



US00D690642S

(12) **United States Design Patent**
Kito

(10) **Patent No.:** **US D690,642 S**
(45) **Date of Patent:** **** Oct. 1, 2013**

(54) **WHEEL FOR AN AUTOMOBILE**

(71) Applicant: **Honda Motor Co., Ltd.**, Tokyo (JP)

(72) Inventor: **Yuuri Kito**, Wako (JP)

(73) Assignee: **Honda Motor Co., Ltd.**, Tokyo (JP)

(**) Term: **14 Years**

(21) Appl. No.: **29/451,946**

(22) Filed: **Apr. 10, 2013**

(30) **Foreign Application Priority Data**

Oct. 12, 2012 (JP) 2012-024822

(51) **LOC (9) Cl.** **12-16**

(52) **U.S. Cl.**
USPC **D12/209**

(58) **Field of Classification Search**
USPC D12/204-213; 301/37.101, 64.101,
301/65, 64.201

See application file for complete search history.

(56) **References Cited**

U.S. PATENT DOCUMENTS

D449,810 S * 10/2001 Hussaini et al. D12/209
D455,697 S * 4/2002 Chung D12/209
D545,261 S * 6/2007 Loohe D12/209

D613,227 S * 4/2010 Mueller-Stolz D12/209
D630,144 S * 1/2011 Chung D12/209
D642,106 S * 7/2011 Antoniadis et al. D12/209
D657,727 S * 4/2012 Fetherston et al. D12/209

FOREIGN PATENT DOCUMENTS

JP 1203451 4/2004

OTHER PUBLICATIONS

Notification of Refusal with translation dated May 31, 2013 issued by the Japanese Patent Office.

* cited by examiner

Primary Examiner — Stacia Cadmus

(74) *Attorney, Agent, or Firm* — Plumsea Law Group, LLC

(57) **CLAIM**

The ornamental design for a wheel for an automobile, as shown and described.

DESCRIPTION

FIG. 1 is a perspective view of a wheel for an automobile, showing my new design; and, FIG. 2 is a front elevation view thereof.

The broken lines are for illustrative purposes only and form no part of the claimed design.

1 Claim, 2 Drawing Sheets

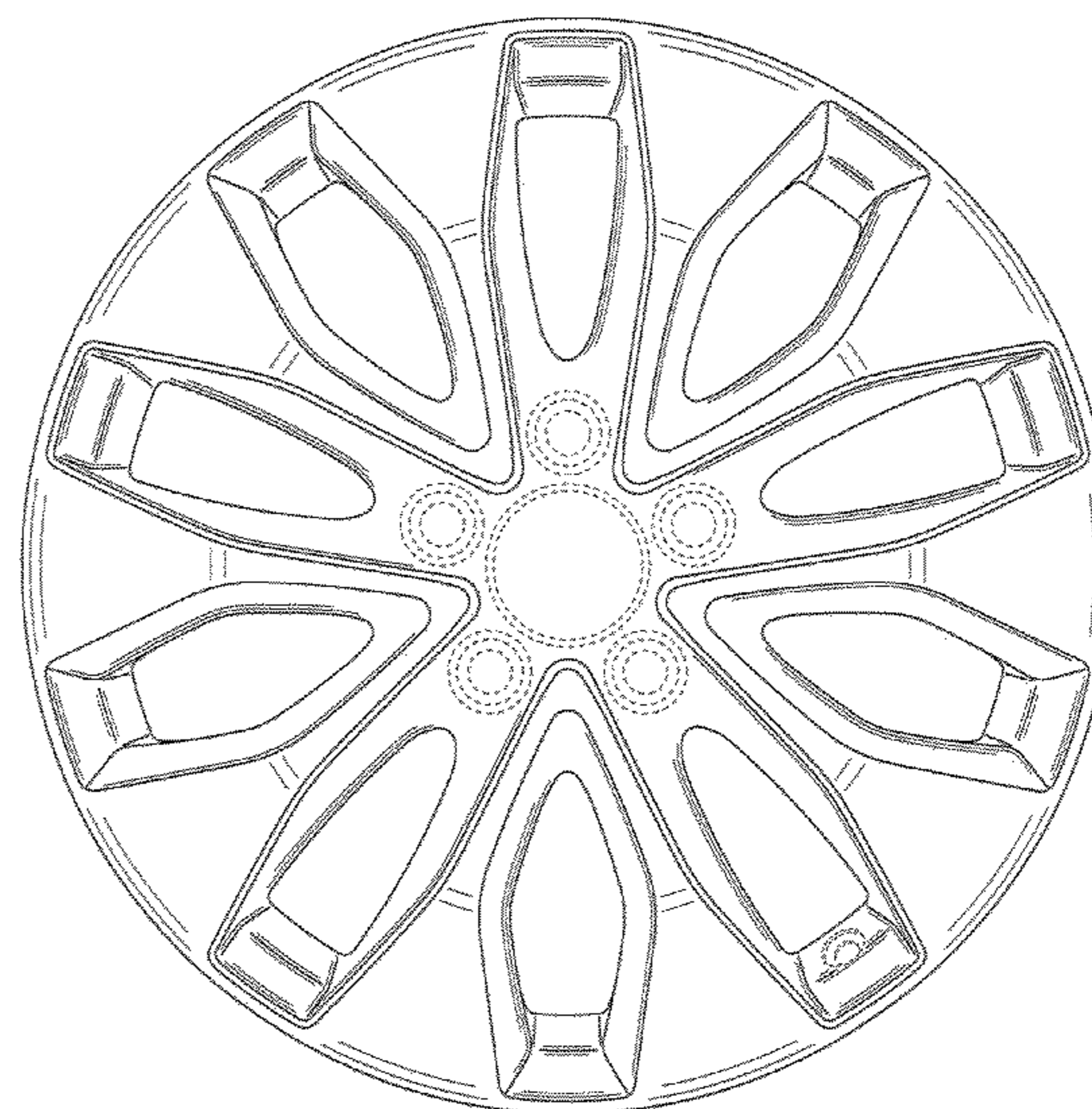
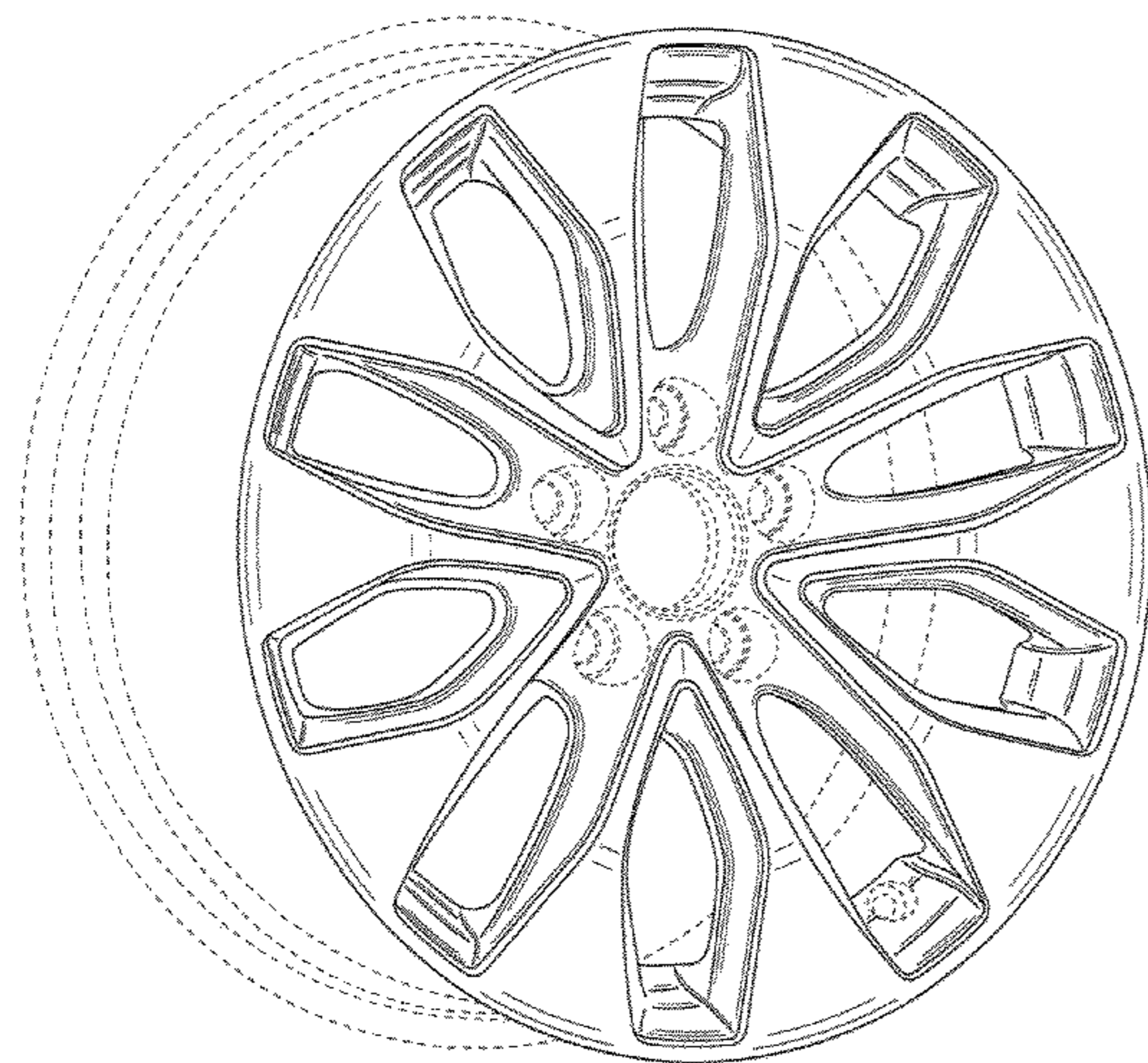


Fig.1

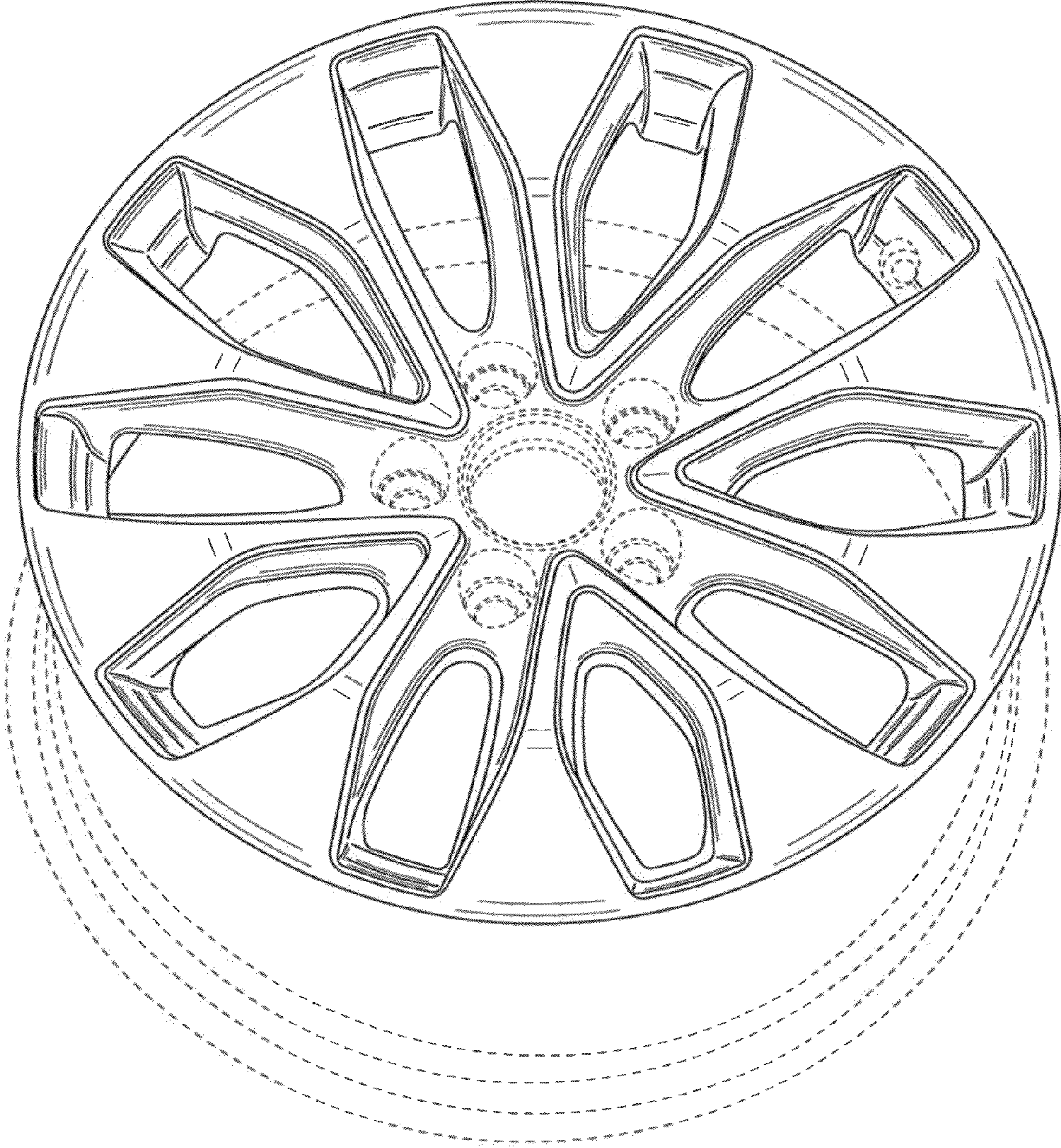


Fig. 2

