



US00D690638S

(12) **United States Design Patent**
Waugh et al.

(10) **Patent No.:** **US D690,638 S**
(45) **Date of Patent:** **** Oct. 1, 2013**

(54) **VEHICLE PANEL**

(75) Inventors: **Darren Trevor Waugh**, Victoria (AU);
Warwick John Drenth, Victoria (AU)

(73) Assignee: **Vehicle Development Corporation Pty Ltd.**, Victoria (AU)

(**) Term: **14 Years**

(21) Appl. No.: **29/406,220**

(22) Filed: **Nov. 10, 2011**

(30) **Foreign Application Priority Data**

May 10, 2011 (AU) 12048/2011

(51) **LOC (9) Cl.** **12-16**

(52) **U.S. Cl.**
USPC **D12/196; D12/195**

(58) **Field of Classification Search**
USPC D12/90-92, 107, 126, 167, 184,
D12/190, 196, 223, 400; 180/89.1, 89.11,
180/89.12, 89.14, 89.16; 280/152.1, 152.3,
280/847-851; 296/181.1, 181.5, 183.1
See application file for complete search history.

(56) **References Cited**

U.S. PATENT DOCUMENTS

D46,184 S * 7/1914 Schneider D12/196
D334,380 S * 3/1993 Henneberger D13/155
D435,237 S * 12/2000 Damon et al. D12/196

D488,758 S * 4/2004 Gough D12/196
D495,645 S * 9/2004 Hall et al. D12/196
D542,199 S * 5/2007 Acton et al. D12/184
D552,532 S * 10/2007 Brockington et al. D12/400
D584,206 S * 1/2009 Mikami et al. D12/184
7,879,424 B2 * 2/2011 Smith et al. 428/71
D646,613 S * 10/2011 Medina et al. D12/196
D653,186 S * 1/2012 Beigel et al. D12/196
8,282,145 B2 * 10/2012 Vasko et al. 296/24.34
2010/0183841 A1 * 7/2010 Mally 428/138

* cited by examiner

Primary Examiner — Philip S Hyder

Assistant Examiner — Darlington Ly

(74) *Attorney, Agent, or Firm* — Allen, Dyer, Doppelt,
Milbrath & Gilchrist, P.A.

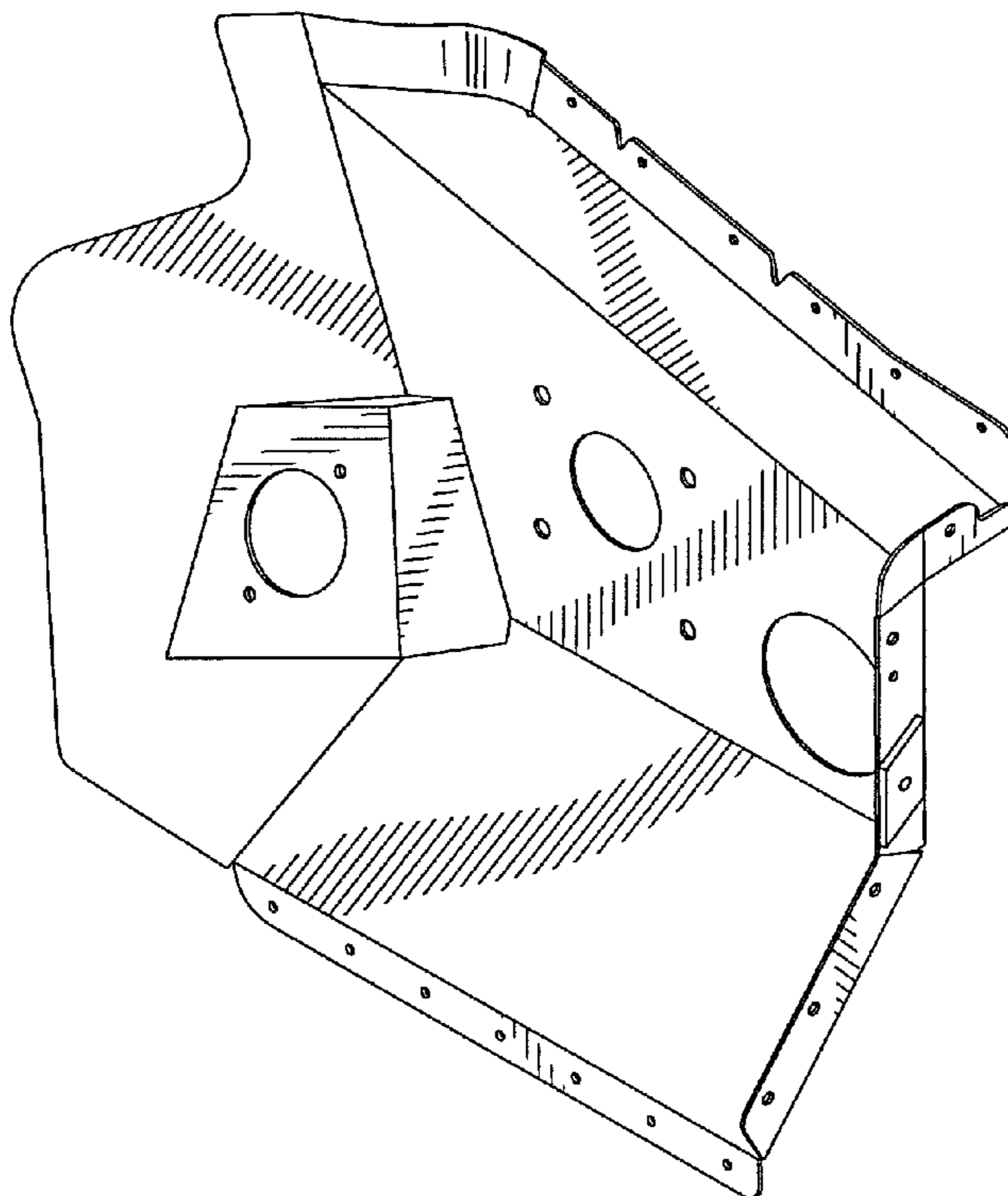
(57) **CLAIM**

The ornamental design for a vehicle panel, as shown and described.

DESCRIPTION

FIG. 1 is a front, isometric view of the vehicle panel according to the present design;
FIG. 2 is a top view of the vehicle panel of FIG. 1;
FIG. 3 is a right side view of the vehicle panel of FIG. 1;
FIG. 4 is a left side view of the vehicle panel of FIG. 1;
FIG. 5 is a front view of the vehicle panel of FIG. 1;
FIG. 6 is a rear view of the vehicle panel of FIG. 1; and,
FIG. 7 is a bottom view of the vehicle panel of FIG. 1.
The vehicle panel is to provide an internal vehicle firewall between the passenger cabin and the engine compartment.

1 Claim, 7 Drawing Sheets



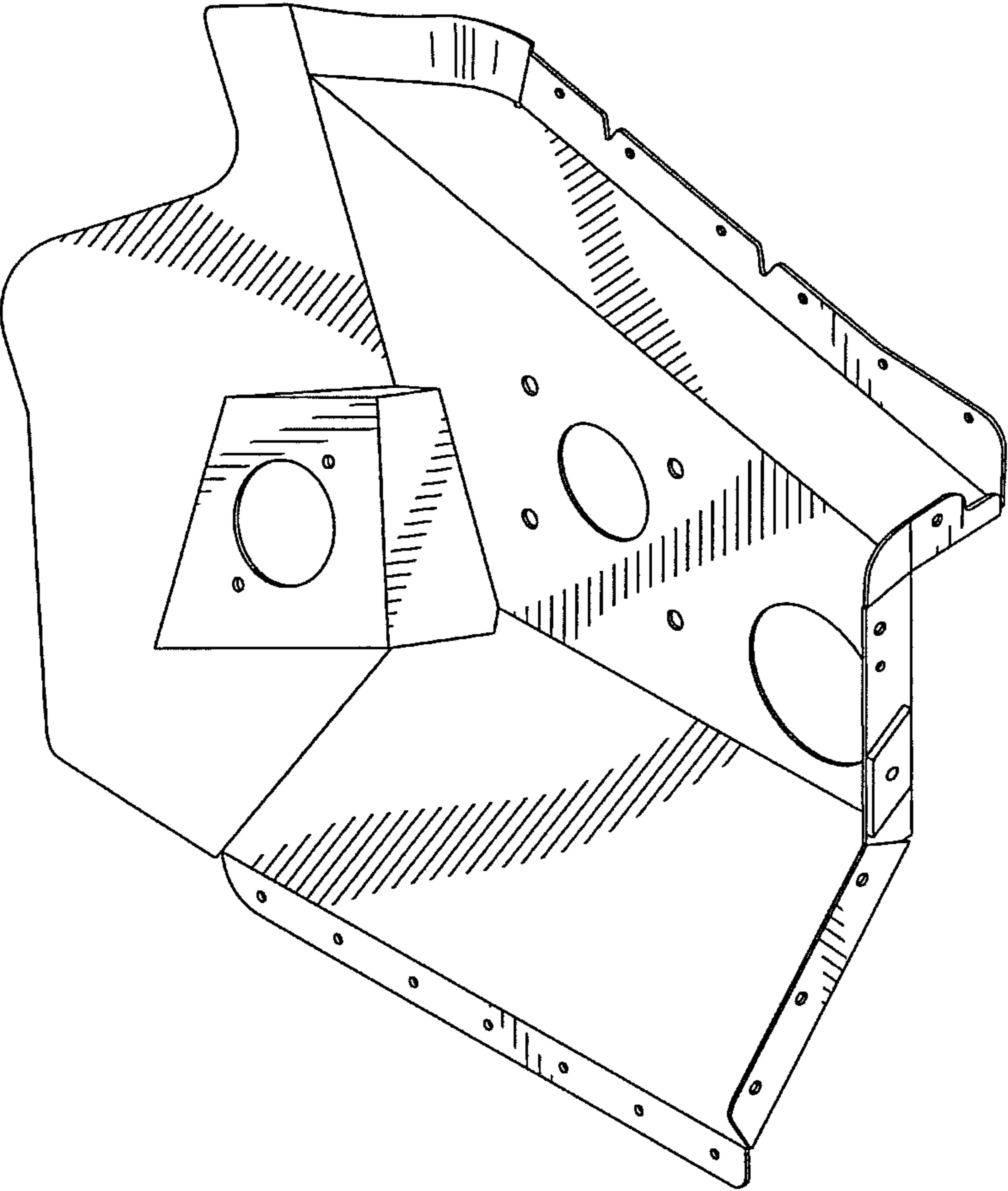


FIG. 1

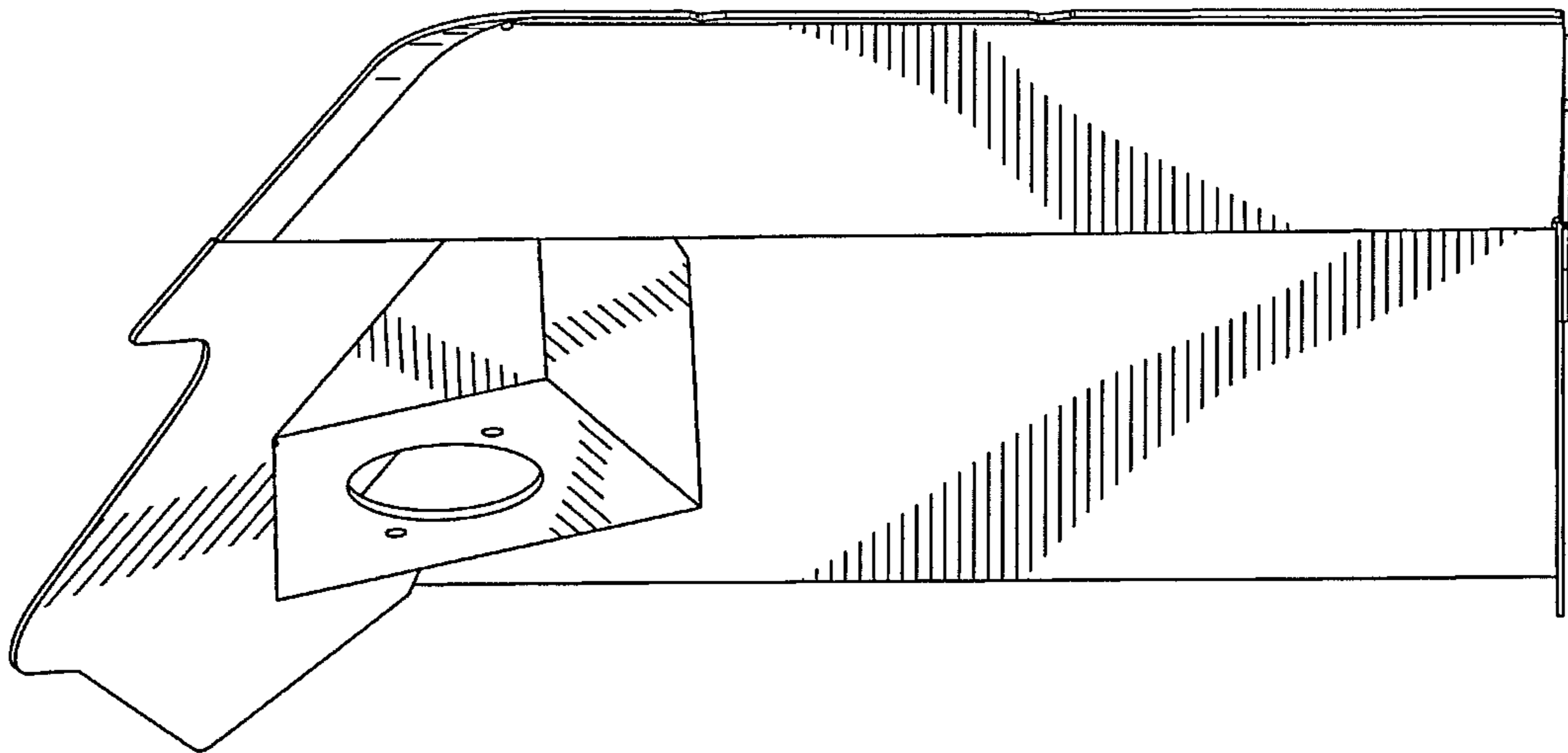


FIG. 2

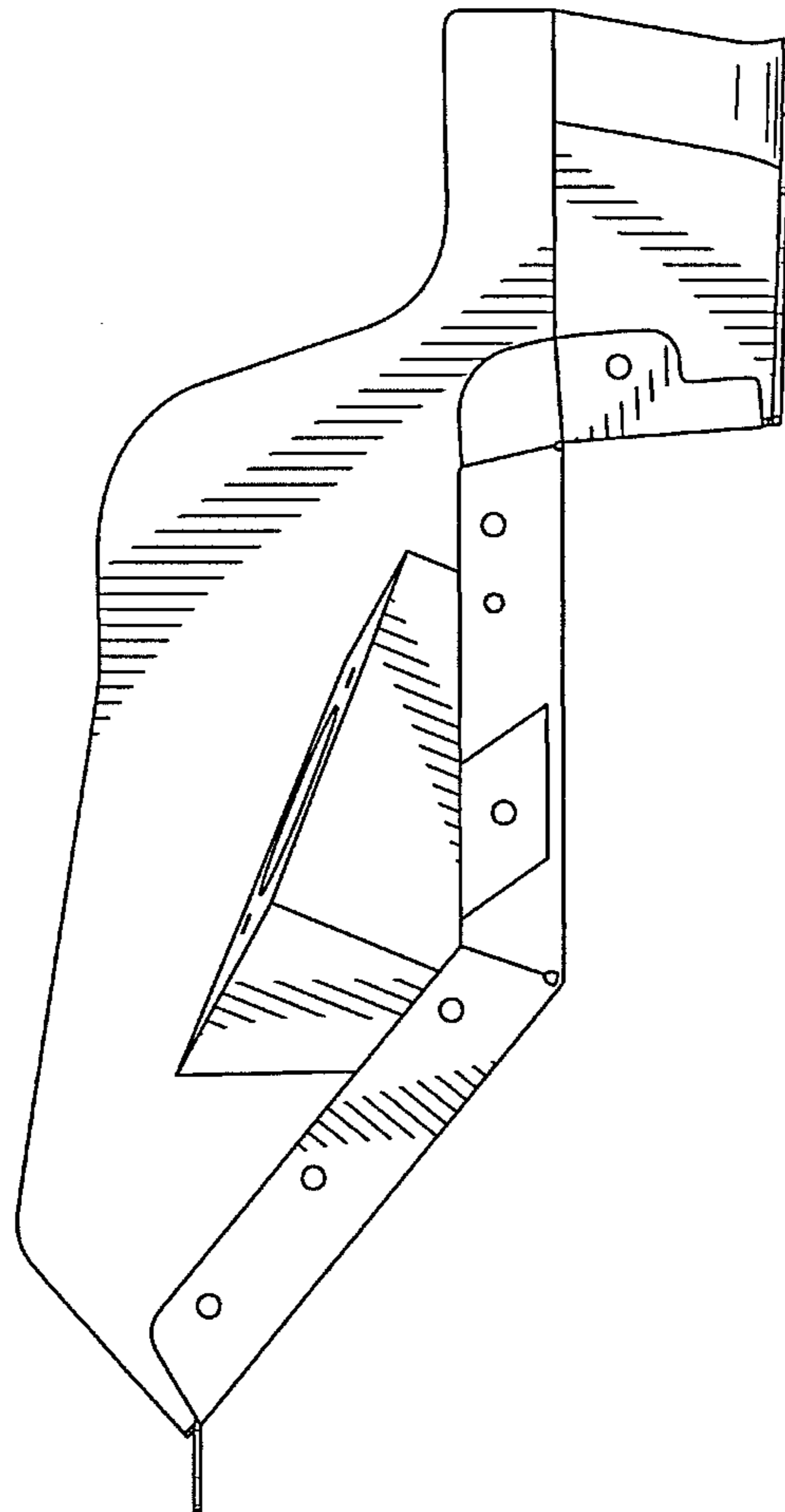


FIG. 3

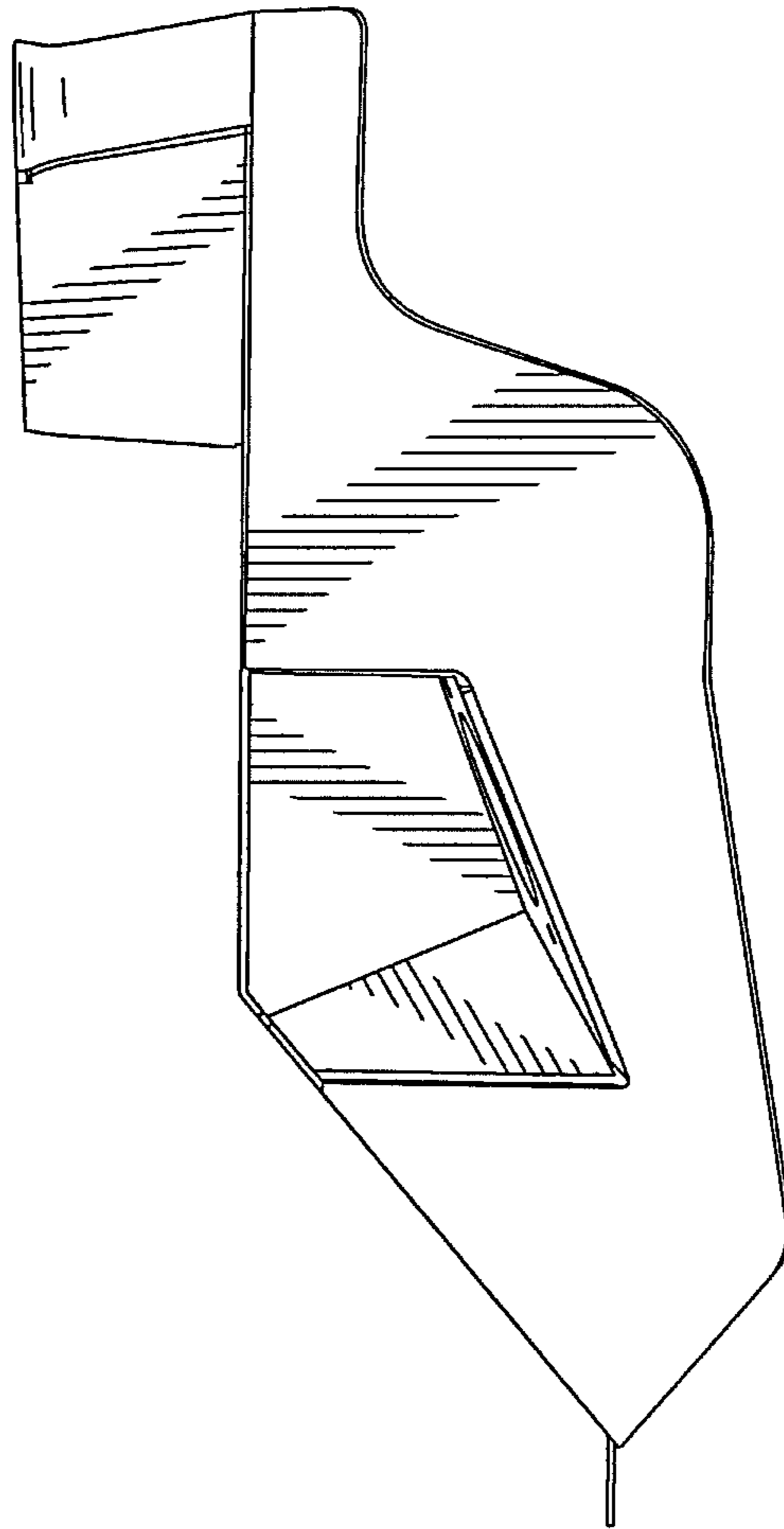


FIG. 4

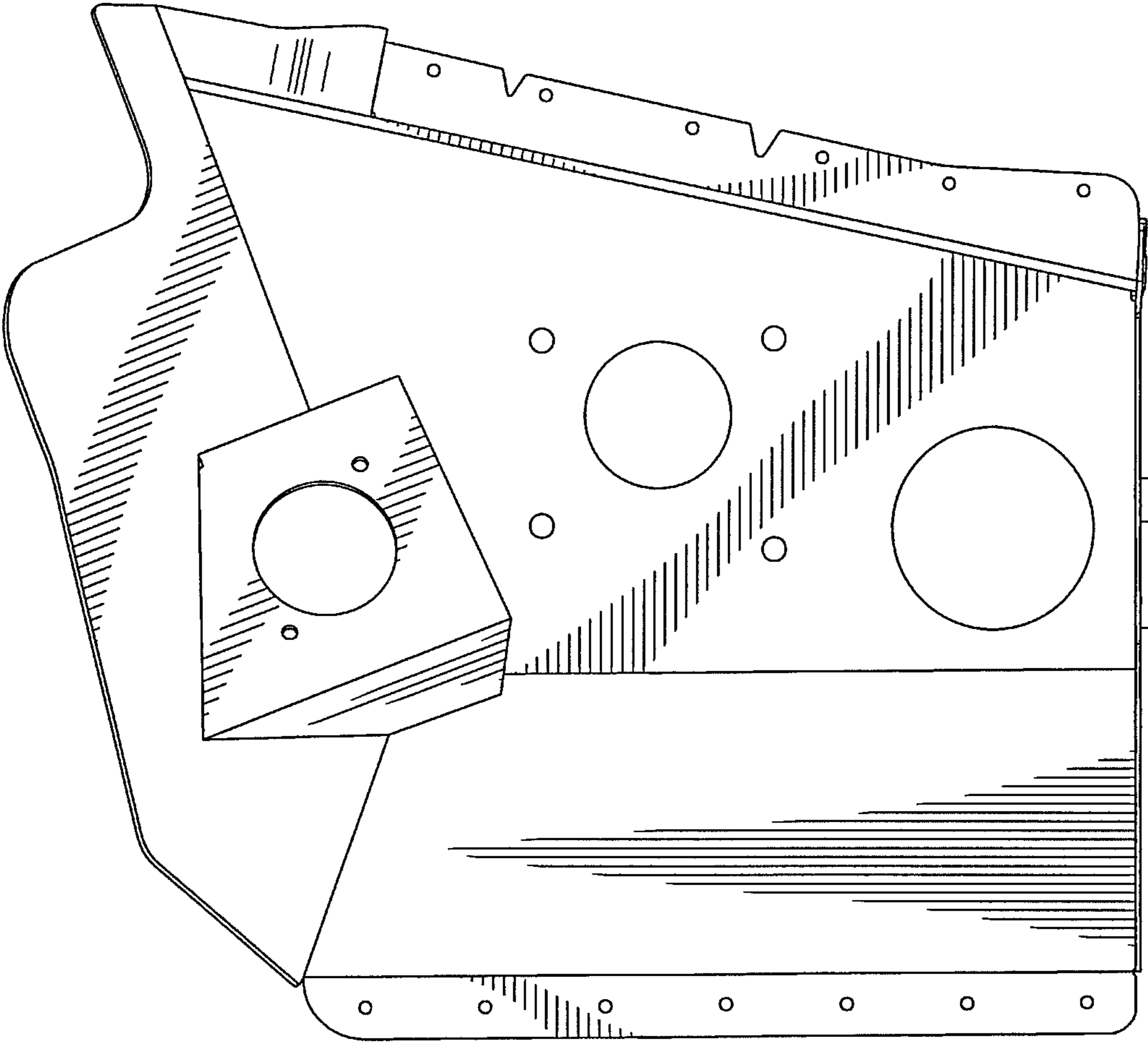


FIG. 5

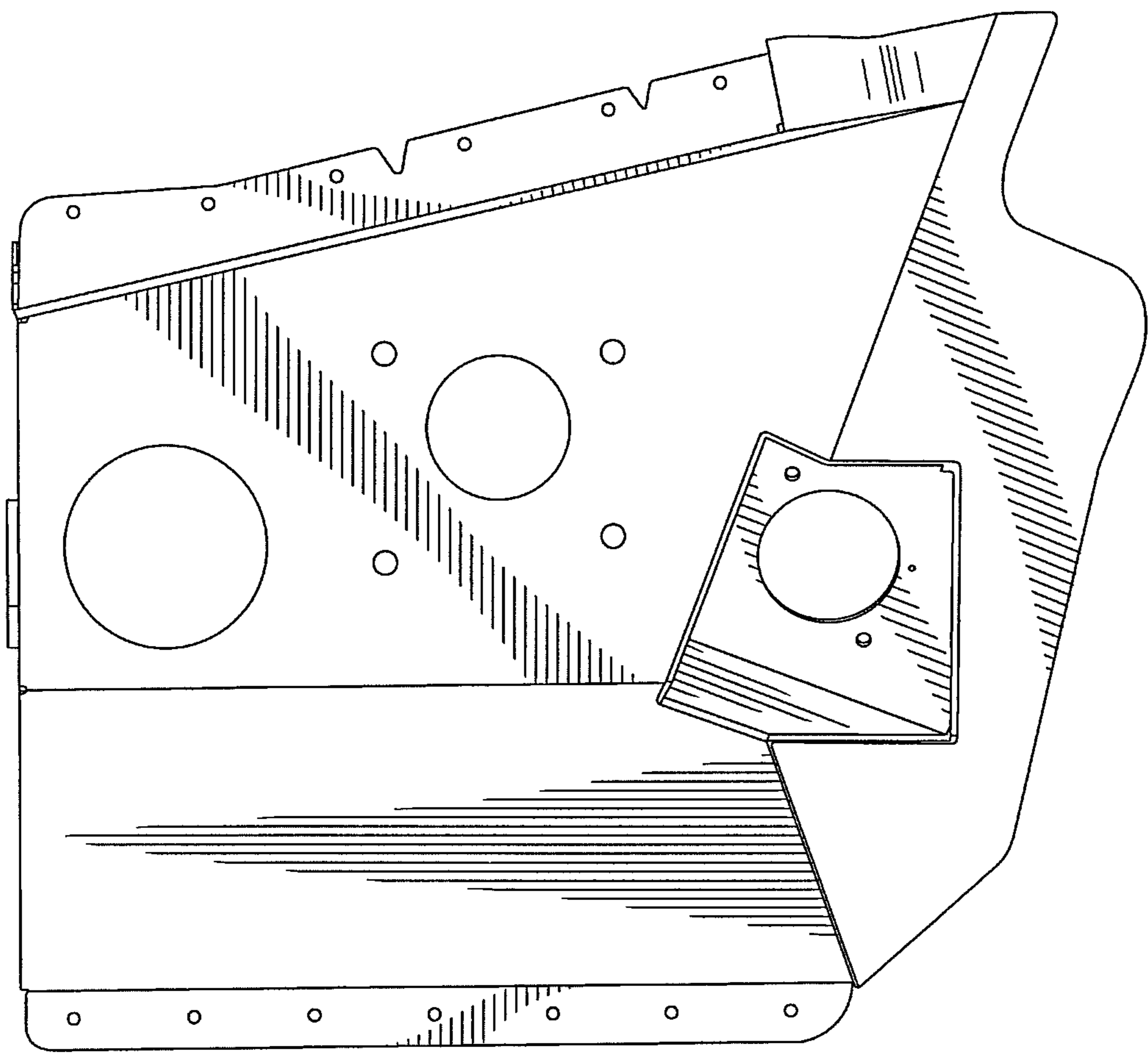


FIG. 6

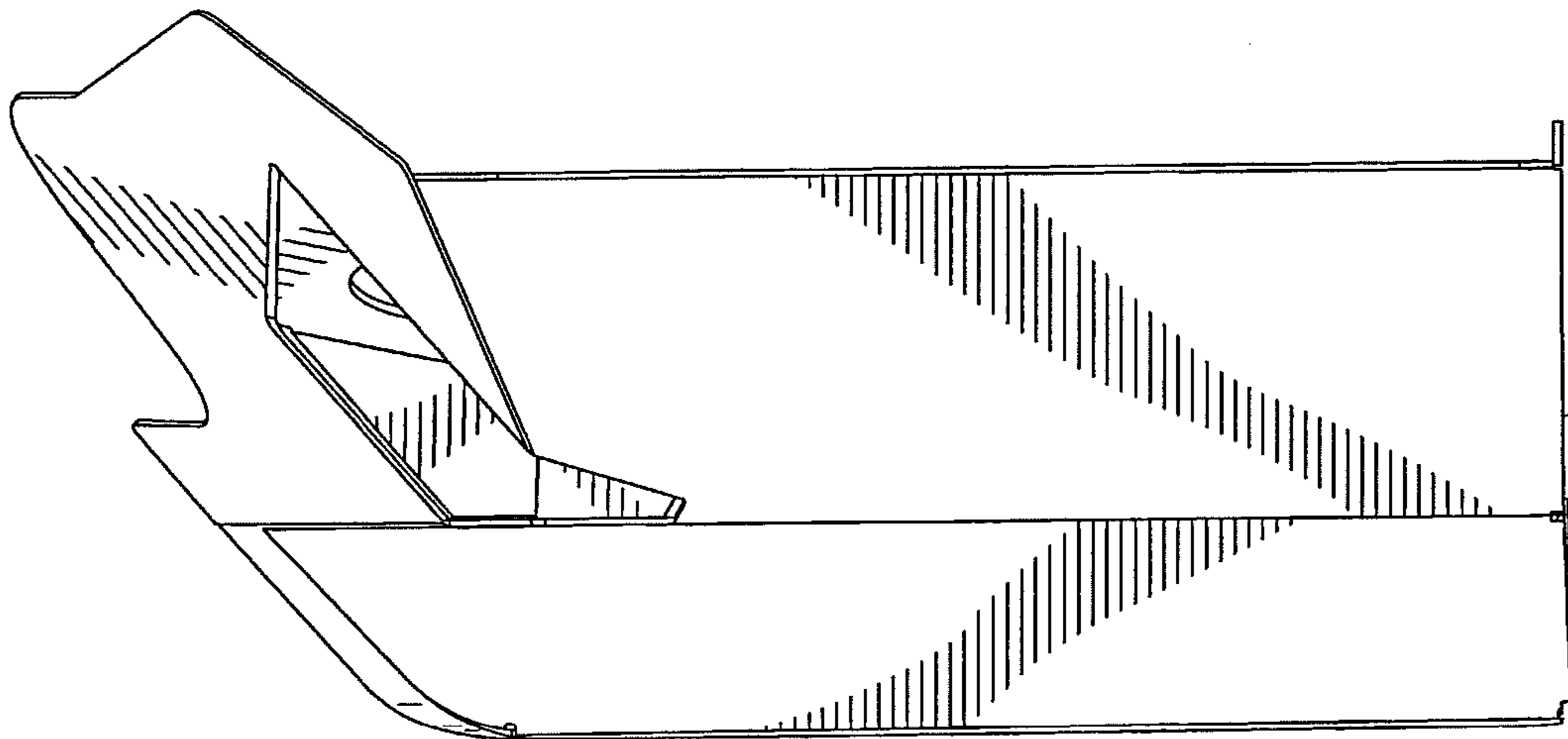


FIG. 7