



US00D690637S

(12) **United States Design Patent**
O'Donnell et al.

(10) **Patent No.:** **US D690,637 S**

(45) **Date of Patent:** **** Oct. 1, 2013**

(54) **VEHICLE SIDE MIRROR ASSEMBLY**

(71) Applicant: **GM Global Technology Operations LLC**, Detroit, MI (US)

(72) Inventors: **Kevin M. O'Donnell**, Beverly Hills, MI (US); **Junglim Huh**, Rochester Hills, MI (US)

(73) Assignee: **GM Global Technology Operations LLC**, Detroit, MI (US)

(**) Term: **14 Years**

(21) Appl. No.: **29/451,146**

(22) Filed: **Mar. 28, 2013**

(51) **LOC (9) Cl.** **12-16**

(52) **U.S. Cl.**
USPC **D12/187**

(58) **Field of Classification Search**
USPC D12/187, 188-189; D6/300, 309;
359/838, 841, 842, 843, 844, 868, 871, 604,
359/881, 514, 866; 248/479-483, 475.1
See application file for complete search history.

(56) **References Cited**

U.S. PATENT DOCUMENTS

6,488,382 B1 * 12/2002 Mertens 359/871

D552,019	S	*	10/2007	Kubota et al.	D12/187
D572,643	S	*	7/2008	Imai et al.	D12/187
D598,349	S	*	8/2009	Kato et al.	D12/187
D606,469	S	*	12/2009	Varga	D12/187
D621,313	S	*	8/2010	Kimura et al.	D12/187
D631,414	S	*	1/2011	Hakamata	D12/187
D653,595	S	*	2/2012	Matsubara et al.	D12/187
D666,542	S	*	9/2012	Asano et al.	D12/187
2006/0050423	A1	*	3/2006	Secanu et al.	359/871
2009/0268321	A1	*	10/2009	Wilson	359/868
2010/0195228	A1	*	8/2010	Sinelli et al.	359/866

* cited by examiner

Primary Examiner — Katrina A Betton

(74) *Attorney, Agent, or Firm* — Parks IP Law LLC

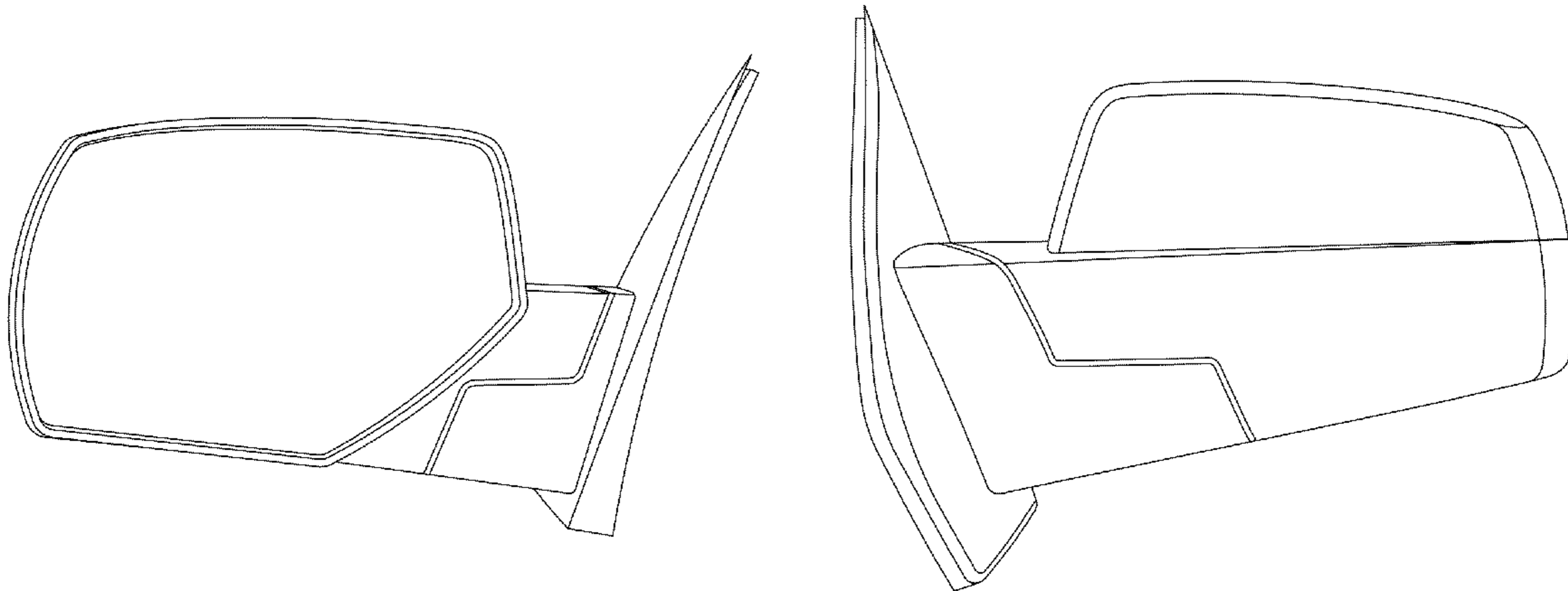
(57) **CLAIM**

The ornamental design for a vehicle side mirror assembly, as shown and described.

DESCRIPTION

FIG. 1 is perspective view of a vehicle side mirror assembly showing the new design;
FIG. 2 is a front view, thereof;
FIG. 3 is a rear view, thereof;
FIG. 4 is a side view, thereof; and,
FIG. 5 is a top plan view, thereof.

1 Claim, 2 Drawing Sheets



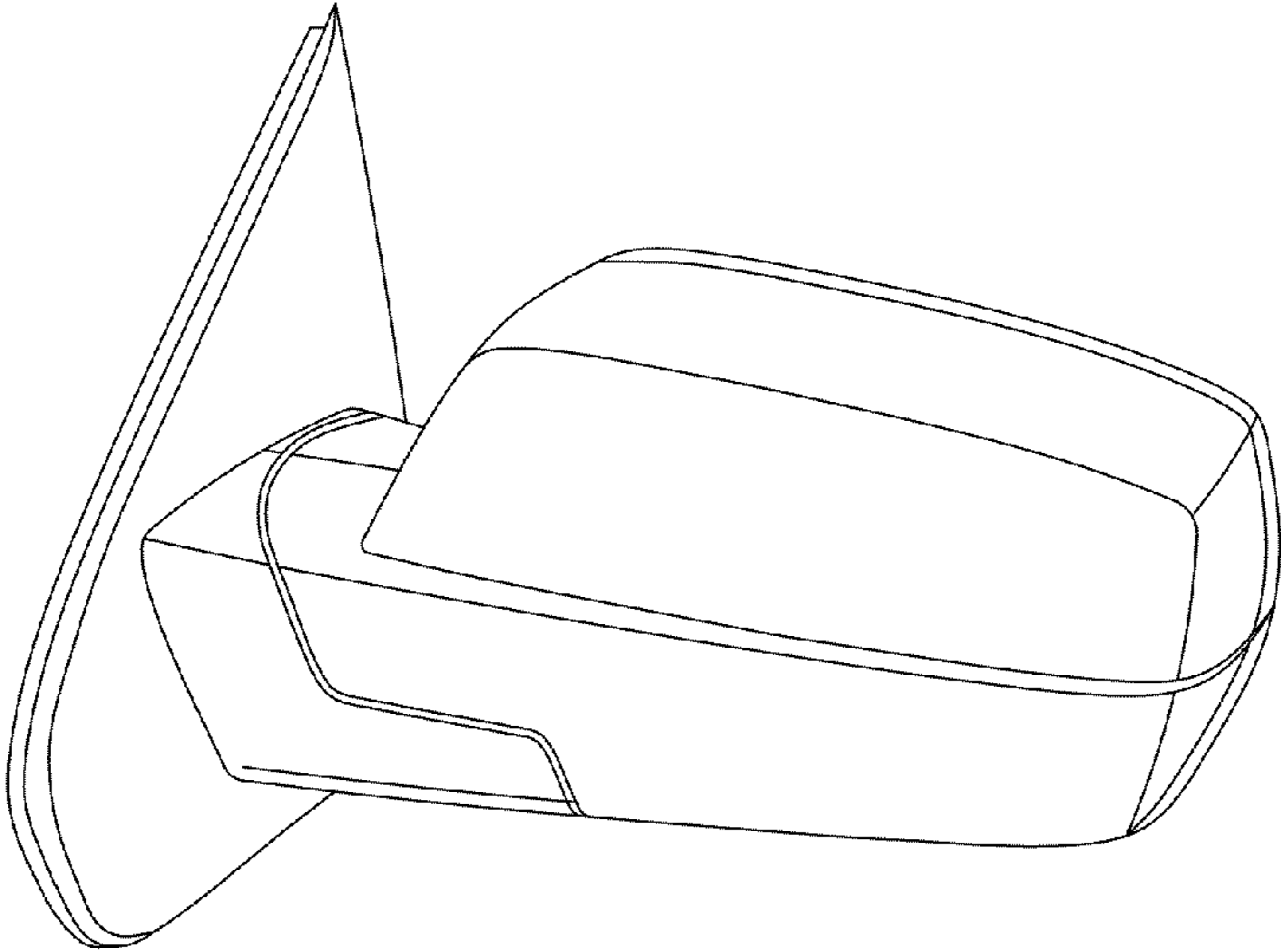


Fig-1

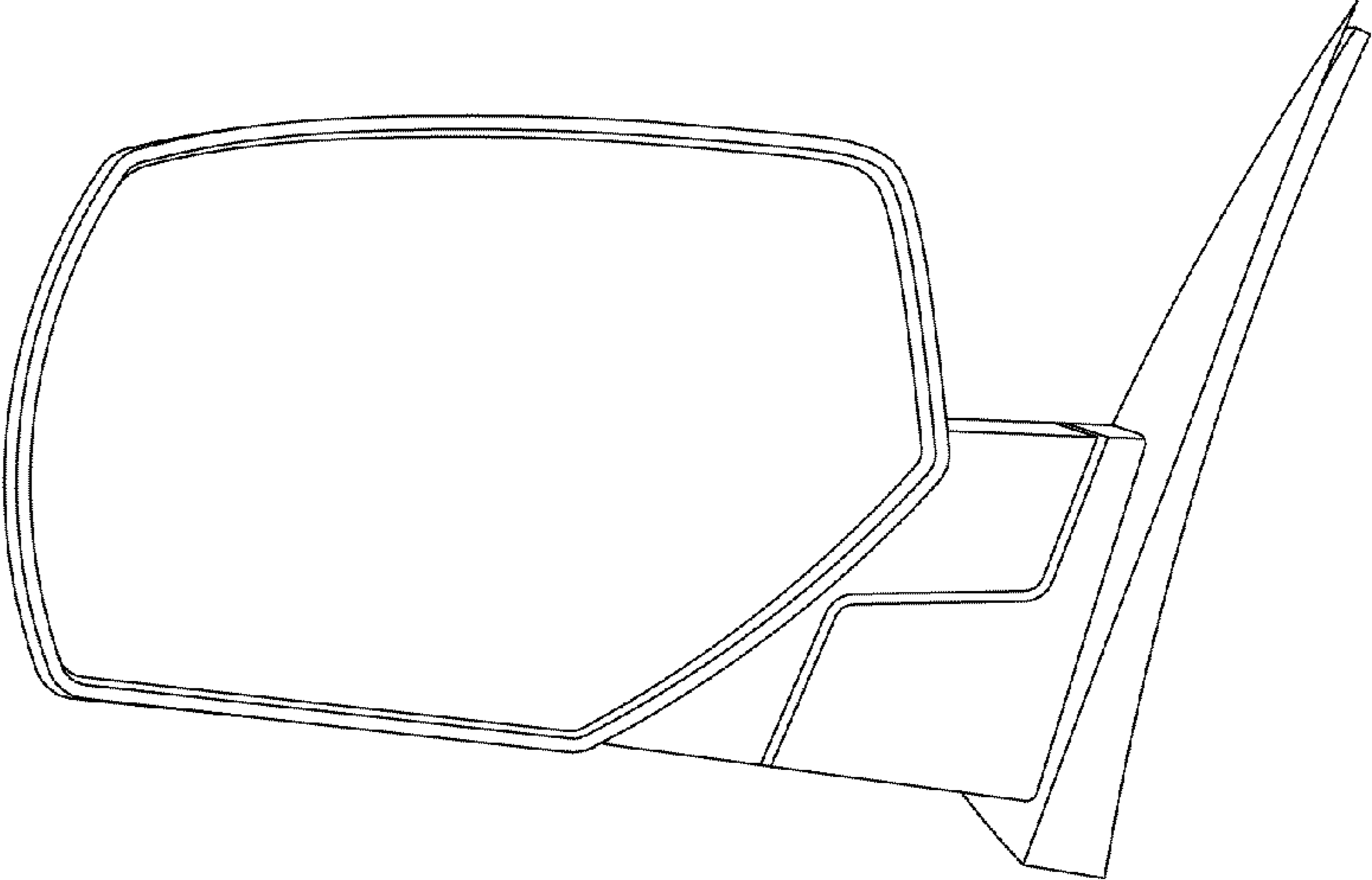


Fig-2

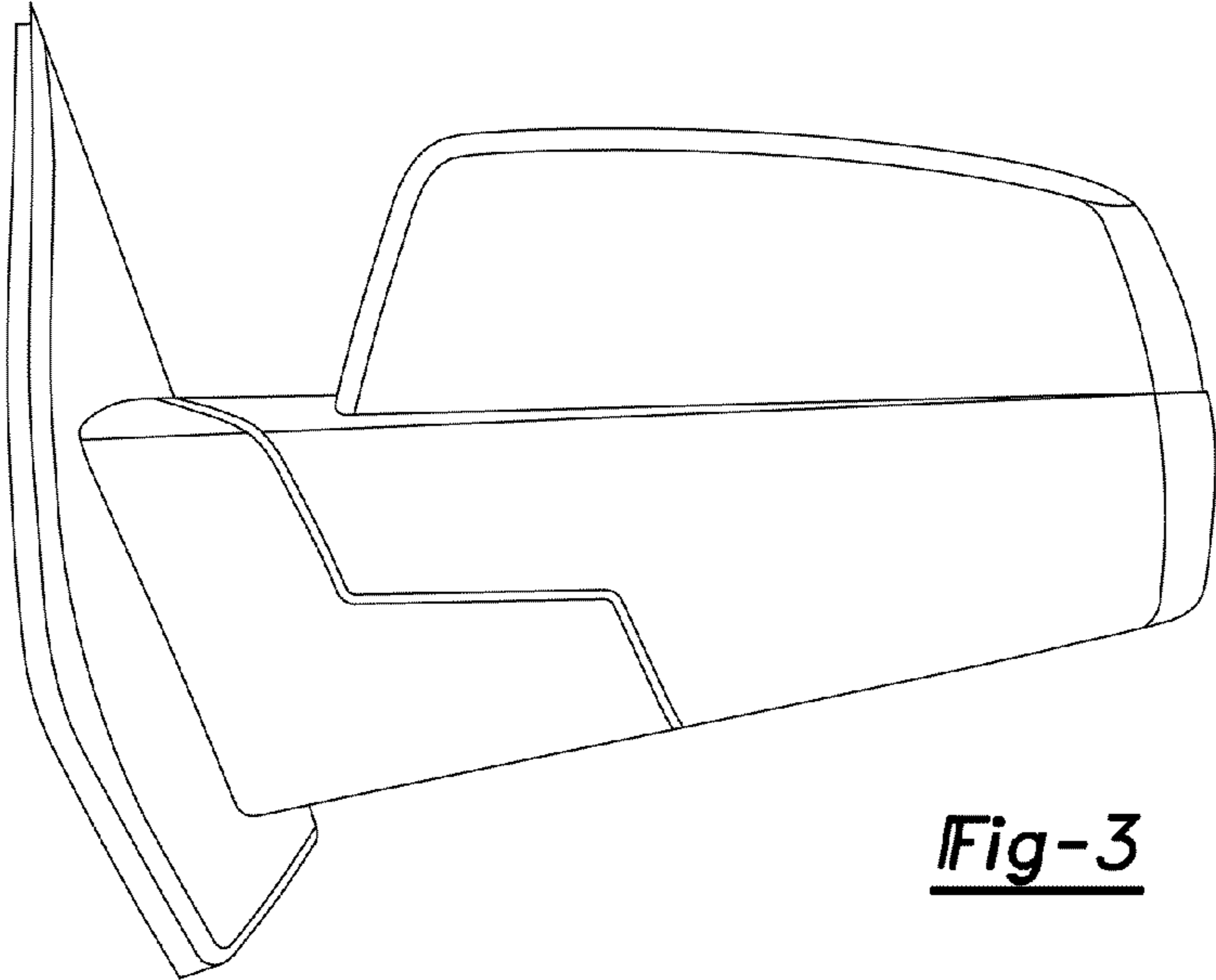


Fig-3

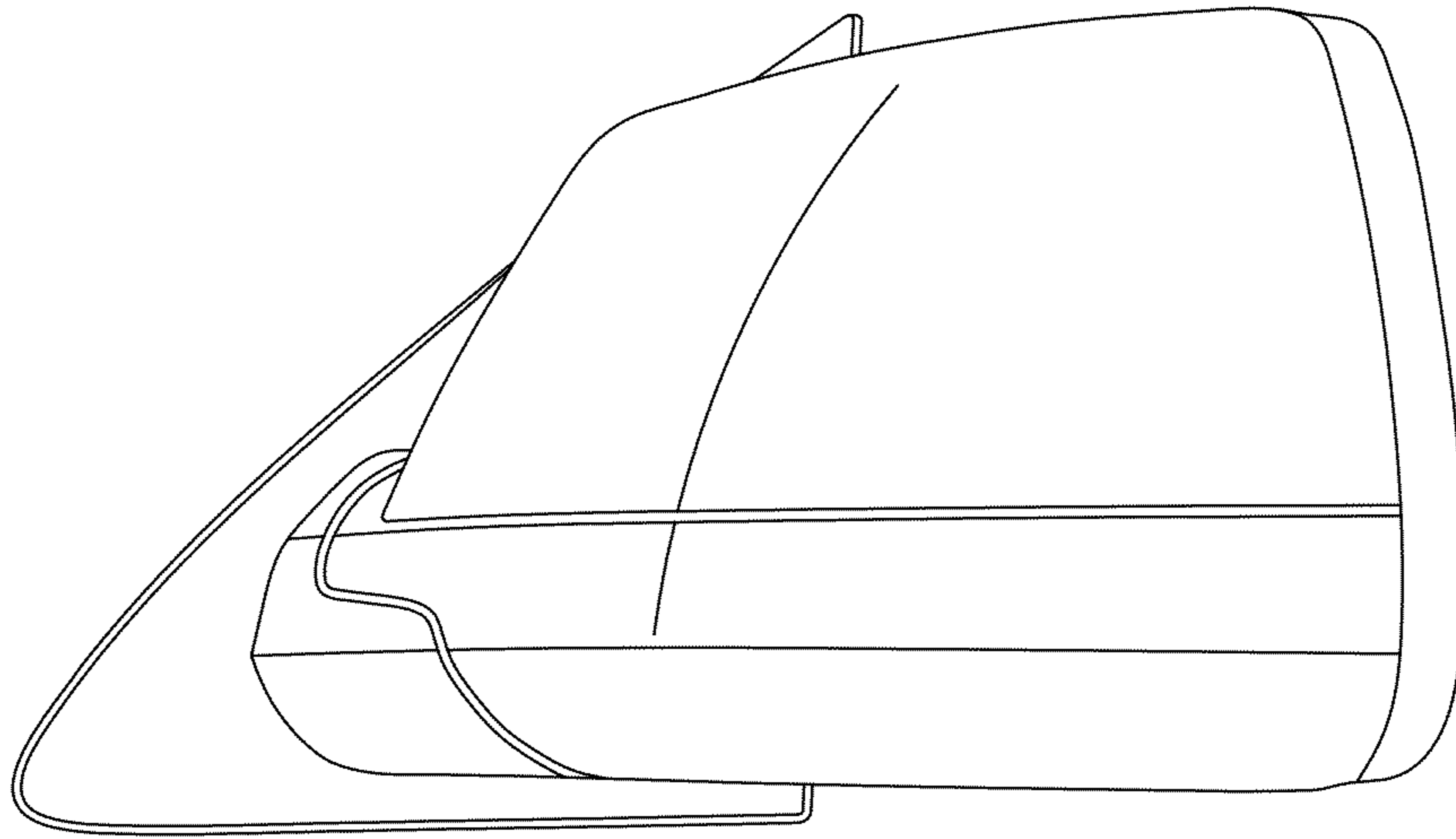


Fig-4

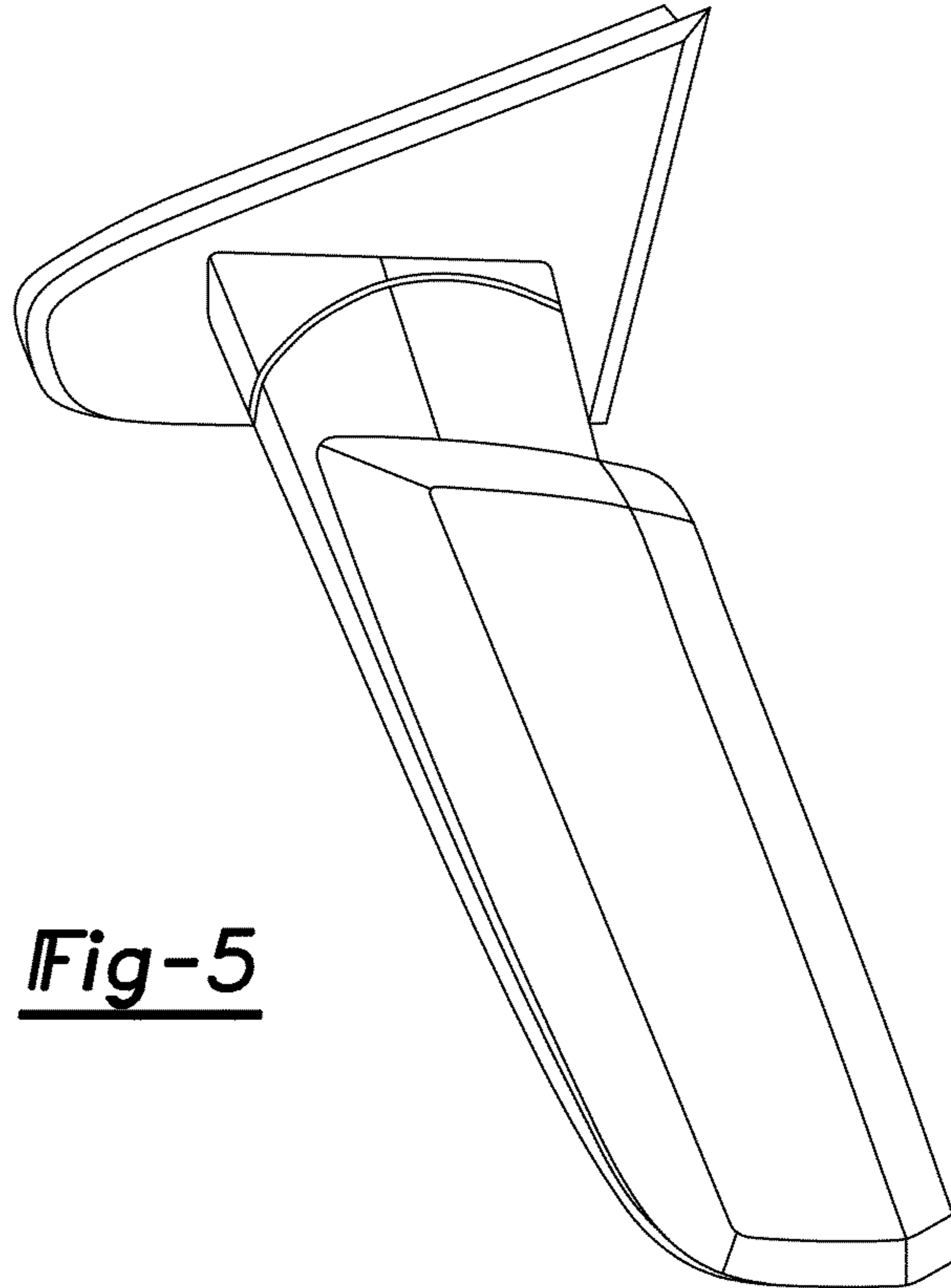


Fig-5