

US00D690634S

(12) **United States Design Patent**
Joseph

(10) **Patent No.:** **US D690,634 S**

(45) **Date of Patent:** **** Oct. 1, 2013**

- (54) **SLOTTED DISC BRAKE ROTOR**
- (75) Inventor: **Phillip Joseph, Silverwater (AU)**
- (73) Assignee: **Disc Brakes Australia Pty Limited, Silverwater (AU)**
- (**) Term: **14 Years**
- (21) Appl. No.: **29/394,809**
- (22) Filed: **Jun. 21, 2011**
- (30) **Foreign Application Priority Data**
Dec. 22, 2010 (AU) 15656/2010
- (51) **LOC (9) Cl.** **12-16**
- (52) **U.S. Cl.**
USPC **D12/180; 188/18 A**
- (58) **Field of Classification Search**
USPC D12/180; 188/218 R, 21 XL, 264 A,
188/264 AA, 18 A; 192/107 R, 113.36
See application file for complete search history.
- (56) **References Cited**

U.S. PATENT DOCUMENTS

1,717,522	A *	6/1929	Rosenberg	188/264 A
5,544,726	A *	8/1996	Topouzian et al.	188/264 A
5,626,211	A *	5/1997	Gewelber et al.	188/218 XL
D381,609	S *	7/1997	Ohata et al.	D12/180
D381,610	S *	7/1997	Ohata et al.	D12/180
D413,092	S *	8/1999	Johnson et al.	D12/180
D413,093	S *	8/1999	Johnson et al.	D12/180
D416,526	S *	11/1999	Hsu	D12/180

D456,326	S *	4/2002	York	D12/180
D459,282	S *	6/2002	Oberti	D12/180
D476,608	S *	7/2003	Nadal Aloy	D12/180
D508,666	S *	8/2005	Cornolti et al.	D12/180
D508,882	S *	8/2005	Cornolti et al.	D12/180
D509,173	S *	9/2005	Cornolti et al.	D12/180
6,957,726	B2 *	10/2005	Gehrs	188/218 XL
7,097,006	B2 *	8/2006	Veneziano et al.	188/218 XL
7,097,007	B2 *	8/2006	Lin	188/218 XL
D557,187	S *	12/2007	Johnson et al.	D12/180
7,950,505	B2 *	5/2011	Suppiah	188/264 AA
D640,620	S *	6/2011	Bielis et al.	D12/180
2001/0040077	A1 *	11/2001	Qian et al.	188/218 XL
2004/0140164	A1 *	7/2004	Burgoon et al.	188/218 R
2004/0200675	A1 *	10/2004	Lin	188/71.1
2005/0082125	A1 *	4/2005	Gehrs	188/218 XL
2007/0181390	A1 *	8/2007	Korm	188/218 XL
2008/0142319	A1 *	6/2008	Manter	188/218 XL

* cited by examiner

Primary Examiner — Phillip S Hyder

(74) *Attorney, Agent, or Firm* — Knobbe, Martens, Olson & Bear, LLP

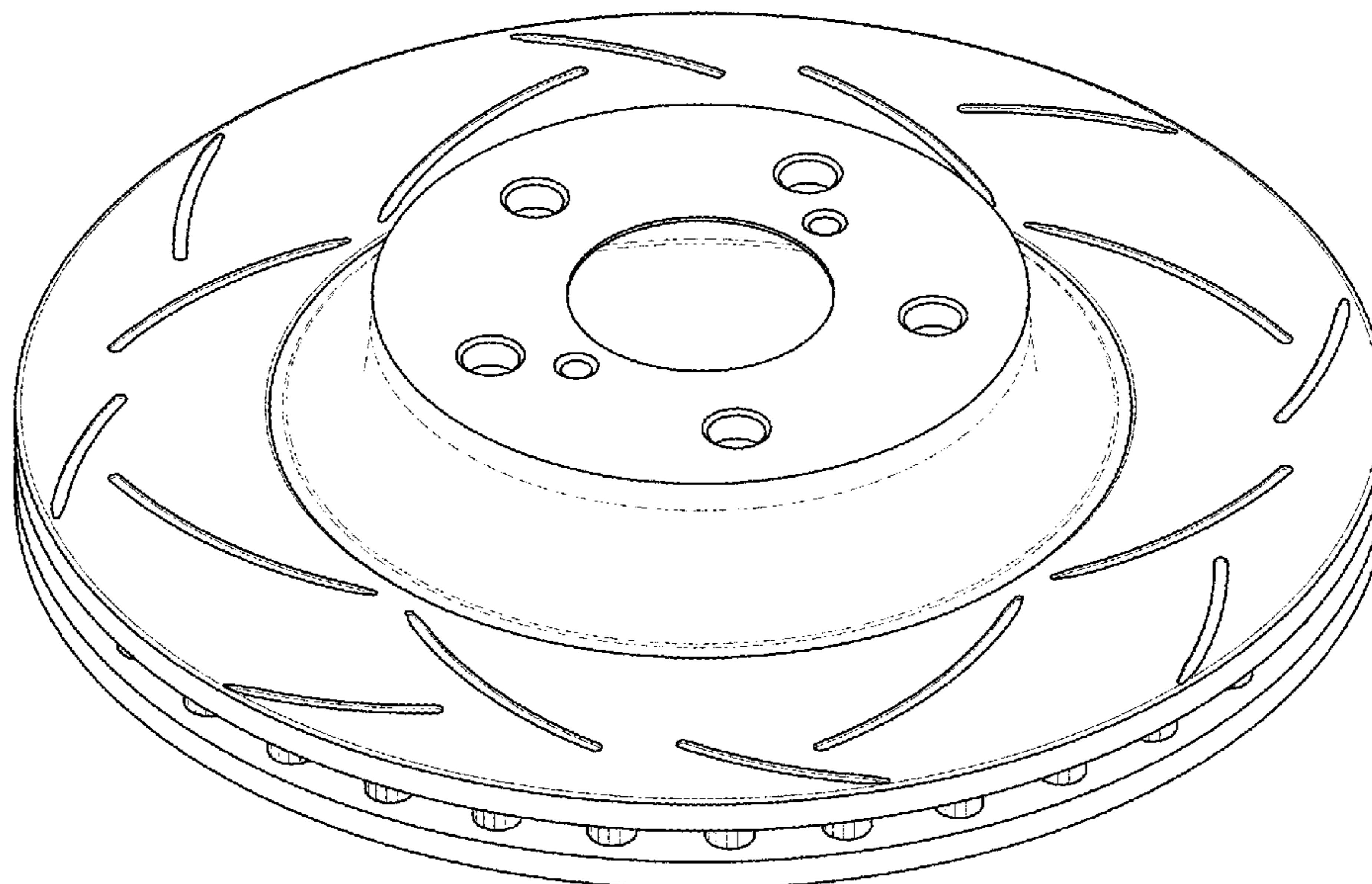
(57) **CLAIM**

The ornamental design for a slotted disc brake rotor, as shown and described.

DESCRIPTION

FIG. 1 is a perspective view of the slotted disc brake rotor of the present invention; and, FIG. 2 is a front view of the slotted disc brake rotor of FIG. 1. The broken lines shown illustrate portions of the slotted disk brake rotor that form no part of the claimed design.

1 Claim, 2 Drawing Sheets



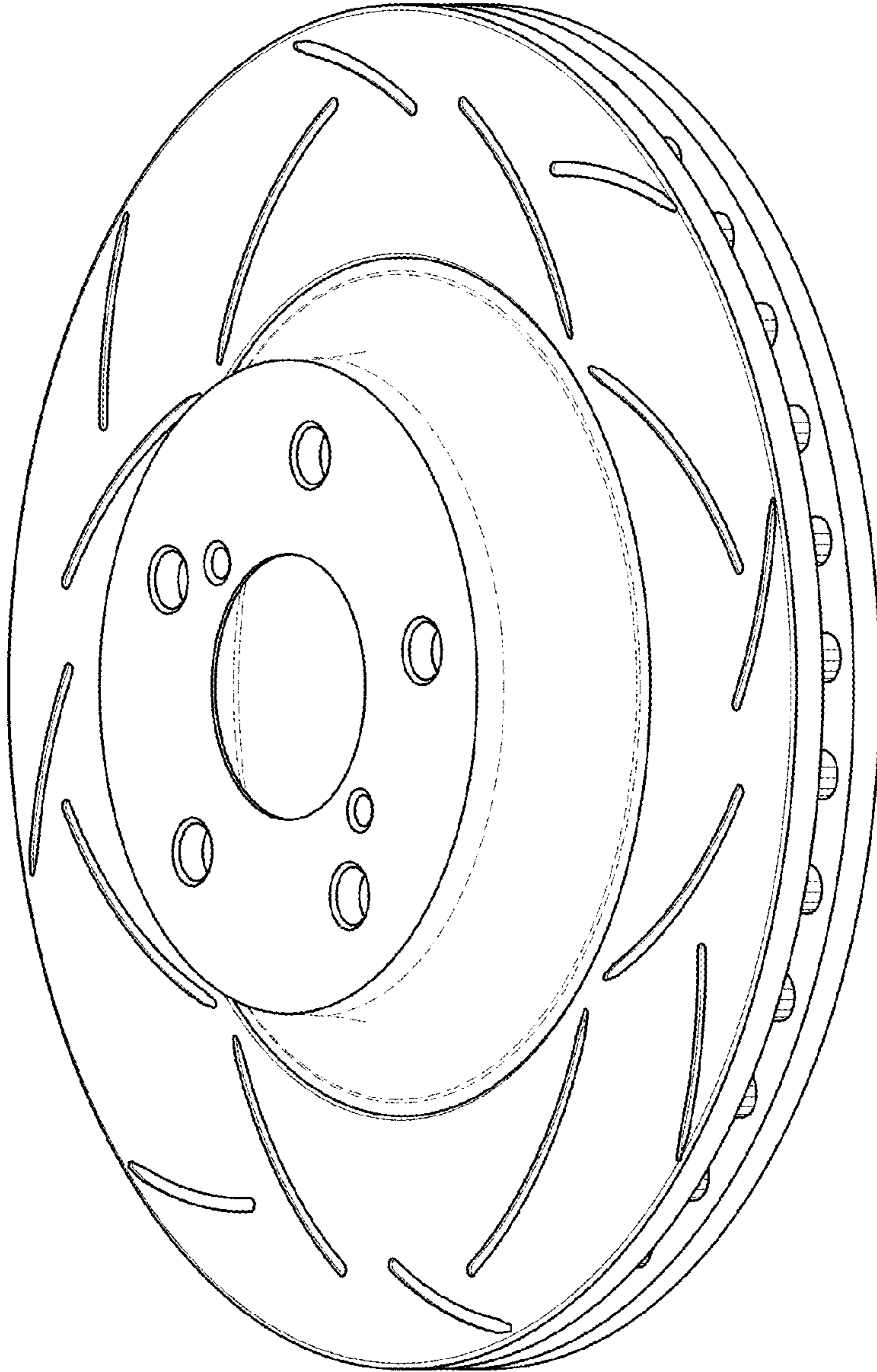


FIG. 1

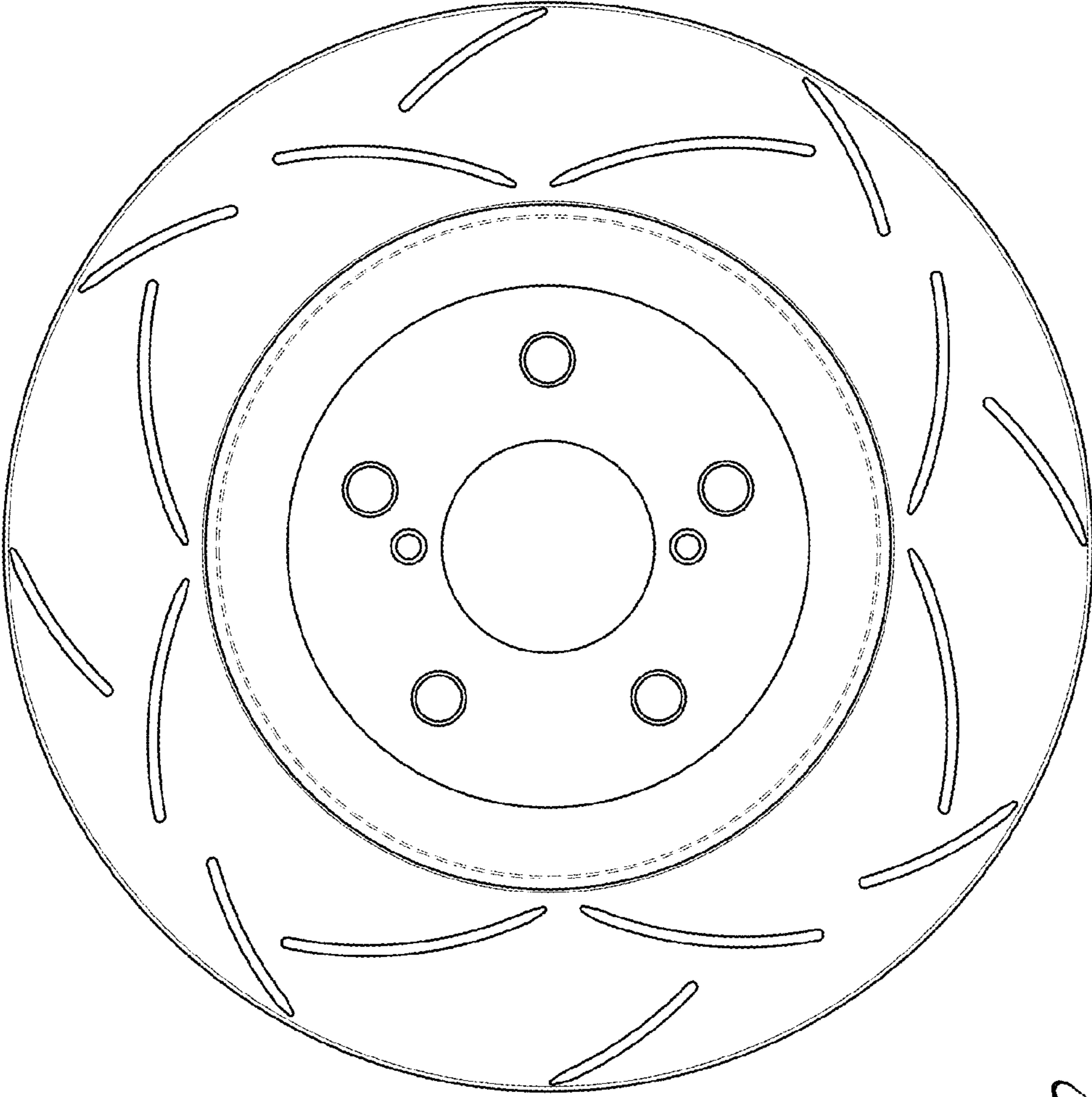


FIG. 2