

US00D690622S

(12) **United States Design Patent**
Bruce

(10) **Patent No.:** **US D690,622 S**
(45) **Date of Patent:** **** Oct. 1, 2013**

(54) **MOTORCYCLE, TOY, OR REPLICA THEREOF**

D517,959 S * 3/2006 Pickering D12/110
D614,083 S 4/2010 Wainfan
D663,242 S 7/2012 Zhang et al.
8,328,218 B2 12/2012 Rush

(71) Applicant: **Alpha Motors Company Limited**,
Beijing (CN)

(72) Inventor: **Ian A. Bruce**, Dana Point, CA (US)

(73) Assignee: **Alpha Motors Company Limited**,
Tortola (VG)

(**) Term: **14 Years**

(21) Appl. No.: **29/432,717**

(22) Filed: **Sep. 19, 2012**

(51) **LOC (9) Cl.** **12-11**

(52) **U.S. Cl.**
USPC **D12/110**

(58) **Field of Classification Search**
USPC D12/85, 88-93, 107, 110, 112; 180/210,
180/215, 217, 65.1; D21/424, 433, 435,
D21/550

See application file for complete search history.

(56) **References Cited**

U.S. PATENT DOCUMENTS

D242,696 S * 12/1976 Keyes D12/85
D245,077 S 7/1977 Newell
D262,956 S 2/1982 McNab et al.
D268,920 S 5/1983 Bragdon
D274,398 S * 6/1984 Keyes D12/85
D275,381 S 9/1984 Fernandes et al.
D293,697 S 1/1988 Thornalley
5,685,388 A 11/1997 Bothwell et al.
5,806,622 A 9/1998 Murphy
D404,688 S 1/1999 Hanagan et al.
D407,348 S * 3/1999 Riley D12/85
5,960,901 A 10/1999 Hanagan
D484,439 S * 12/2003 Hanagan et al. D12/85
6,685,208 B1 2/2004 Cowie

OTHER PUBLICATIONS

Notice of Allowance in U.S. Appl. No. 29/432,720, mailed Apr. 26, 2013. [9 pages].

Office Action for U.S. Appl. No. 29/432,714, mailed Apr. 9, 2013 [6 pages].

Szondy, David. Vauxhall/Opel to unveil two-seater EV Concept. Gizmag.com. Sep. 12, 2011 [online], [retrieved on Feb. 4, 2013]. Retrieved from the Internet <URL:http://www.gizmag.com/vauxhall-ev-concept/19773/>.

Williams, Stephen. Opel-Vauxhall Concept Joins Suddenly Crowded E.V. Runabout Segment. The New York Times. Sep. 8, 2011 [online], [retrieved on Feb. 4, 2013]. Retrieved from the Internet <URL:http://wheels.blogs.nytimes.com/2011/09/08/opei-vauxhall-concept-joins-suddenly-crowded-e-v-runabout-segment/>.

(Continued)

Primary Examiner — Susan M Lee

Assistant Examiner — Linda G Brooks

(74) *Attorney, Agent, or Firm* — Leydig, Voit & Mayer LLP

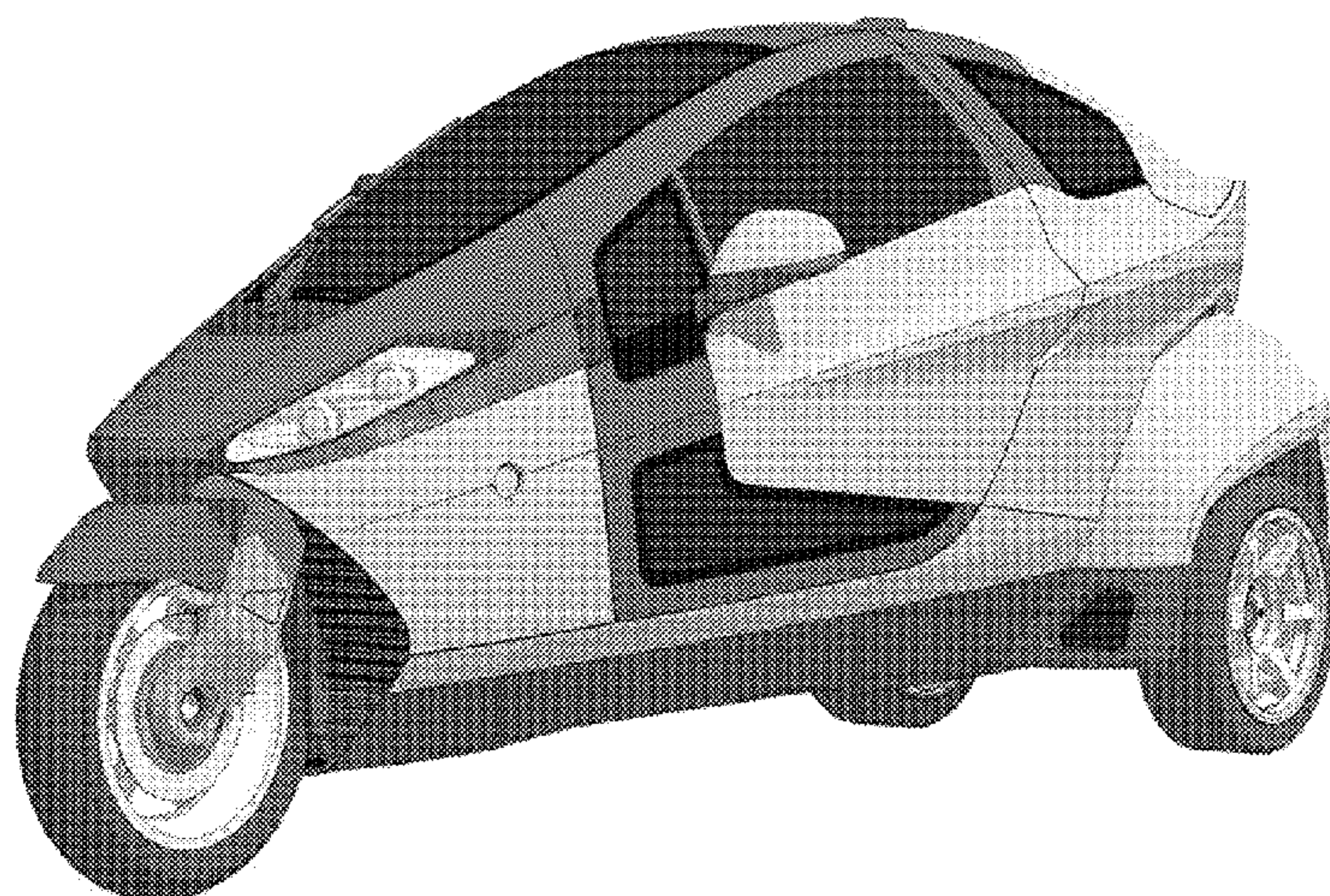
(57) **CLAIM**

The ornamental design for a motorcycle, toy, or replica thereof, as shown and described.

DESCRIPTION

FIG. 1 is a front perspective view of a motorcycle, toy, or replica thereof showing the claimed design;
FIG. 2 is a rear perspective view thereof;
FIG. 3 is a front view thereof;
FIG. 4 is a rear view thereof;
FIG. 5 is a left side view thereof;
FIG. 6 is a right side view thereof;
FIG. 7 is a top view thereof; and,
FIG. 8 is a bottom view thereof.

1 Claim, 4 Drawing Sheets



(56)

References Cited

OTHER PUBLICATIONS

Nanus three-wheeled city car concept to set a crazy trend. Gadget Reviews. Jul. 11, 2009 [online], [retrieved on Feb. 4, 2013]. Retrieved from the Internet <URL:<http://www.gadgets-reviews.com/nanus-three-wheeled-city-car.html>>.

Alex Hodge. "Hawk" Concept Vehicle. Coroflot—Alex Hodge portfolio. Dec. 8, 2006 [online], [retrieved on Feb. 4, 2013]. Retrieved from the Internet <URL:<http://www.coroflot.com/L-X/Work>>.

* cited by examiner

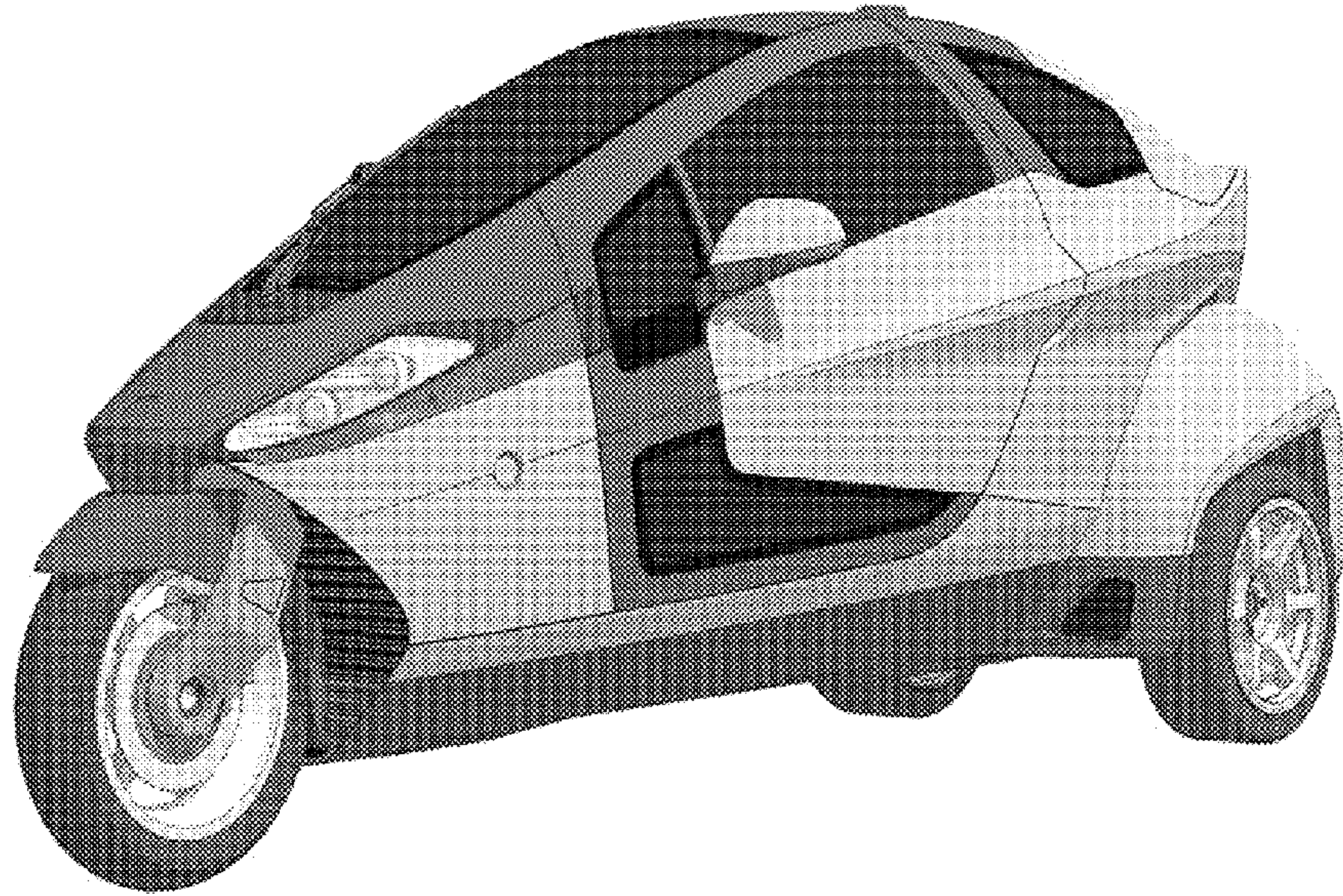


FIG. 1

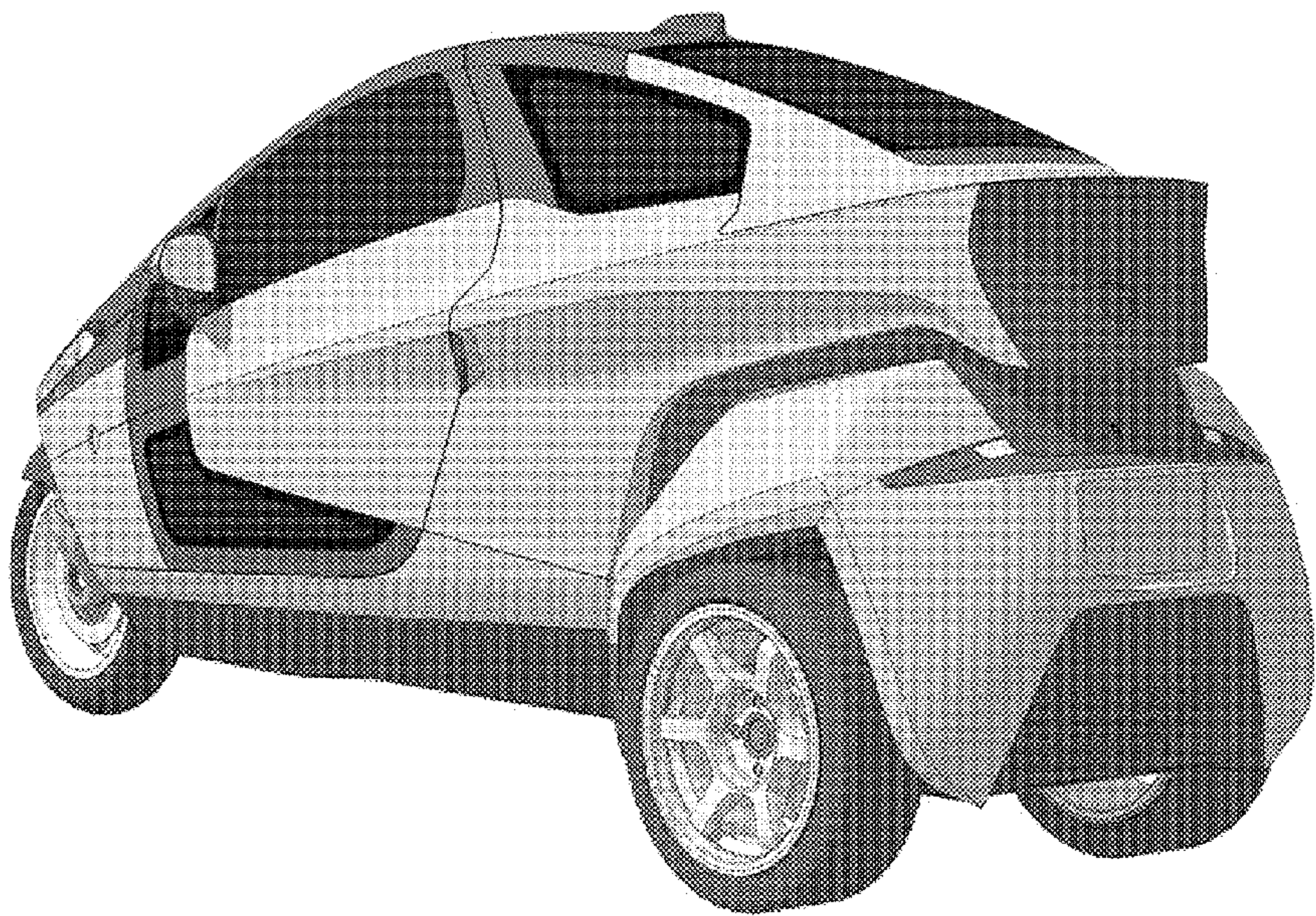


FIG. 2

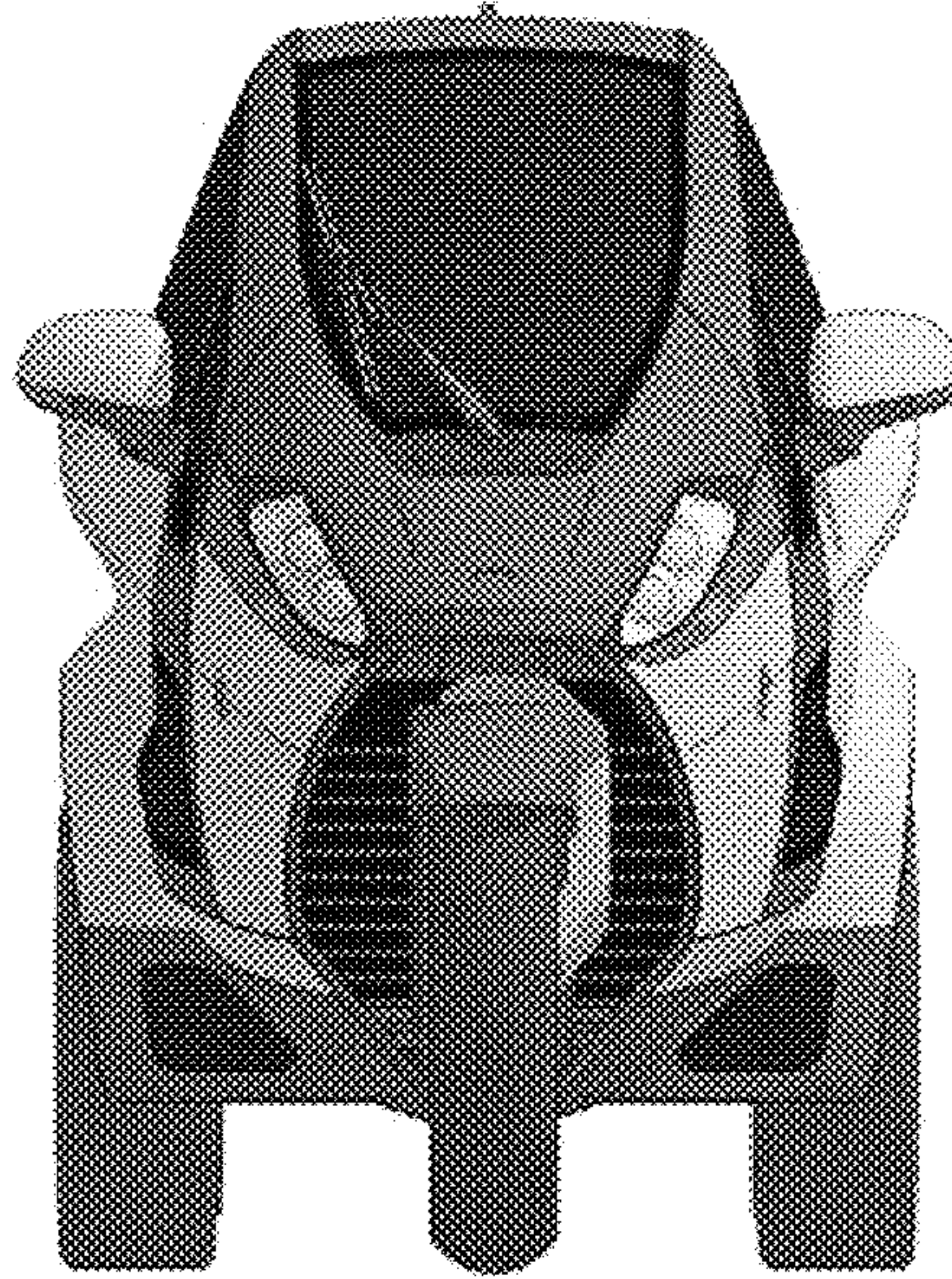


FIG. 3

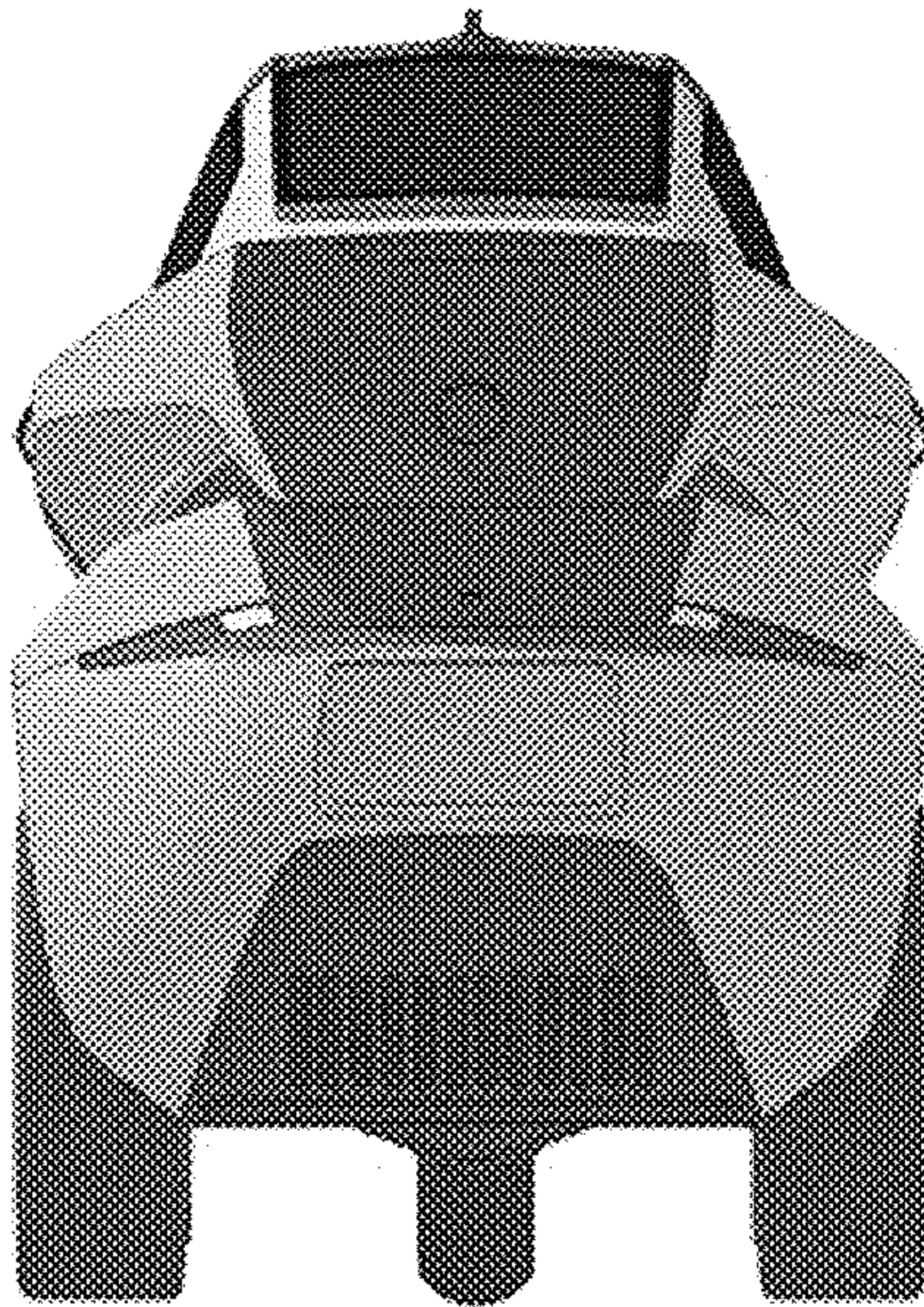


FIG. 4

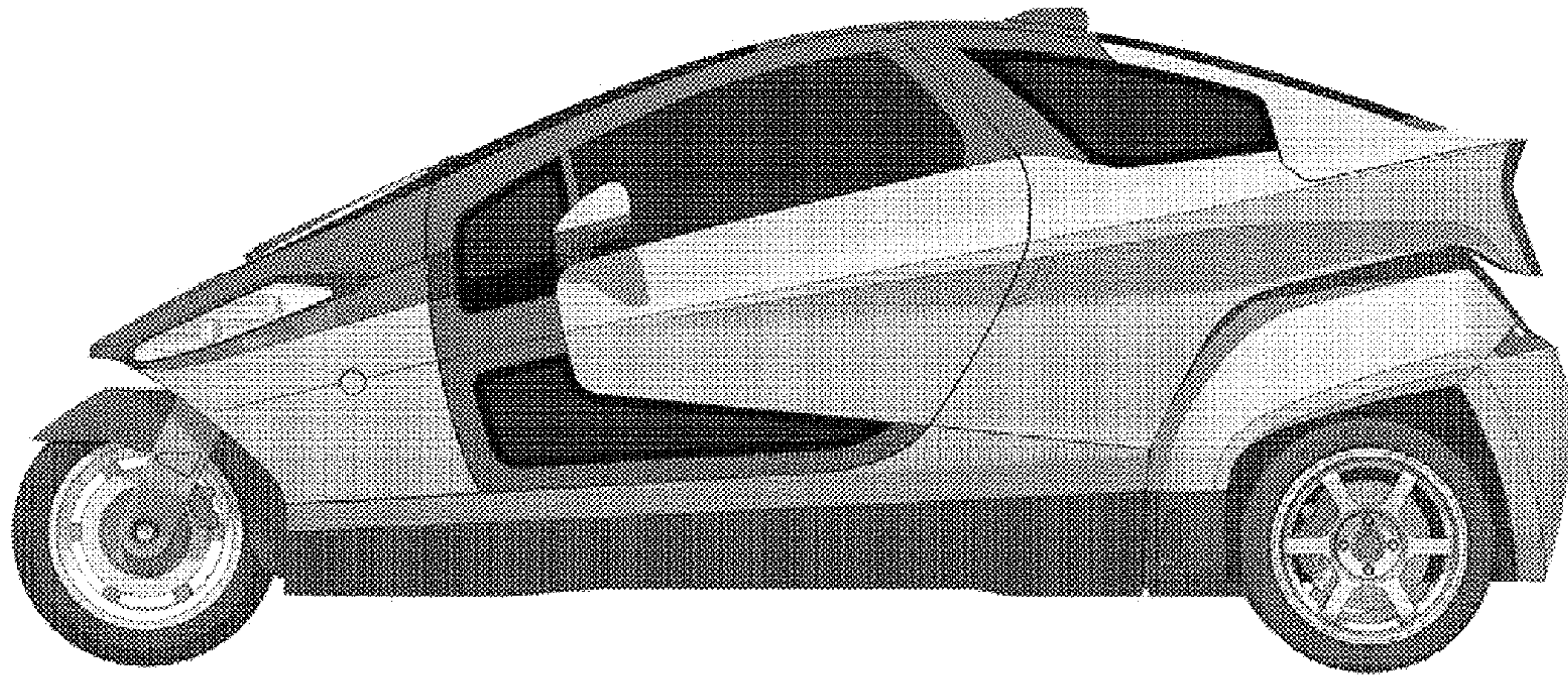


FIG. 5

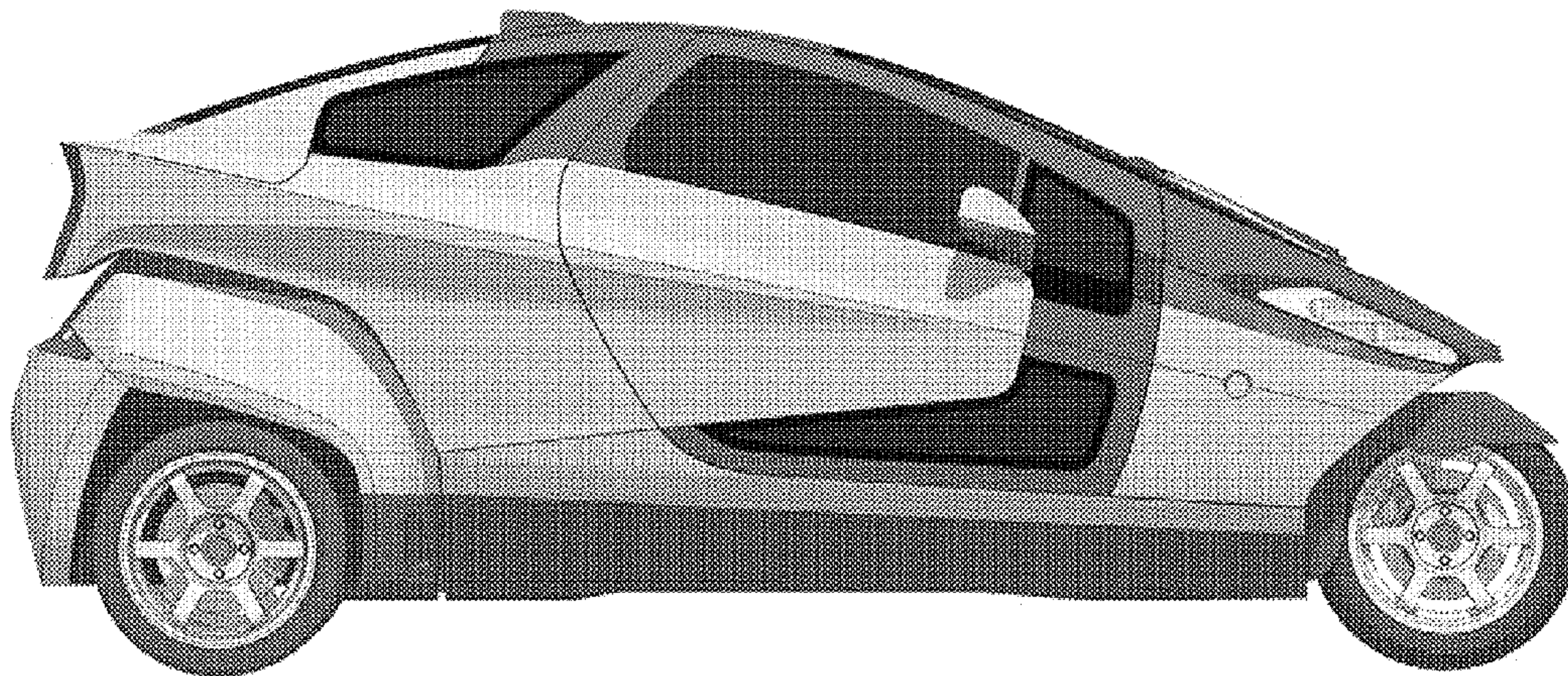


FIG. 6

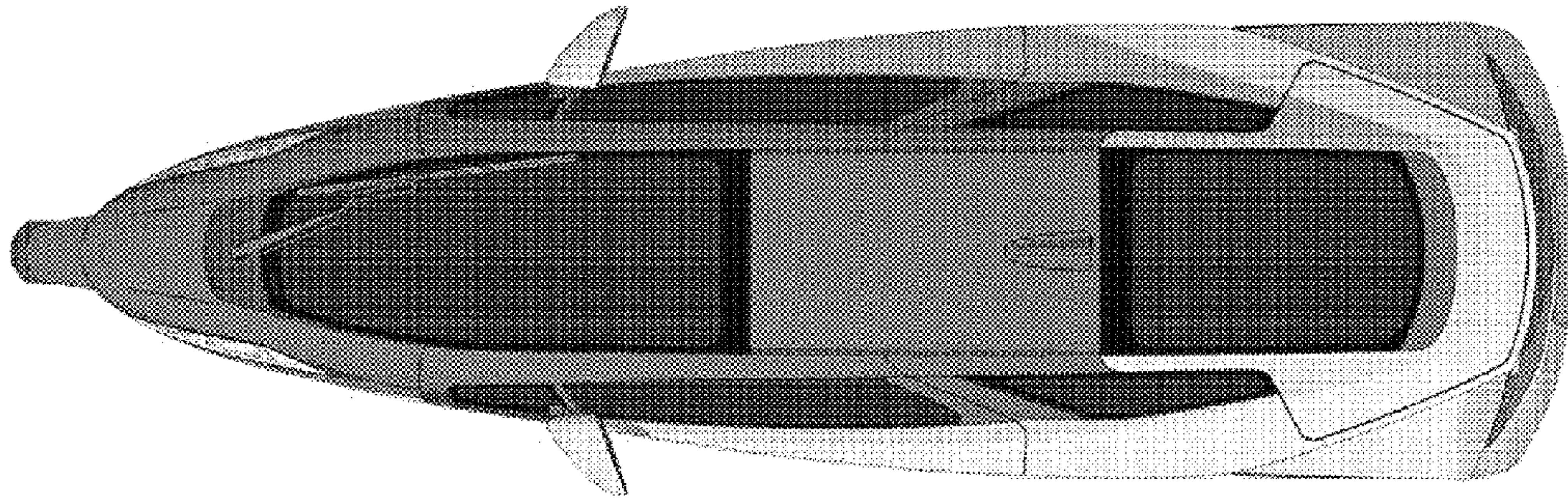


FIG. 7

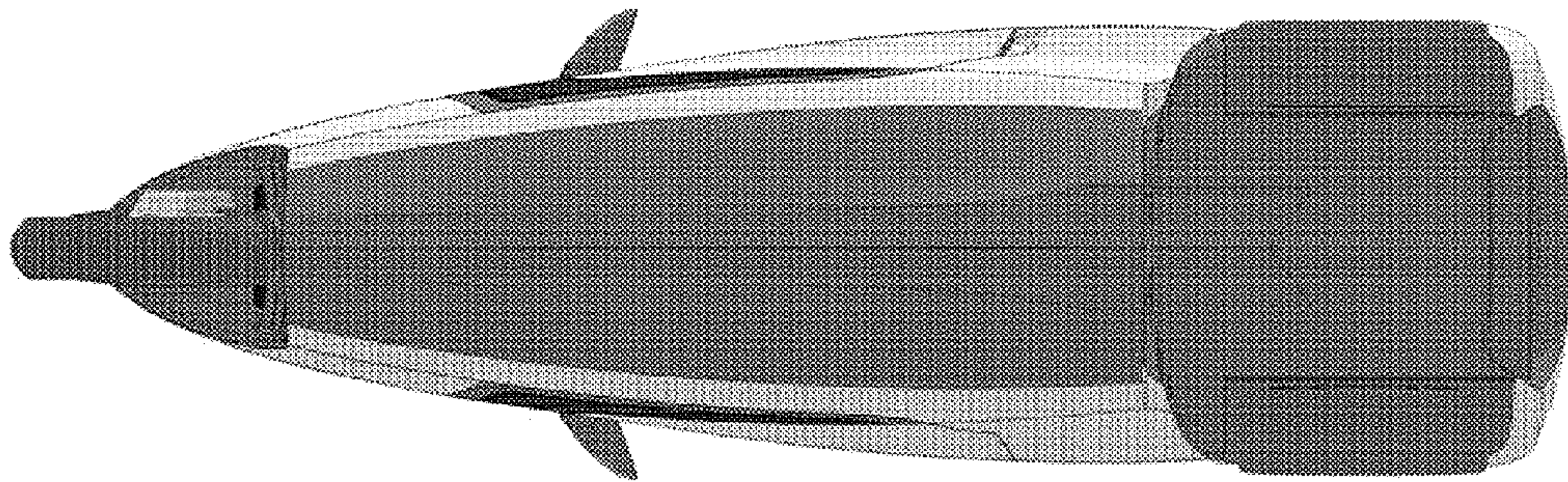


FIG. 8