



US00D690618S

(12) **United States Design Patent**
Gordon

(10) **Patent No.:** **US D690,618 S**

(45) **Date of Patent:** **** Oct. 1, 2013**

(54) **VEHICLE FRAME**

(76) Inventor: **Robby Gordon**, Charlotte, NC (US)

(**) Term: **14 Years**

(21) Appl. No.: **29/423,105**

(22) Filed: **May 29, 2012**

(51) **LOC (9) Cl.** **12-08**

(52) **U.S. Cl.**
USPC **D12/82**

(58) **Field of Classification Search**
USPC D12/82, 86, 87, 88, 90-92; D21/424,
D21/433, 434; 180/298, 312; 296/181.1,
296/181.5

See application file for complete search history.

(56) **References Cited**

U.S. PATENT DOCUMENTS

3,292,969	A *	12/1966	Eggert, Jr.	296/205
5,131,487	A *	7/1992	DeWees	180/271
5,848,853	A *	12/1998	Clenet	403/272
6,533,348	B1 *	3/2003	Jaekel et al.	296/205

D555,548	S *	11/2007	Nelson et al.	D12/159
D585,788	S *	2/2009	Burns	D12/87
D585,790	S *	2/2009	Burns	D12/87
D586,696	S *	2/2009	Burns	D12/87
D651,133	S *	12/2011	Liebl	D12/87
8,196,696	B2 *	6/2012	Karube et al.	180/311

* cited by examiner

Primary Examiner — Philip S Hyder

Assistant Examiner — Darlington Ly

(74) *Attorney, Agent, or Firm* — Rutan & Tucker LLP; Hani Z. Sayed

(57) **CLAIM**

The ornamental design for vehicle frame, as shown and described.

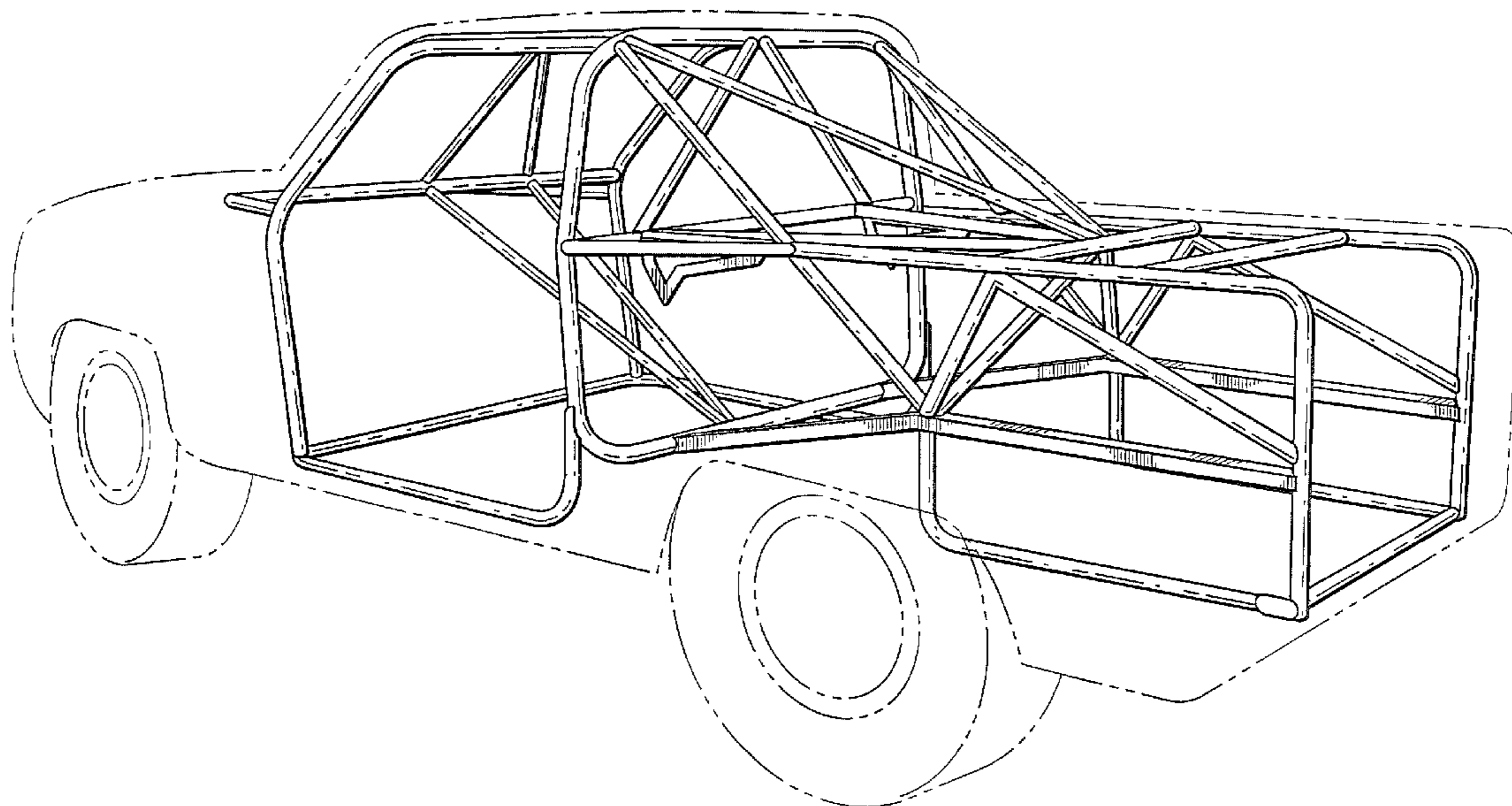
DESCRIPTION

FIG. 1 is a top, rear right side perspective view of the present invention;

FIG. 2 is a left side elevation view thereof, wherein the right side elevation view is a mirror image; and,

FIG. 3 is a top view thereof.

1 Claim, 3 Drawing Sheets



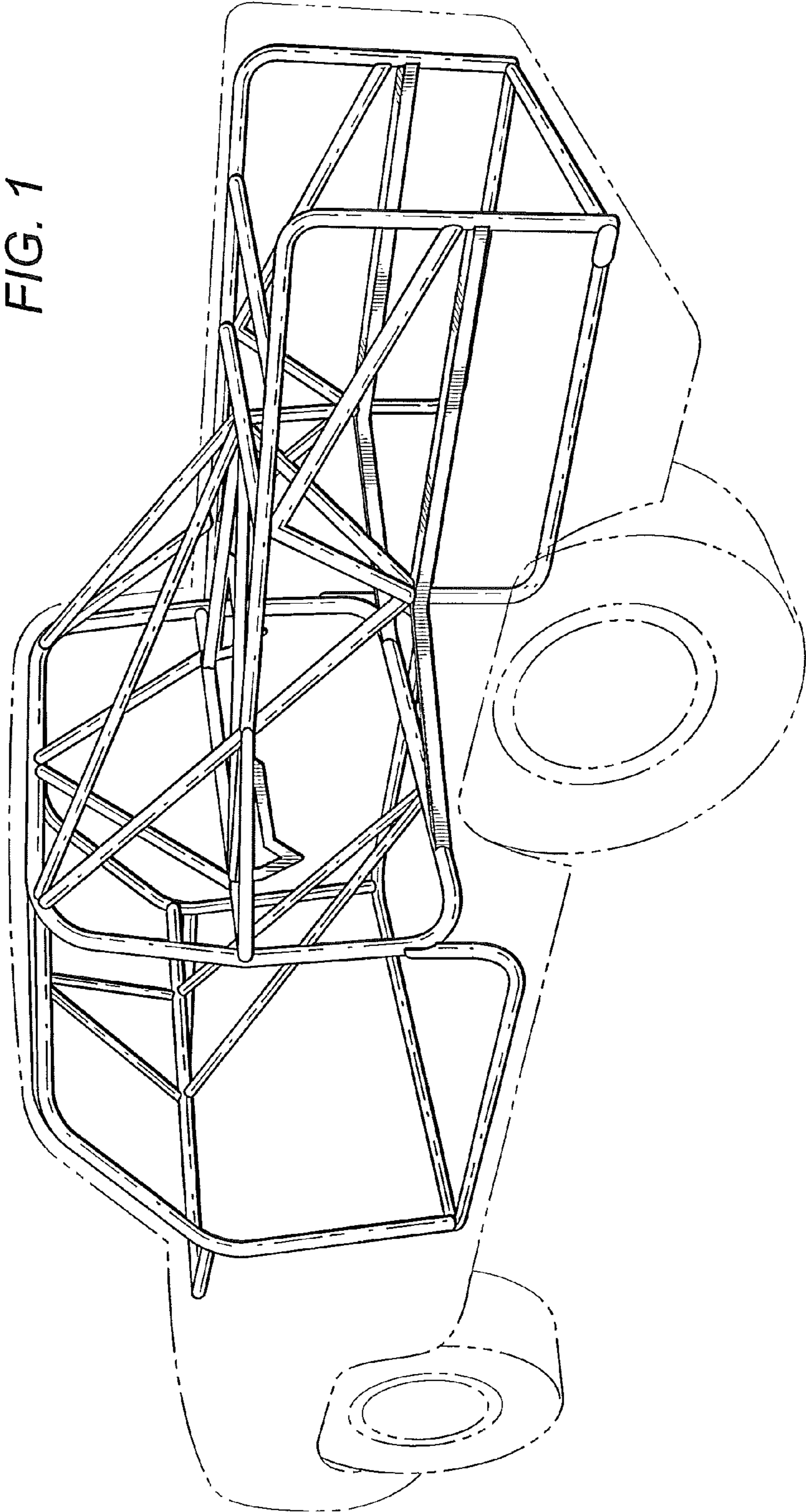


FIG. 1

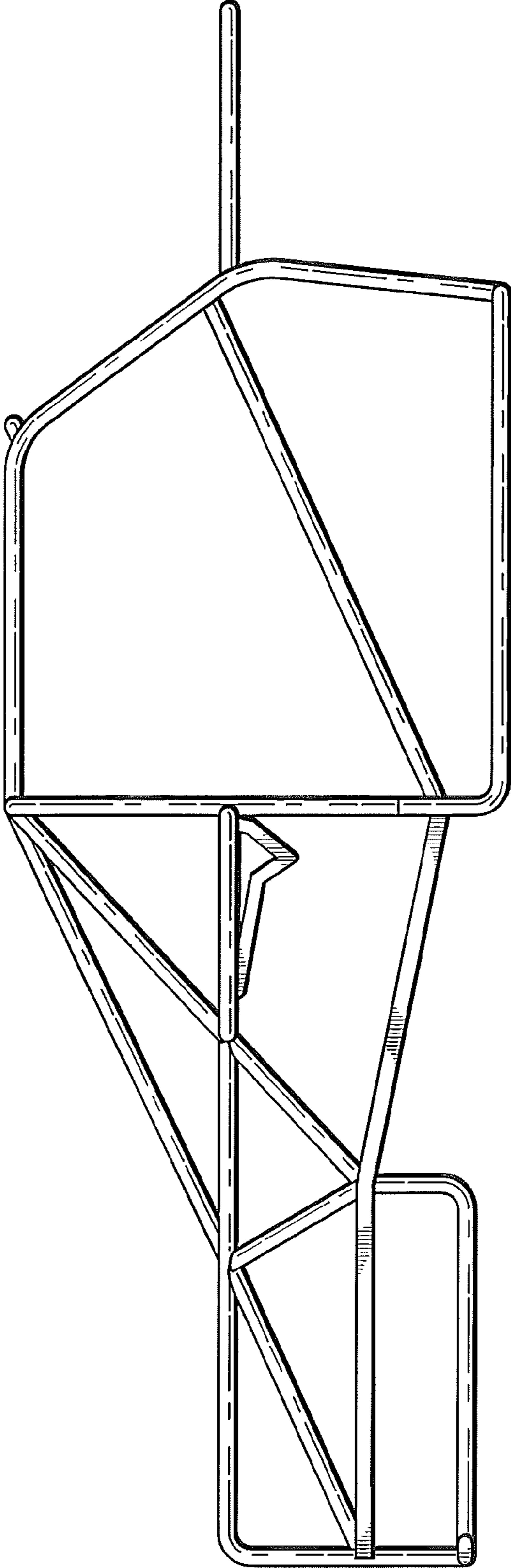


FIG. 2

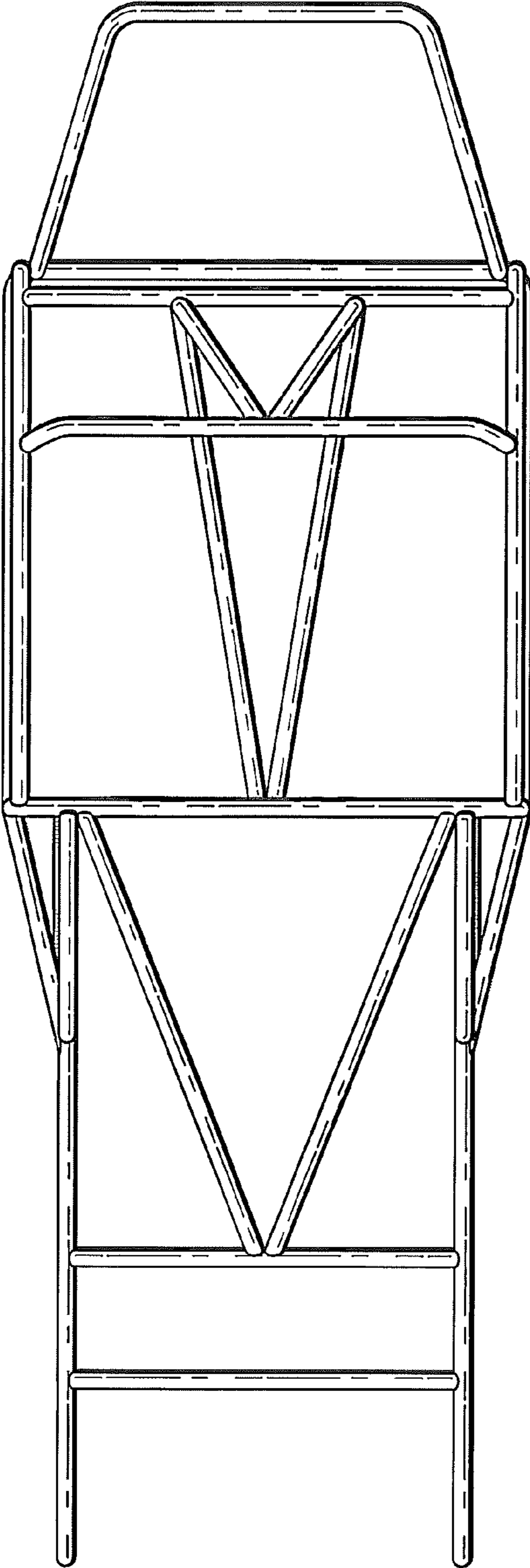


FIG. 3