



US00D690597S

(12) **United States Design Patent**
Cummings et al.

(10) **Patent No.:** **US D690,597 S**

(45) **Date of Patent:** **** Oct. 1, 2013**

(54) **CONTAINER**

(75) Inventors: **Bruce Cummings**, New York, NY (US);
Amy Ramirez, New York, NY (US);
Peter Booth, Savernake (GB); **Martin**
Bunce, Pewsey (GB); **Mark Watson**,
Marlborough (GB); **John Lamb**, Pewsey
(GB); **Corinne Elstow**, Marlborough
(GB)

D494,854 S 8/2004 Matauch
D510,025 S 9/2005 Venkataraman et al.
D512,642 S 12/2005 Busa et al.
D525,868 S 8/2006 Kolanus et al.
D534,799 S 1/2007 Henry et al.
D546,189 S 7/2007 Costello et al.
D553,502 S 10/2007 Toh
D553,503 S 10/2007 Toh
D558,053 S 12/2007 Lake et al.

(Continued)

(73) Assignee: **Colgate-Palmolive Company**, New
York, NY (US)

(**) Term: **14 Years**

(21) Appl. No.: **29/390,915**

(22) Filed: **Apr. 29, 2011**

(51) **LOC (9) Cl.** **09-01**

(52) **U.S. Cl.**
USPC **D9/516; D9/565**

(58) **Field of Classification Search**
USPC D9/516, 540, 543, 550, 552, 563,
D9/565, 571-575, 682-694; 215/379, 381-382,
215/384; 220/660, 662, 669
See application file for complete search history.

(56) **References Cited**

U.S. PATENT DOCUMENTS

D144,612 S 5/1946 Derham
D221,619 S 8/1971 Horne et al.
D247,022 S 1/1978 Turnbull
D288,663 S 3/1987 Thieffry
D312,211 S 11/1990 Segati
D322,935 S 1/1992 Schmidt
D327,640 S 7/1992 Sherman et al.
D347,579 S 6/1994 Hann et al.
D352,242 S 11/1994 Crawford et al.
D364,569 S 11/1995 Lorio et al.
D403,589 S 1/1999 Wong
D445,692 S 7/2001 Meeker et al.
D466,415 S 12/2002 Reis

FOREIGN PATENT DOCUMENTS

AU 338918 S 10/2011
AU 338919 S 10/2011
AU 338924 S 10/2011
RU 61236 1/2007

Primary Examiner — Carol P Rademaker

(74) *Attorney, Agent, or Firm* — Judy W. Chung

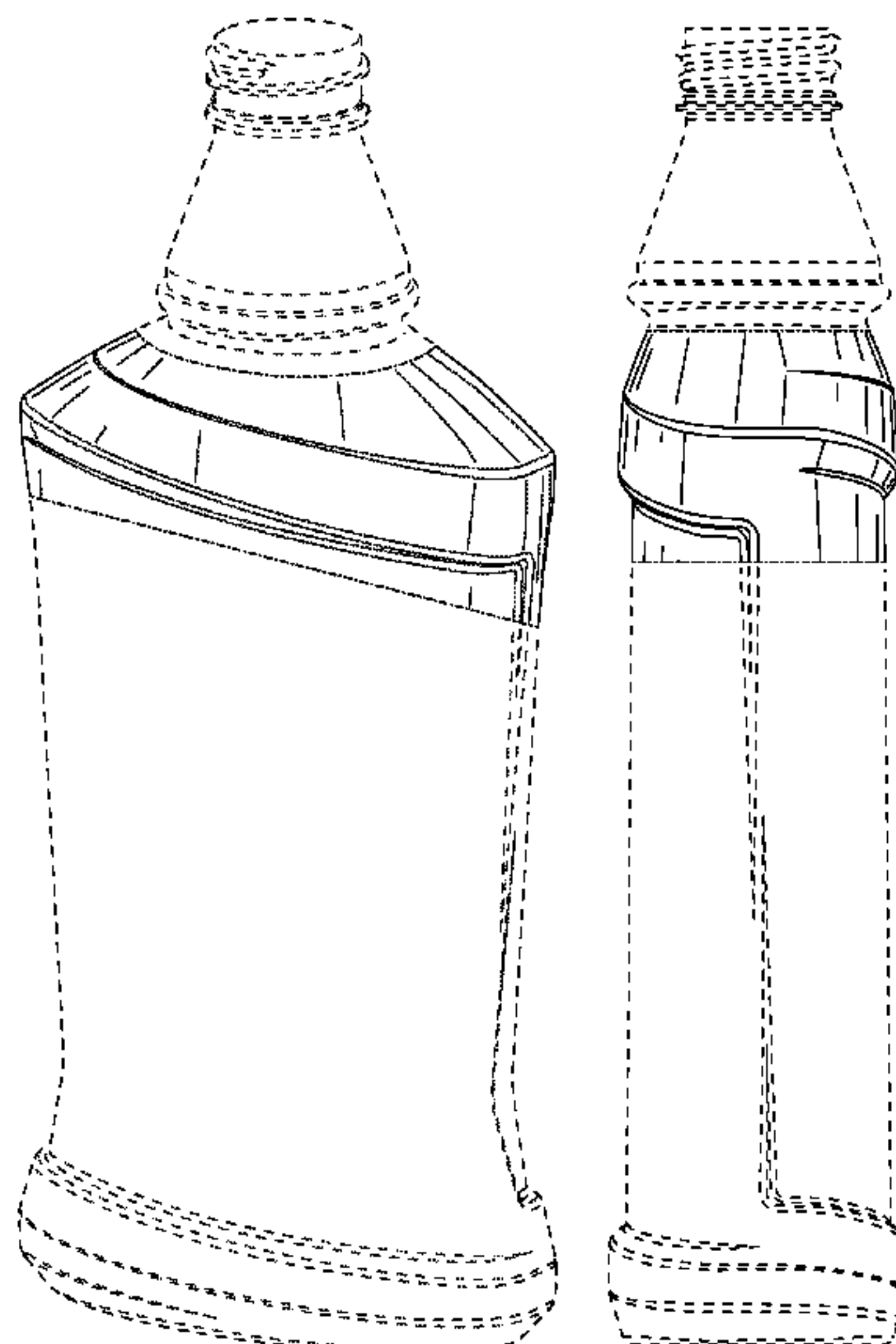
(57) **CLAIM**

The ornamental design for a container, as shown and described.

DESCRIPTION

FIG. 1 is a top, front, right side perspective view of a container according to the new design;
FIG. 2 is a top, front, left side perspective view thereof;
FIG. 3 is a front elevational view thereof;
FIG. 4 is a rear elevational view thereof;
FIG. 5 is a left side elevational view thereof;
FIG. 6 is a right side elevational view thereof;
FIG. 7 is a top plan view thereof; and,
FIG. 8 is a bottom plan view thereof.
The dash-dash-dash-dash type broken lines shown in the drawings are included for the purpose of illustrating environmental structure and form no part of the claimed design.
The dot-dash-dot-dash type broken lines shown in the drawings are included for the purpose of defining the upper and lower boundaries of the claimed design.

1 Claim, 6 Drawing Sheets



(56)

References Cited

U.S. PATENT DOCUMENTS

D591,156 S 4/2009 George et al.
D617,144 S 6/2010 O'Connor et al.
D622,146 S 8/2010 Wheaton et al.
D643,738 S 8/2011 Cummings et al.
D645,348 S 9/2011 Borghesi et al.

D645,757 S 9/2011 Milhem et al.
D650,284 S * 12/2011 Schriener et al. D9/530
D650,687 S * 12/2011 Schriener et al. D9/530
D653,955 S 2/2012 Labadie et al.
D666,104 S * 8/2012 Cummings et al. D9/543
D666,105 S * 8/2012 Cummings et al. D9/565 X
D676,754 S * 2/2013 Cummings et al. D9/563 X

* cited by examiner

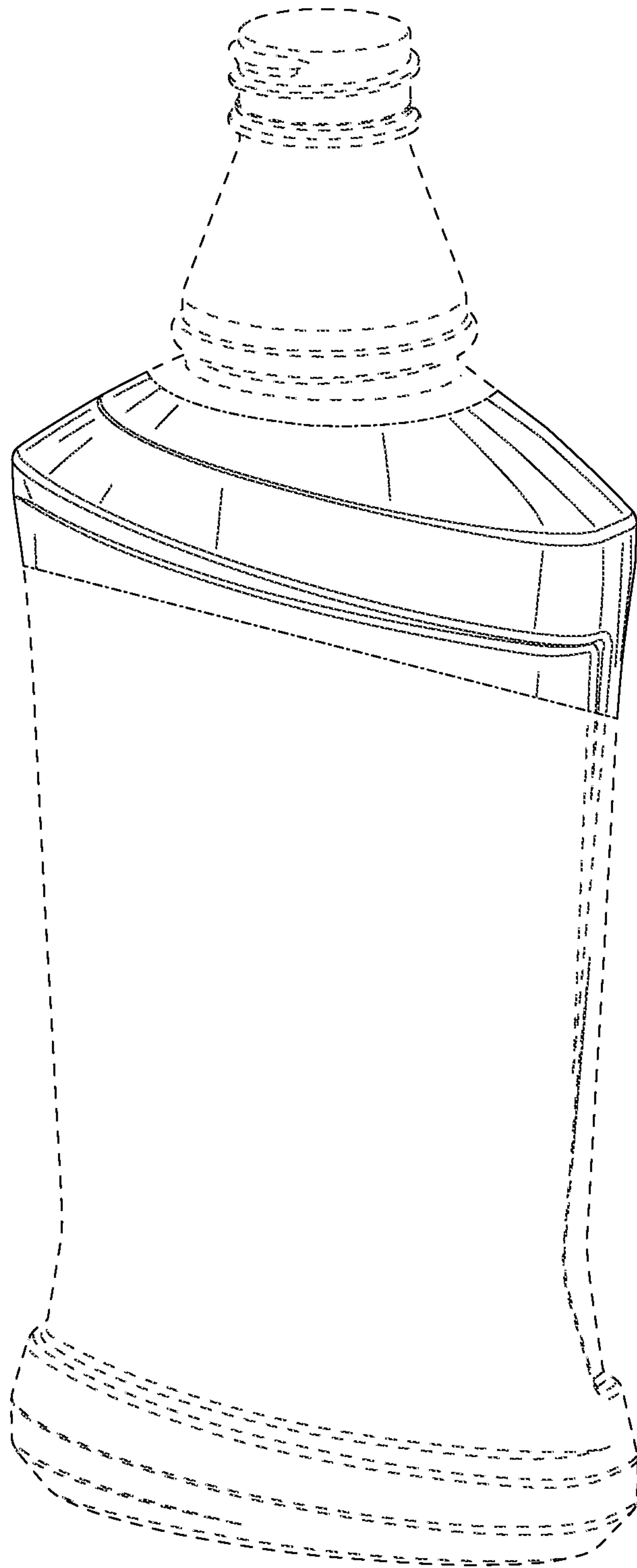


FIG. 1

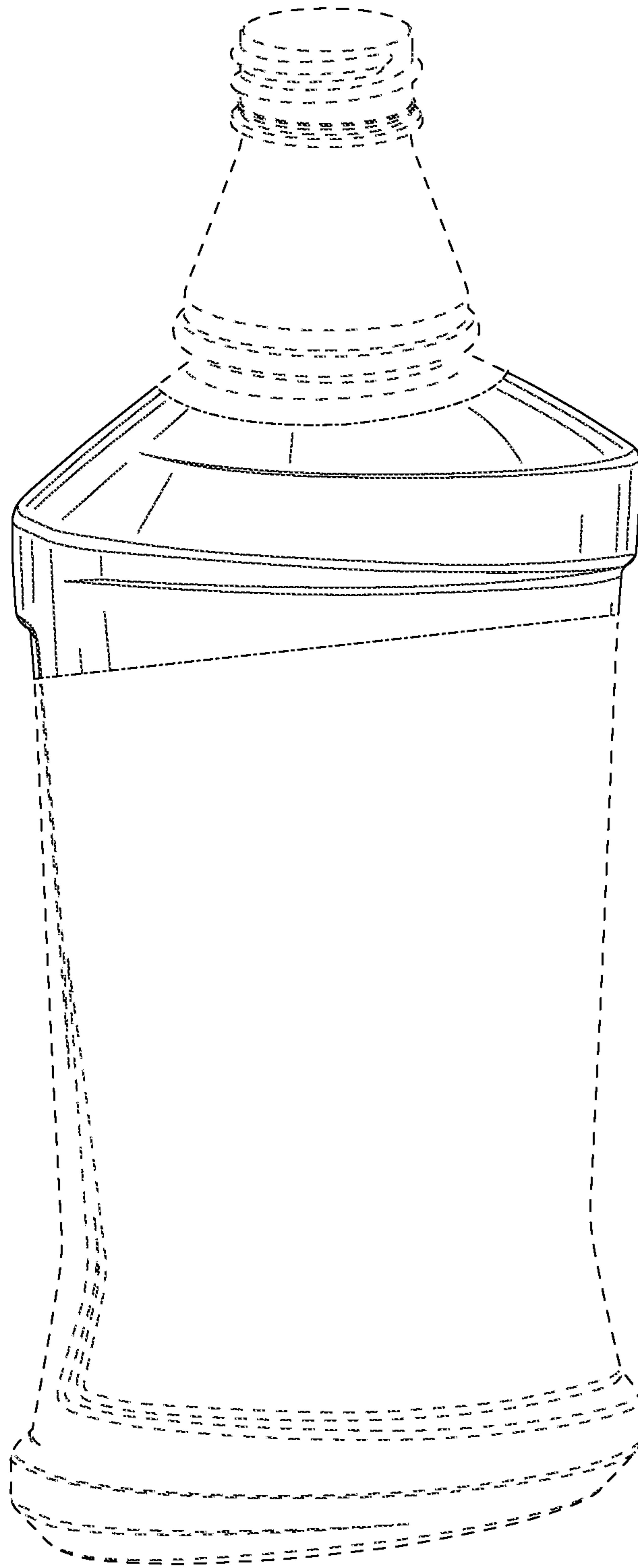


FIG. 2

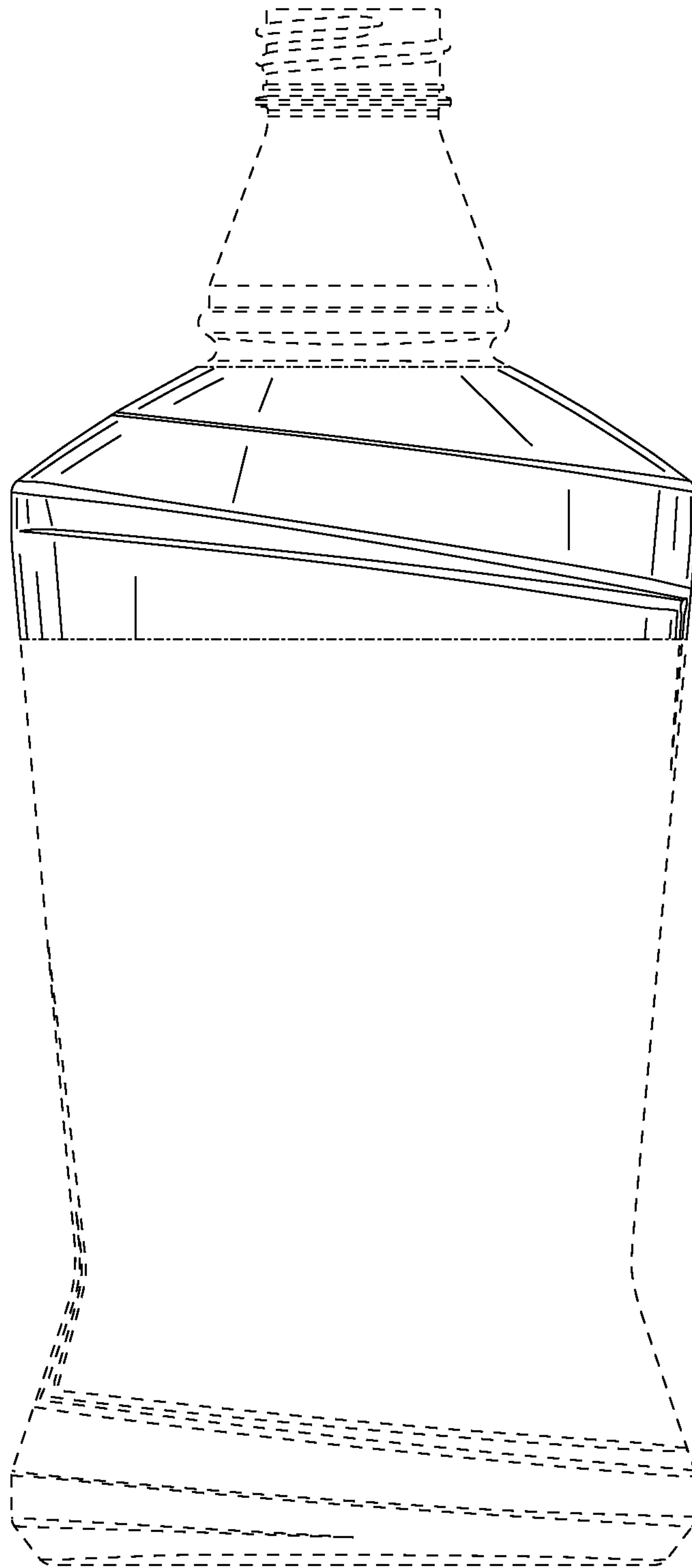


FIG. 3

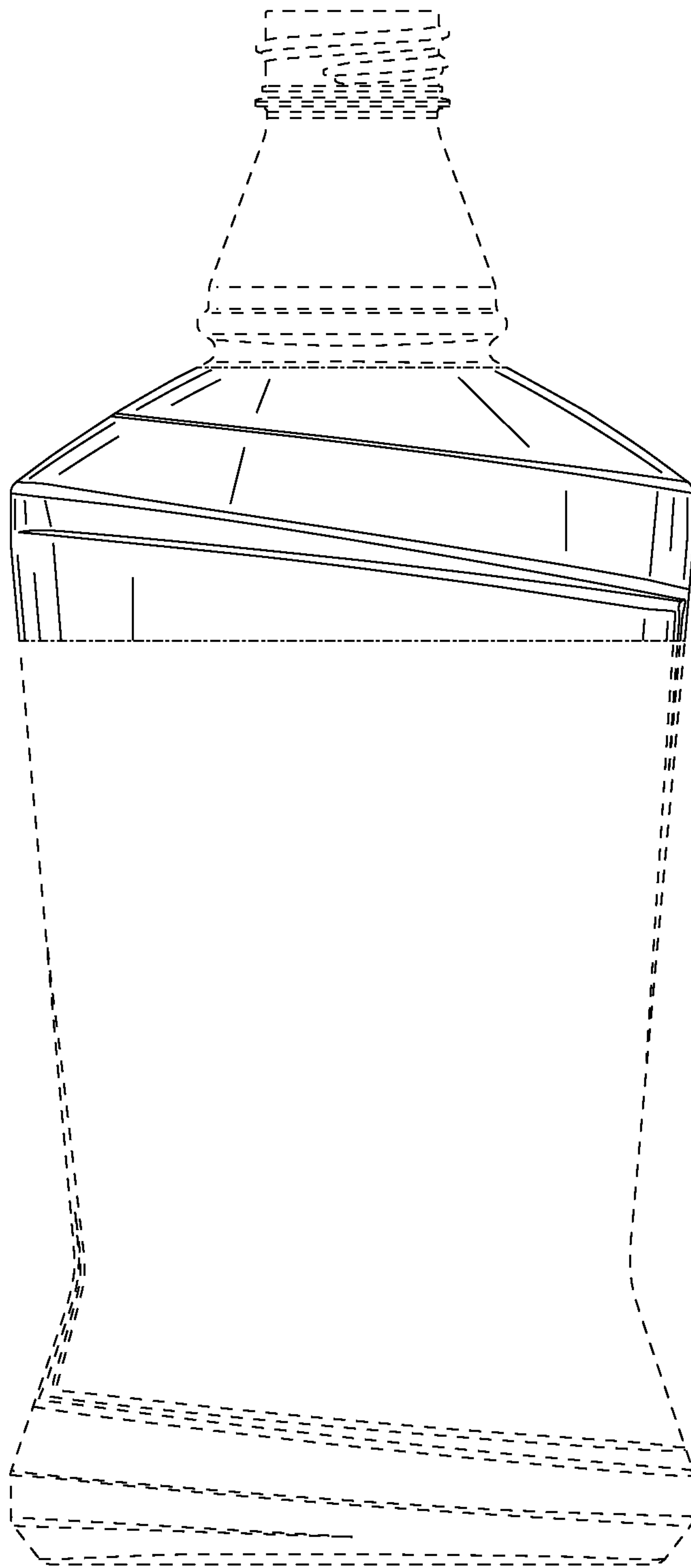


FIG. 4

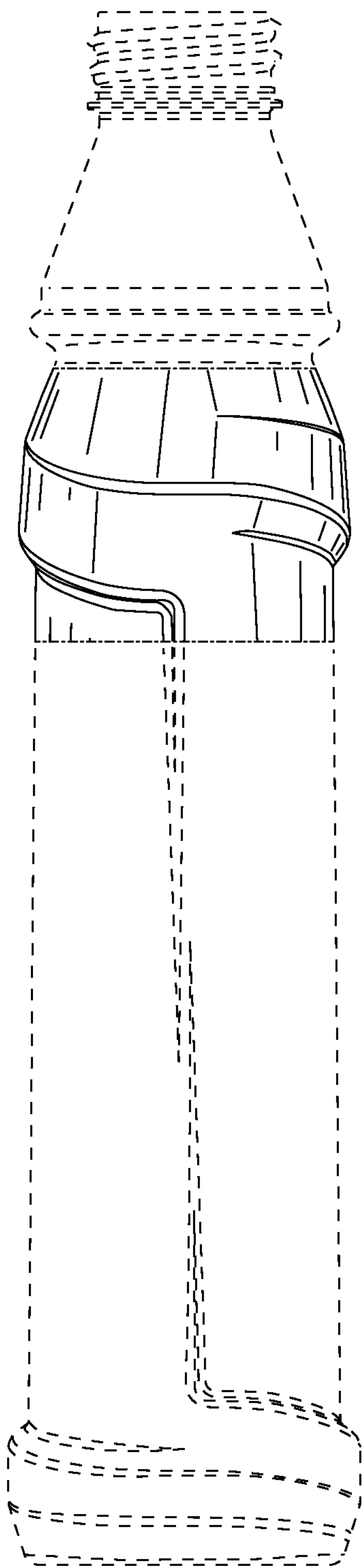


FIG. 5

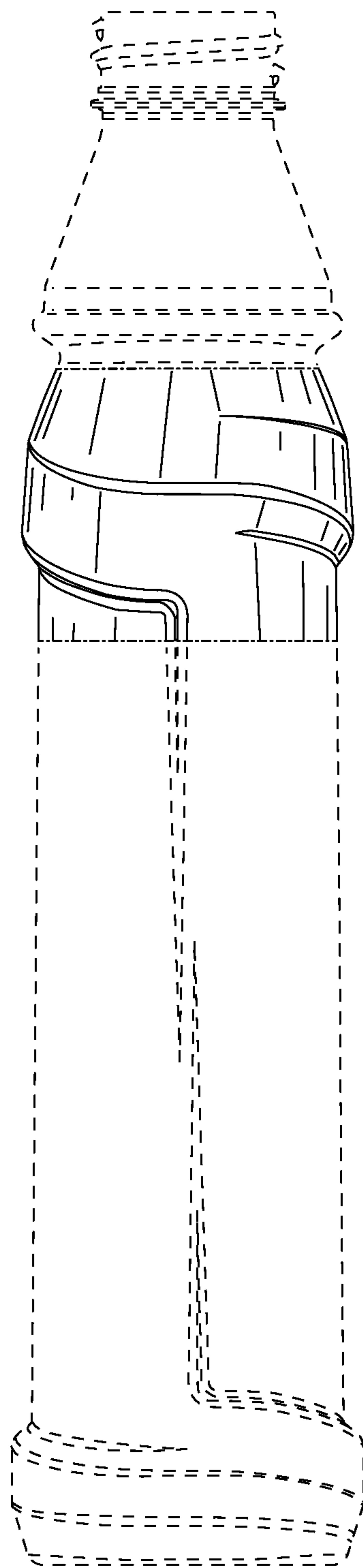


FIG. 6

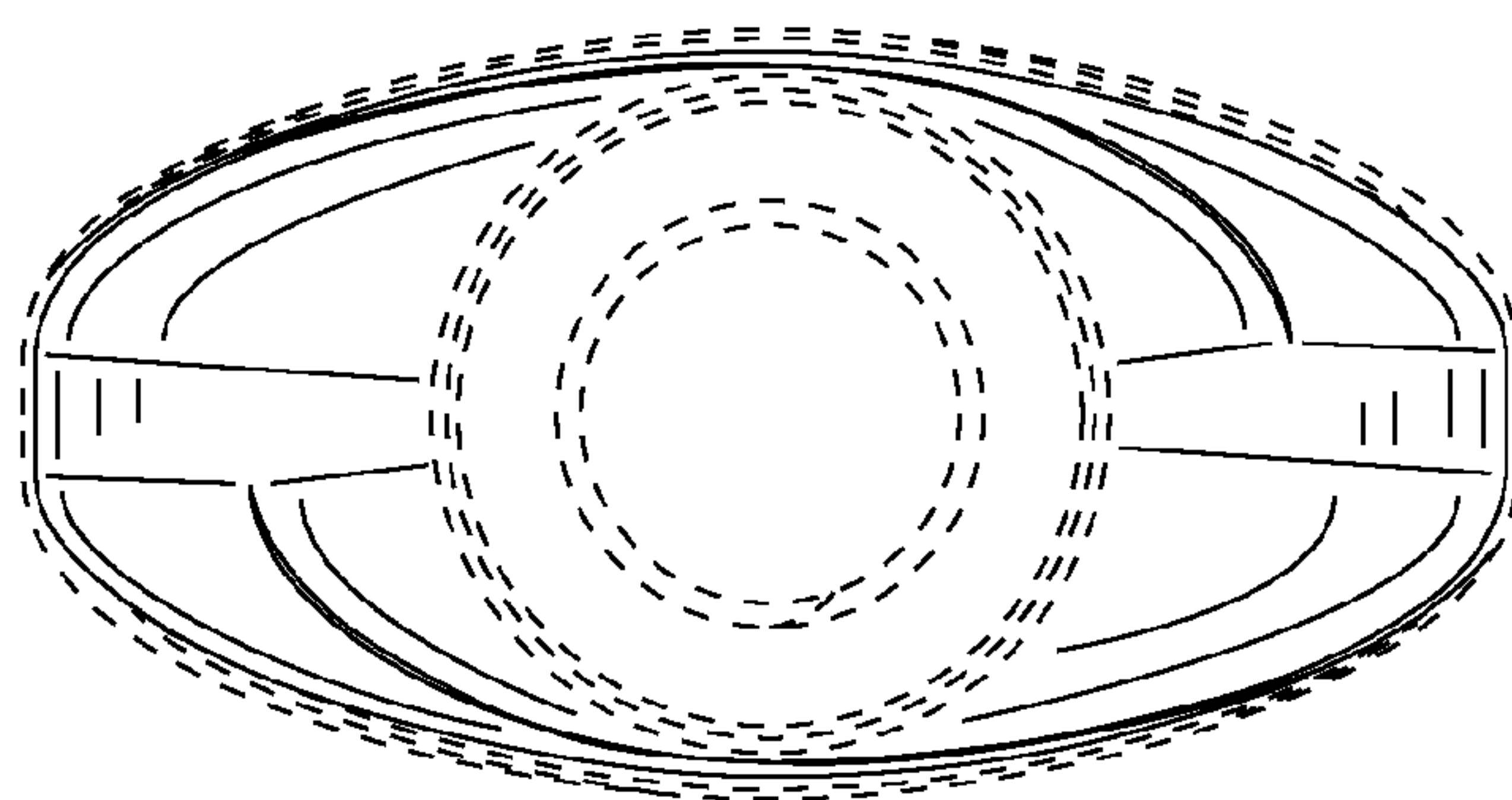


FIG. 7

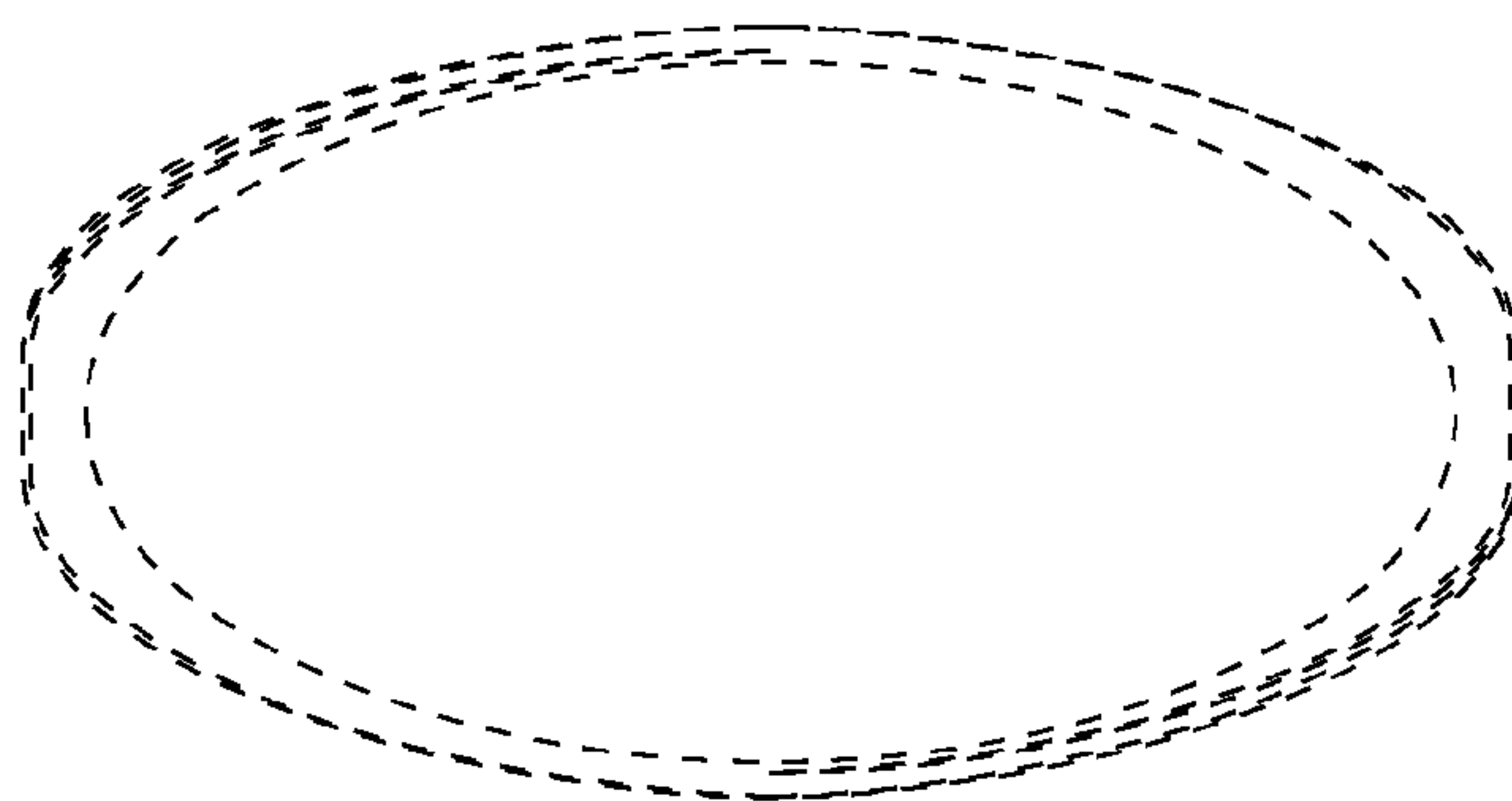


FIG. 8