



US00D690596S

(12) **United States Design Patent**  
**Logue**

(10) **Patent No.:** **US D690,596 S**

(45) **Date of Patent:** **\*\* Oct. 1, 2013**

(54) **CAP FOR A MEDICAMENT PACKAGE**

(75) Inventor: **Anthony Thomas Logue**, Yowie Bay (AU)

(73) Assignee: **Logue and Co. Pty Ltd.**, Yowie Bay (AU)

(\*\*) Term: **14 Years**

(21) Appl. No.: **29/431,490**

(22) Filed: **Sep. 7, 2012**

(30) **Foreign Application Priority Data**

May 21, 2012	(AU)	.....	12432/2012
May 21, 2012	(AU)	.....	12434/2012
May 21, 2012	(AU)	.....	12462/2012

(51) **LOC (9) Cl.** ..... **09-07**

(52) **U.S. Cl.**  
USPC ..... **D9/447**

(58) **Field of Classification Search**  
USPC ..... D9/453, 449, 447, 440, 436, 435,  
D9/434; D7/398, 397; 222/570, 569  
See application file for complete search history.

(56) **References Cited**

**U.S. PATENT DOCUMENTS**

3,263,876	A *	8/1966	Perfetto	.....	222/569
D339,985	S *	10/1993	Tarte	.....	D9/447
D355,119	S *	2/1995	Zimmermann et al.	.....	D9/440
D368,856	S *	4/1996	Peay	.....	D9/447
D399,744	S *	10/1998	Gross	.....	D9/447
D453,472	S *	2/2002	Kwong	.....	D9/447
D501,359	S *	2/2005	Bodum	.....	D7/397

\* cited by examiner

*Primary Examiner* — Susan Bennett Hattan

(74) *Attorney, Agent, or Firm* — Sughrue Mion, PLLC

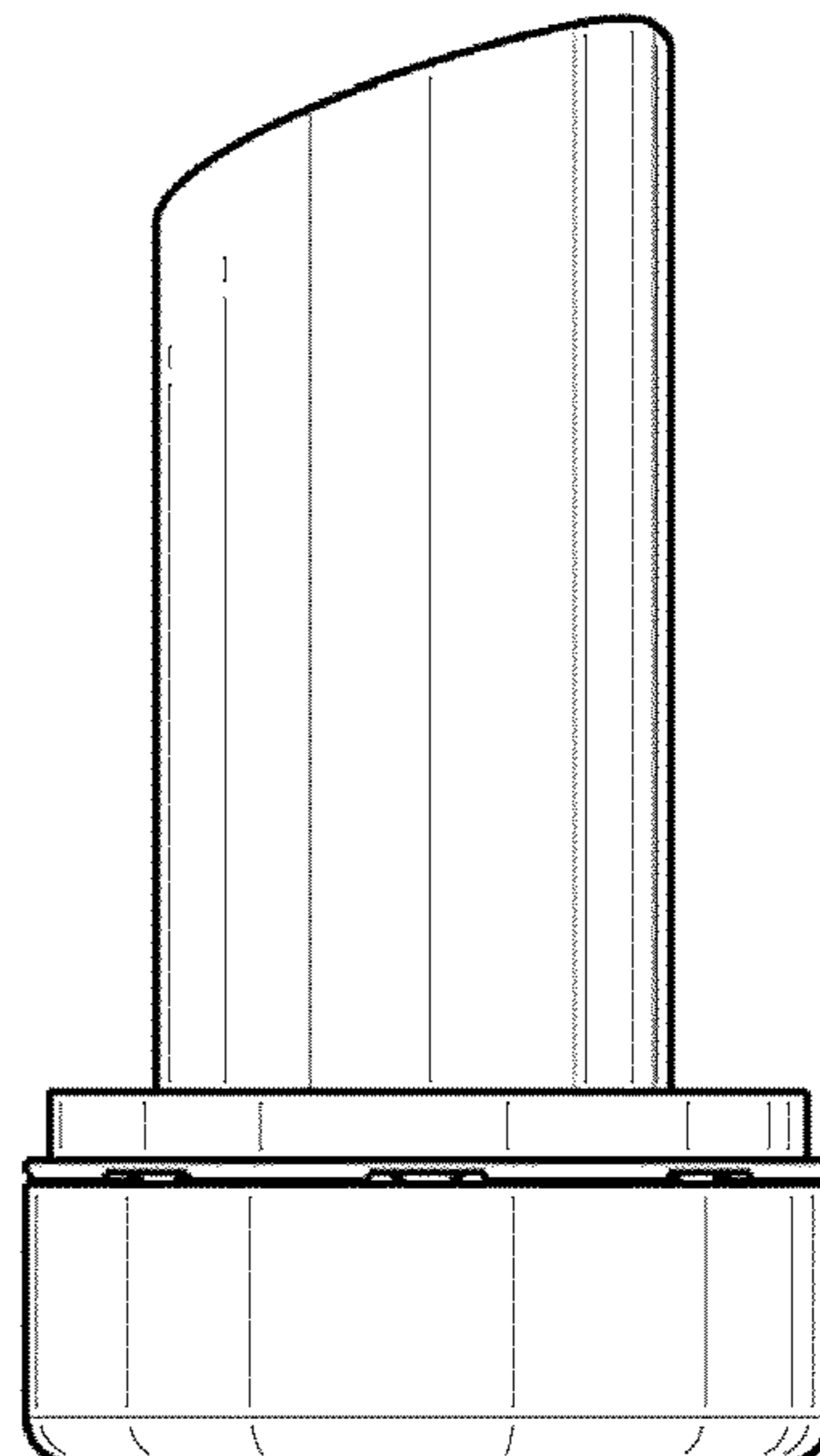
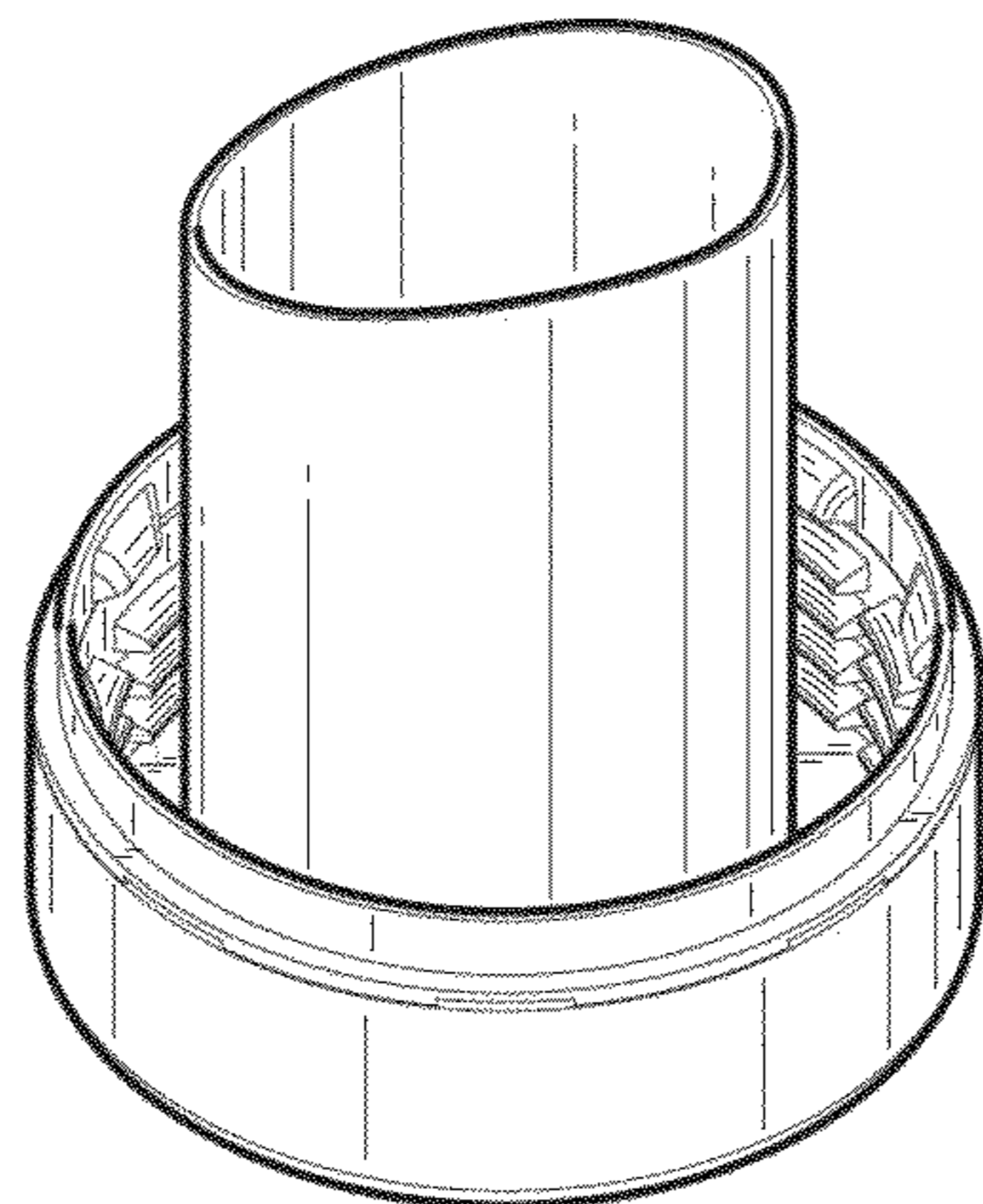
(57) **CLAIM**

The ornamental design for a cap for a medicament package, as shown and described.

**DESCRIPTION**

FIG. 1 is a front perspective view of the cap for a first embodiment of the cap for a medicament package;  
 FIG. 2 is a left side view of thereof;  
 FIG. 3 is a right side view thereof;  
 FIG. 4 is a front view thereof;  
 FIG. 5 is a rear view thereof;  
 FIG. 6 is a top view thereof; and  
 FIG. 7 is a bottom view thereof.  
 FIG. 8 is a front perspective view of a second embodiment of the cap for a medicament package;  
 FIG. 9 is a left side view of thereof;  
 FIG. 10 is a right side view thereof;  
 FIG. 11 is a front view thereof;  
 FIG. 12 is a rear view thereof;  
 FIG. 13 is a top view thereof; and  
 FIG. 14 is a bottom view thereof.  
 FIG. 15 is a front perspective view of a third embodiment of the cap for a medicament package;  
 FIG. 16 is a left side view of thereof;  
 FIG. 17 is a right side view thereof;  
 FIG. 18 is a front view thereof;  
 FIG. 19 is a rear view thereof;  
 FIG. 20 is a top view thereof; and,  
 FIG. 21 is a bottom view thereof.

**1 Claim, 9 Drawing Sheets**



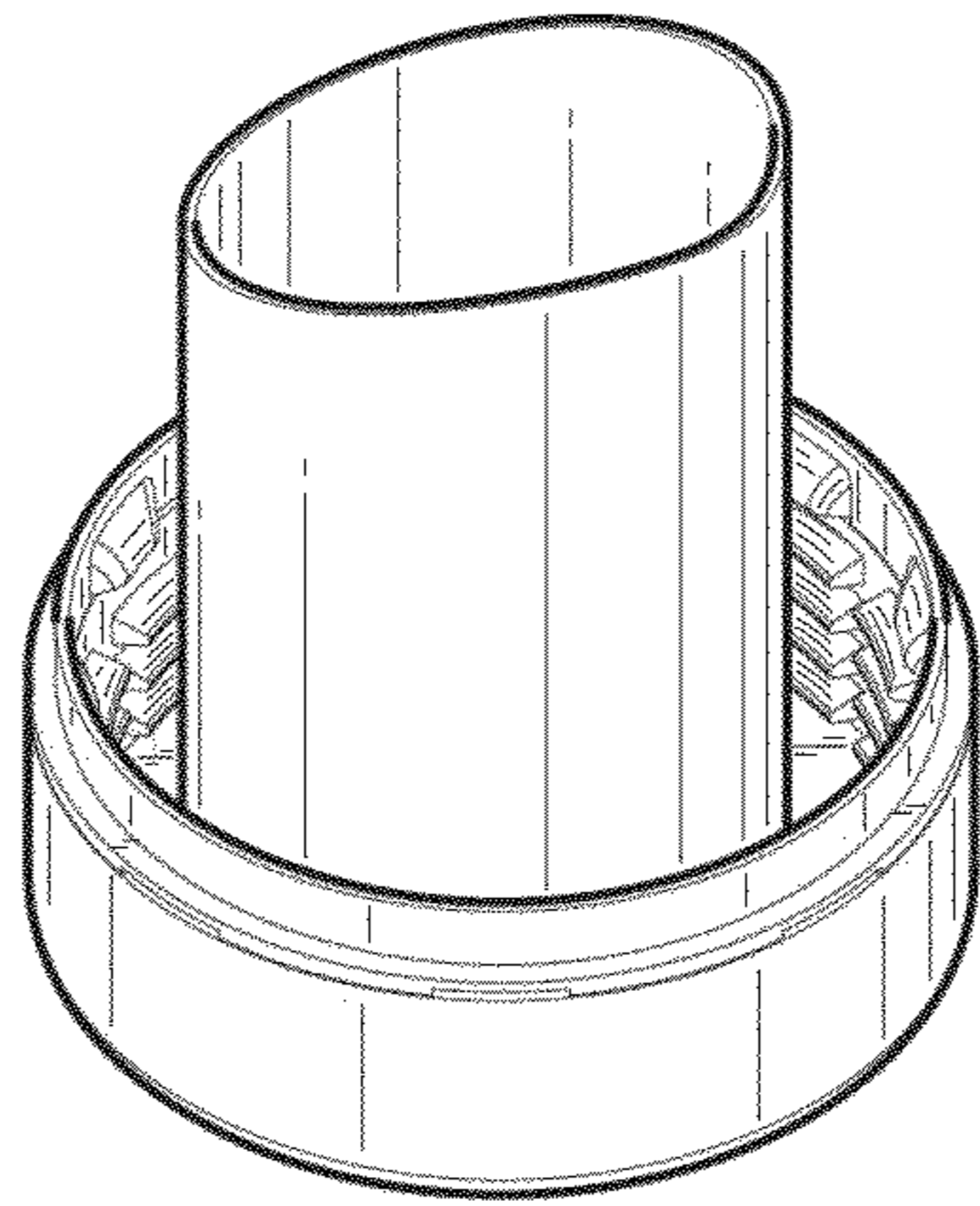


FIG. 1

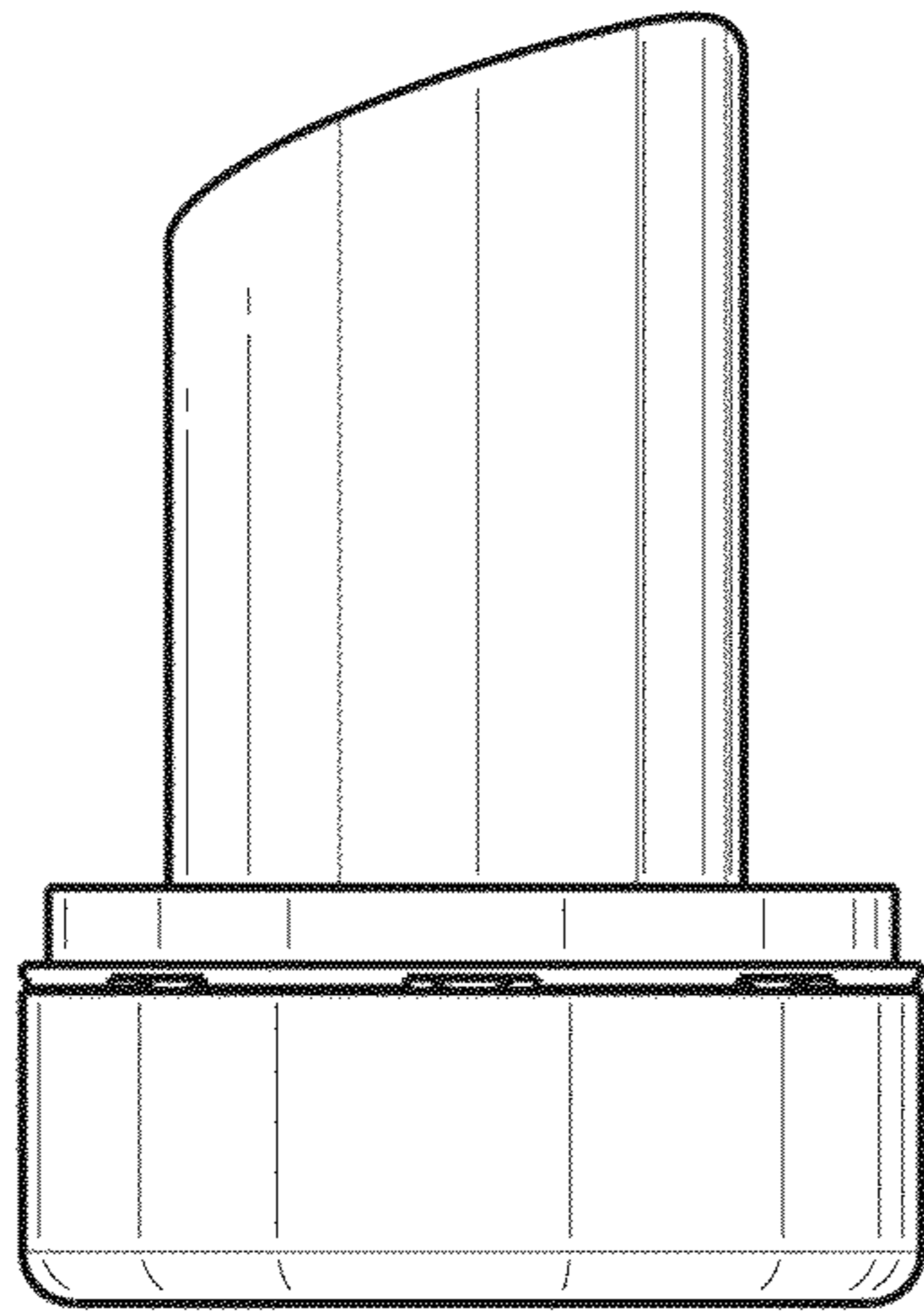


FIG. 2

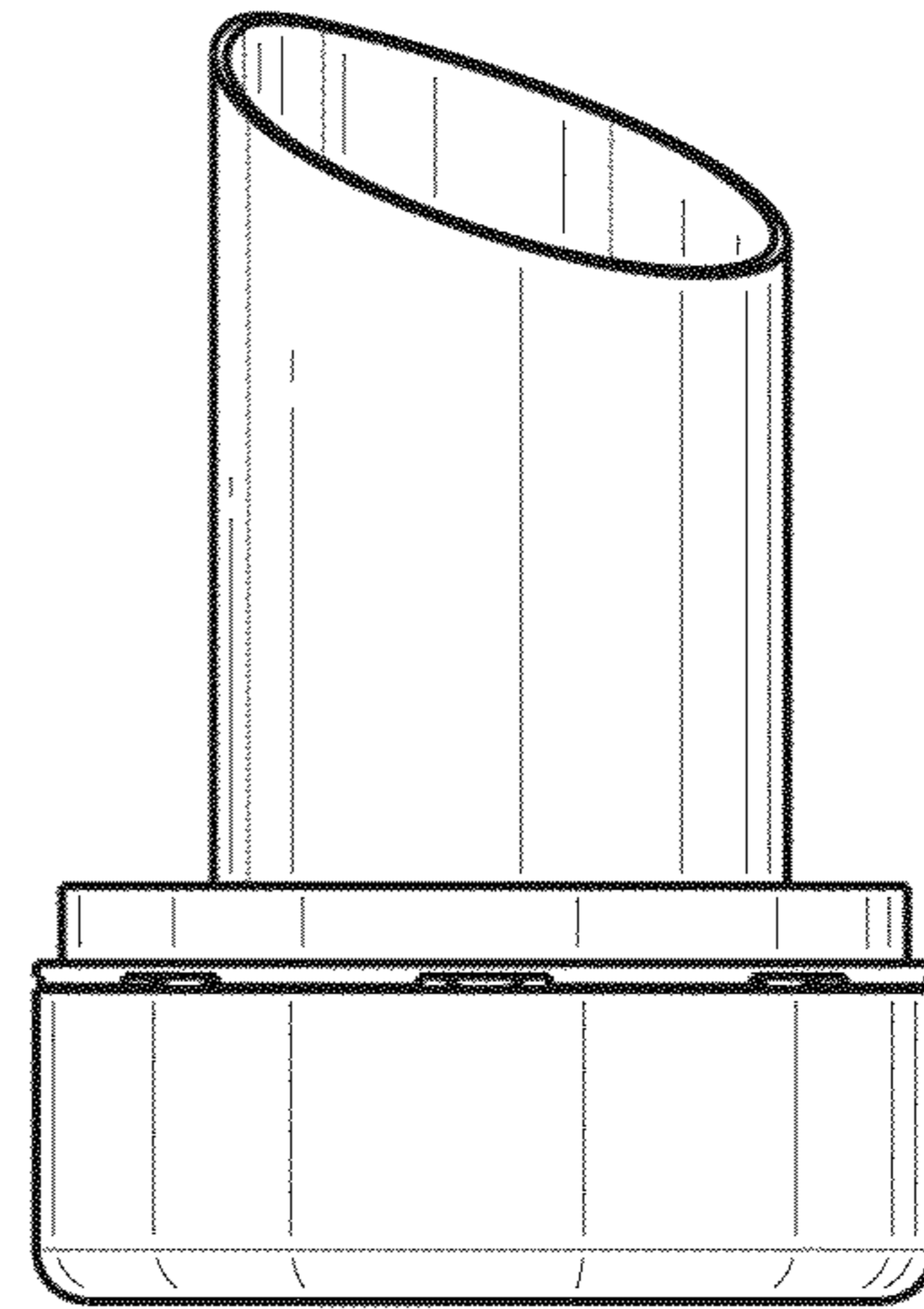


FIG. 3

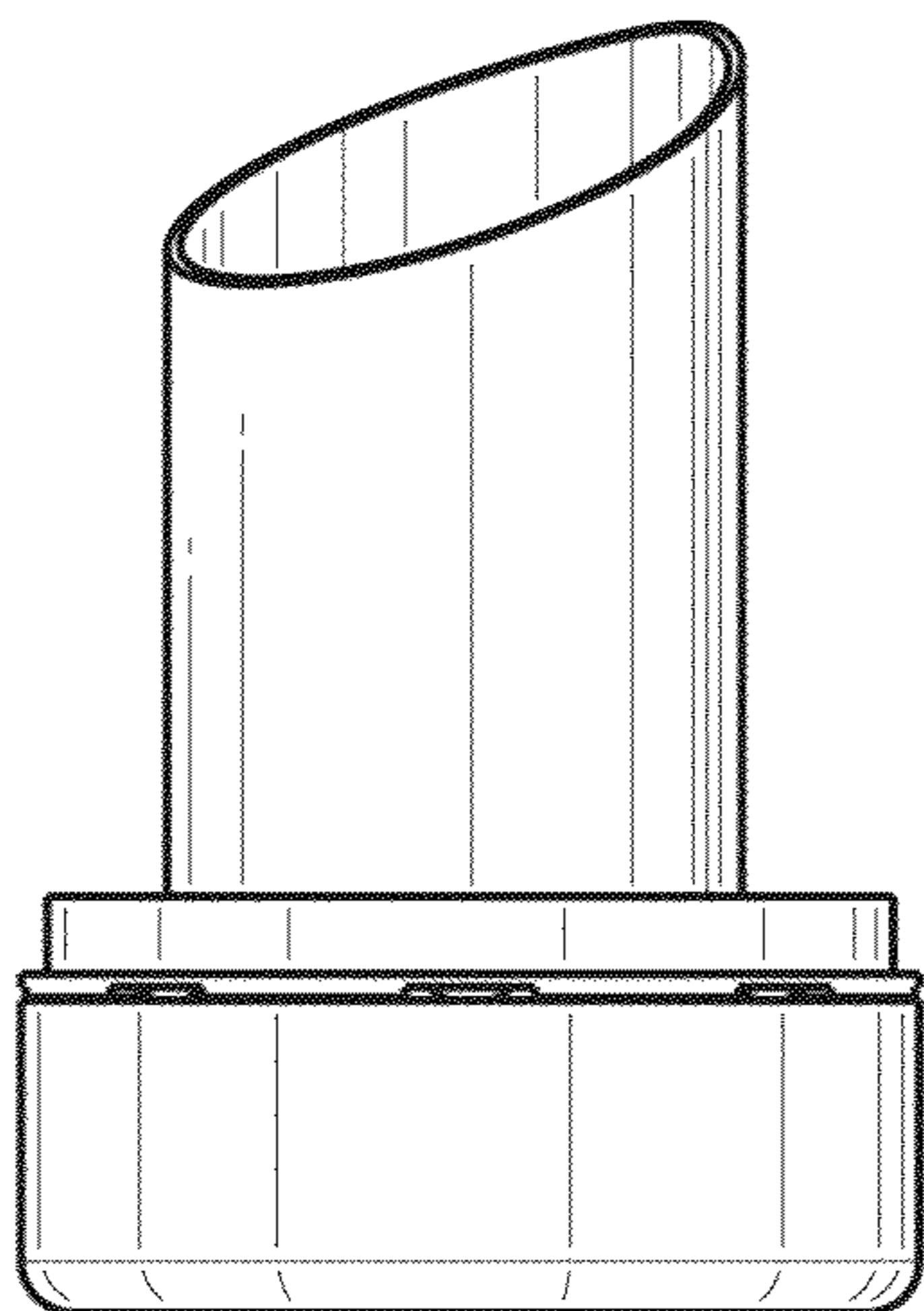


FIG. 4

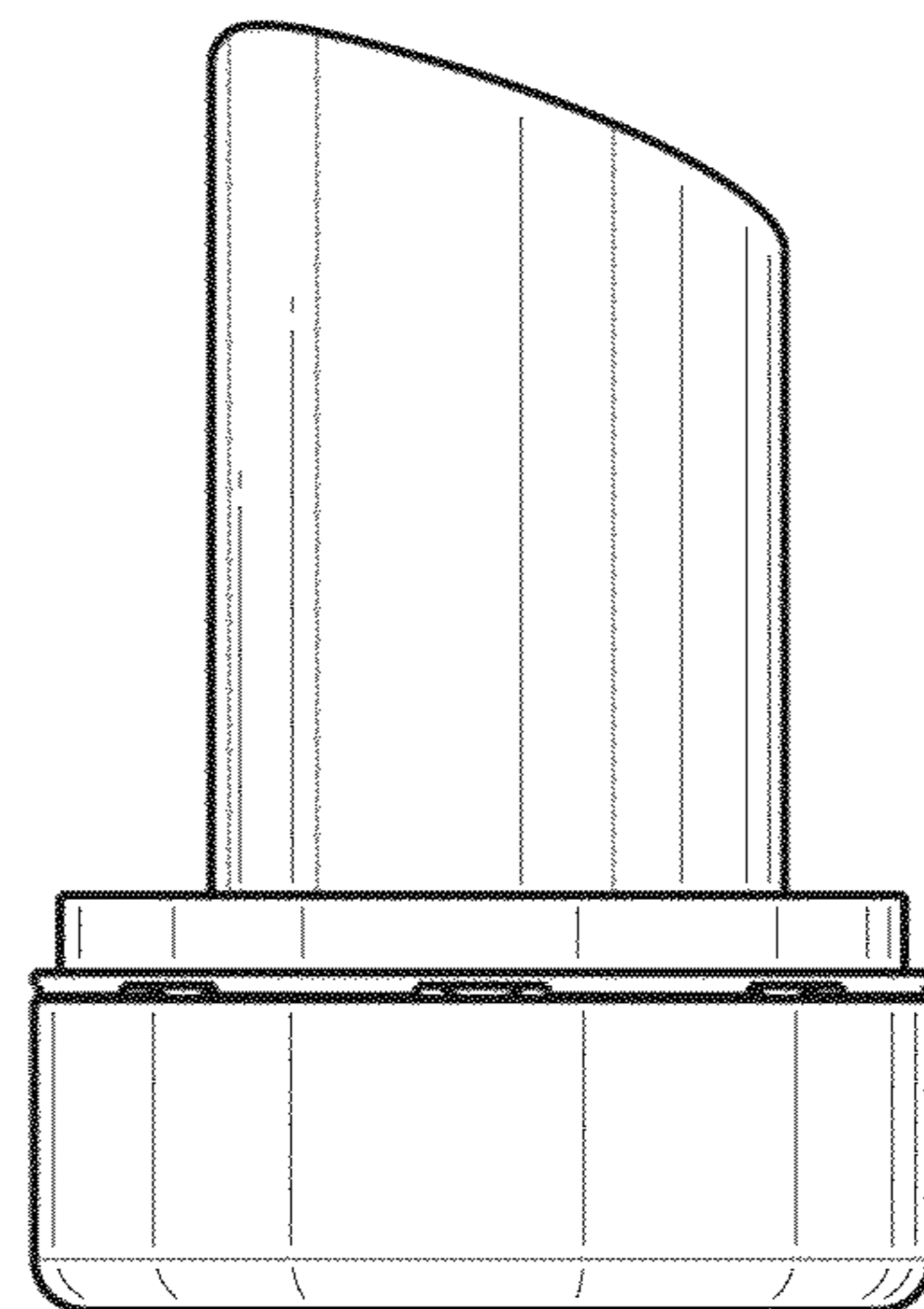


FIG. 5

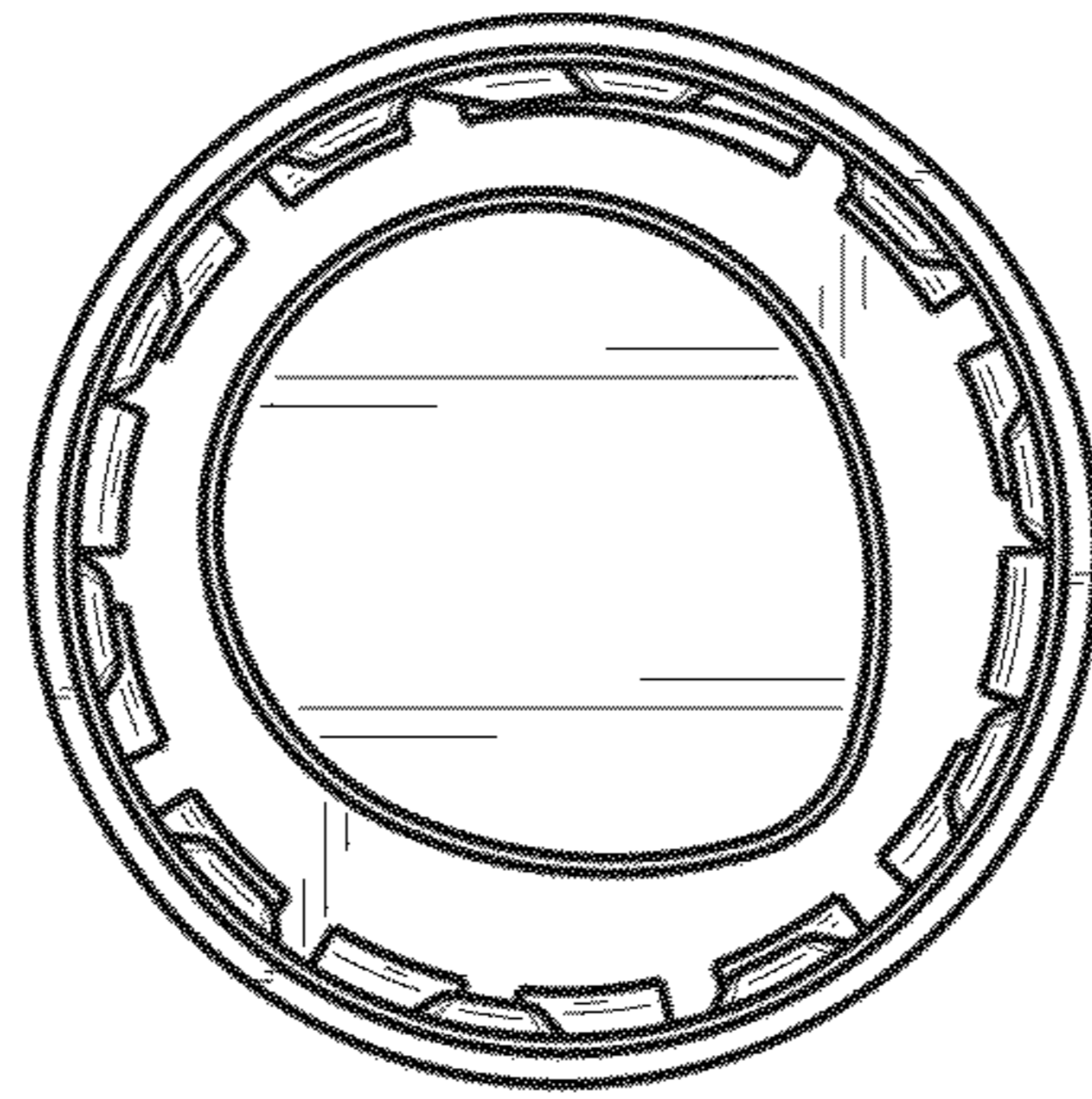


FIG. 6

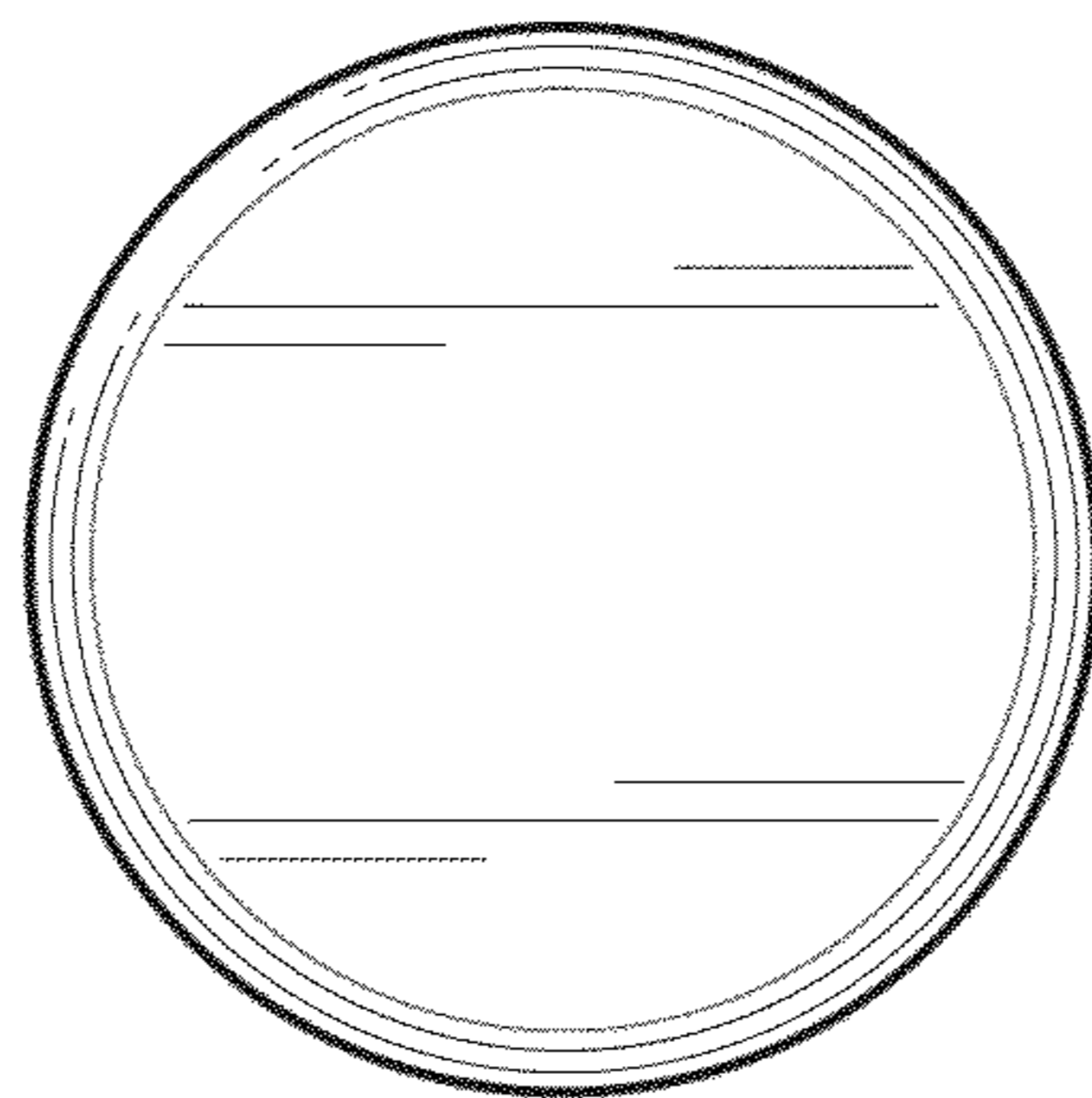


FIG. 7

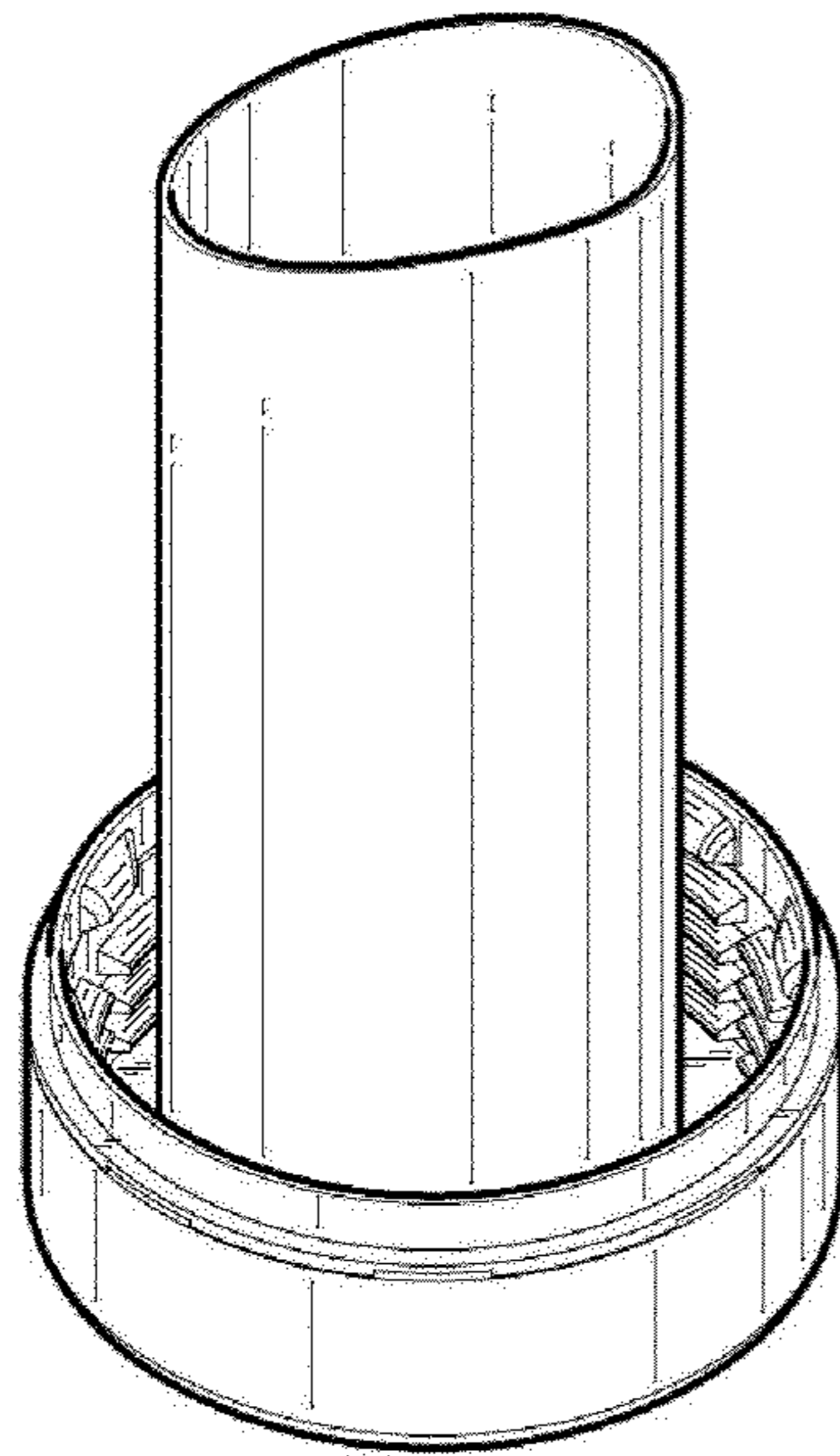


FIG. 8

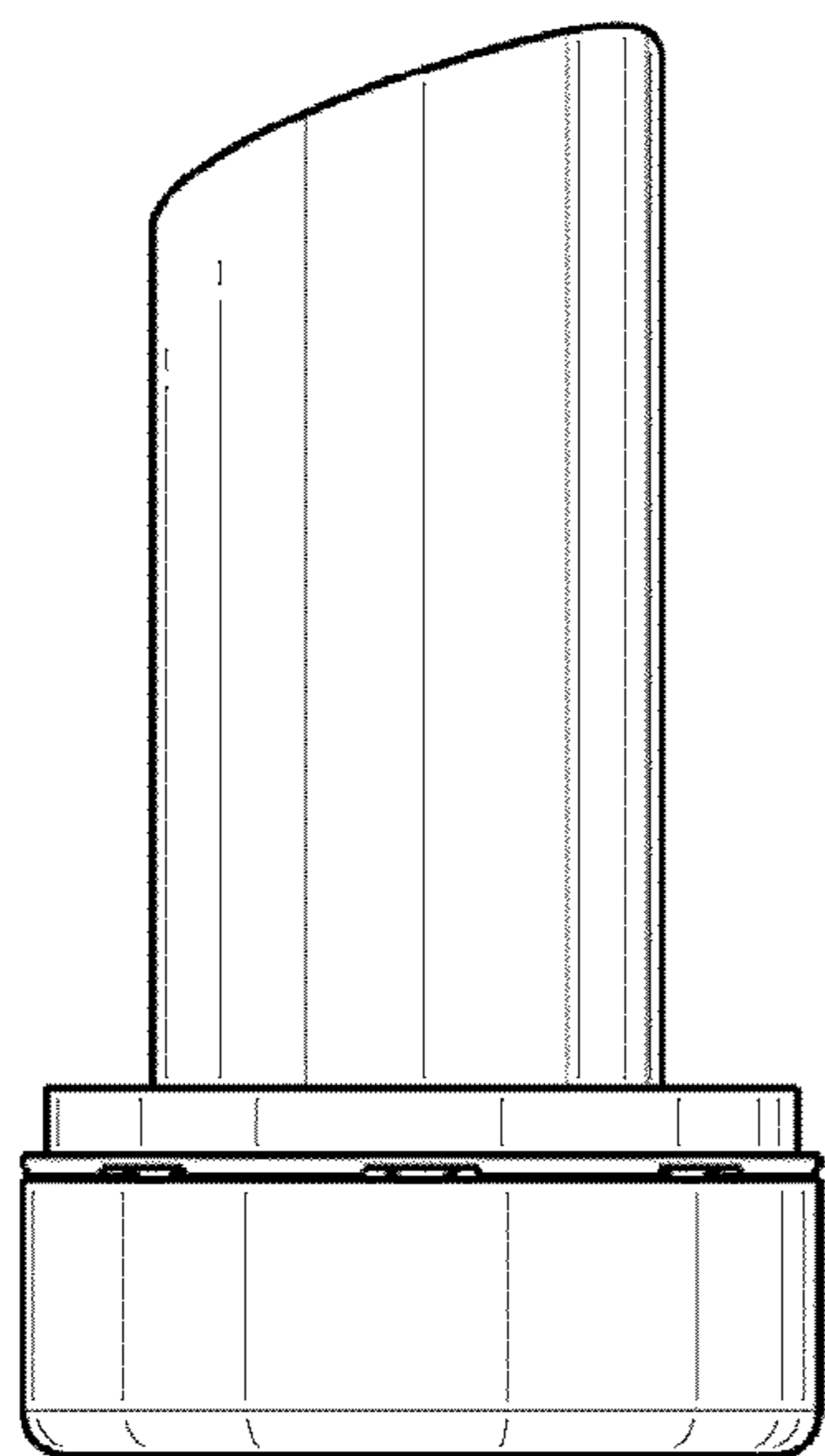


FIG. 9

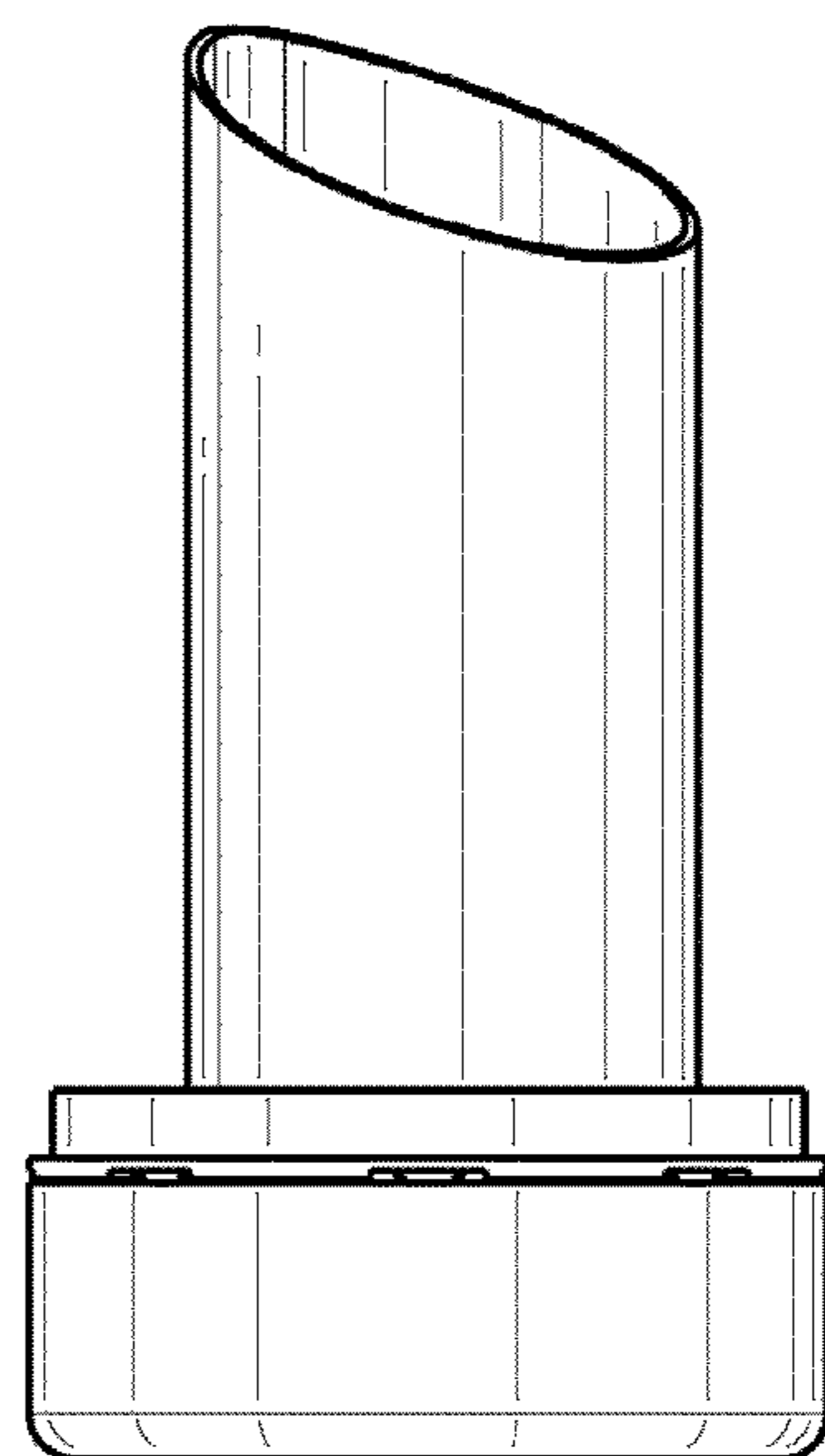


FIG. 10

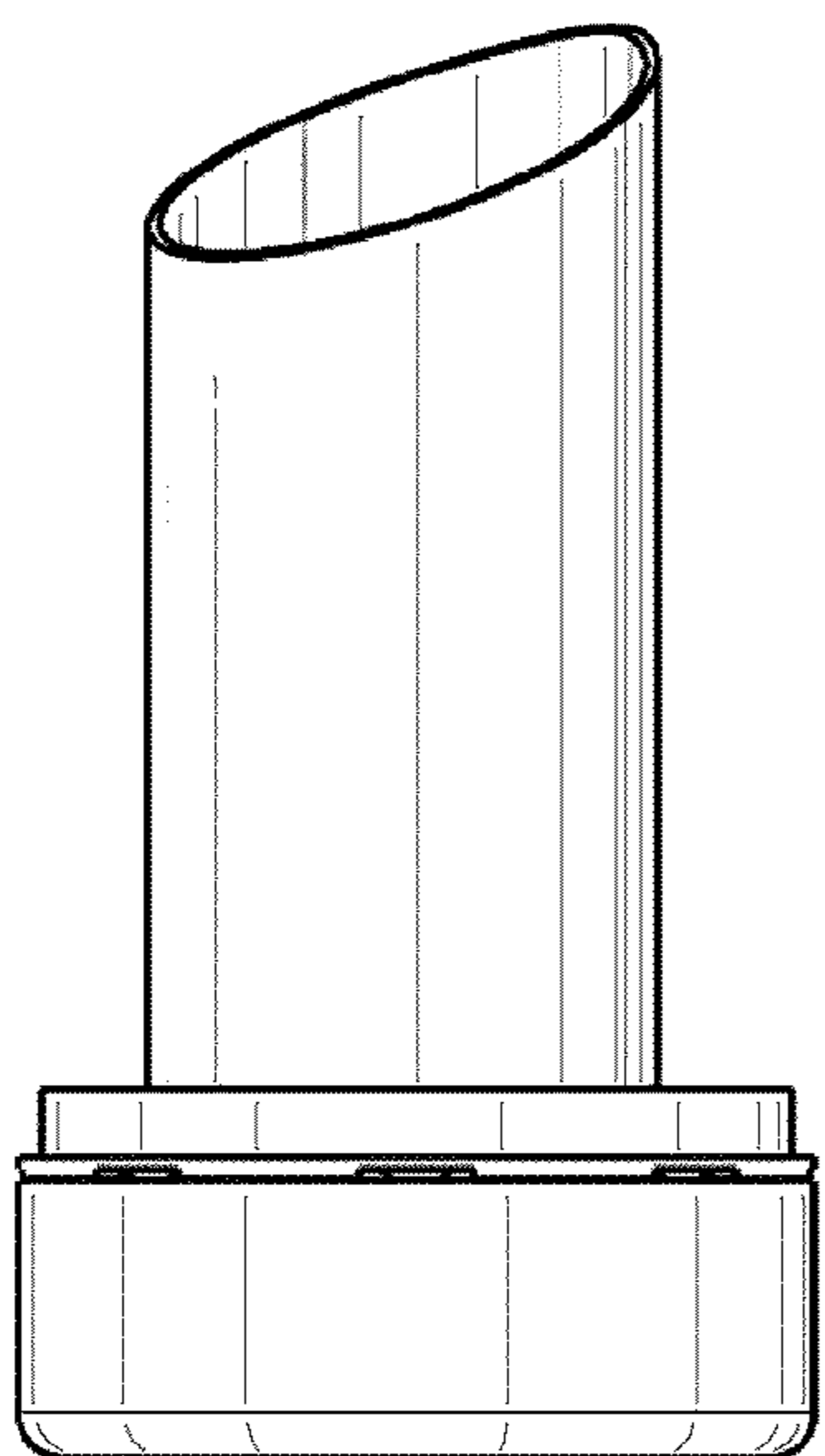


FIG. 11

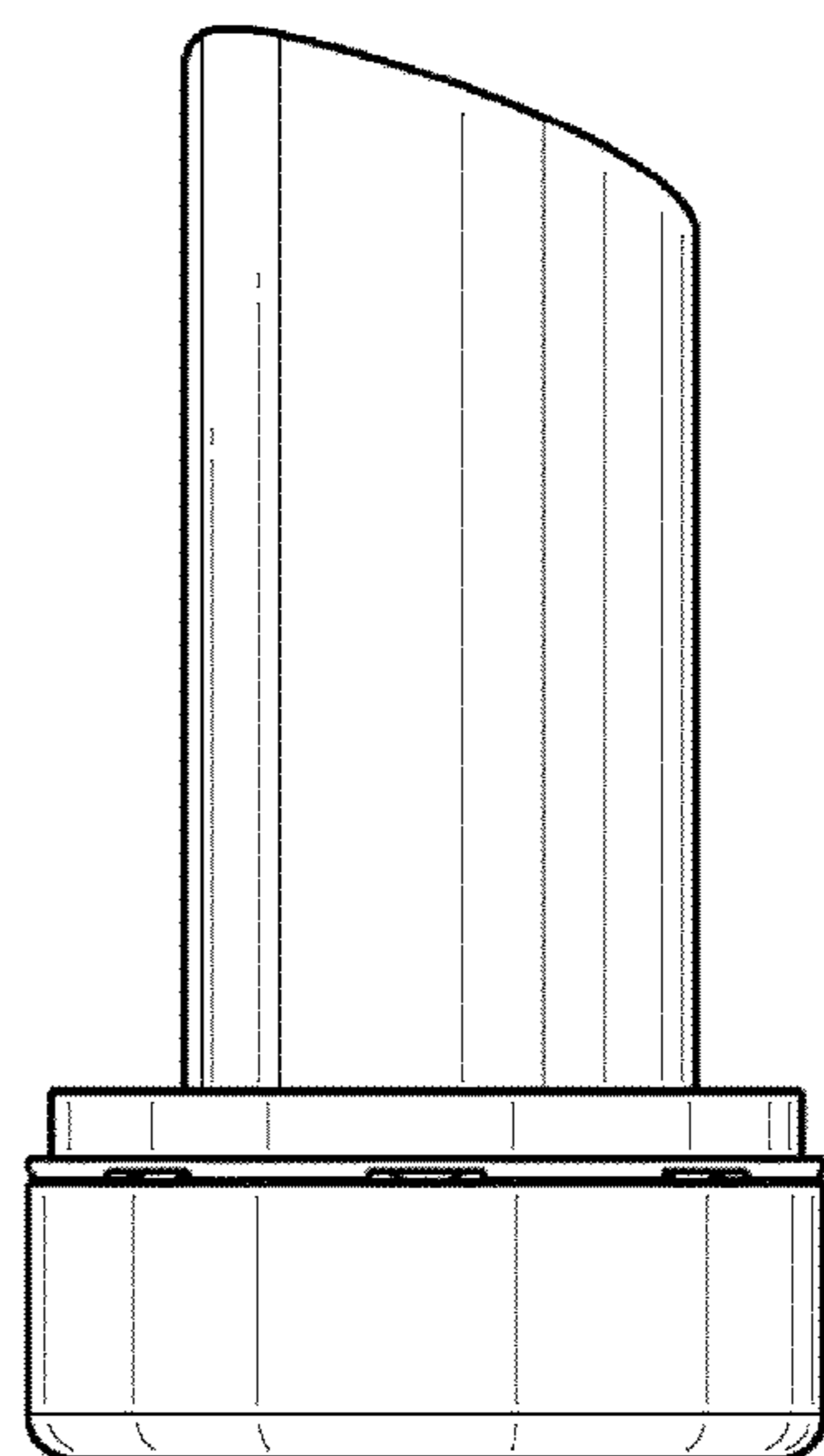


FIG. 12

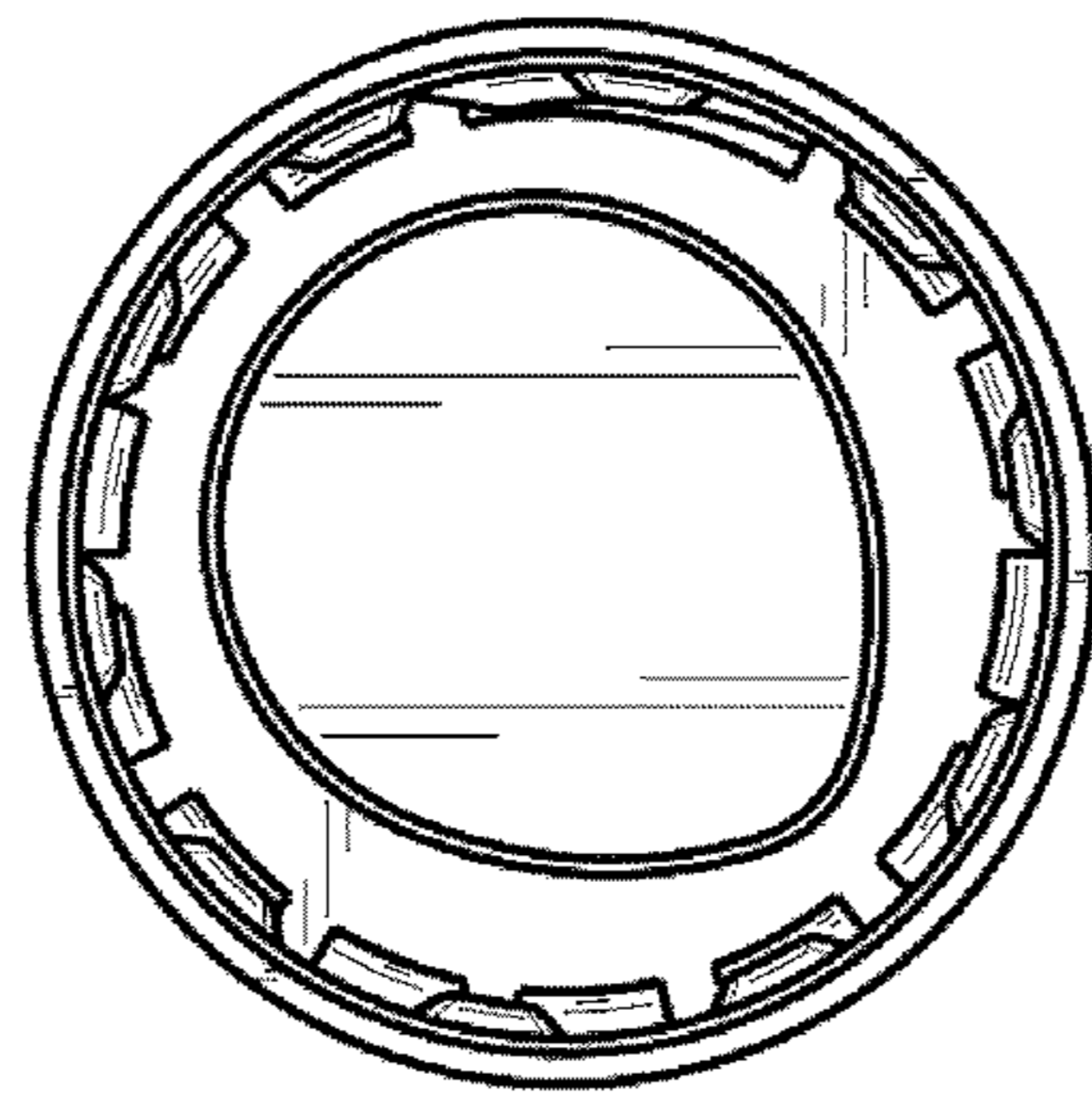


FIG. 13

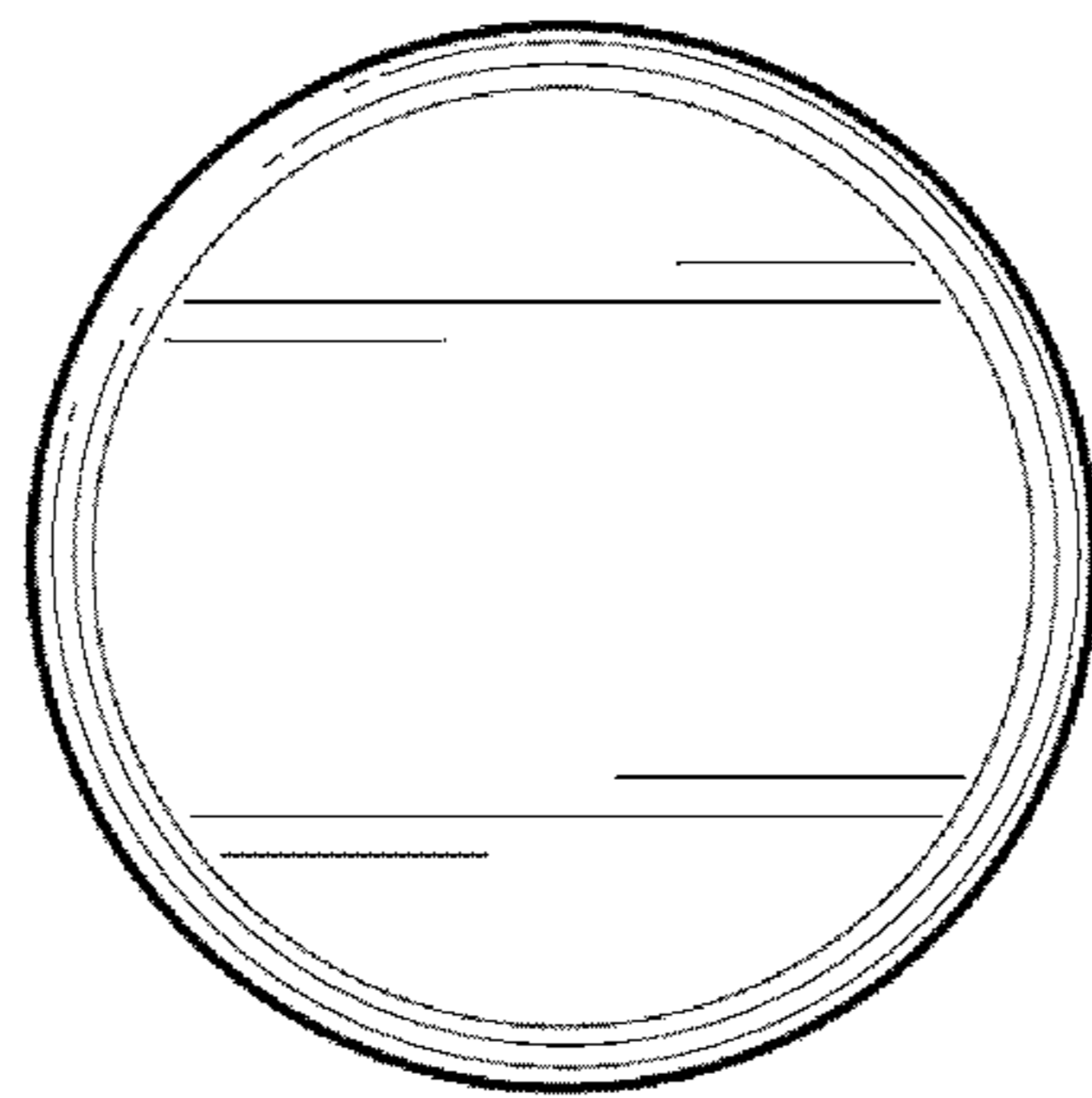


FIG. 14

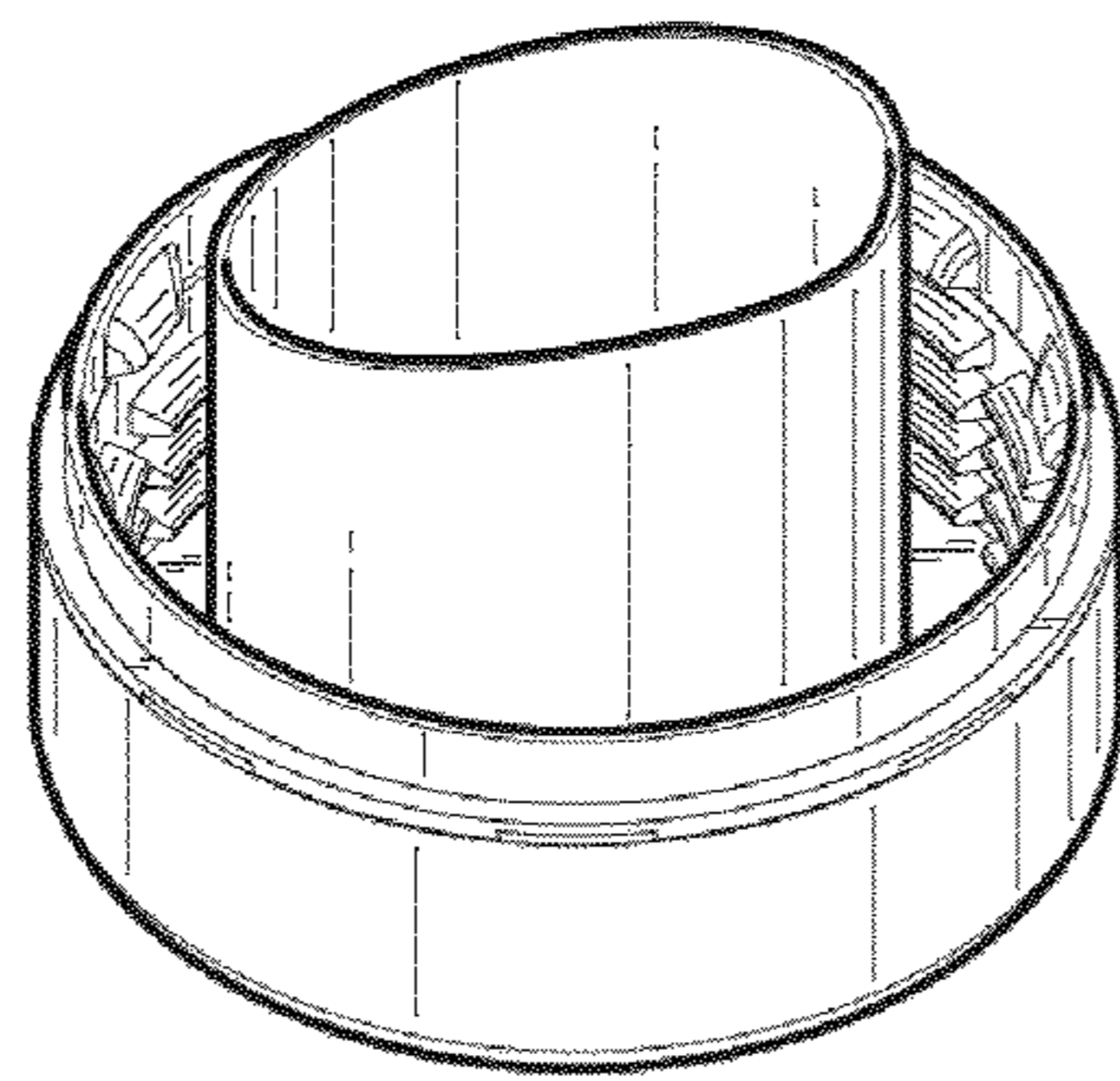


FIG. 15



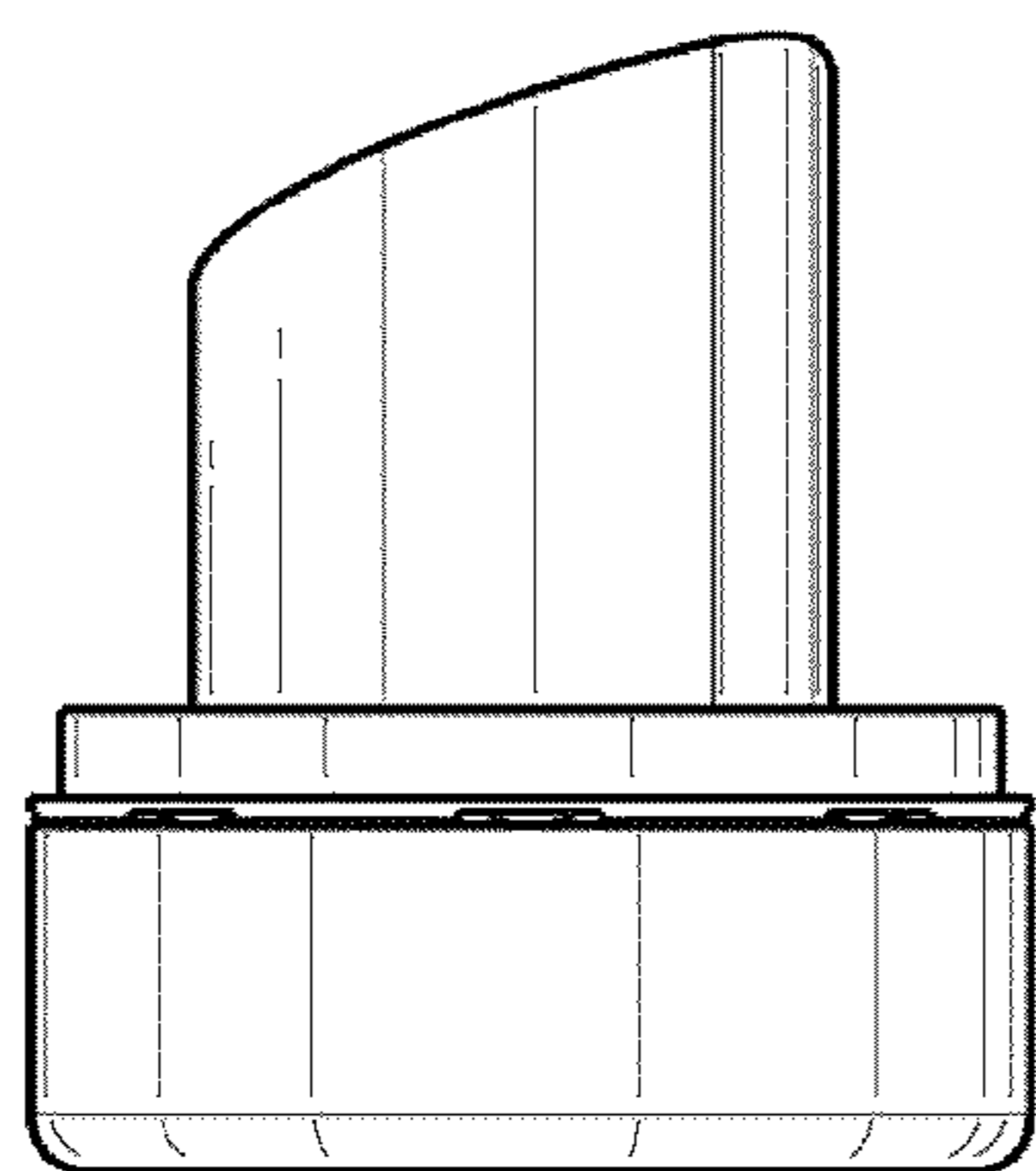


FIG. 16

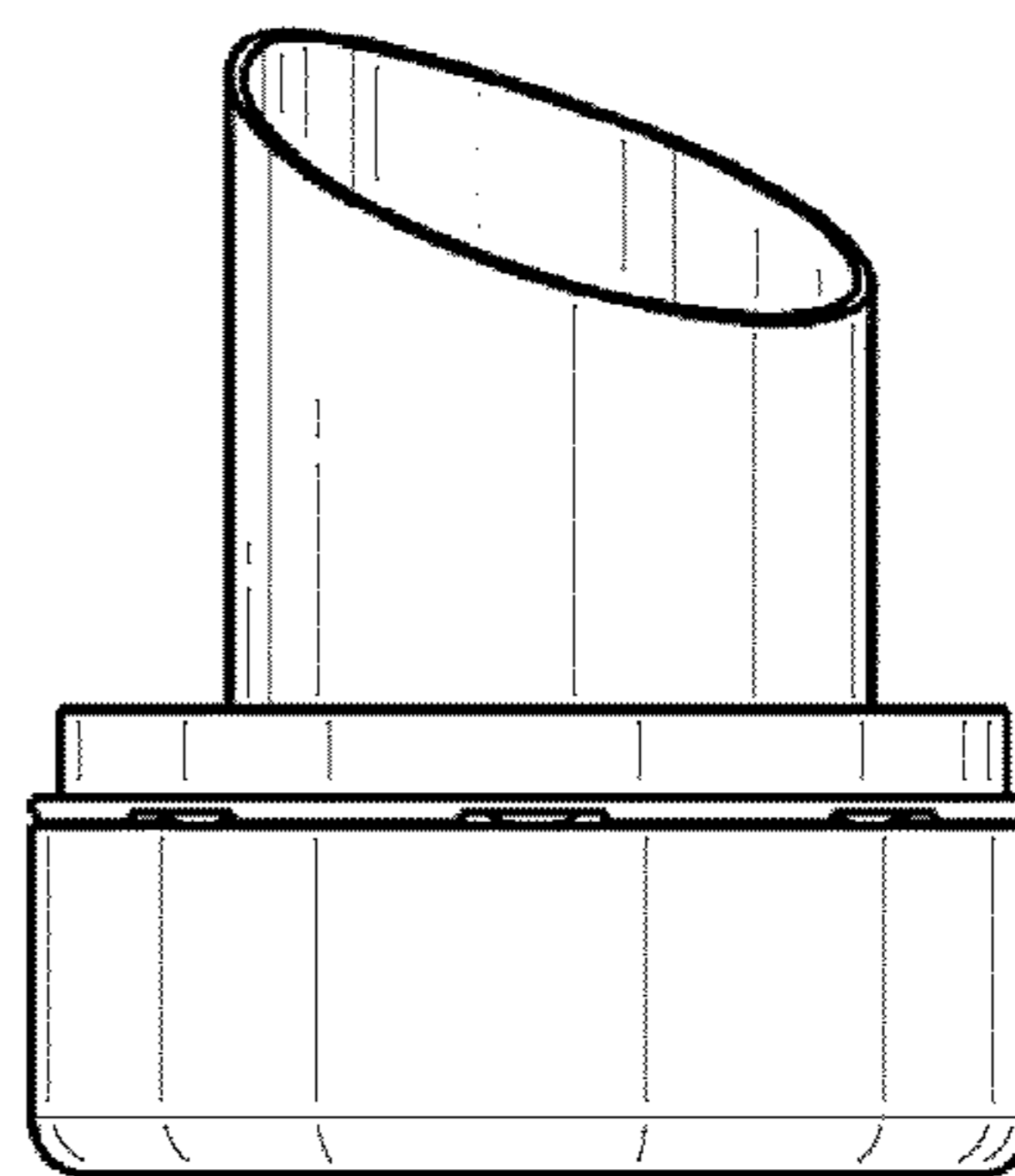


FIG. 17

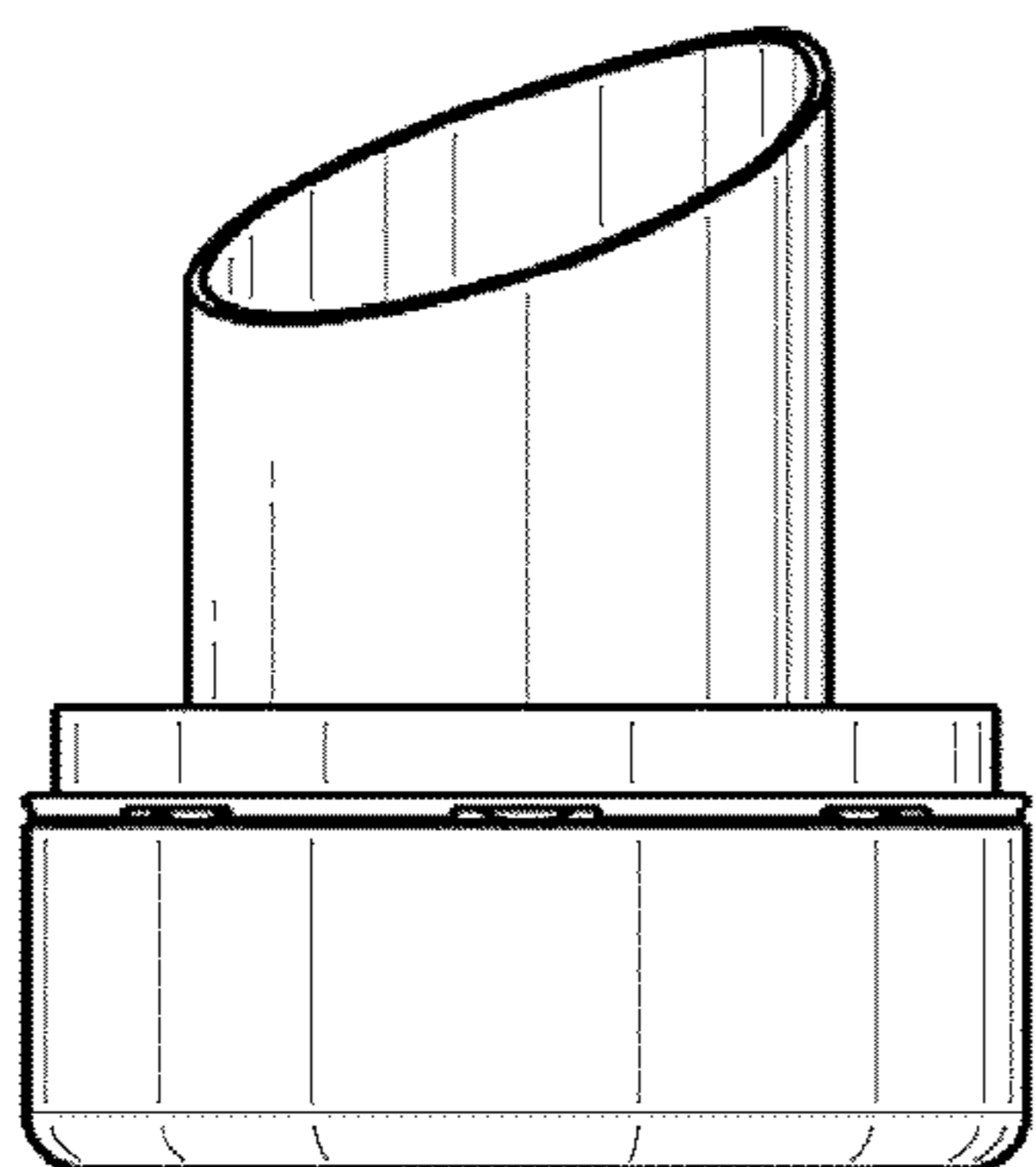


FIG. 18

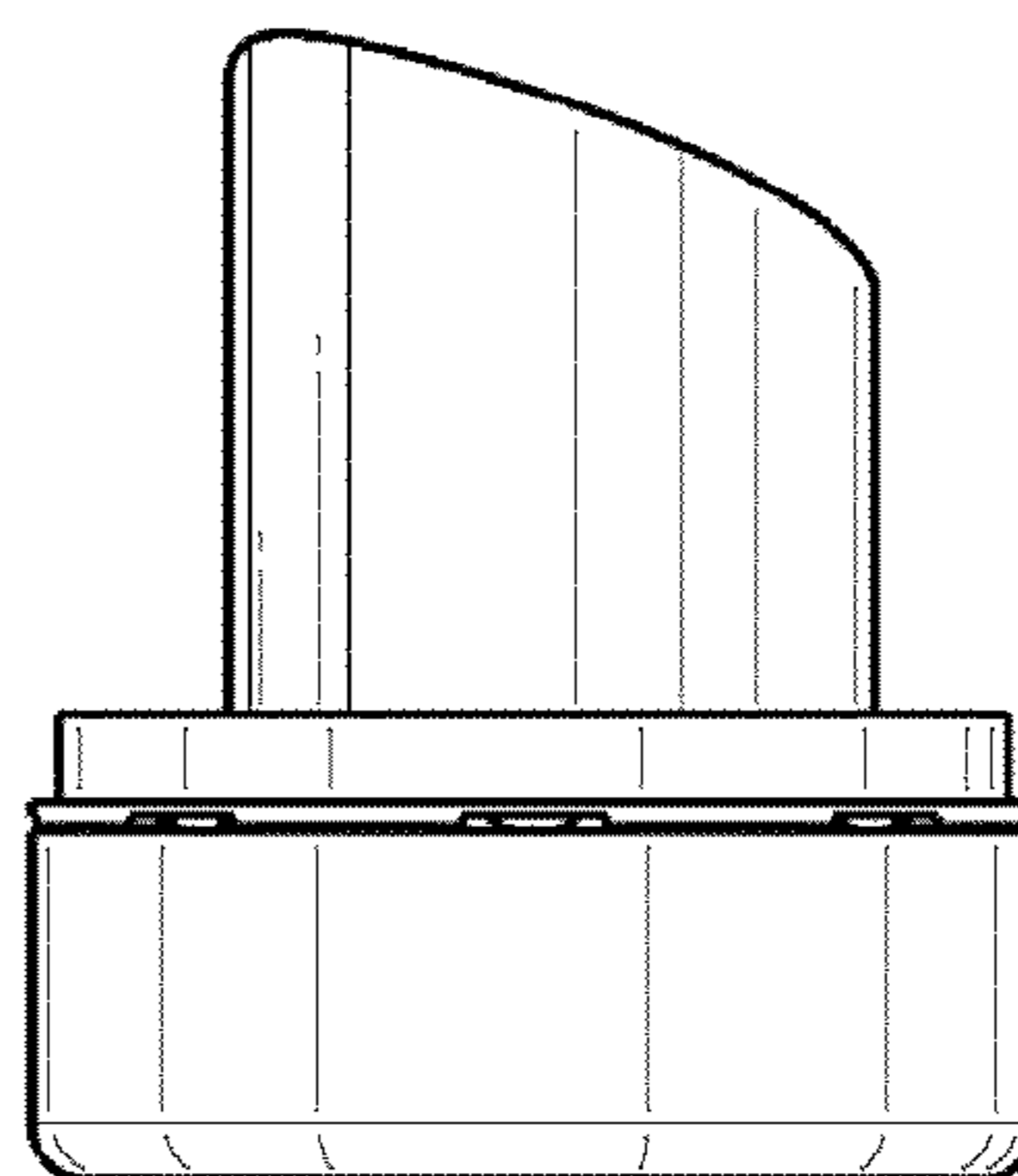


FIG. 19

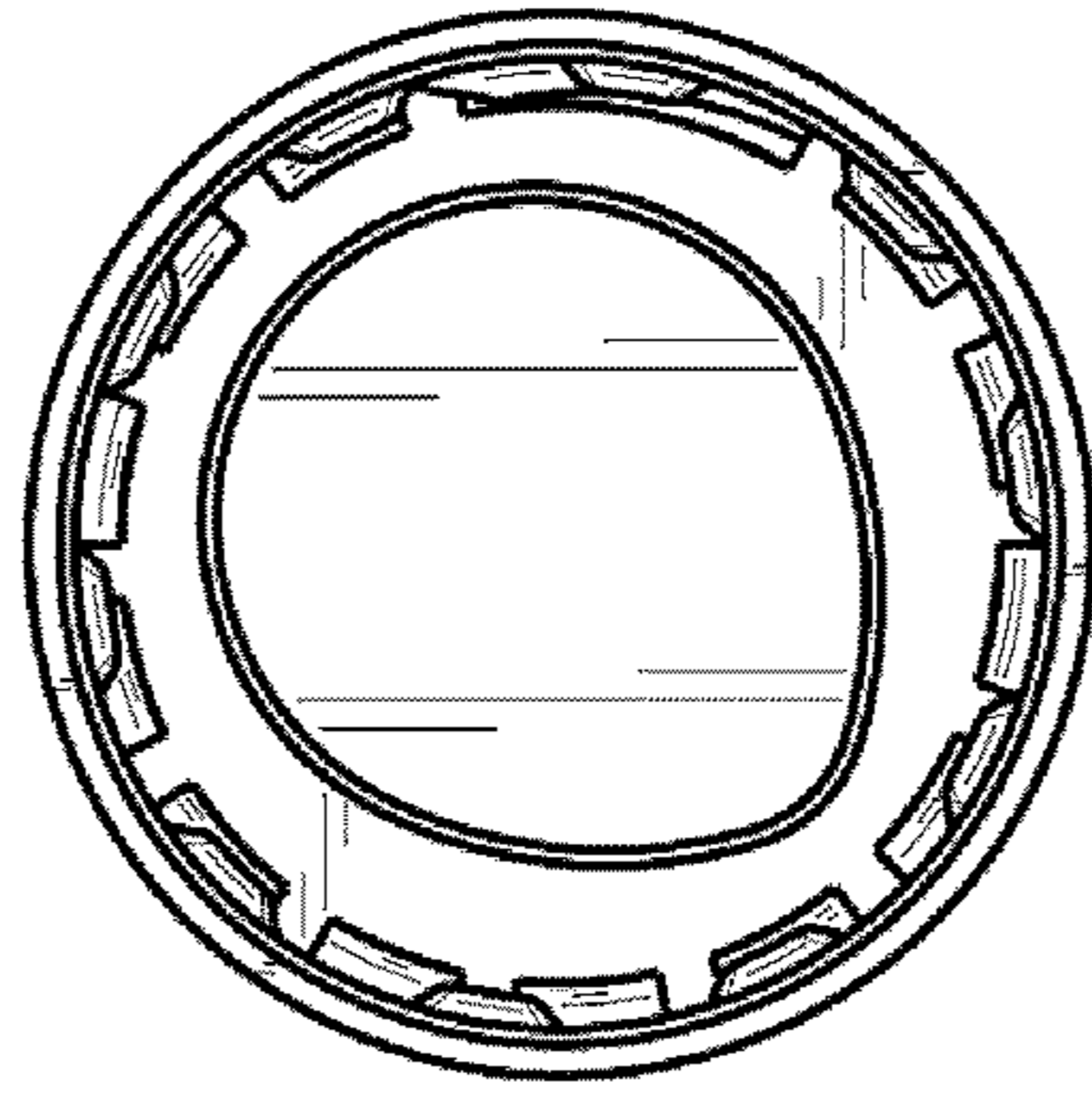


FIG. 20

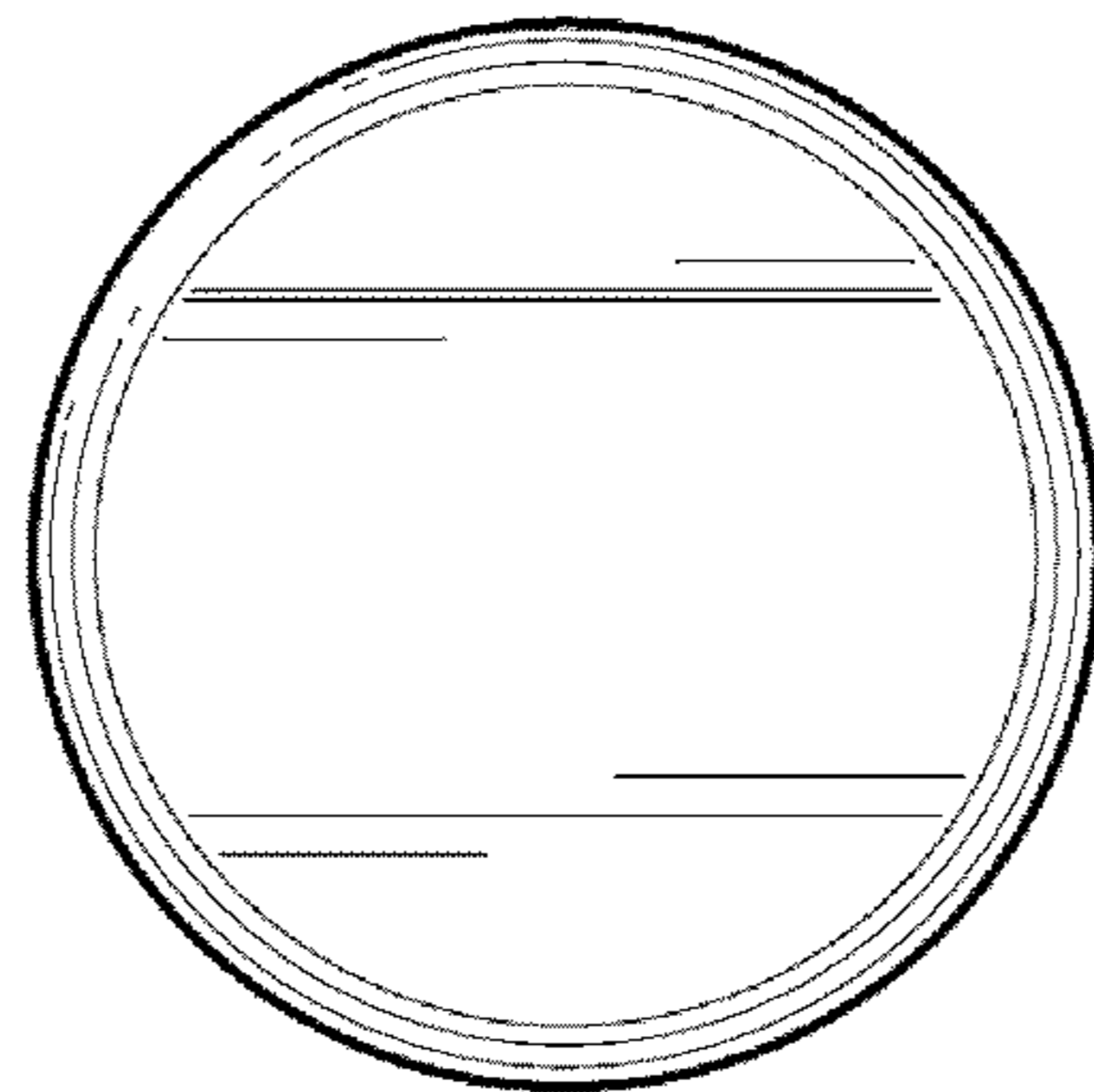


FIG. 21