



US00D690595S

(12) **United States Design Patent**
Jones

(10) **Patent No.:** **US D690,595 S**

(45) **Date of Patent:** **** Oct. 1, 2013**

(54) **PACKAGING CONTAINER**

(75) Inventor: **Christopher Jones**, San Francisco, CA (US)

(73) Assignee: **Google Inc.**, Mountain View, CA (US)

(**) Term: **14 Years**

(21) Appl. No.: **29/425,653**

(22) Filed: **Jun. 26, 2012**

(51) **LOC (9) Cl.** **09-03**

(52) **U.S. Cl.**
USPC **D9/433; D9/421**

(58) **Field of Classification Search**
USPC D9/430-433, 414, 418, 420-423, D9/529, 560; 206/278, 297, 299, 433, 457, 206/770, 737, 769, 776, 777, 778, 320; 229/100, 101, 103.3, 106, 107, 108, 108.1, 229/109, 110, 112, 116, 116.5, 117, 117.01, 229/117.05, 117.03-117.08, 121, 122, 122.24, 229/122.29, 125.015, 126, 152, 181.1, 185.1, 229/186, 201, 917, 922, 923, 930-933, 935, 229/937, 939, 942; 220/796
See application file for complete search history.

(56) **References Cited**

U.S. PATENT DOCUMENTS

D291,534	S	*	8/1987	Hamilton et al.	D9/761
5,772,018	A	*	6/1998	Walch	206/308.1
5,950,821	A	*	9/1999	Moser	206/308.1
D478,513	S	*	8/2003	Canamasas Puigbo	D9/529
D519,367	S	*	4/2006	Alexander	D9/433
7,028,835	B1	*	4/2006	Rajter, Jr.	206/308.1
D592,968	S	*	5/2009	Lee et al.	D9/600

D596,485	S	*	7/2009	Andre et al.	D9/737
D600,964	S	*	9/2009	Eliaš et al.	D6/626
D600,965	S	*	9/2009	Eliaš et al.	D6/626
D615,320	S	*	5/2010	Griffin et al.	D6/407
D652,294	S	*	1/2012	Seneca et al.	D9/433
D660,723	S	*	5/2012	Akana et al.	D9/737
D666,090	S	*	8/2012	DeBusk	D9/433
D674,709	S	*	1/2013	Akana et al.	D9/737

* cited by examiner

Primary Examiner — Thomas Johannes

(74) *Attorney, Agent, or Firm* — Morris & Kamlay LLP

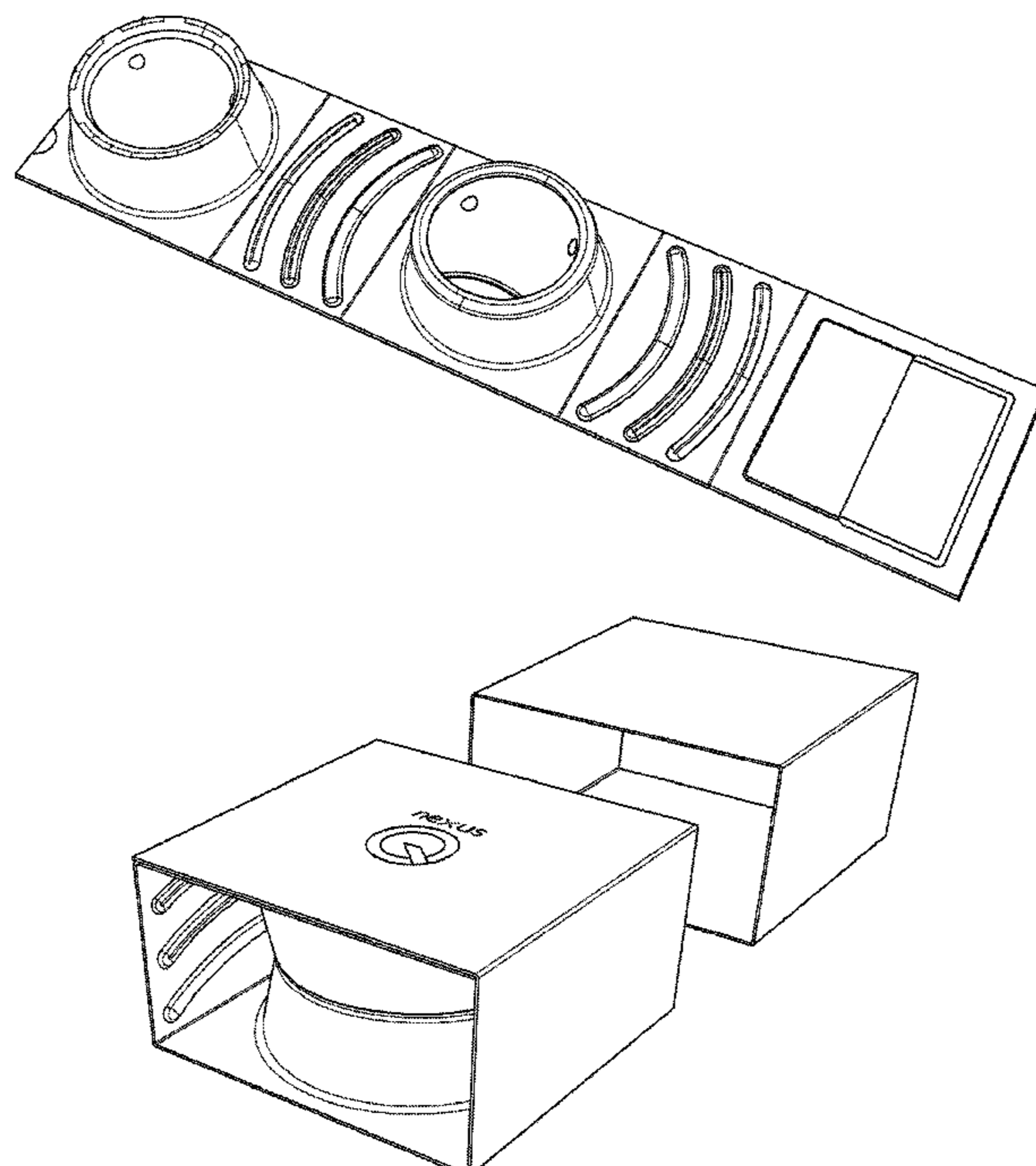
(57) **CLAIM**

The ornamental design for packaging container, as shown and described.

DESCRIPTION

FIG. 1 is an opened, unfolded top view of a packaging container according to my design shown without the outer sleeve for clarity of illustration;
 FIG. 2 is an opened, unfolded side elevation view thereof;
 FIG. 3 is a perspective view thereof;
 FIG. 4 is a top elevation view of a closed and folded condition;
 FIG. 5 is an open side elevation view thereof;
 FIG. 6 is an inverted, open side elevation view thereof;
 FIG. 7 is a side elevation view thereof;
 FIG. 8 is another side elevation view thereof;
 FIG. 9 is a perspective view thereof in a use condition including the outer sleeve;
 FIG. 10 is a perspective view thereof in a use condition with the outer sleeve in a separated position;
 FIG. 11 is a view thereof showing an opened, partially unfolded package with the outer absent; and,
 FIG. 12 is a detailed cross-sectional view thereof excluding the outer sleeve taken in the direction of line 12-12 in FIG. 4.

1 Claim, 6 Drawing Sheets



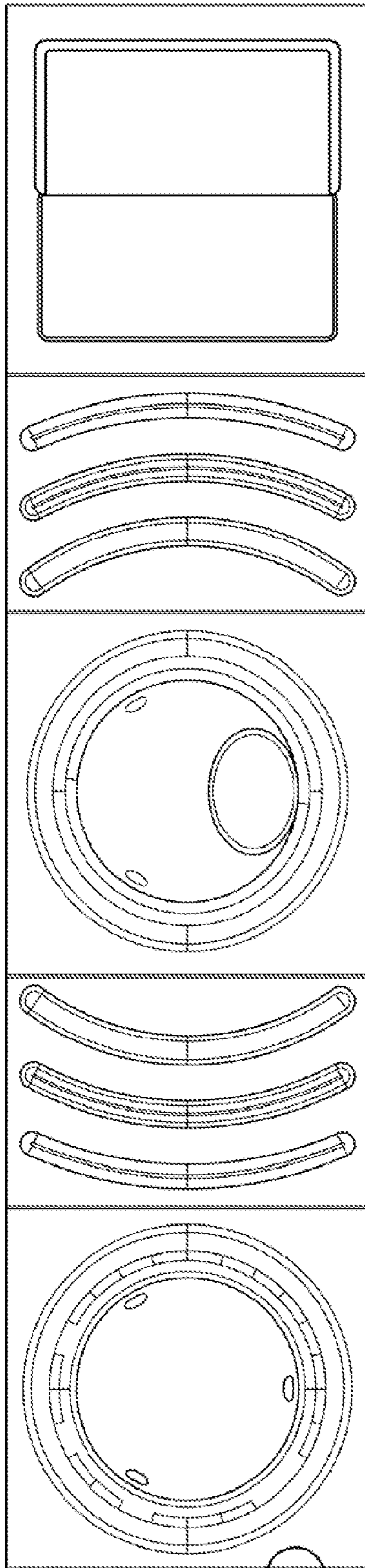


FIG. 1

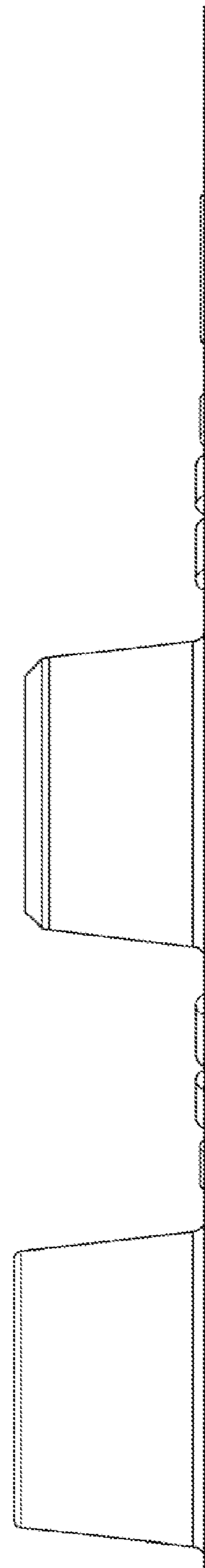


FIG. 2

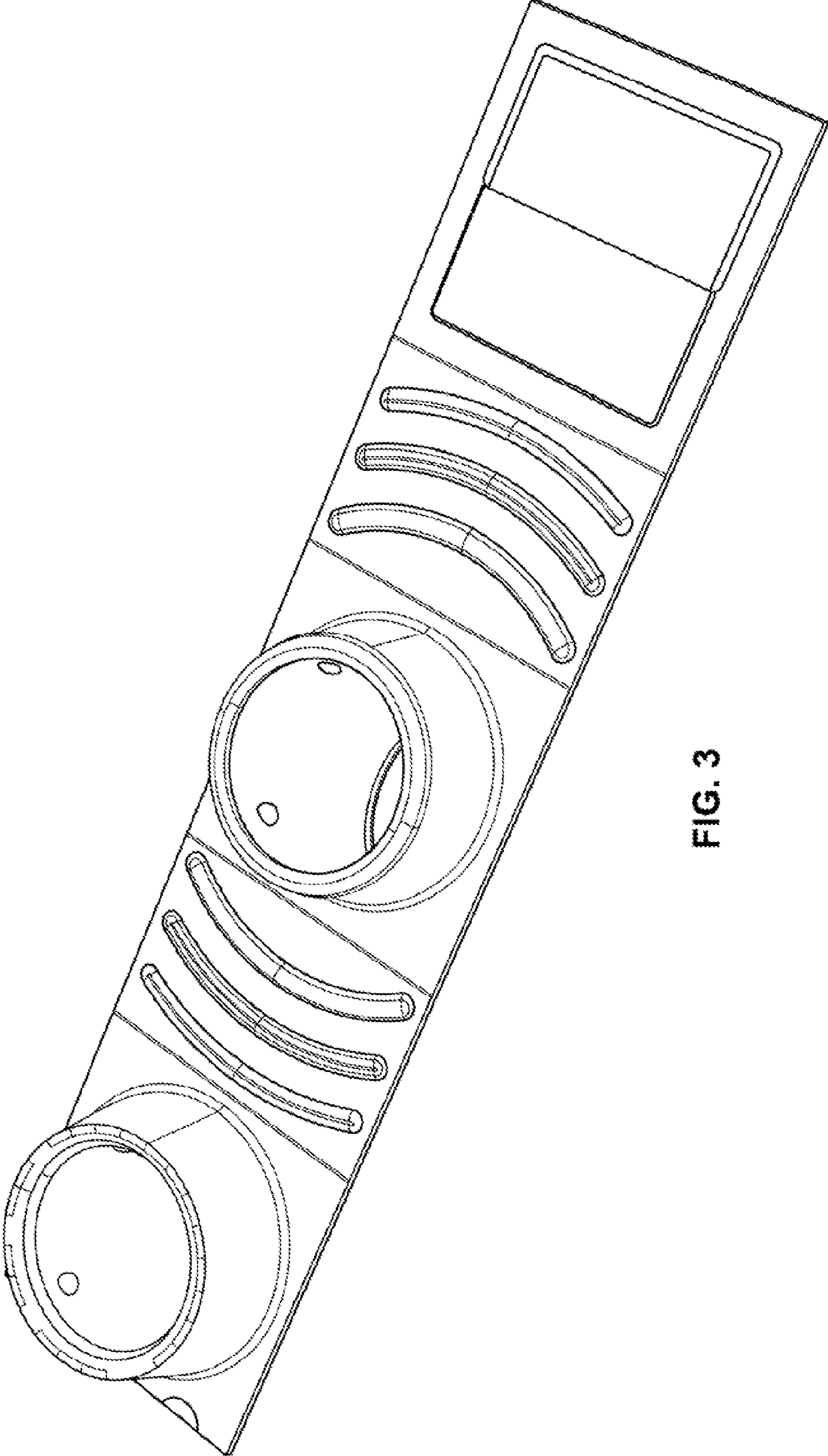


FIG. 3

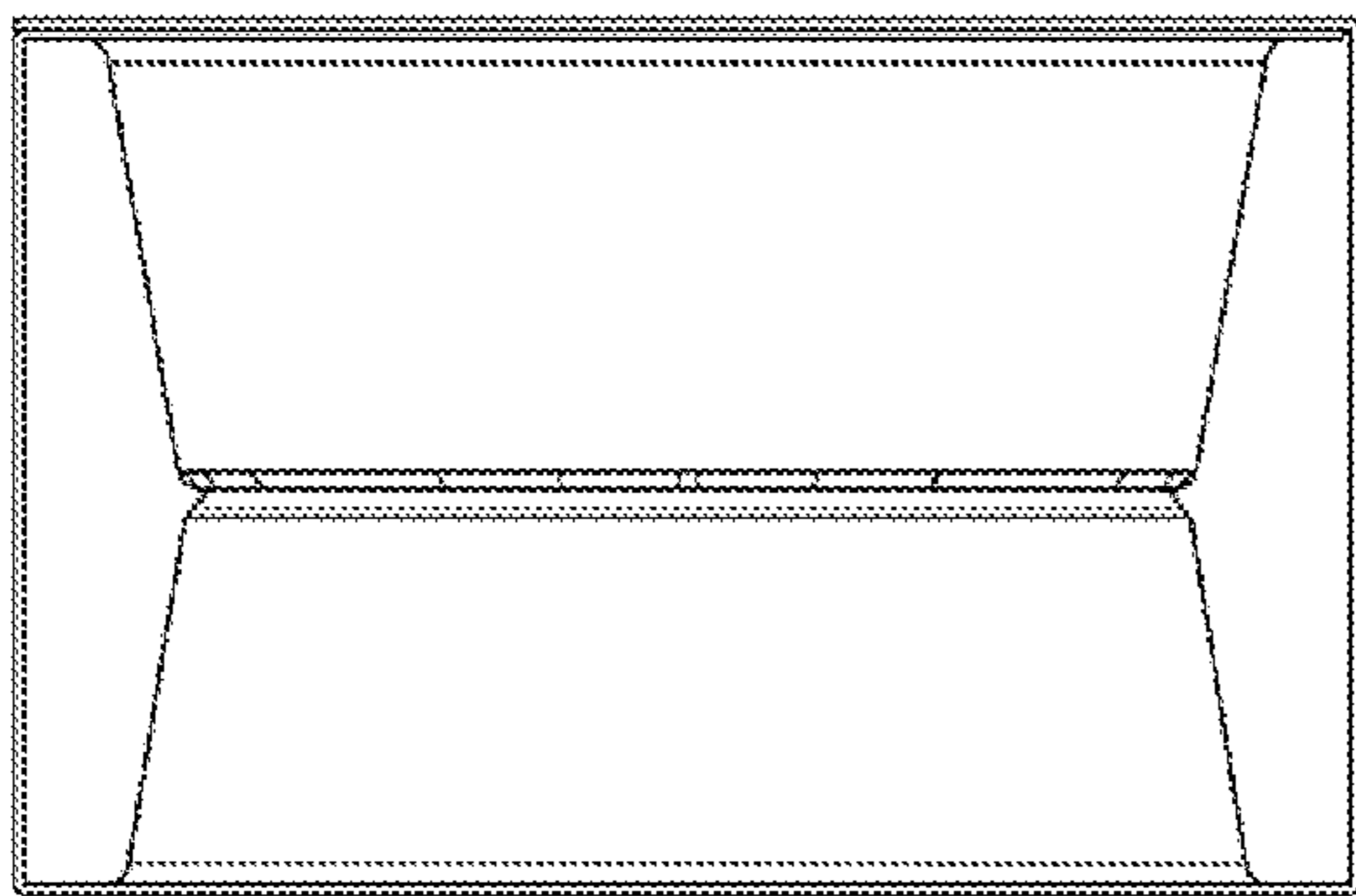
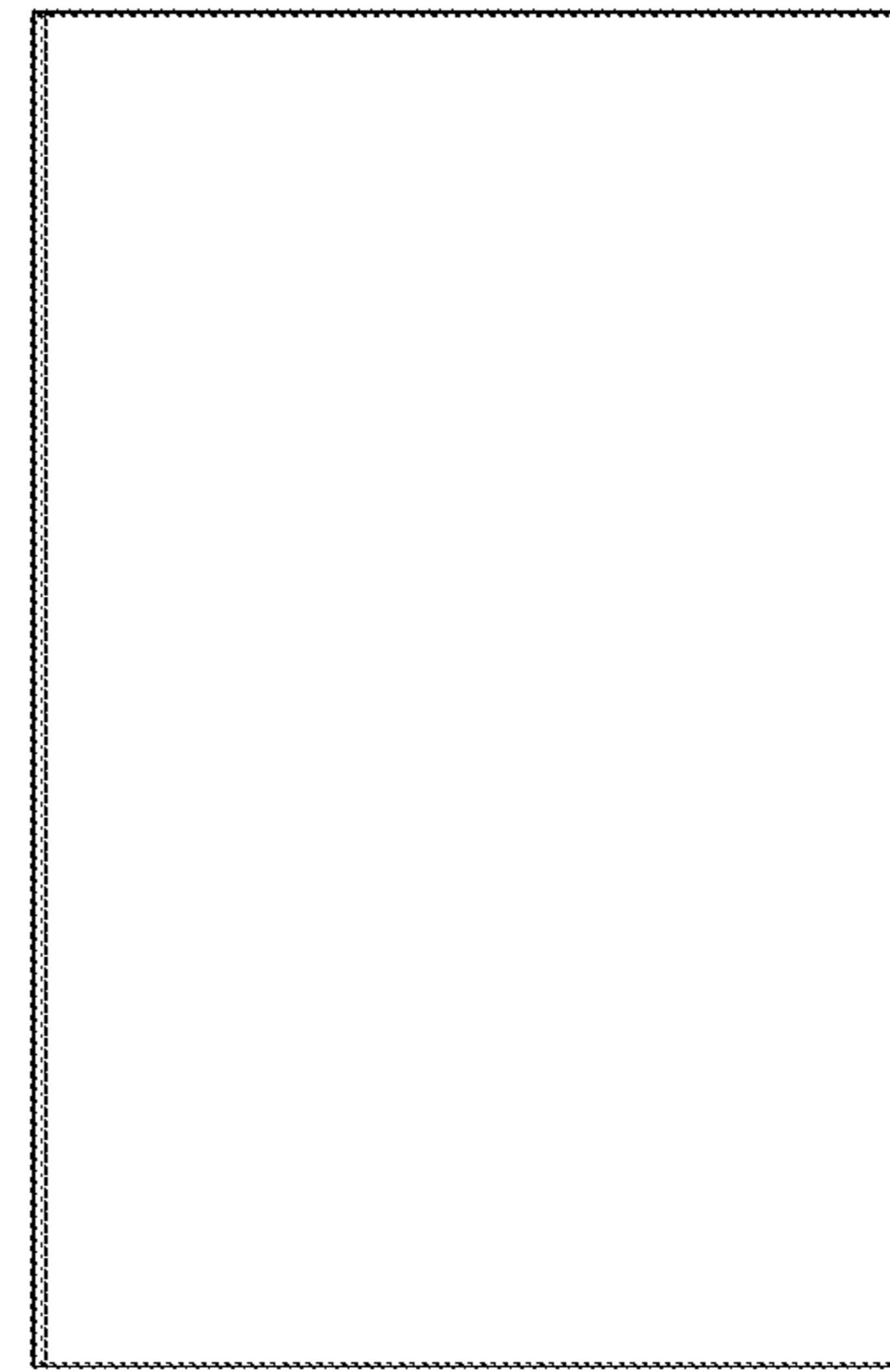
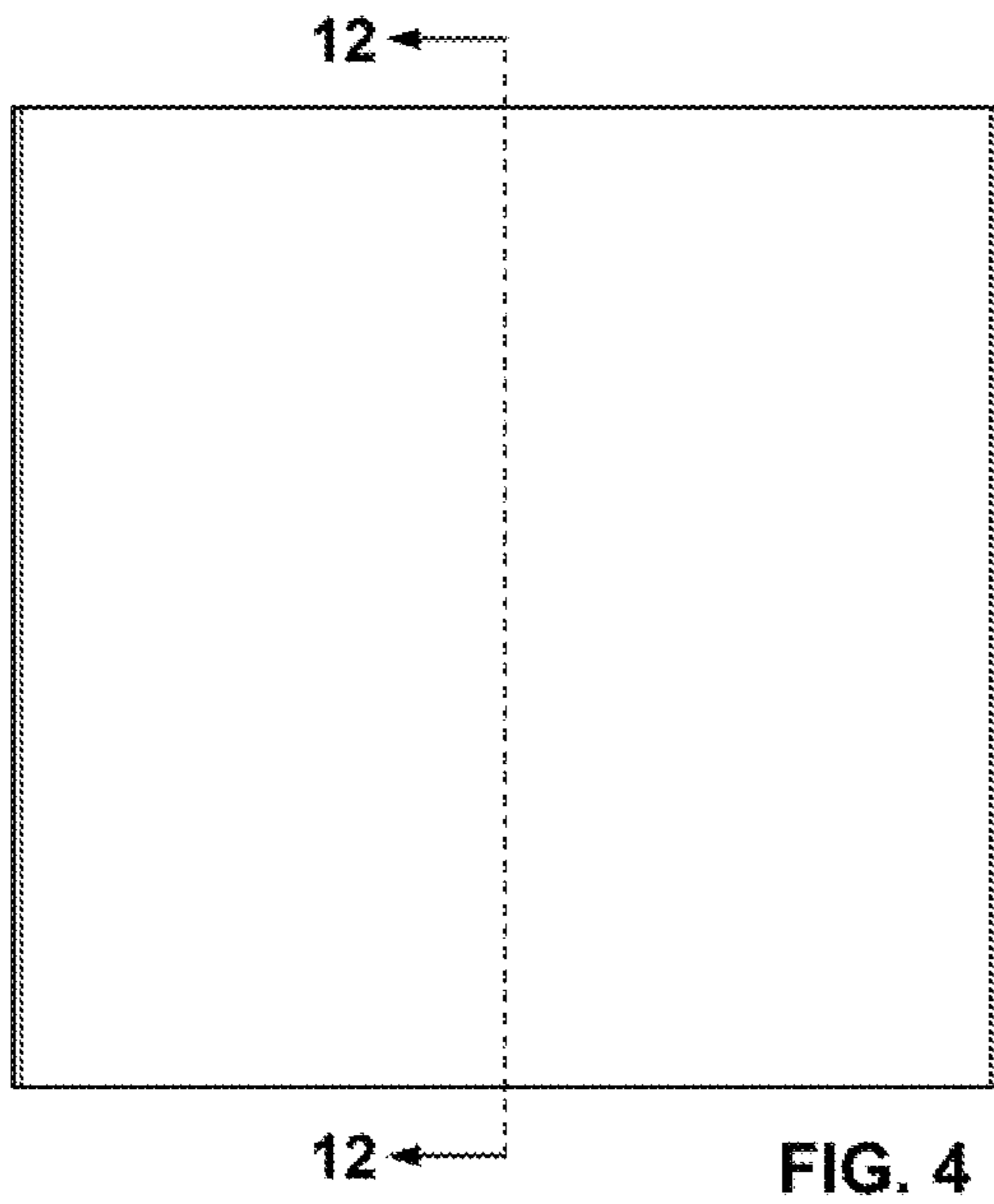


FIG. 7

FIG. 5

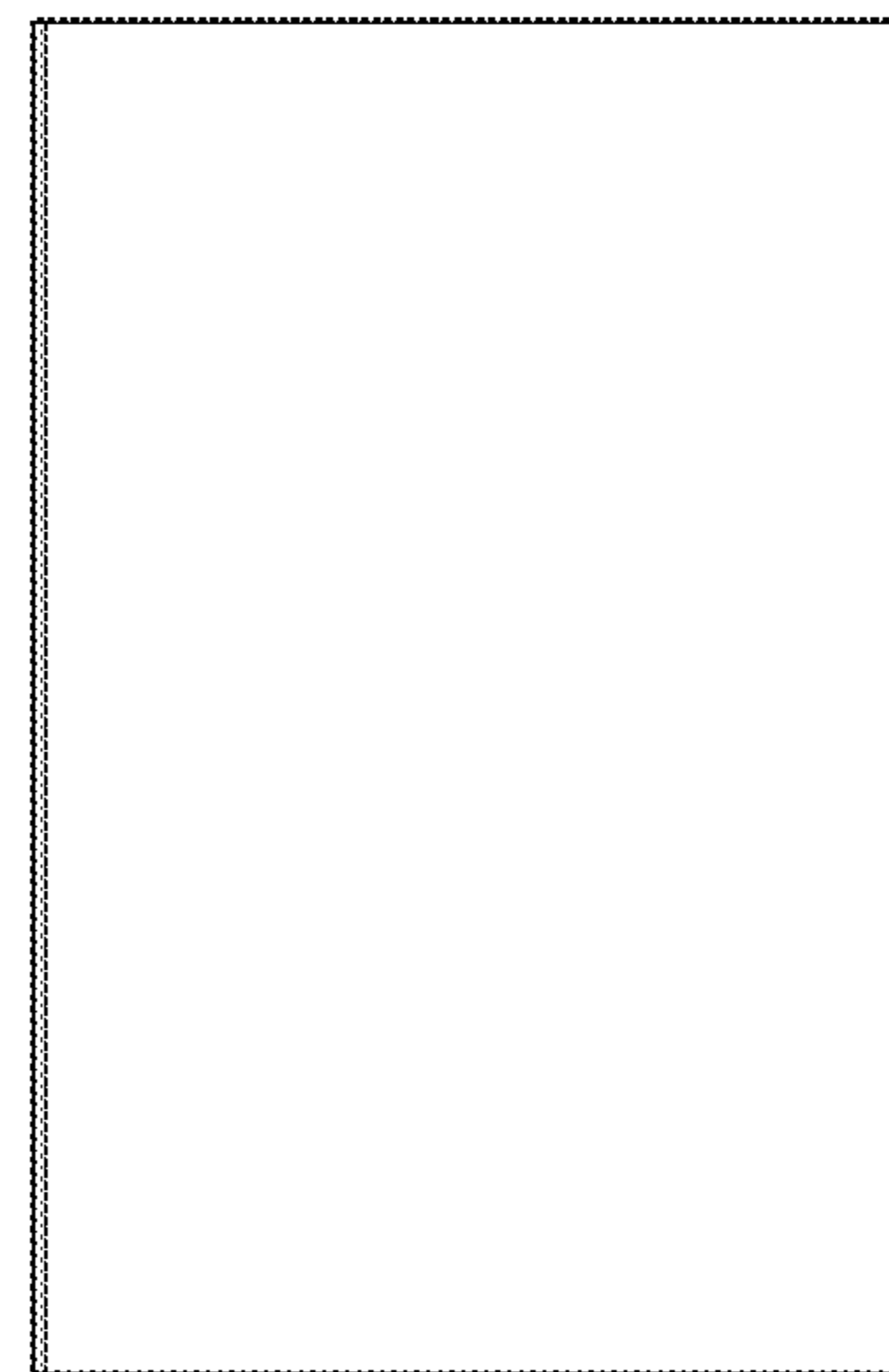
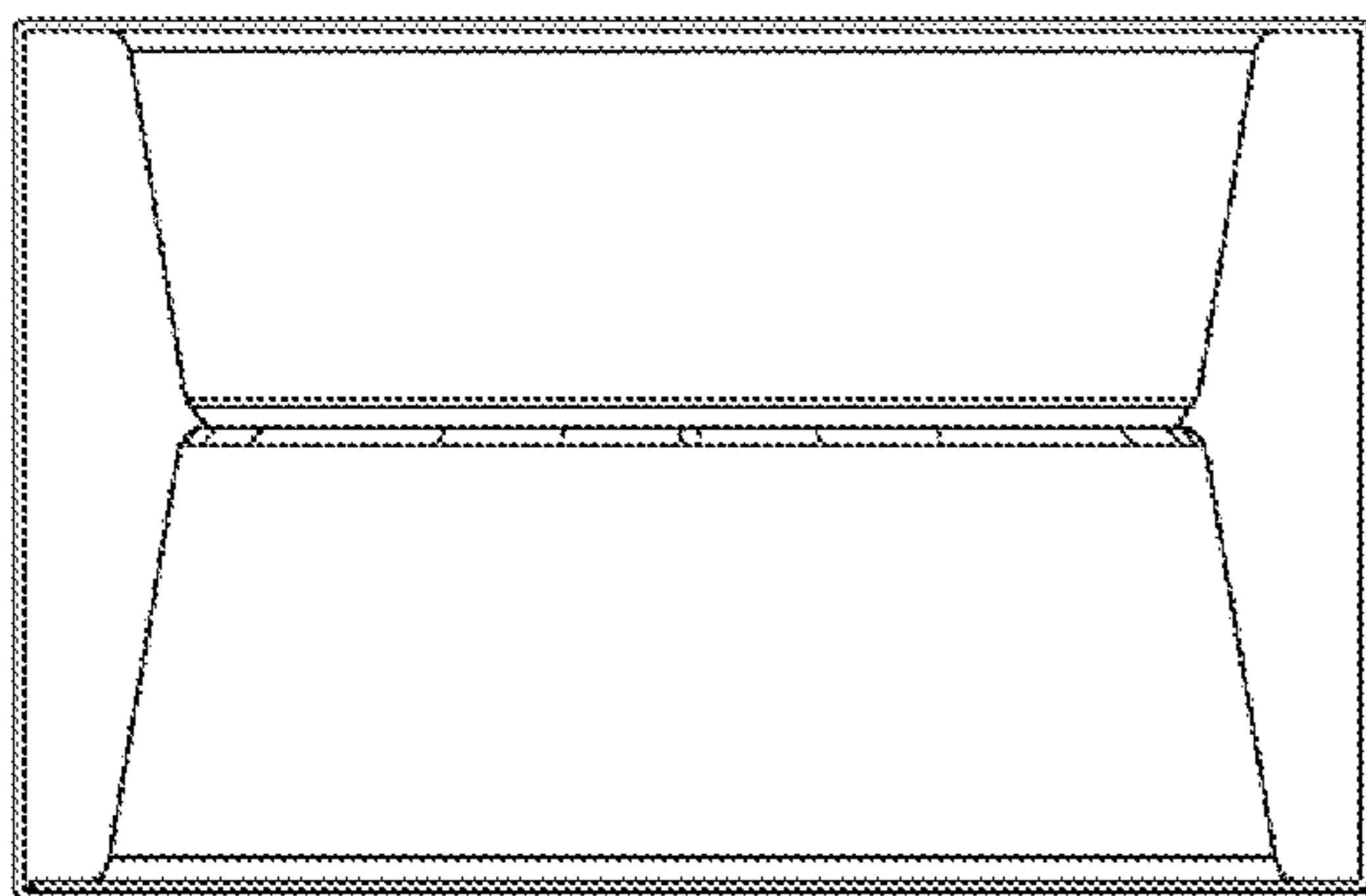


FIG. 6

FIG. 8

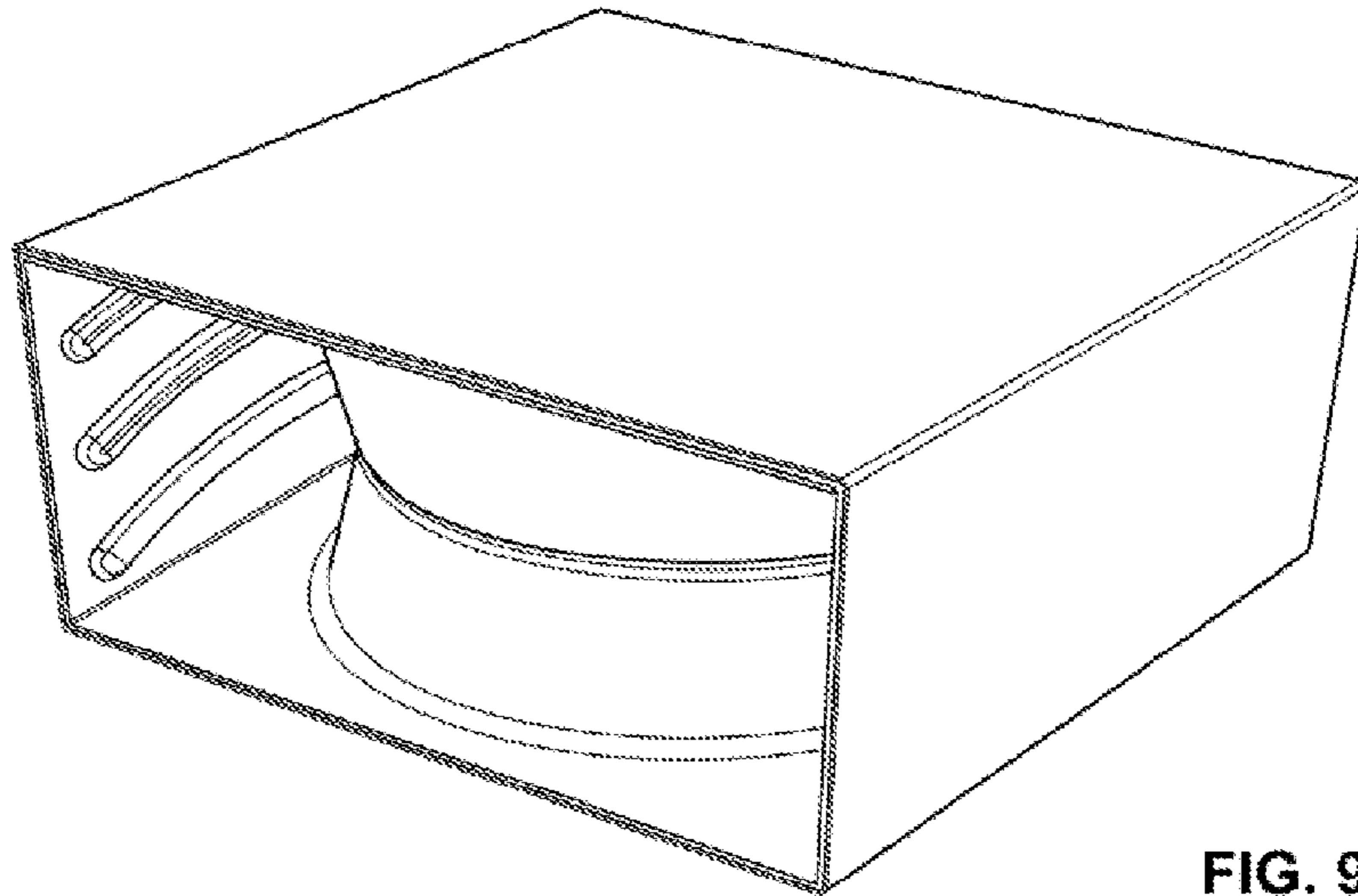


FIG. 9

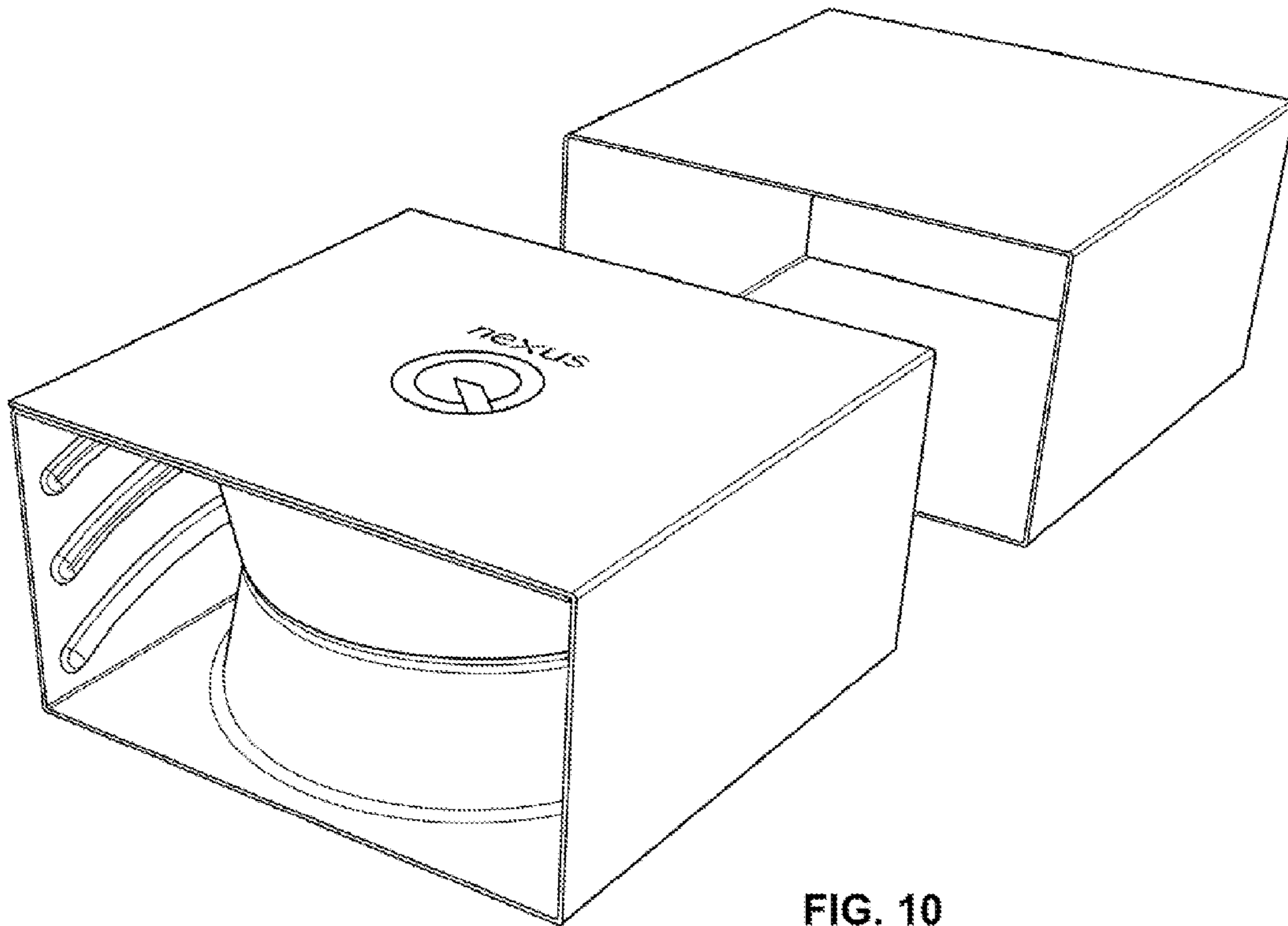


FIG. 10

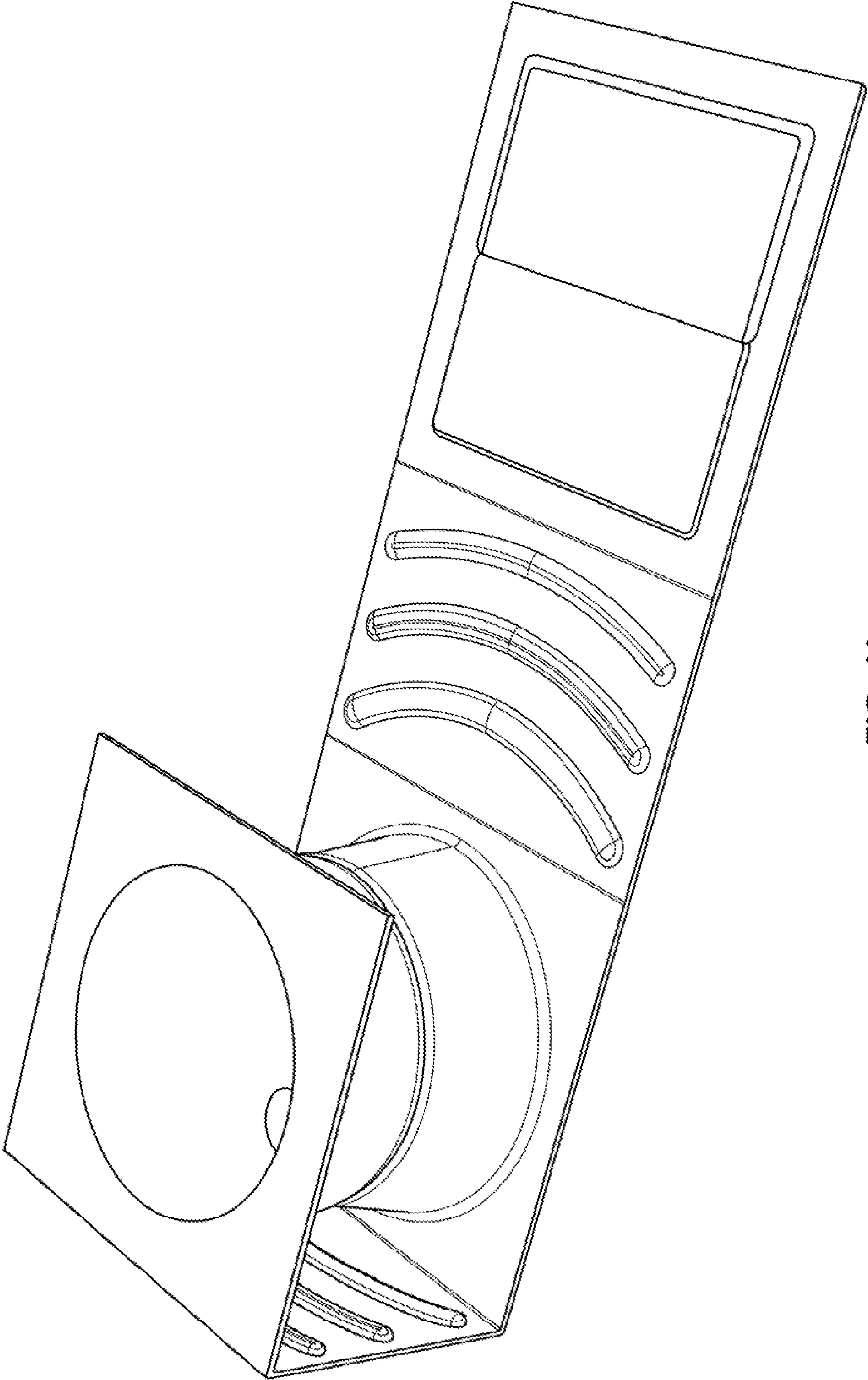


FIG. 11

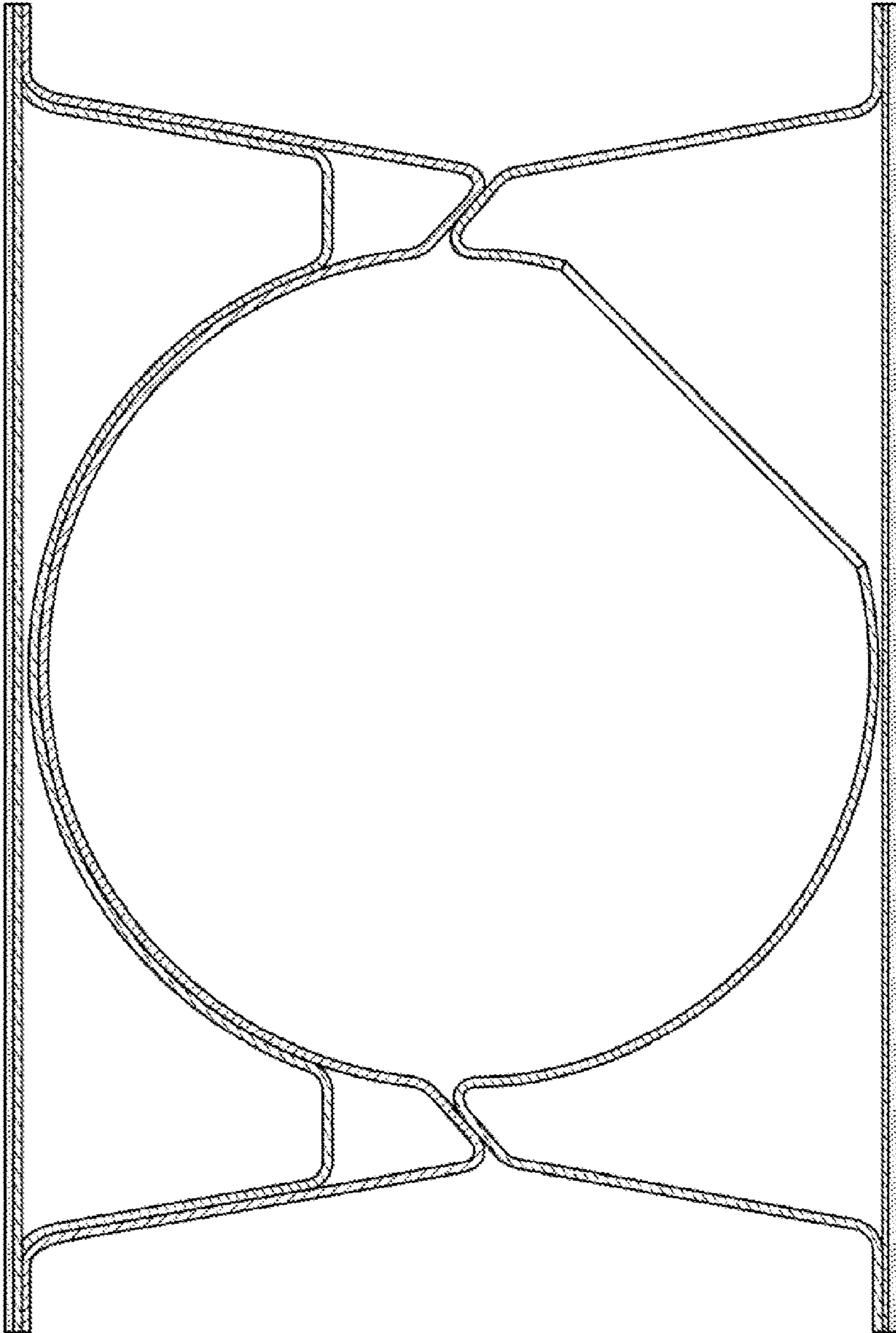


FIG. 12