



US00D690593S

(12) **United States Design Patent**
Kaps et al.

(10) **Patent No.:** **US D690,593 S**

(45) **Date of Patent:** **** Oct. 1, 2013**

(54) **BOX**

(76) Inventors: **Thomas Kaps**, Jackson, NJ (US); **Paul Rosario**, Bayville, NJ (US)

(**) Term: **14 Years**

(21) Appl. No.: **29/411,120**

(22) Filed: **Jan. 17, 2012**

(51) **LOC (9) Cl.** **09-03**

(52) **U.S. Cl.**
USPC **D9/432; D9/433; D9/418**

(58) **Field of Classification Search**
USPC D9/414, 416-418, 420-424, 430-433,
D9/434-435; D3/202, 304, 315; 206/427,
206/557, 521.15, 736; 229/100, 101, 103.2,
229/108, 108.1, 117.09, 200, 215, 125.01,
229/182.1

See application file for complete search history.

(56) **References Cited**

U.S. PATENT DOCUMENTS

D195,430 S * 6/1963 Mapes D9/600
3,119,544 A * 1/1964 Cope et al. 229/117.16
D262,946 S * 2/1982 Mills et al. D9/433
D321,647 S * 11/1991 Oldorf D9/734

D528,411 S * 9/2006 Nehus et al. D9/432
D607,724 S * 1/2010 Dreier et al. D9/430
D616,742 S * 6/2010 Lymn et al. D9/432
D621,704 S * 8/2010 Lymn et al. D9/432

* cited by examiner

Primary Examiner — Susan Bennett Hattan

Assistant Examiner — Vy Koenig

(74) *Attorney, Agent, or Firm* — Rene-Marrin Oliveras

(57) **CLAIM**

The ornamental design for a box, as shown and described.

DESCRIPTION

FIG. 1 is a perspective view of the un-assembled box.
FIG. 2 is top view of the un-assembled box.
FIG. 3 is a front view of the un-assembled box.
FIG. 4 is a left side view of the un-assembled box.
FIG. 5 is a right side view of the un-assembled box.
FIG. 6 is a perspective view of the assembled box.
FIG. 7 is a front view of the assembled box.
FIG. 8 is a bottom view of the assembled box.
FIG. 9 is a right side view of the assembled box.
FIG. 10 is a top view of the assembled box; and,
FIG. 11 is a rear view of the assembled box.

1 Claim, 6 Drawing Sheets

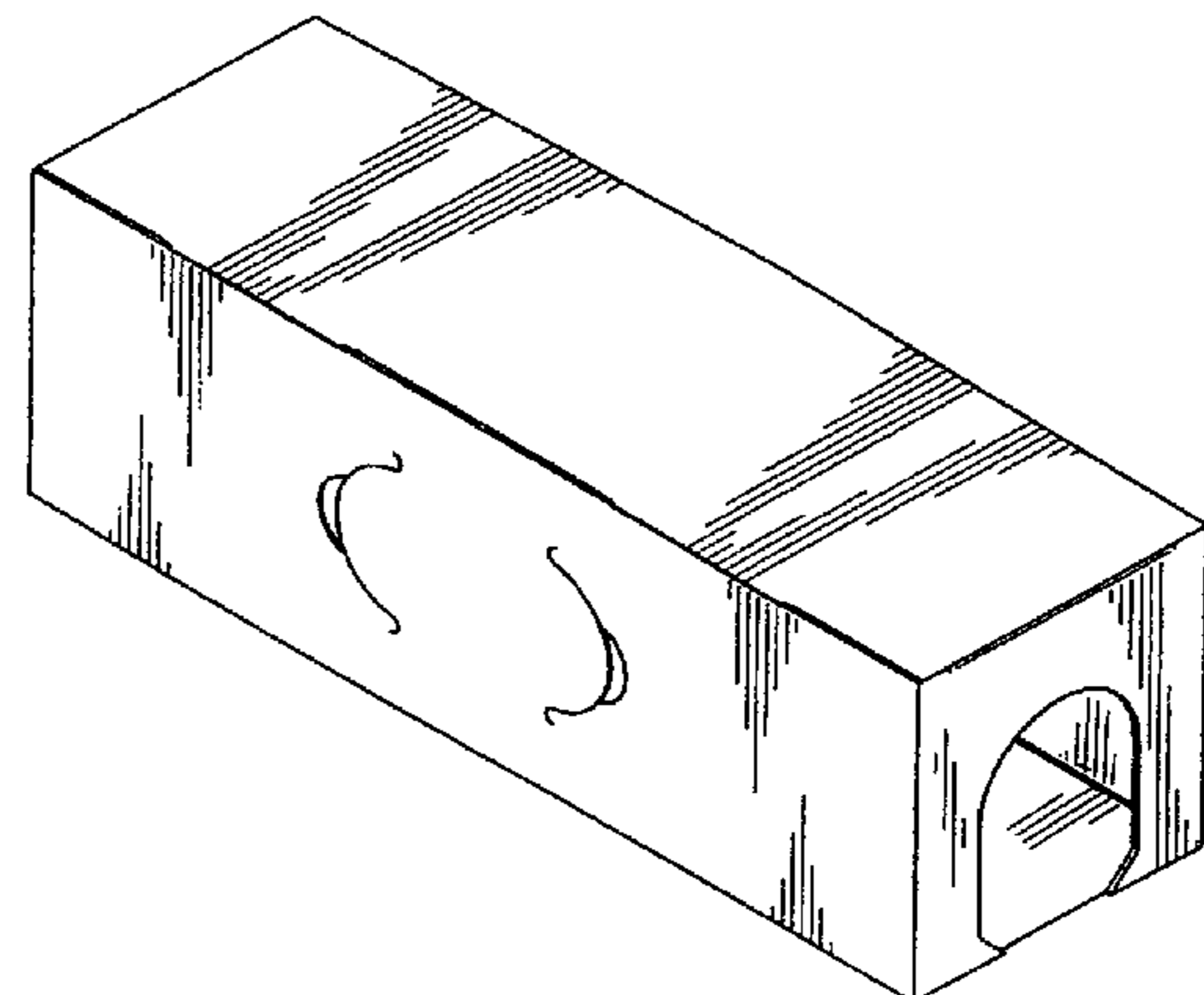
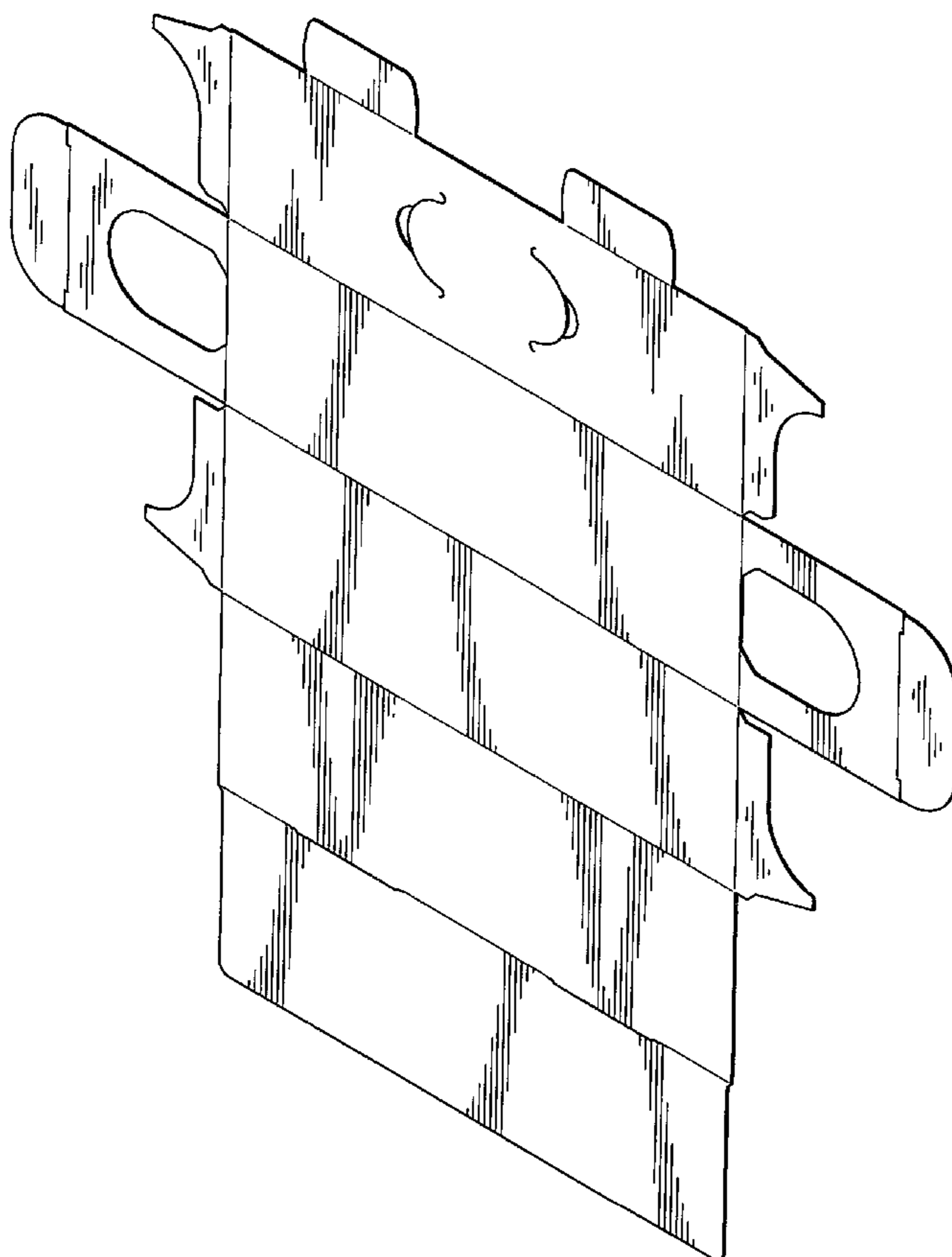


FIG. 1

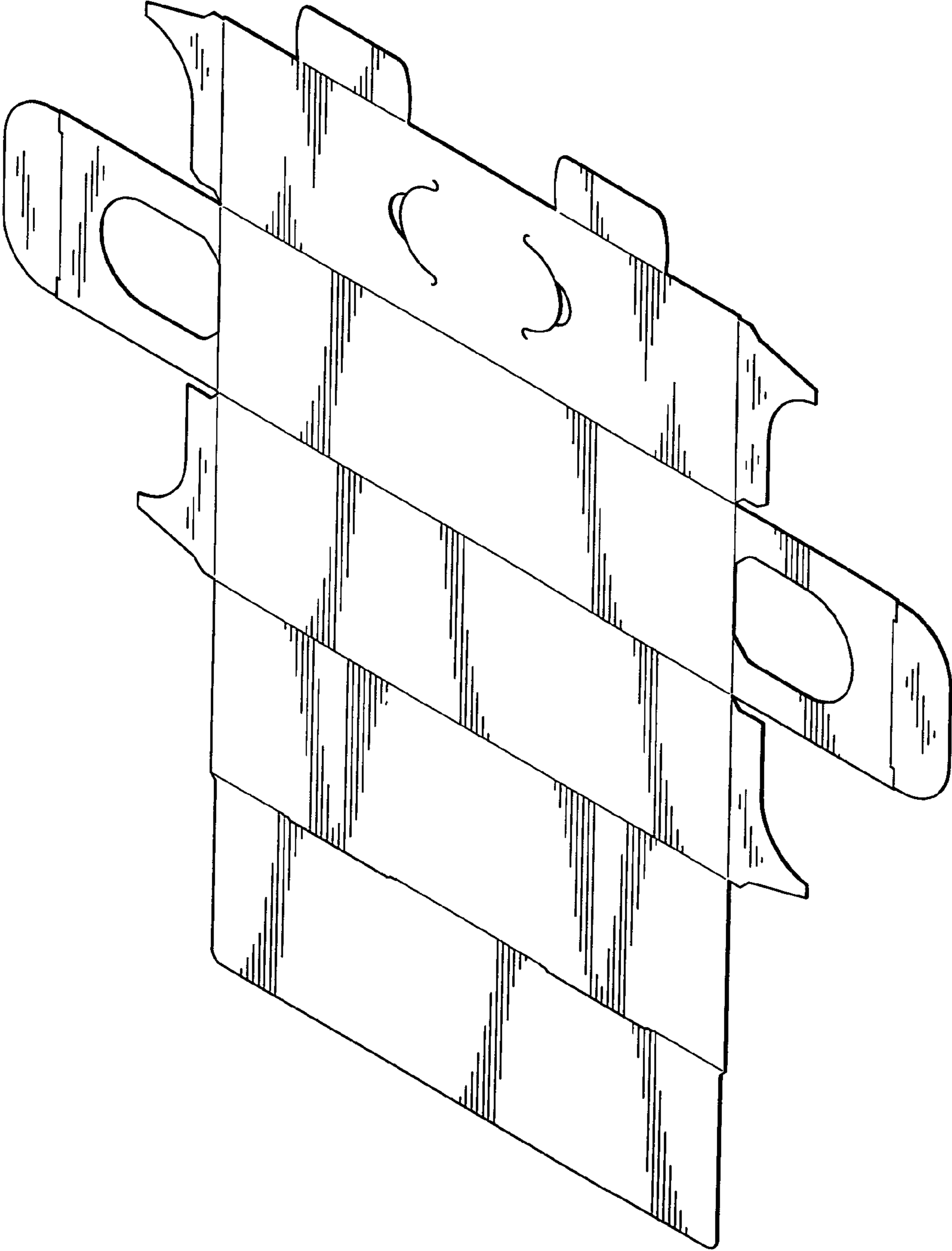


FIG. 3



FIG. 2

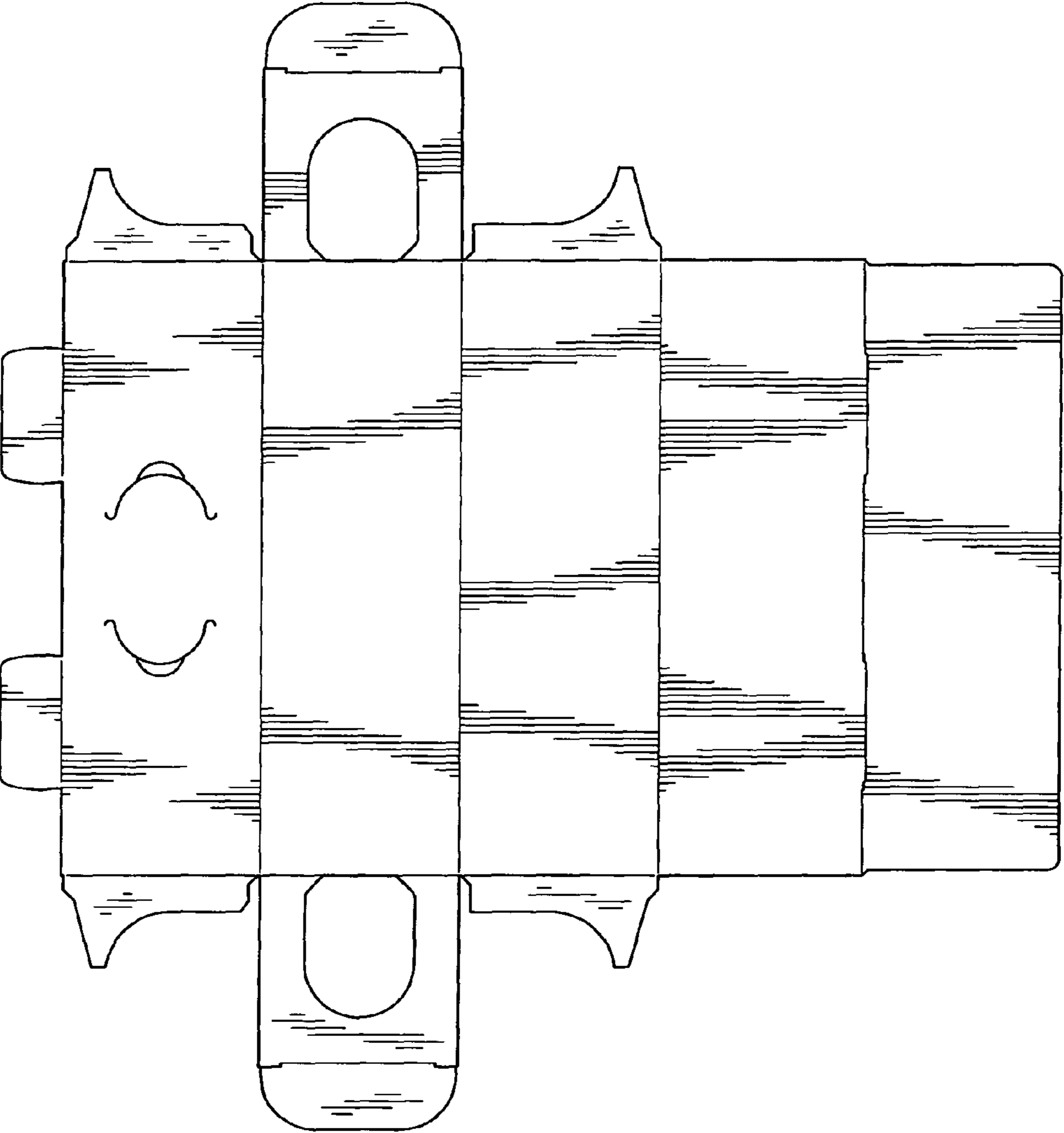


FIG. 4



FIG. 5



FIG. 6

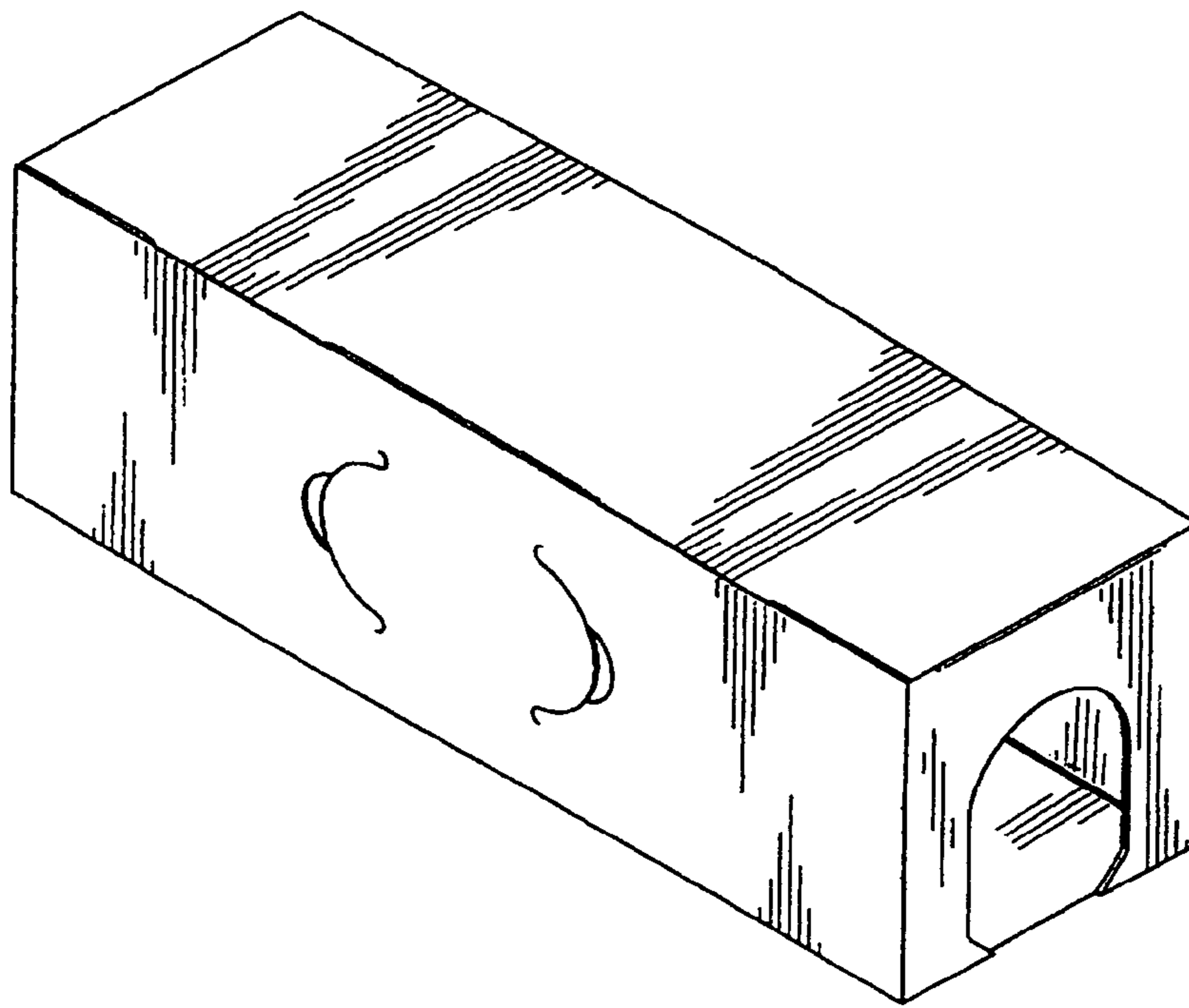


FIG. 7

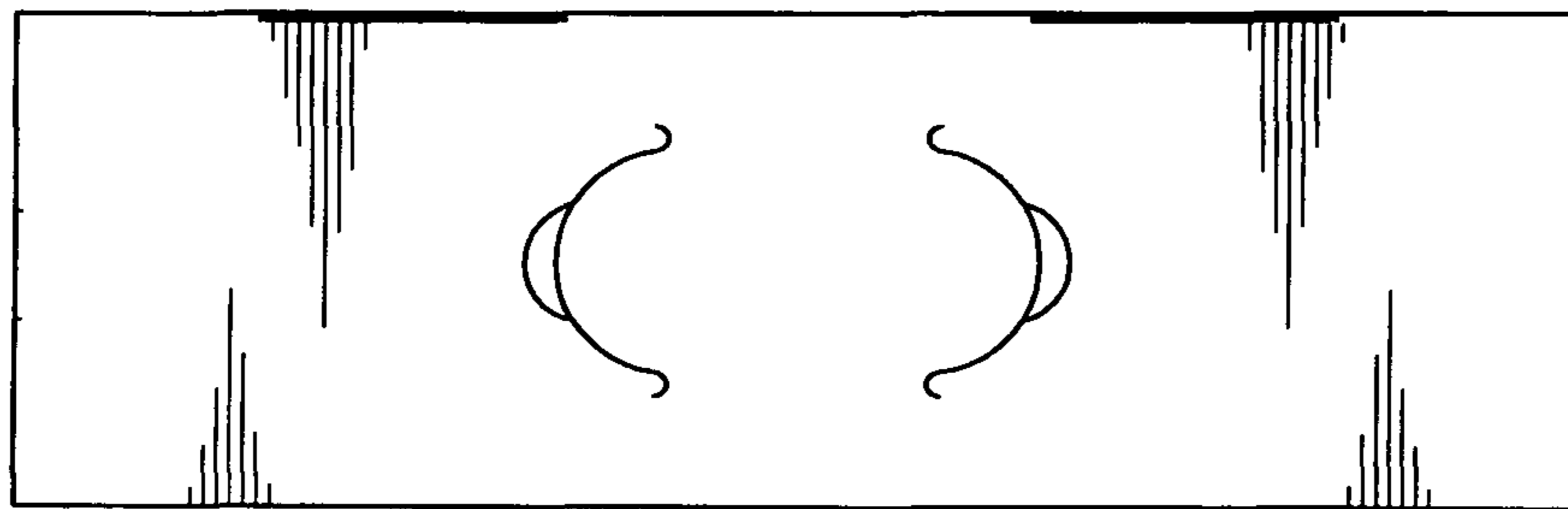


FIG. 8

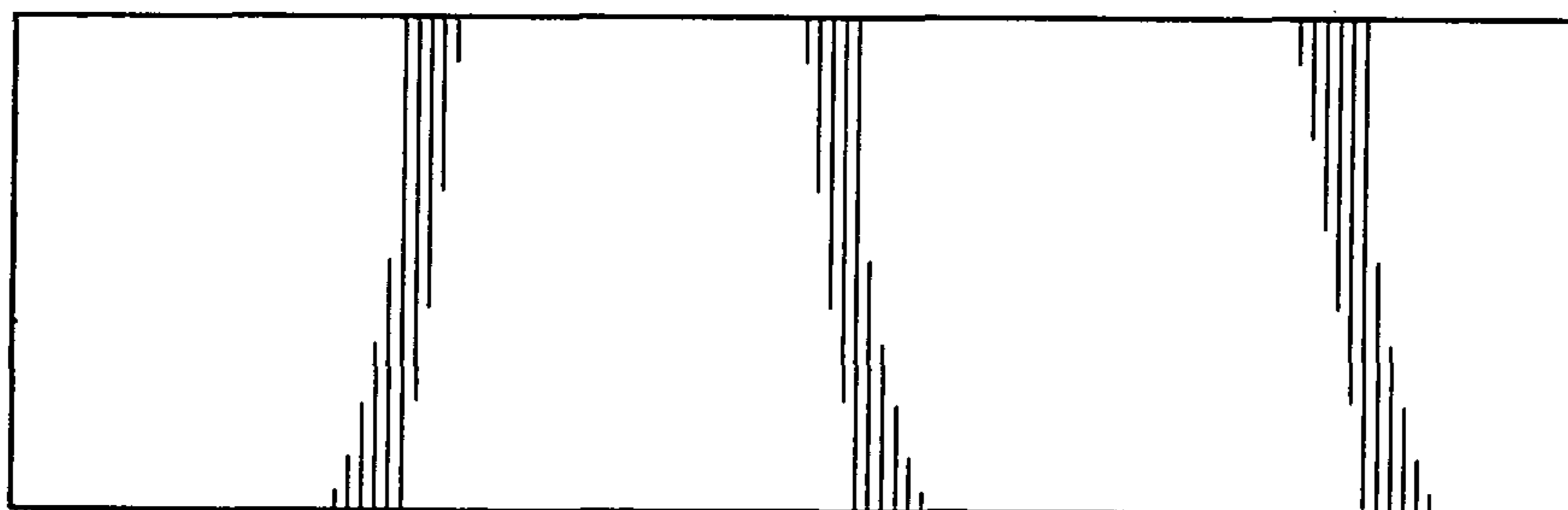


FIG. 9

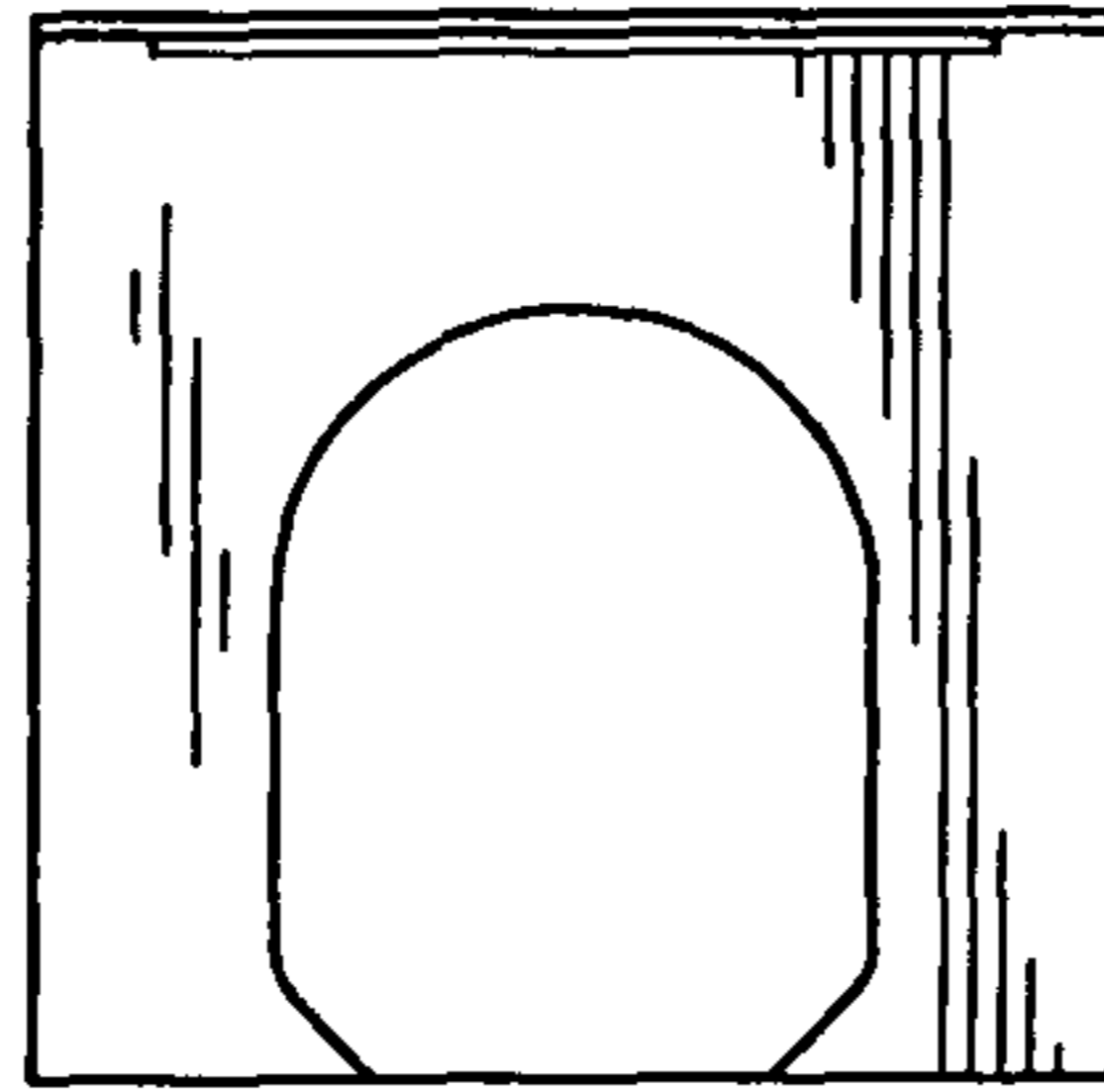


FIG. 10

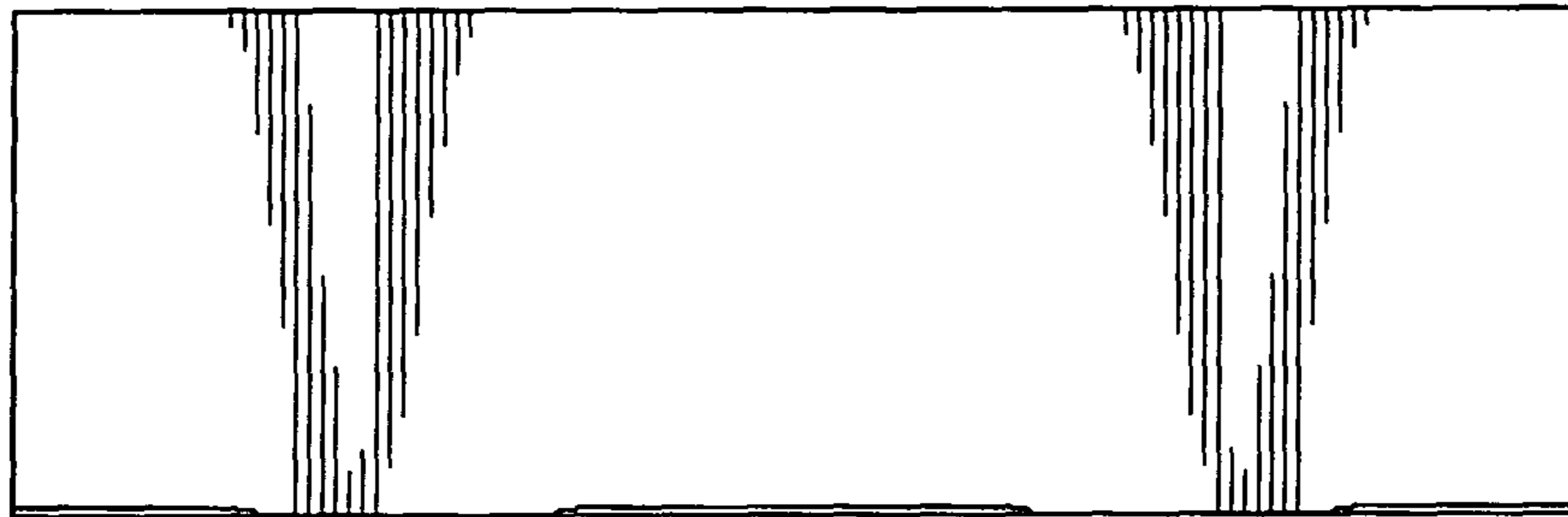


FIG. 11

