



US00D690591S

(12) **United States Design Patent**
Sanders et al.

(10) **Patent No.:** **US D690,591 S**

(45) **Date of Patent:** **** Oct. 1, 2013**

(54) **PIZZA BOX**

(76) Inventors: **Scott Sanders**, Moreland Hills, OH (US); **Glenn White**, Louisville, KY (US)

(**) Term: **14 Years**

(21) Appl. No.: **29/391,150**

(22) Filed: **May 4, 2011**

(51) **LOC (9) Cl.** **09-03**

(52) **U.S. Cl.**
USPC **D9/432; D9/433**

(58) **Field of Classification Search**
USPC D9/430–433, 414, 418, 420–424;
D3/272, 273, 302; 206/267, 269, 270, 273,
206/299, 737, 740, 822; 229/100, 101, 101.3,
229/106, 108–112
See application file for complete search history.

(56) **References Cited**

U.S. PATENT DOCUMENTS

2,090,780	A *	8/1937	Bonville	229/199
3,211,282	A	10/1965	Hennessey		
3,343,744	A	9/1967	Morell, et al.		
D274,889	S *	7/1984	Sullivan	D9/426
4,957,237	A	9/1990	Madonna et al.		
5,049,710	A *	9/1991	Prosise et al.	219/730
5,071,062	A *	12/1991	Bradley et al.	229/109
5,209,392	A *	5/1993	Anatro	229/117.01
5,445,314	A *	8/1995	Newsome	229/120.21
D362,803	S *	10/1995	McMullen, Jr.	D9/432
5,772,110	A *	6/1998	Garretson	229/120.21
6,196,448	B1 *	3/2001	Correll	229/103.11
6,375,066	B1 *	4/2002	Ritter	229/101.2
6,749,106	B2 *	6/2004	Keefe et al.	229/110
6,752,311	B2 *	6/2004	Tulkoff	229/104
6,922,976	B2 *	8/2005	Correll	53/452
D649,040	S *	11/2011	Sanders	D9/432
D652,294	S *	1/2012	Seneca et al.	D9/433
D665,665	S *	8/2012	Seneca et al.	D9/433

2007/0284422	A1 *	12/2007	Saunders et al.	229/101
2011/0233264	A1 *	9/2011	Lombardi et al.	229/103
2011/0253772	A1 *	10/2011	Holch et al.	229/101.2
2012/0111931	A1 *	5/2012	Kimhi	229/120

* cited by examiner

Primary Examiner — Susan Bennett Hattan

Assistant Examiner — Vy Koenig

(74) *Attorney, Agent, or Firm* — Fay Sharpe LLP

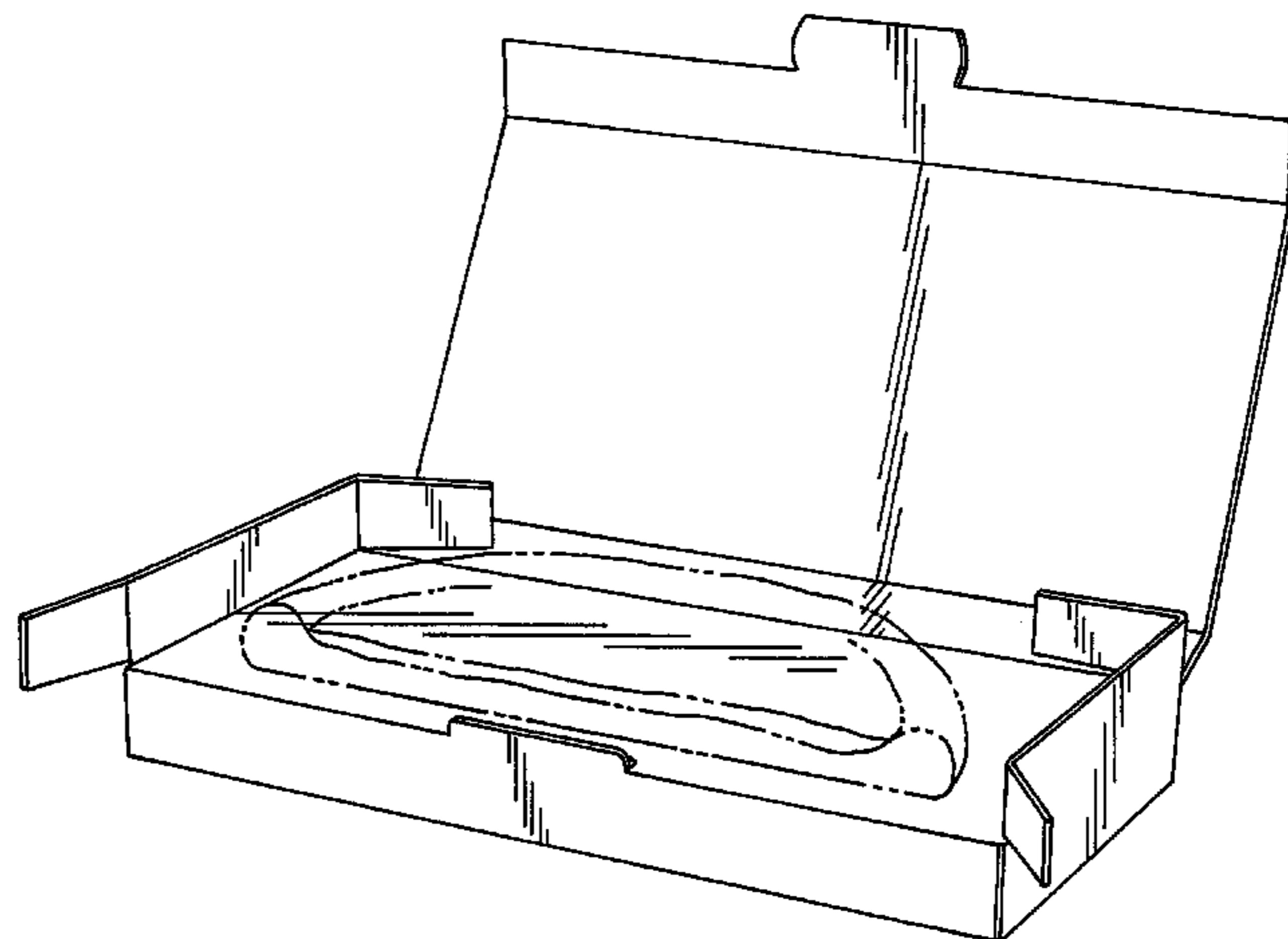
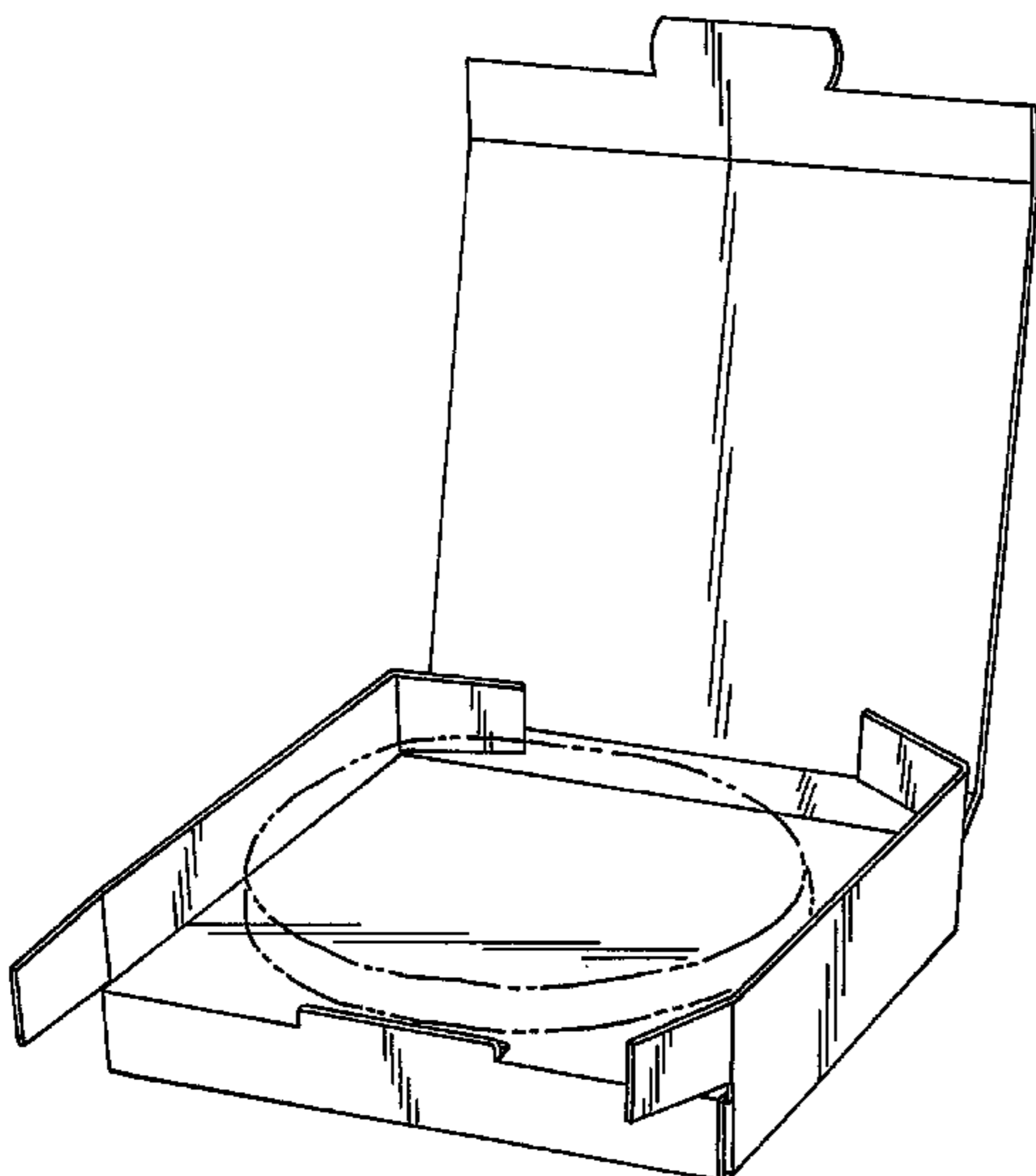
(57) **CLAIM**

The ornamental design for a pizza box, as shown and described.

DESCRIPTION

FIG. 1 is a front isometric view of an embodiment of the pizza box in the fully opened position;
 FIG. 2 is a front isometric view of the pizza box of FIG. 1 in a partially closed position;
 FIG. 3 is a front isometric view of the pizza box of FIG. 1 in a fully closed position;
 FIG. 4 is a top plan view of the pizza box of FIG. 1 in a flat, unassembled configuration;
 FIG. 5 is a front isometric view of a second embodiment of the pizza box in accordance with the present invention;
 FIG. 6 is a front isometric view of the pizza box of FIG. 5 in a partially closed position;
 FIG. 7 is a front isometric view of the pizza box of FIG. 5 in a fully closed position; and,
 FIG. 8 is a top plan view of the pizza box of FIG. 5 in a flat, unassembled configuration.
 The broken lines in FIGS. 4 and 8 depict fold lines and form part of the claimed design. All other broken lines depict environmental subject matter only and form no part of the claimed design.

1 Claim, 8 Drawing Sheets



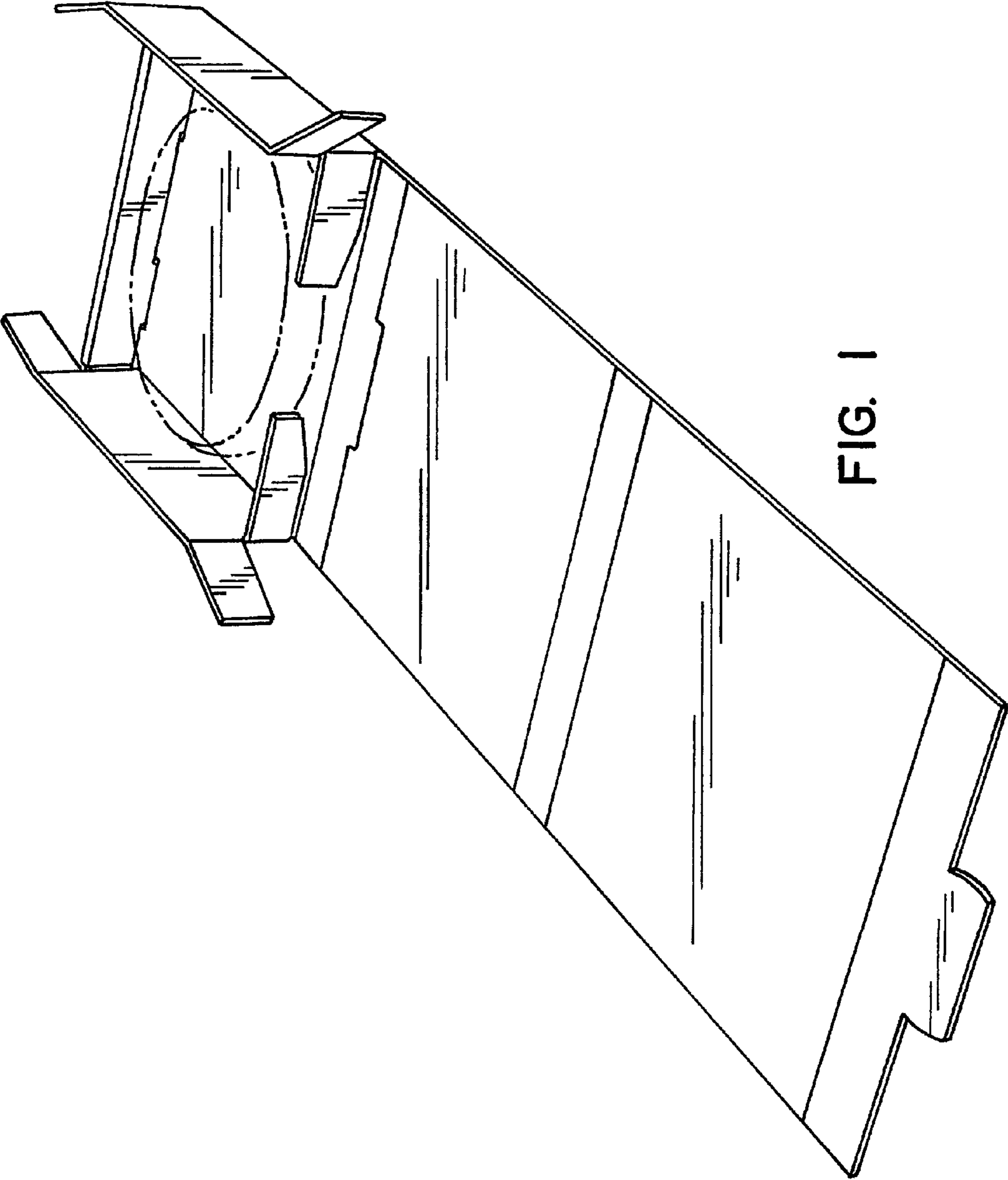


FIG. 1

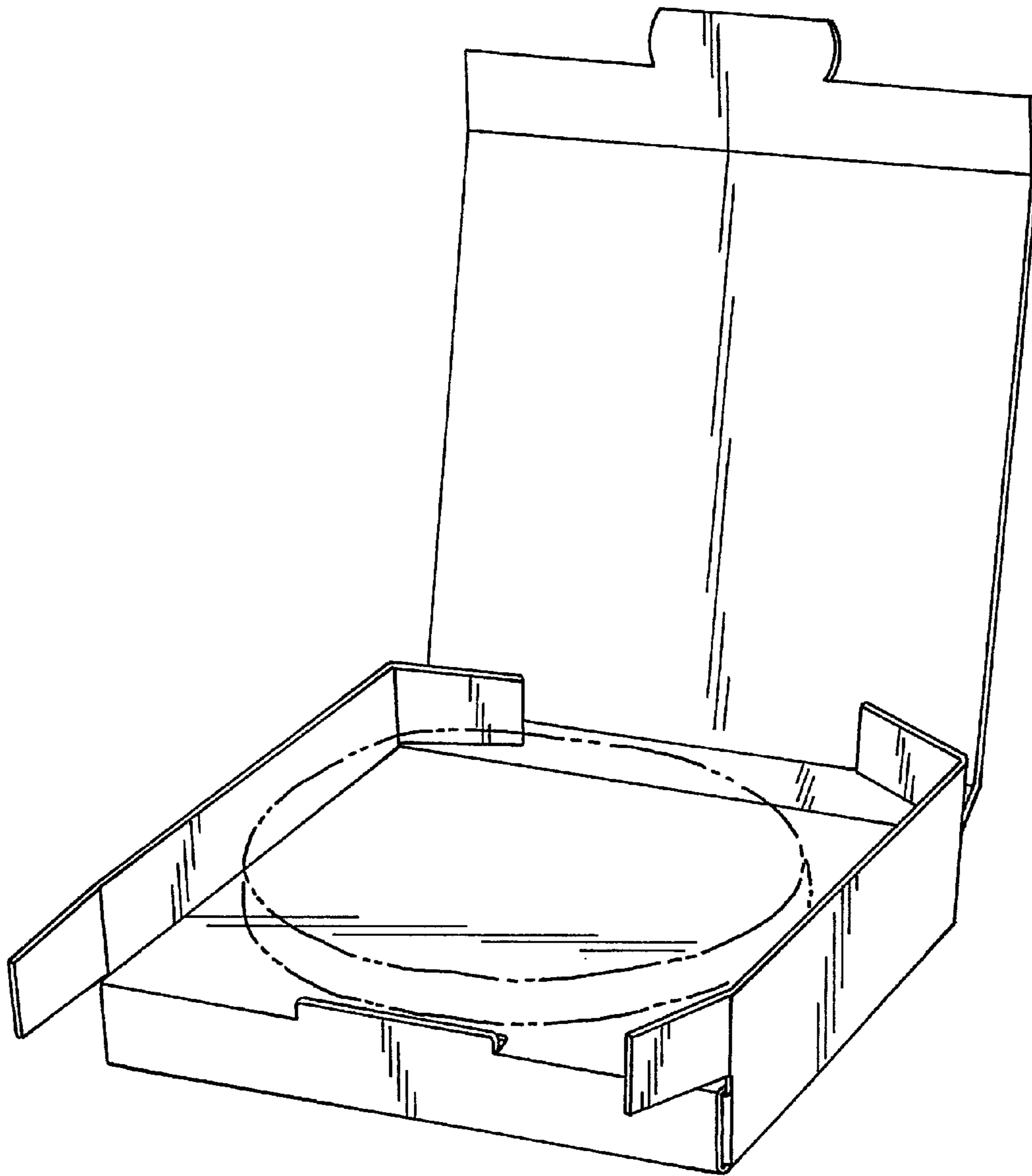


FIG. 2

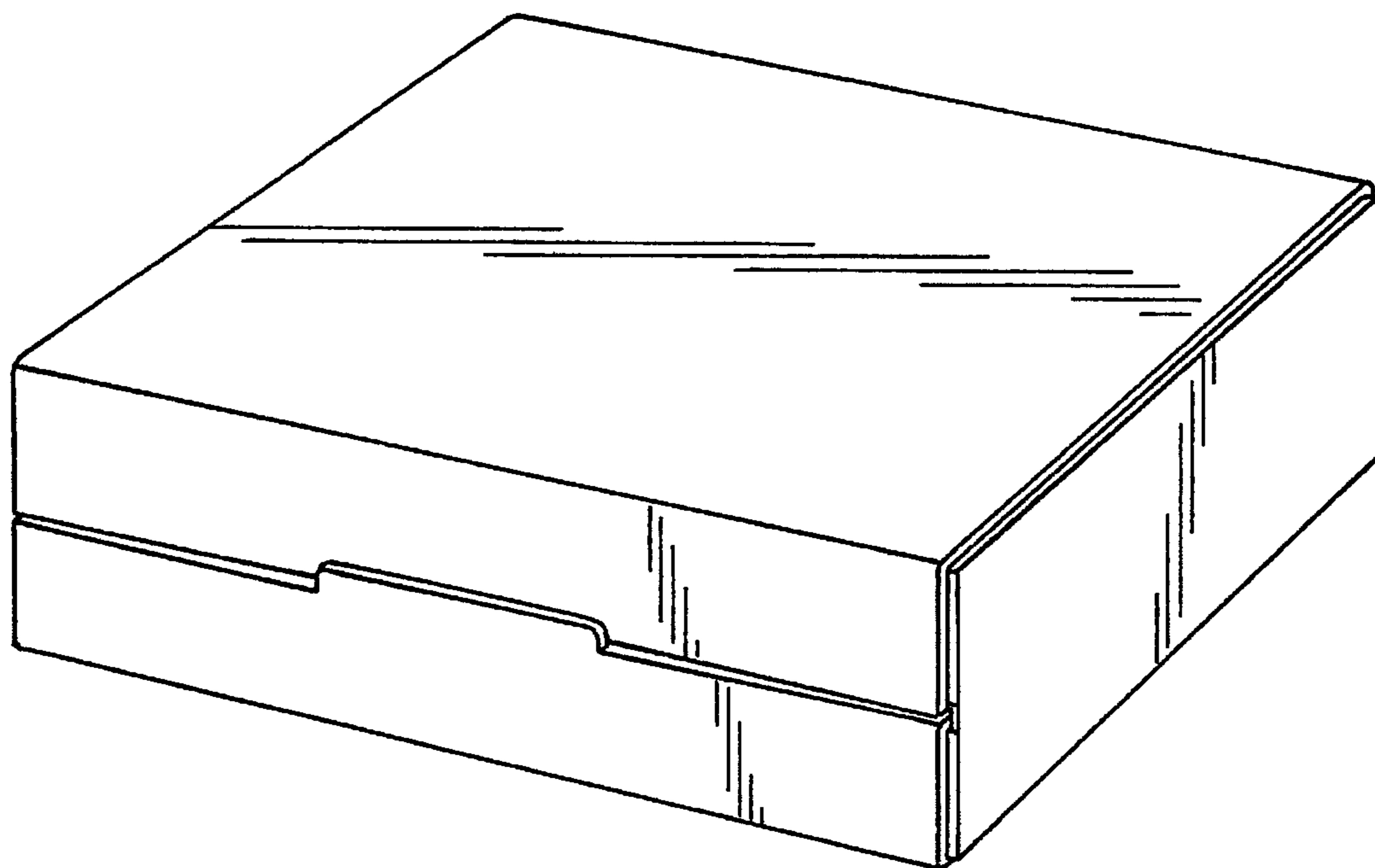


FIG. 3

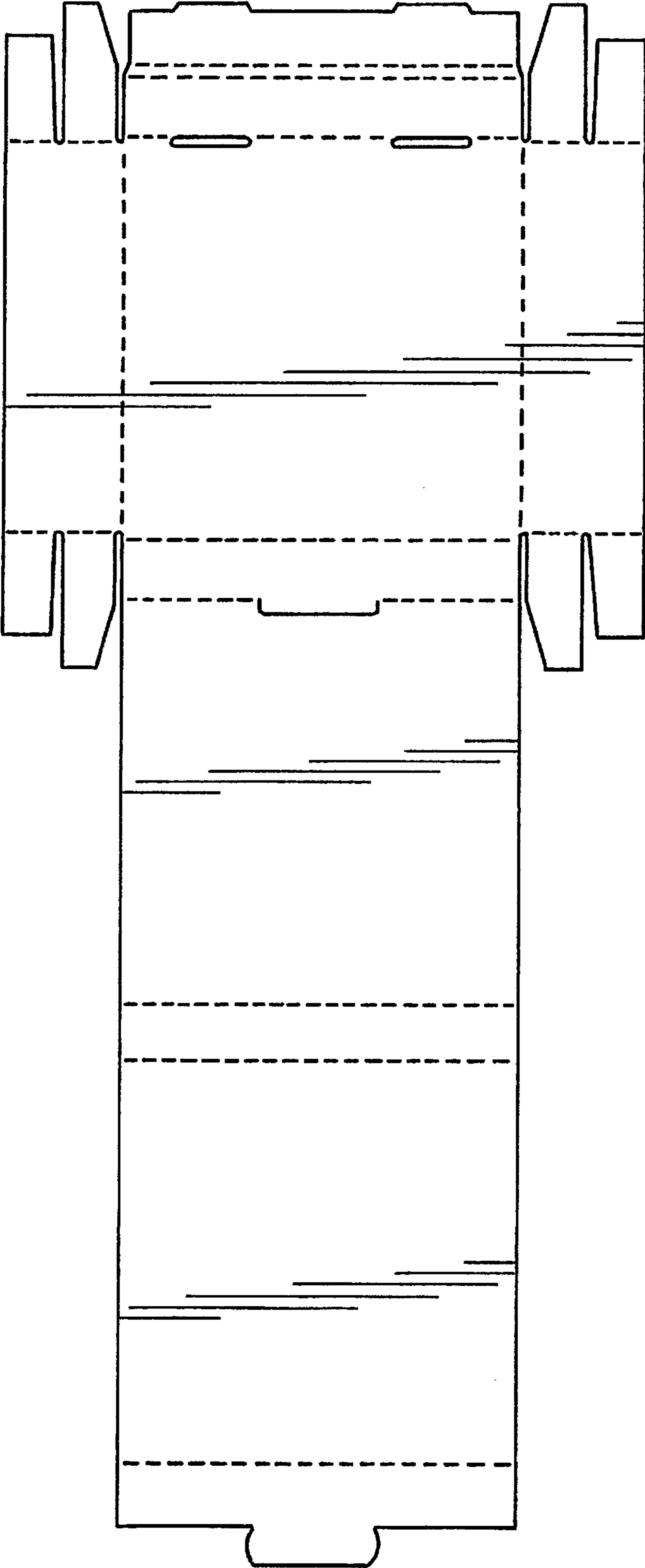


FIG. 4

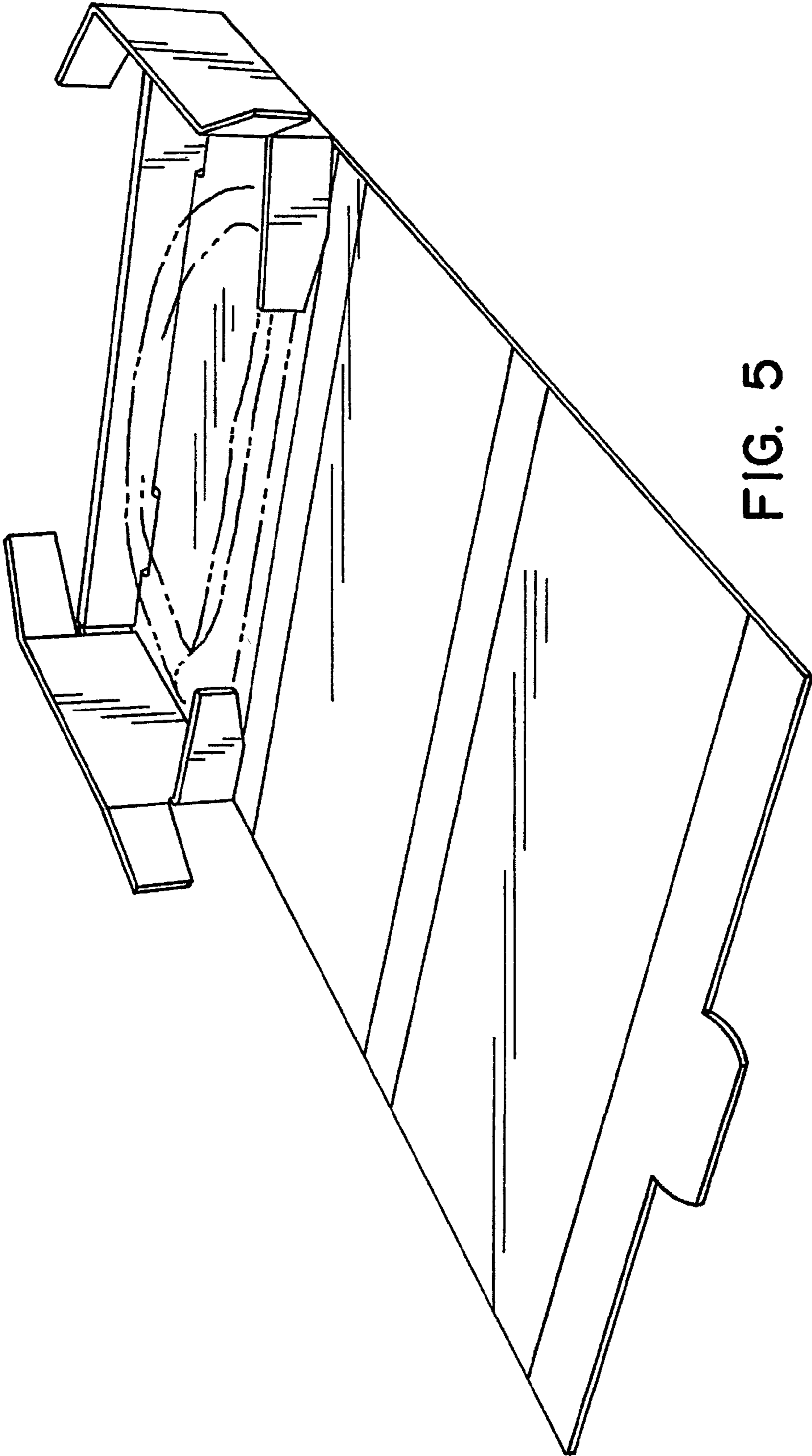


FIG. 5

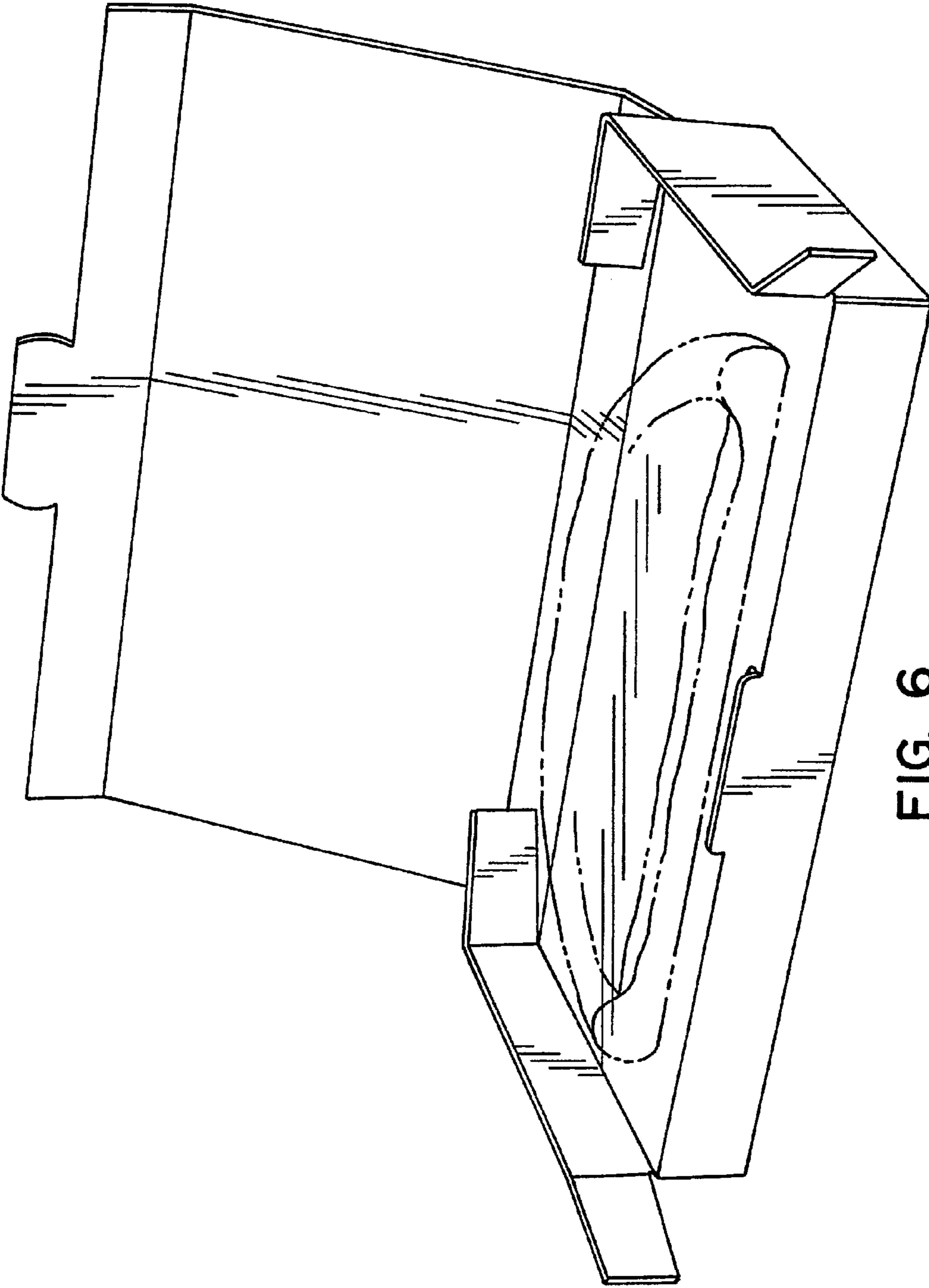


FIG. 6

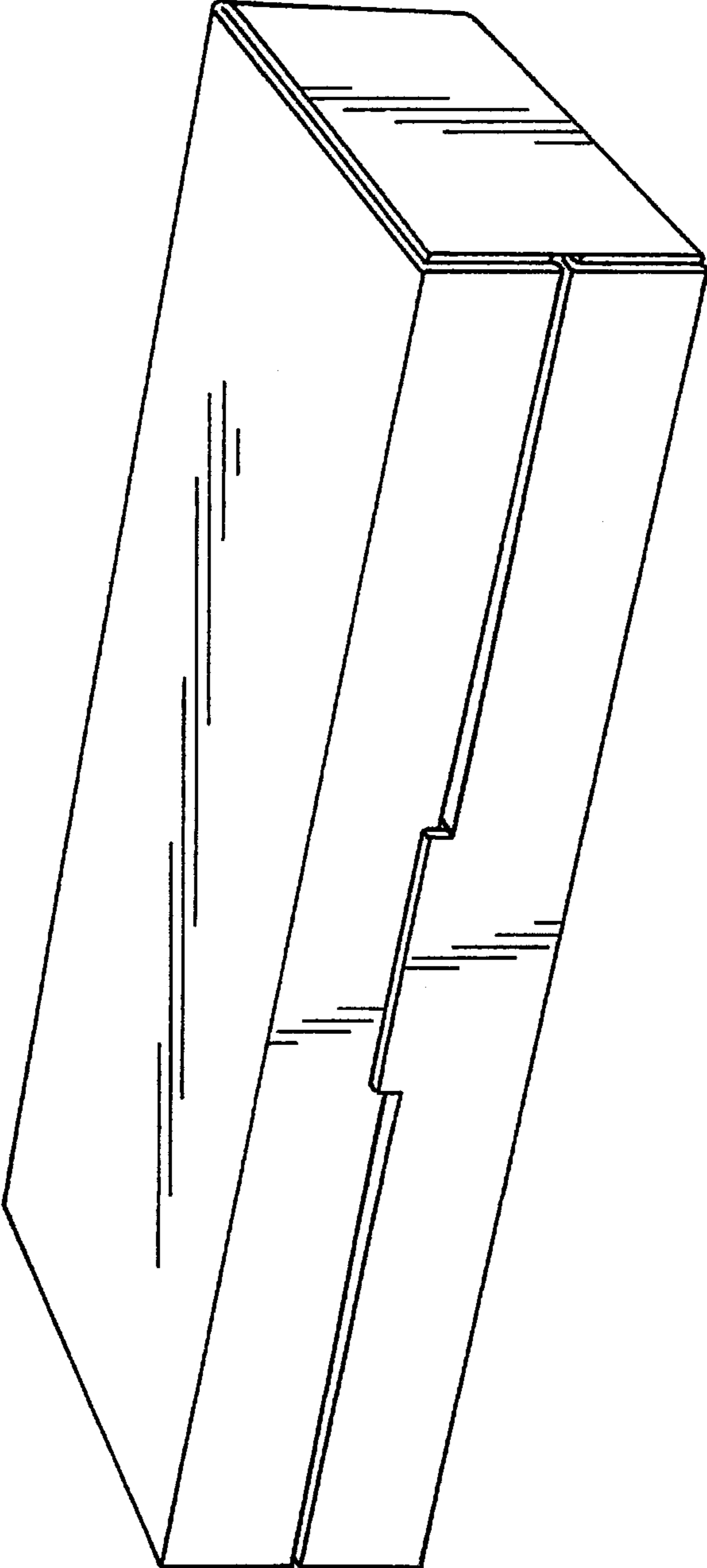


FIG. 7

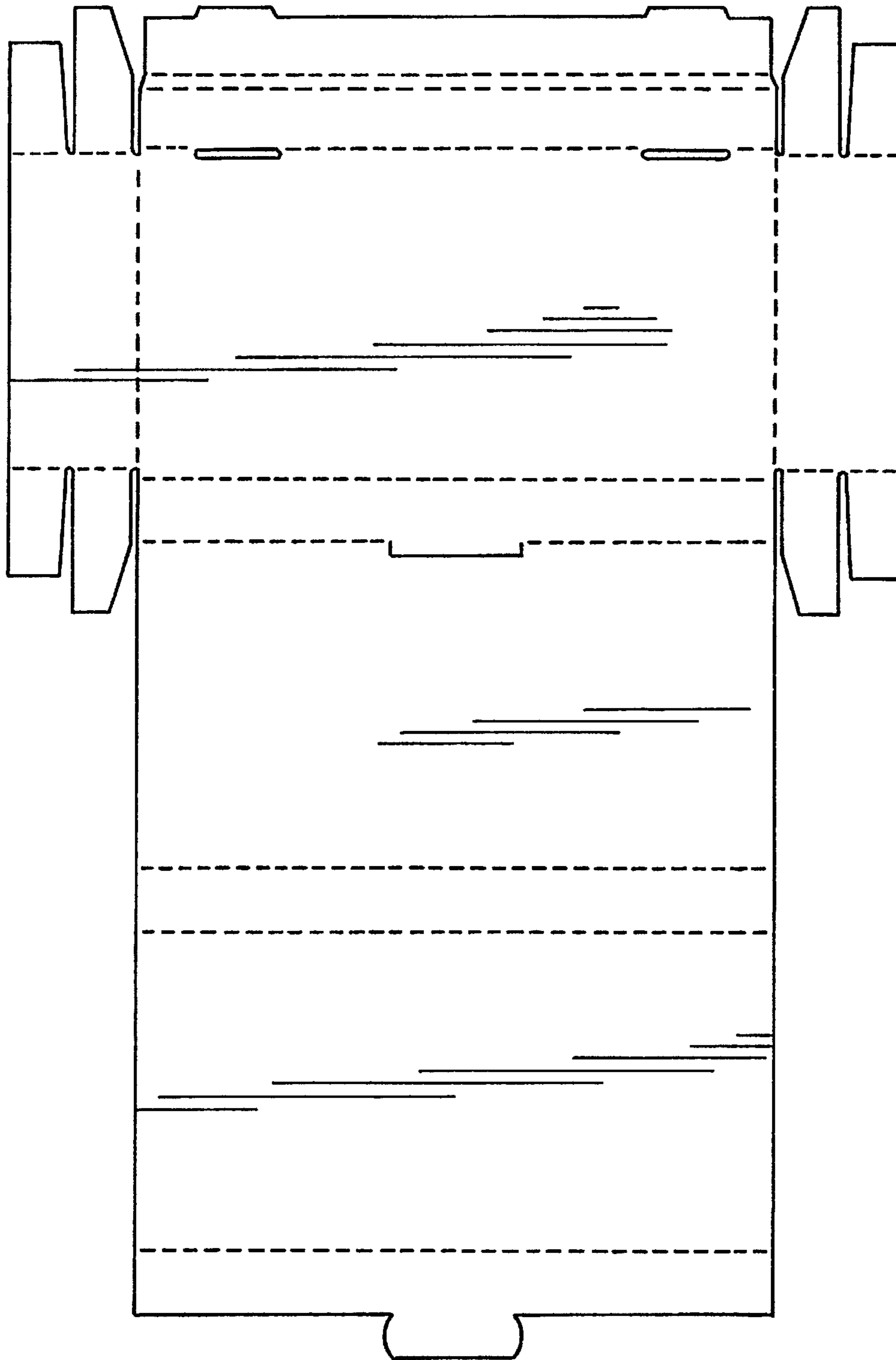


FIG. 8