



US00D690590S

(12) **United States Design Patent**
Fux

(10) **Patent No.:** **US D690,590 S**
(45) **Date of Patent:** **** Oct. 1, 2013**

(54) **PACKAGE FOR SLEEP PRODUCTS**

(75) Inventor: **Michael Fux**, West Long Branch, NJ
(US)

(73) Assignee: **Comfort Revolution, LLC**, West Long
Beach, NJ (US)

(**) Term: **14 Years**

(21) Appl. No.: **29/385,295**

(22) Filed: **Feb. 11, 2011**

(51) **LOC (9) Cl.** **09-03**

(52) **U.S. Cl.**
USPC **D9/431**

(58) **Field of Classification Search**

USPC D9/414, 416, 418, 420-424, 430-433;
D3/272; 206/267, 269, 270, 273, 299, 421,
206/454, 457, 737, 740, 822, 775-778, 784;
229/100, 101, 101.3, 106, 108-122, 117.05-117.09,
229/117.24, 117.26, 221, 222, 227, 902,
229/939, 941, 942; 220/569; 53/436
See application file for complete search history.

| | | | | |
|--------------|------|---------|-----------------------|------------|
| 4,806,398 | A * | 2/1989 | Martin, Jr. | 428/34.2 |
| 4,813,578 | A * | 3/1989 | Gordon et al. | 222/541.1 |
| 4,846,396 | A * | 7/1989 | Palazzolo | 229/117.12 |
| 5,004,145 | A * | 4/1991 | Patterson | 229/117.26 |
| D371,965 | S * | 7/1996 | Kinni | D9/432 |
| 5,588,943 | A * | 12/1996 | Mills et al. | 493/58 |
| 5,683,339 | A * | 11/1997 | Mills et al. | 493/58 |
| D422,495 | S * | 4/2000 | Steenhoek et al. | D9/753 |
| D424,429 | S * | 5/2000 | Anchor et al. | D9/417 |
| 6,164,826 | A * | 12/2000 | Petkovsek | 383/210.1 |
| D496,856 | S * | 10/2004 | Cotert et al. | D9/721 |
| D532,702 | S * | 11/2006 | Berman | D9/708 |
| D570,683 | S * | 6/2008 | Kortsmit et al. | D9/431 |
| D583,680 | S * | 12/2008 | Berman | D9/707 |
| D601,417 | S * | 10/2009 | Berman | D9/431 |
| D616,739 | S * | 6/2010 | Kalberer | D9/431 |
| D641,618 | S * | 7/2011 | Devlin et al. | D9/431 |
| 2012/0222390 | A1 * | 9/2012 | Fux | 53/436 |

* cited by examiner

Primary Examiner — Susan Bennett Hattan

Assistant Examiner — Vy Koenig

(74) *Attorney, Agent, or Firm* — Doherty & Charney LLC

(57) **CLAIM**

The ornamental design for a package for sleep products, as shown and described.

(56) **References Cited**

U.S. PATENT DOCUMENTS

| | | | | |
|-----------|-----|---------|----------------------|------------|
| D163,132 | S * | 5/1951 | Muller-Munk | D9/416 |
| 3,120,335 | A * | 2/1964 | Egleston et al. | 229/117 |
| 3,163,350 | A * | 12/1964 | Zinn | 229/214 |
| D200,500 | S * | 3/1965 | Schroeder | D9/433 |
| 3,175,683 | A * | 3/1965 | Billing | 206/436 |
| 3,197,112 | A * | 7/1965 | Meyer-Jagenberg | 229/101 |
| 3,361,333 | A * | 1/1968 | Stuart | 229/117.22 |
| 3,924,796 | A * | 12/1975 | Rausing et al. | 229/214 |
| 4,483,464 | A * | 11/1984 | Nomura | 222/83 |
| 4,537,815 | A * | 8/1985 | Wise et al. | 428/219 |

DESCRIPTION

FIG. 1 is a perspective view of a package for sleep products showing my new design;

FIG. 2 is a top plan view of the design;

FIG. 3 is a front elevational view of the design, the rear elevational view being the same;

FIG. 4 is a right side elevational view of the design, the left side elevational view being the same; and,

FIG. 5 is a bottom plan view of the design.

1 Claim, 5 Drawing Sheets

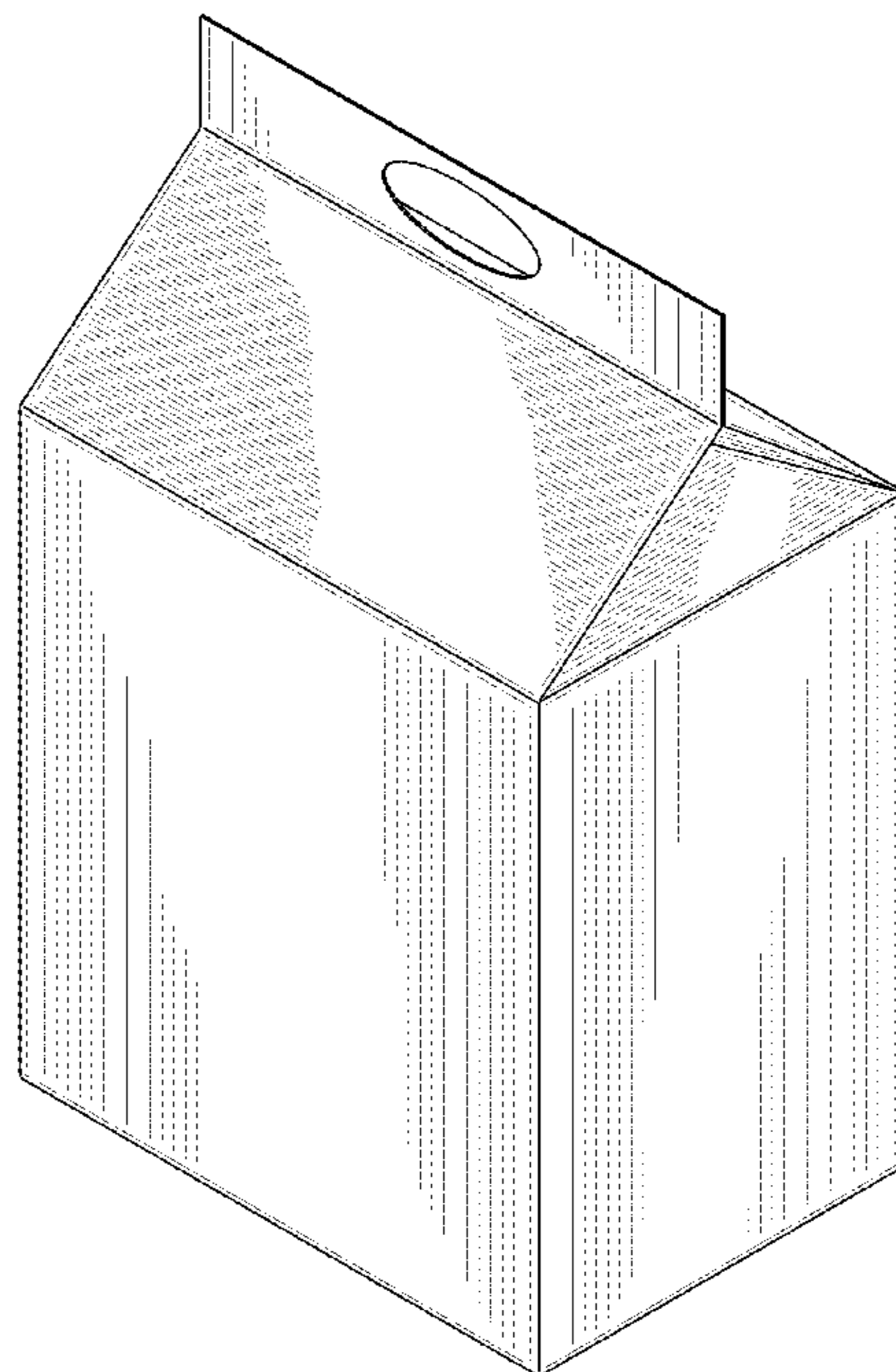


FIG. 1

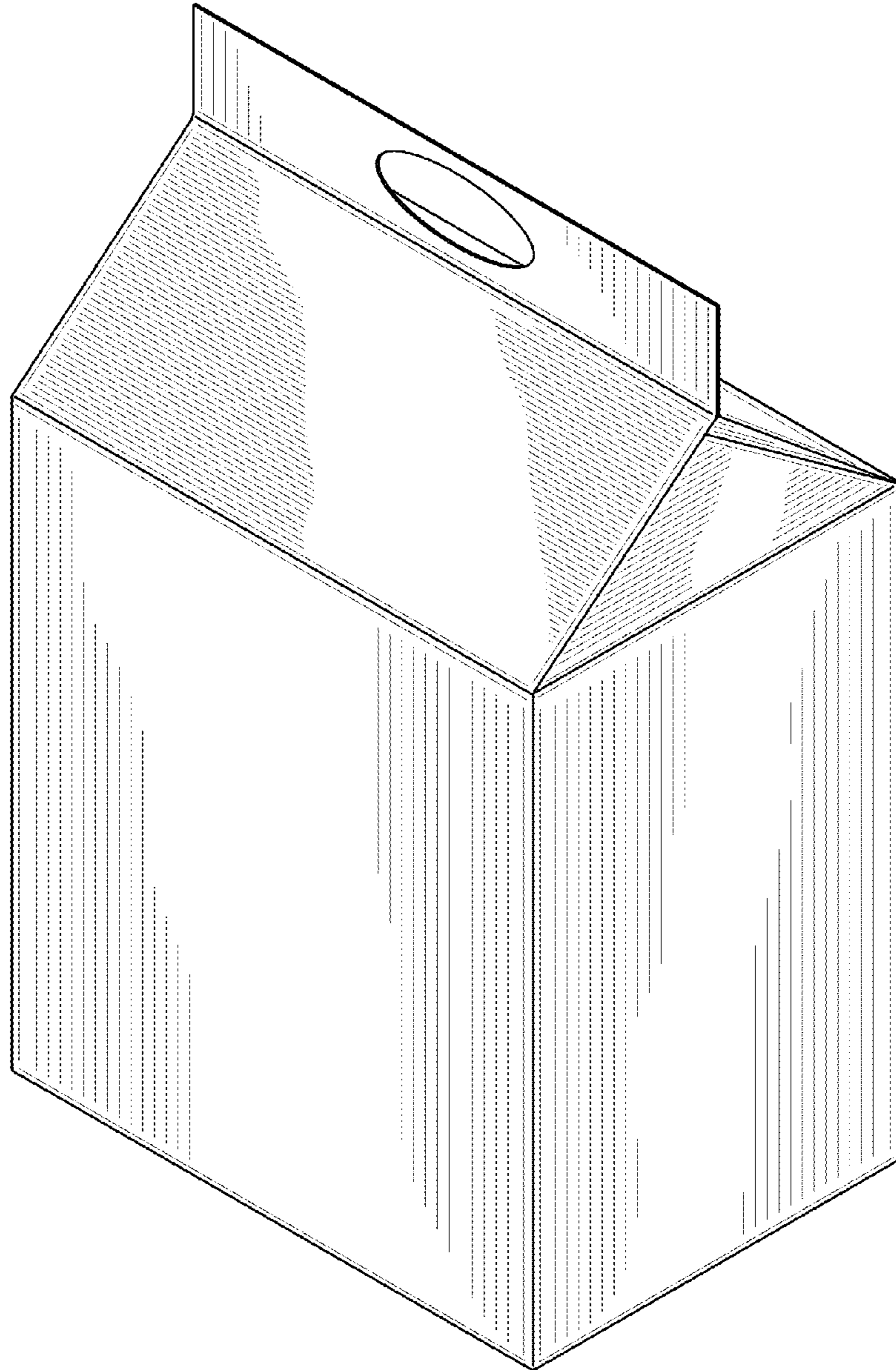


FIG. 2



FIG. 3

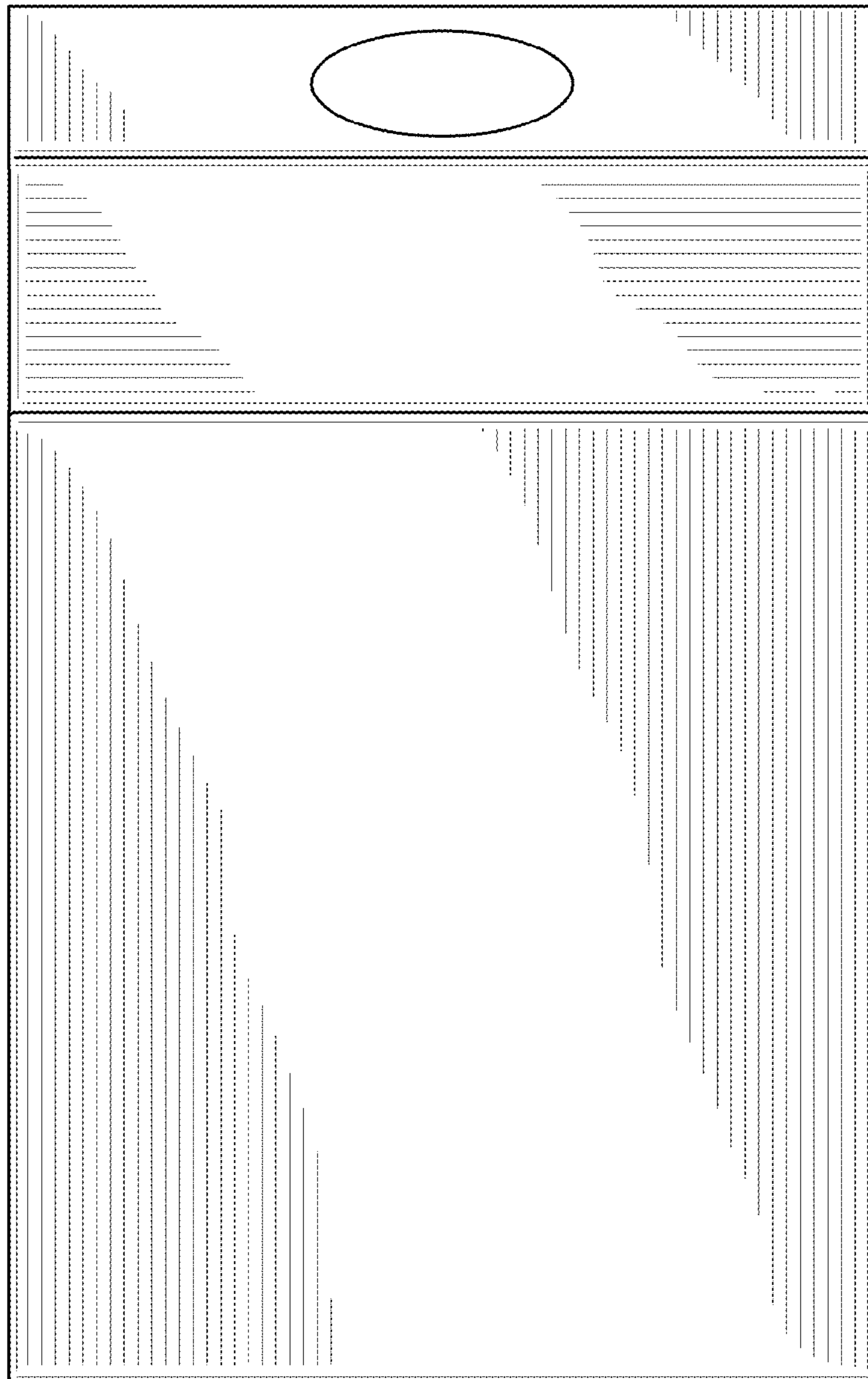


FIG. 4

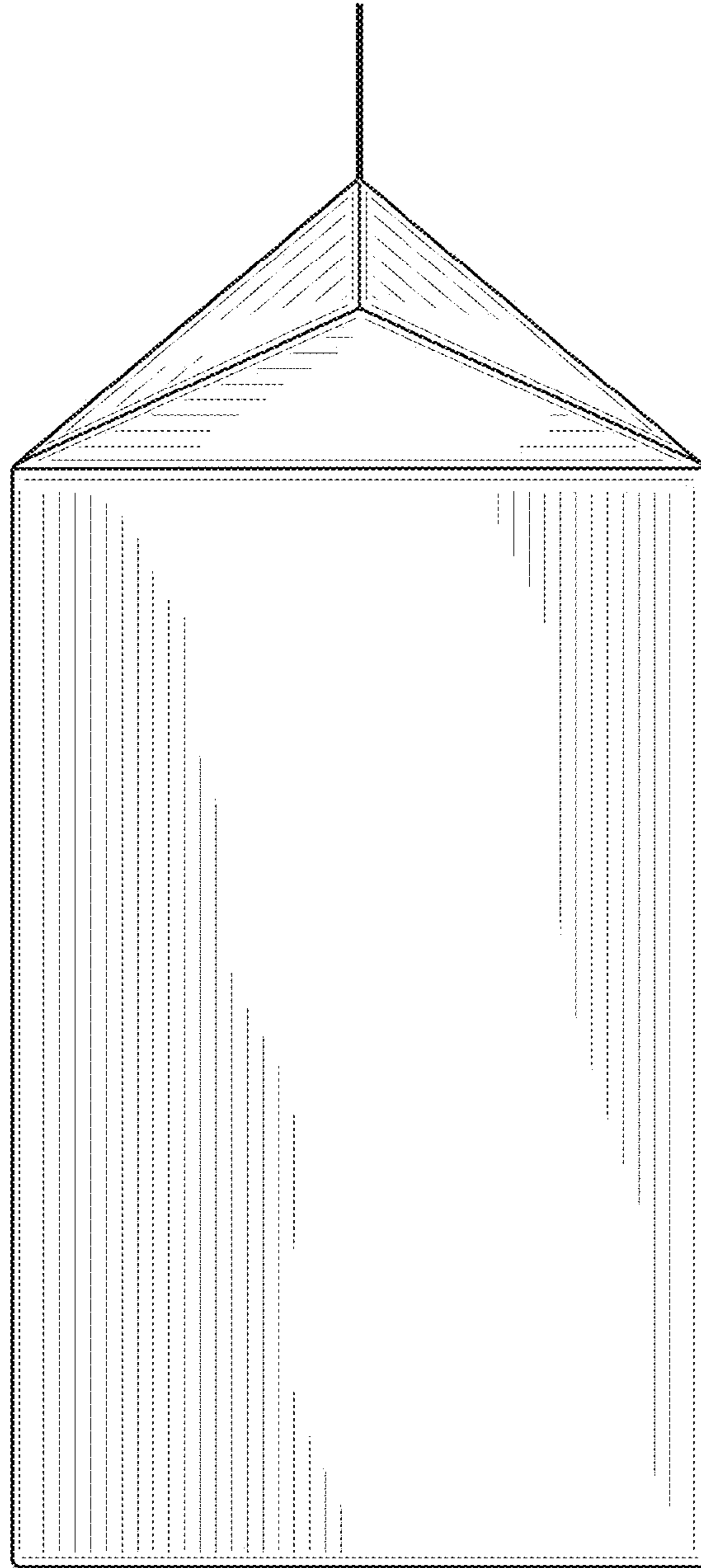


FIG. 5

