

US00D690589S

(12) **United States Design Patent**
Von Sprecken et al.

(10) **Patent No.:** **US D690,589 S**

(45) **Date of Patent:** **** Oct. 1, 2013**

(54) **BLISTER PACK**

(71) Applicants: **Blake Von Sprecken**, Anaheim, CA
(US); **Lee Garson**, Van Nuys, CA (US)

(72) Inventors: **Blake Von Sprecken**, Anaheim, CA
(US); **Lee Garson**, Van Nuys, CA (US)

(73) Assignee: **Cambro Manufacturing Company**,
Huntington Beach, CA (US)

(**) Term: **14 Years**

(21) Appl. No.: **29/433,215**

(22) Filed: **Sep. 27, 2012**

(51) **LOC (9) Cl.** **09-03**

(52) **U.S. Cl.**
USPC **D9/425**

(58) **Field of Classification Search**
USPC D9/414, 415, 424, 425, 430, 431,
D9/432, 732; D7/538, 540, 542, 550.1, 565,
D7/584, 601-603, 605, 629; 220/4.23-4.24,
220/23.86, 315, 367.1, 571, 600, 608, 752,
220/780-781, 788, 791-793, 835, 839;
229/105, 117.09, 117.26, 189, 406, 407,
229/902, 905, 915.1; 206/501-509, 512;
426/106

See application file for complete search history.

(56) **References Cited**

U.S. PATENT DOCUMENTS

D420,905	S	*	2/2000	Adkins	D9/415
D439,514	S	*	3/2001	Burra	D9/425
D439,839	S	*	4/2001	Wolf et al.	D9/431
D621,696	S	*	8/2010	Benet et al.	D9/415
D627,220	S	*	11/2010	LeMaster et al.	D9/425
D632,955	S	*	2/2011	Smith et al.	D9/415
D670,161	S	*	11/2012	Birgers et al.	D9/415

* cited by examiner

Primary Examiner — Thomas Johannes

(74) *Attorney, Agent, or Firm* — George F. Bethel

(57) **CLAIM**

We claim the ornamental design for a blister pack, as shown and described.

DESCRIPTION

FIG. 1 is a front elevation view of a blister pack showing our new design, in a typical usage condition with an unclaimed cardboard backing;

FIG. 2 is a front right bottom perspective view thereof;

FIG. 3 is a right side elevation view thereof;

FIG. 4 is a left side elevation view thereof;

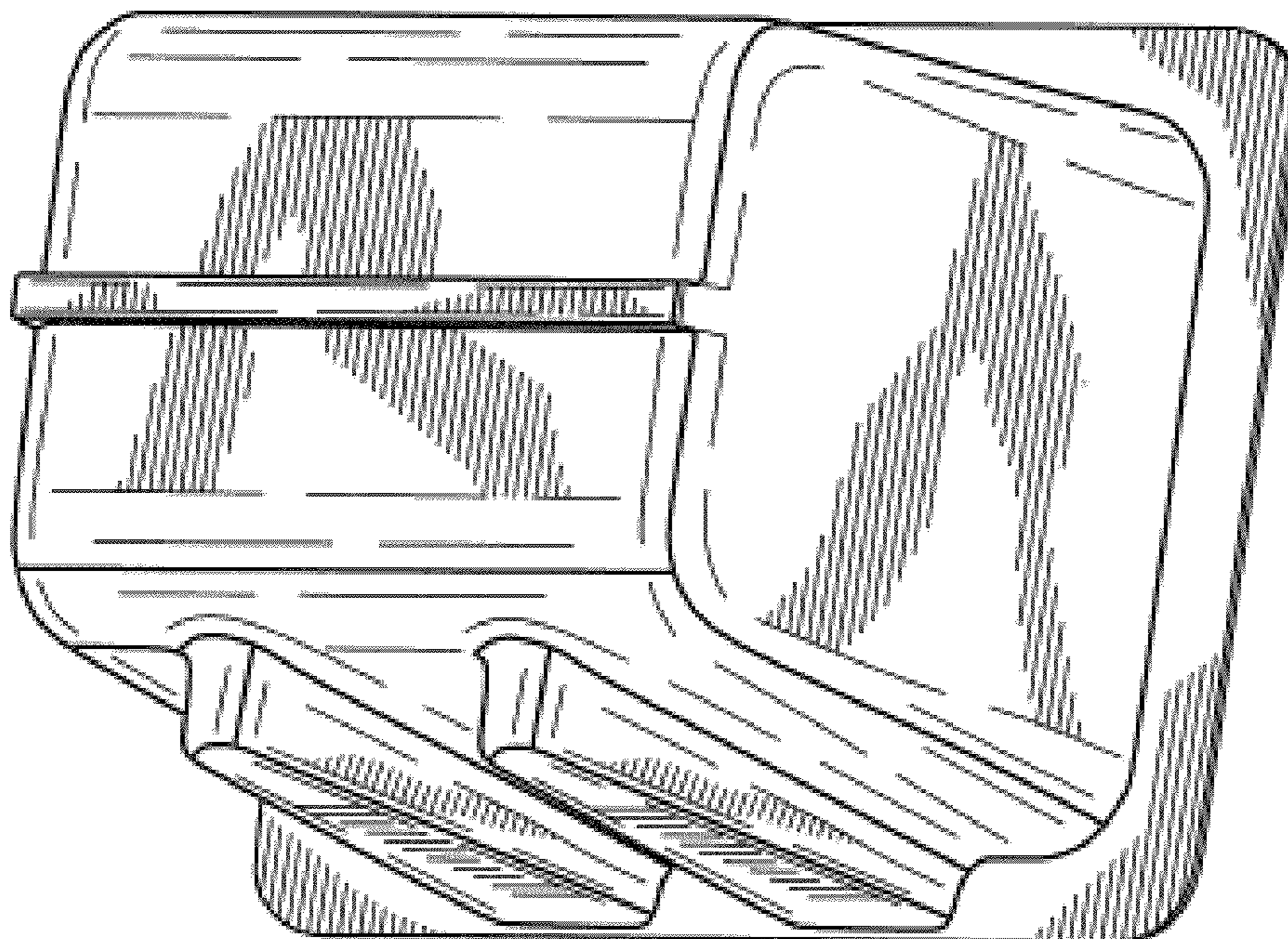
FIG. 5 is a top plan view thereof

FIG. 6 is a bottom plan view thereof; and,

FIG. 7 is a back elevation view thereof.

The broken line portion of FIG. 1 is included to show an unclaimed cardboard backing usage environment only and forms no part of the claimed design.

1 Claim, 4 Drawing Sheets



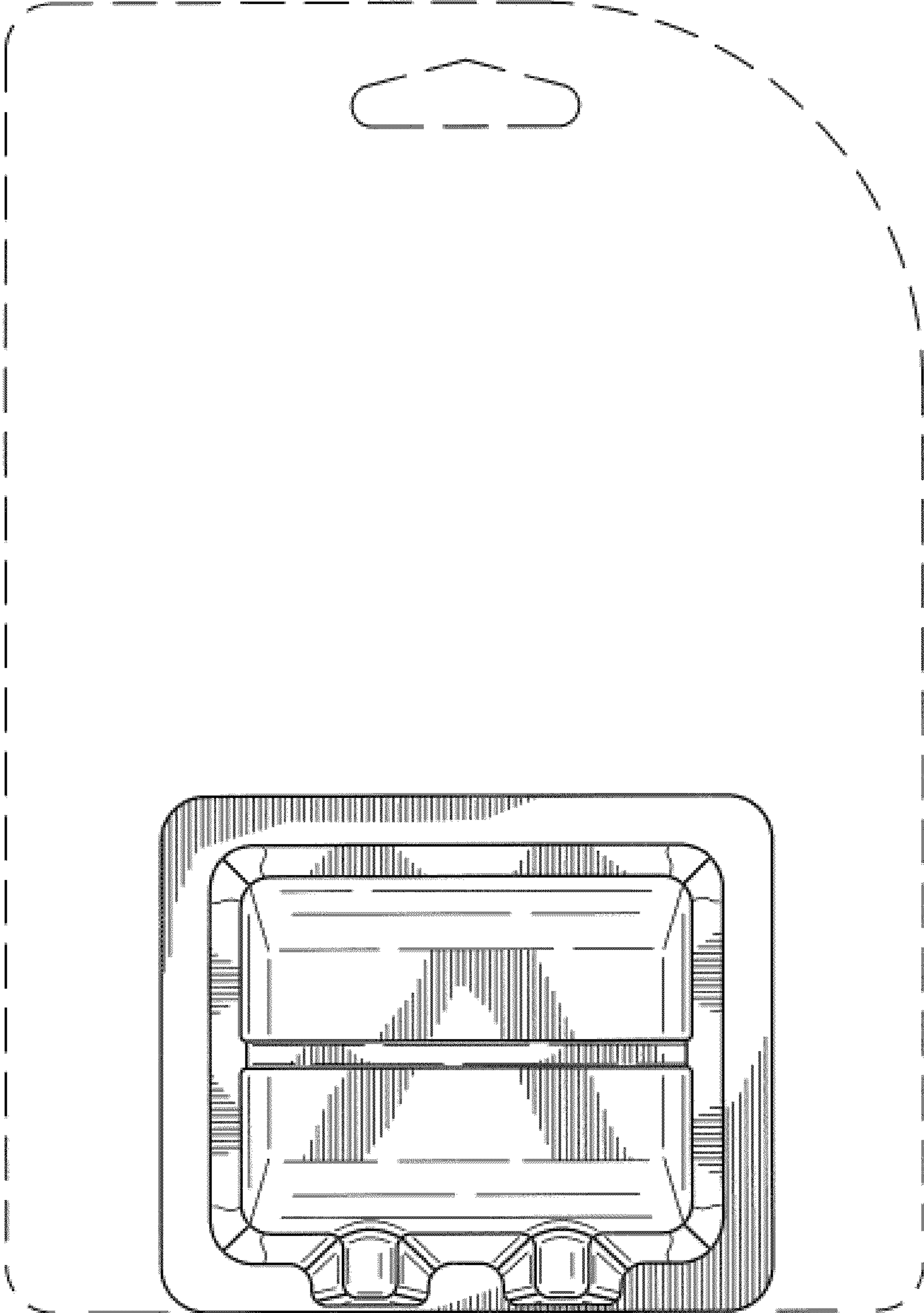


FIG. 1

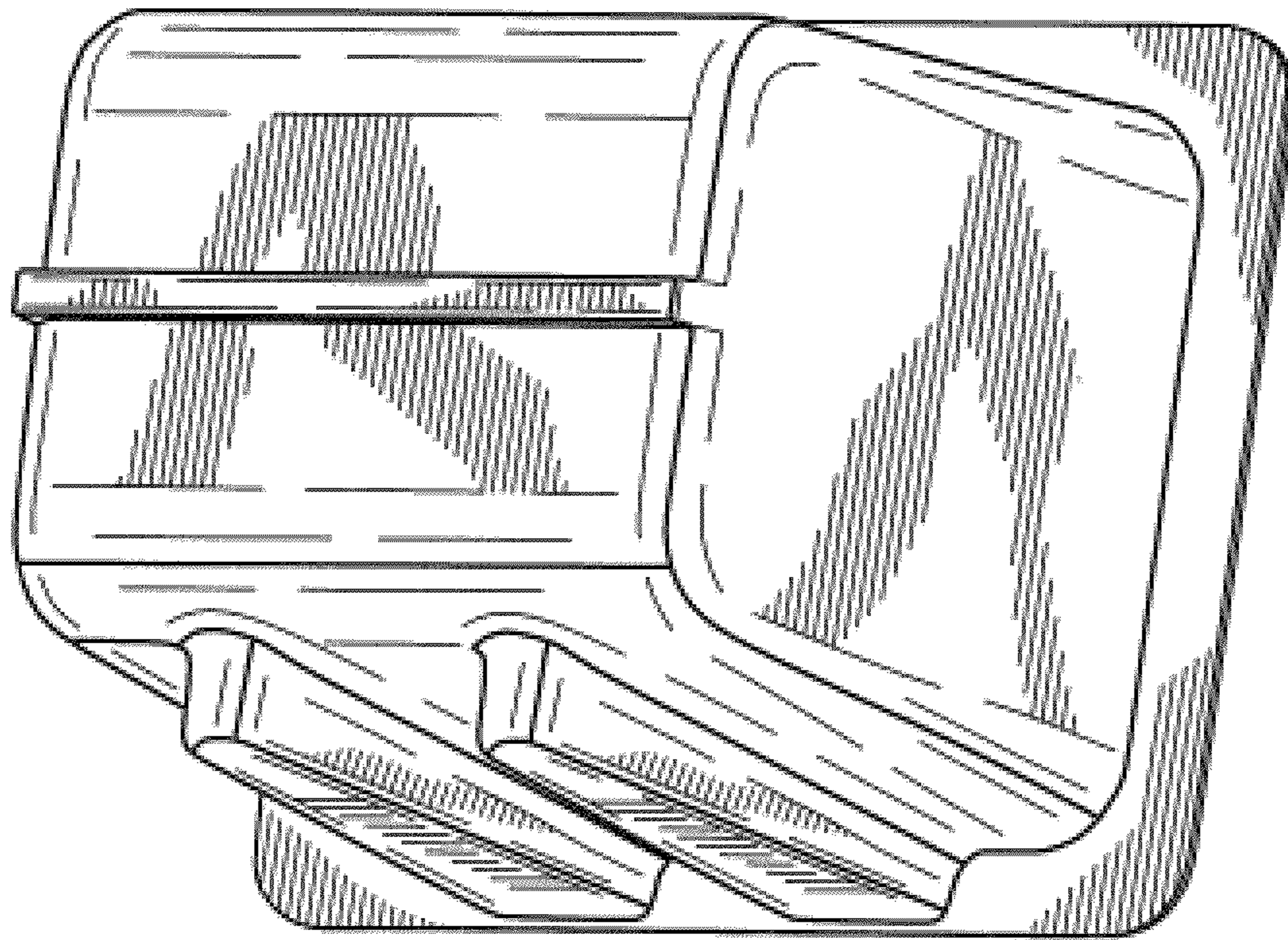


FIG. 2

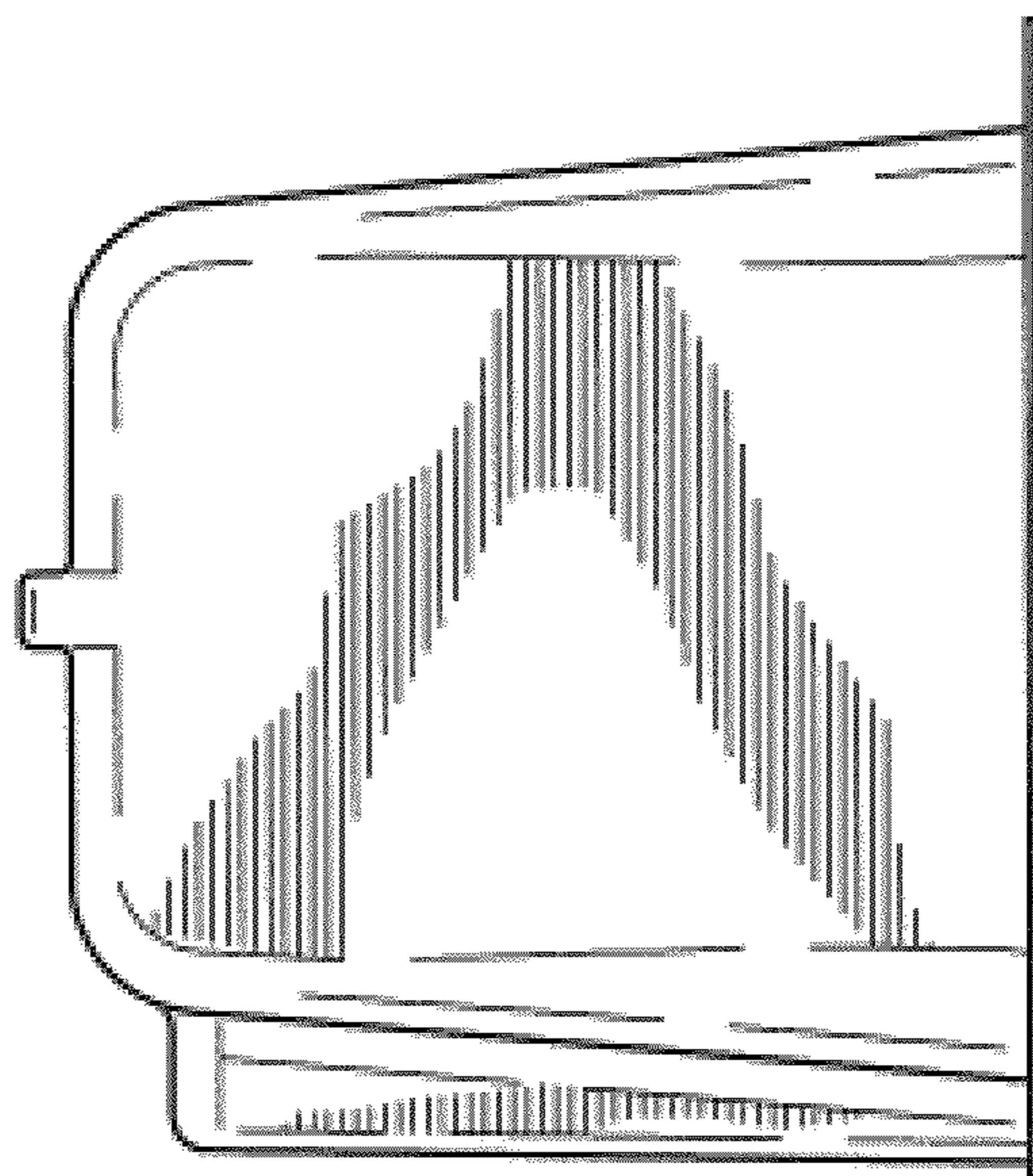


FIG. 3

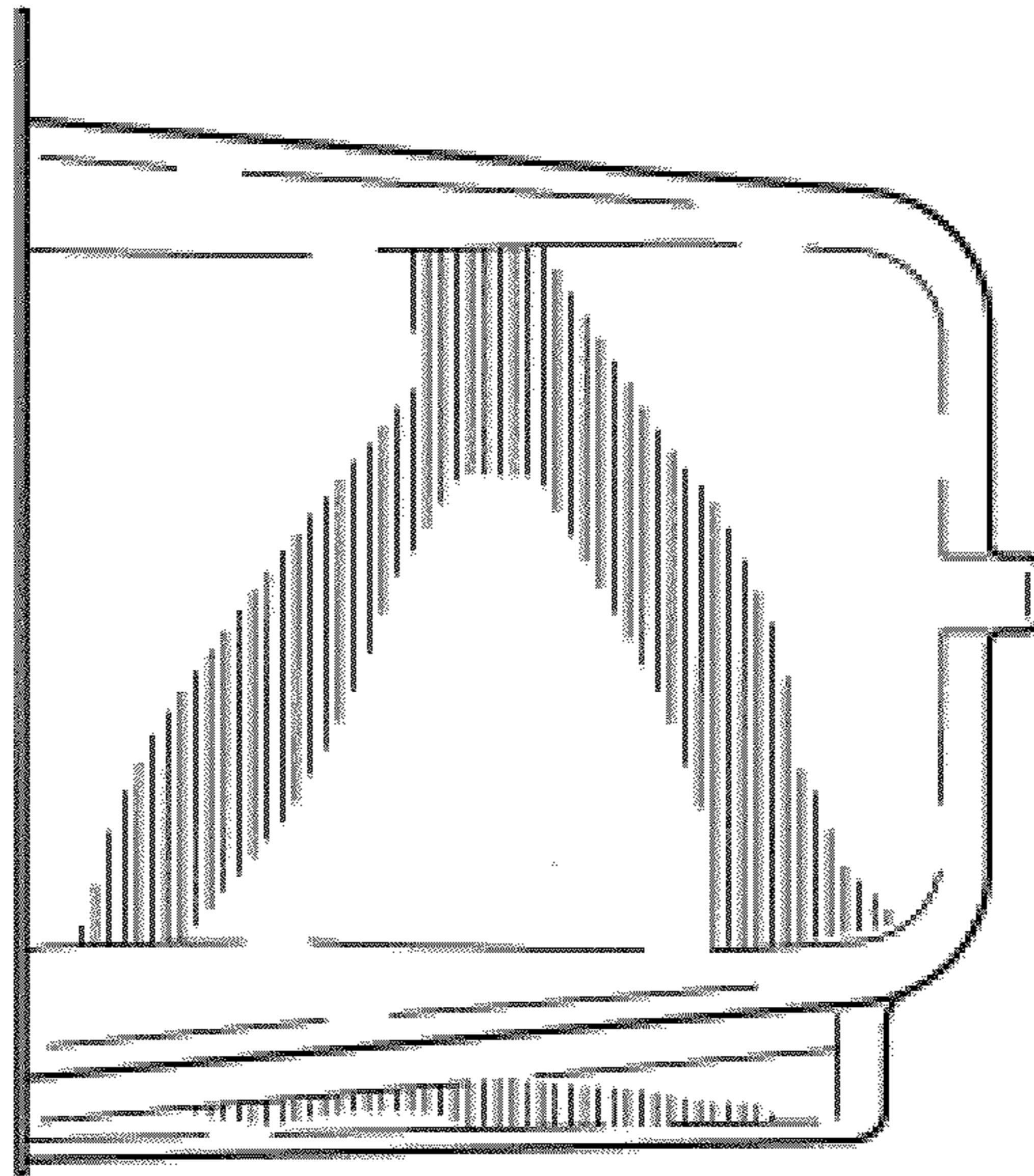


FIG. 4

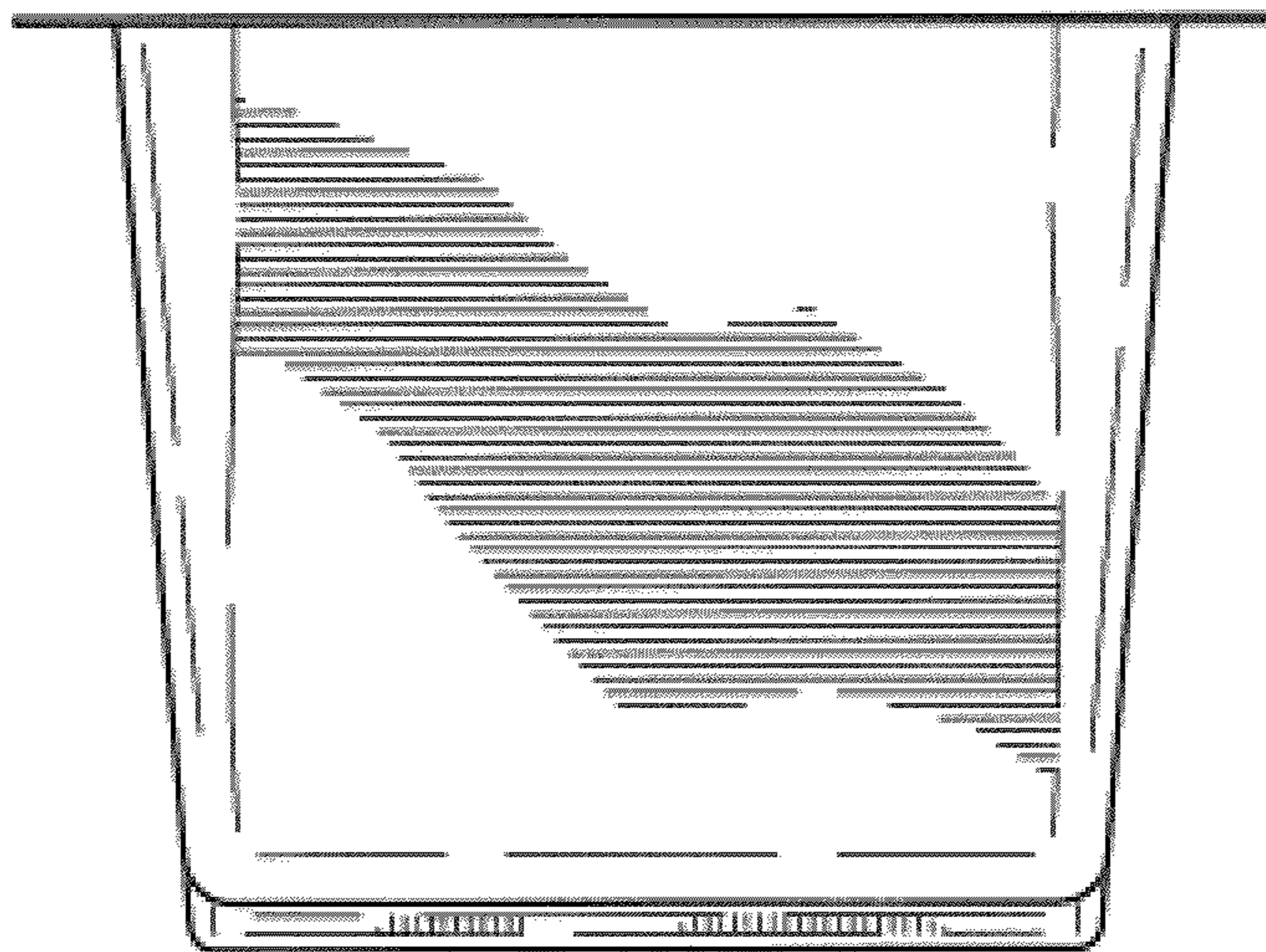


FIG. 5

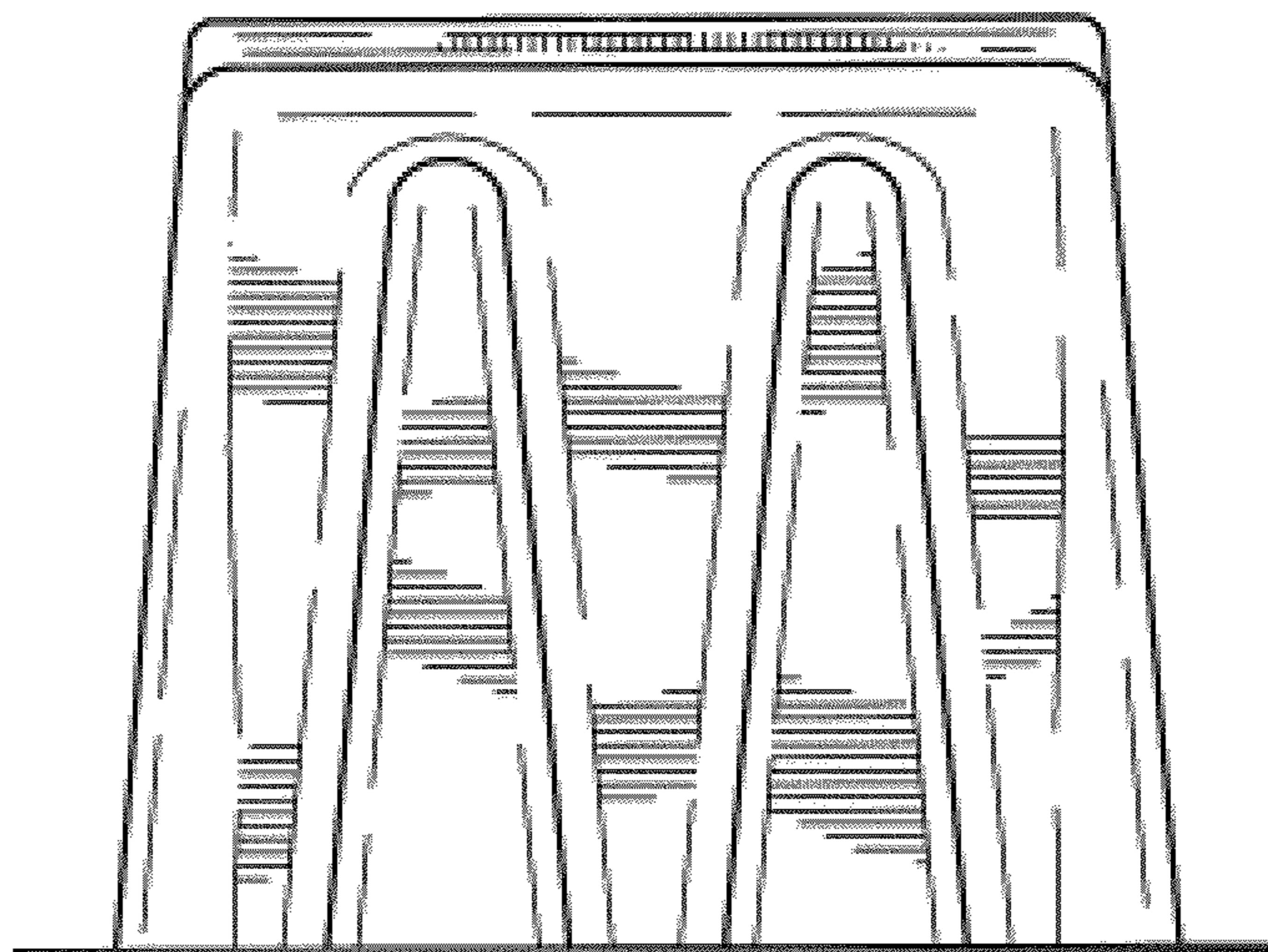


FIG. 6

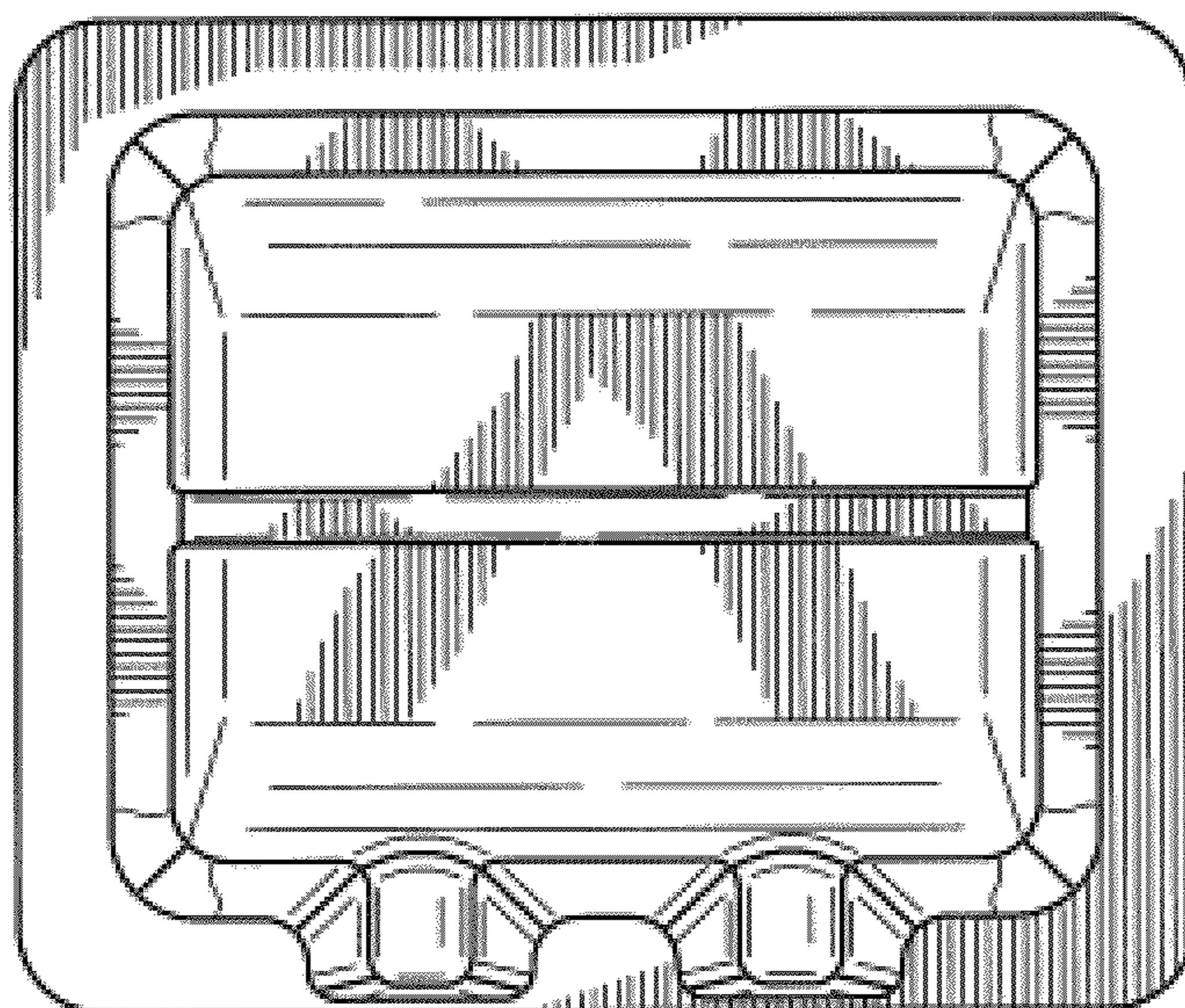


FIG. 7