



US00D690587S

(12) **United States Design Patent**  
**DeLisle**

(10) **Patent No.:** **US D690,587 S**

(45) **Date of Patent:** **\*\* Oct. 1, 2013**

(54) **PIZZA AND APPETIZER BOX**

(76) Inventor: **Steven DeLisle**, Plymouth, MA (US)

(\*\*) Term: **14 Years**

(21) Appl. No.: **29/431,593**

(22) Filed: **Sep. 10, 2012**

(51) **LOC (9) Cl.** ..... **09-03**

(52) **U.S. Cl.**  
USPC ..... **D9/423**

(58) **Field of Classification Search**  
USPC ..... D9/414, 417, 418, 420-424, 430-433,  
D9/600-601, 606; 206/457, 461, 527, 541;  
229/406, 407, 902, 905, 906, 938;  
D3/270-271.2; 220/890; 426/128; D21/597,  
D21/658

See application file for complete search history.

(56) **References Cited**

**U.S. PATENT DOCUMENTS**

3,985,230	A *	10/1976	Meyer et al.	.....	206/424
4,441,626	A *	4/1984	Hall	.....	229/154
D406,759	S *	3/1999	Lawrence	.....	D9/430
5,887,783	A *	3/1999	Prokopis	.....	229/199
6,932,267	B2 *	8/2005	Potenza et al.	.....	229/199

D649,040	S *	11/2011	Sanders	.....	D9/432
2004/0094436	A1 *	5/2004	Potenza et al.	.....	206/204
2011/0253773	A1 *	10/2011	Lozier	.....	229/103.11
2012/0305634	A1 *	12/2012	VonAlst	.....	229/146

\* cited by examiner

*Primary Examiner* — Thomas Johannes

(74) *Attorney, Agent, or Firm* — Gary E. Lambert; David J. Connaughton, Jr.; Lambert & Associates

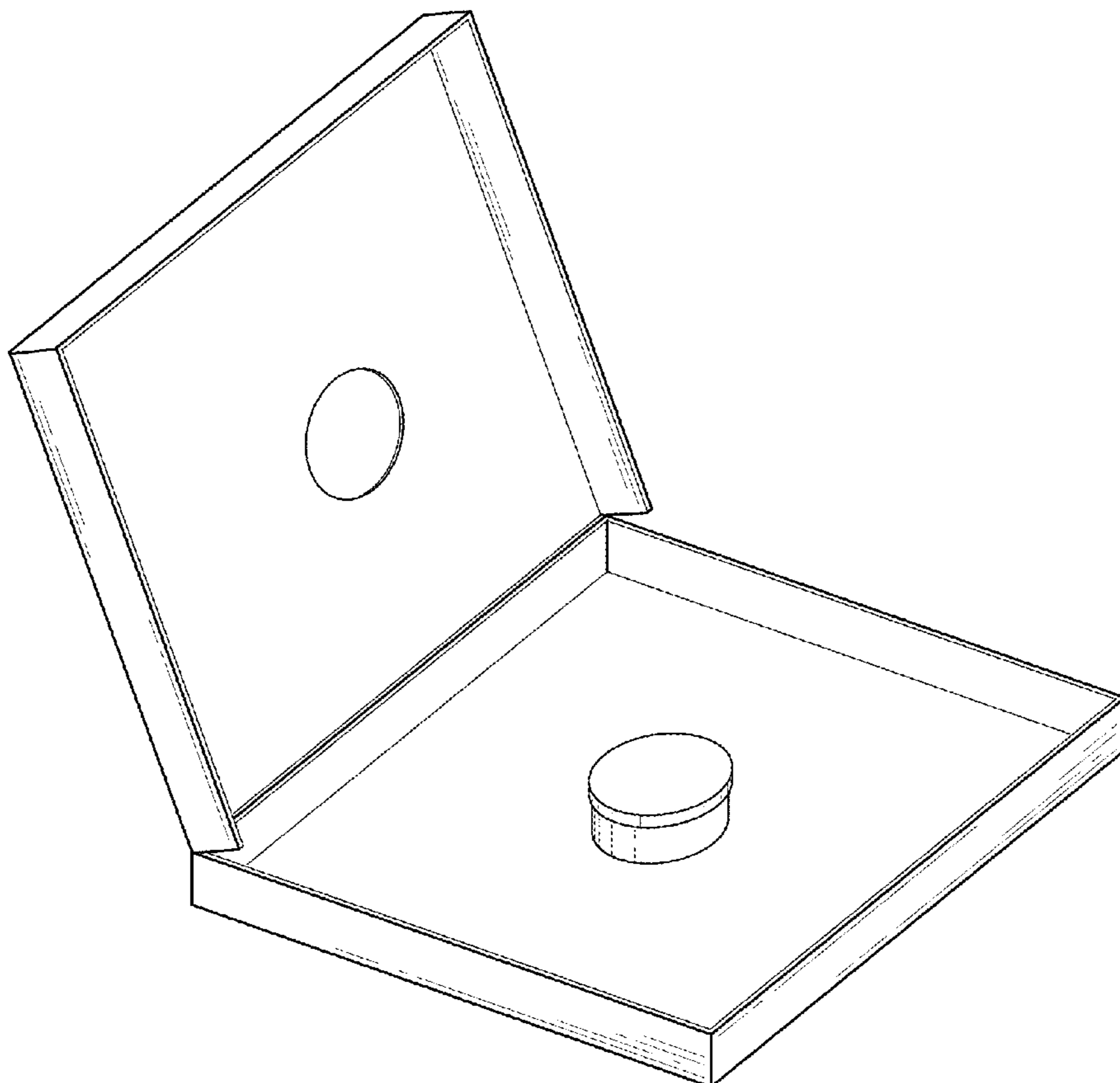
(57) **CLAIM**

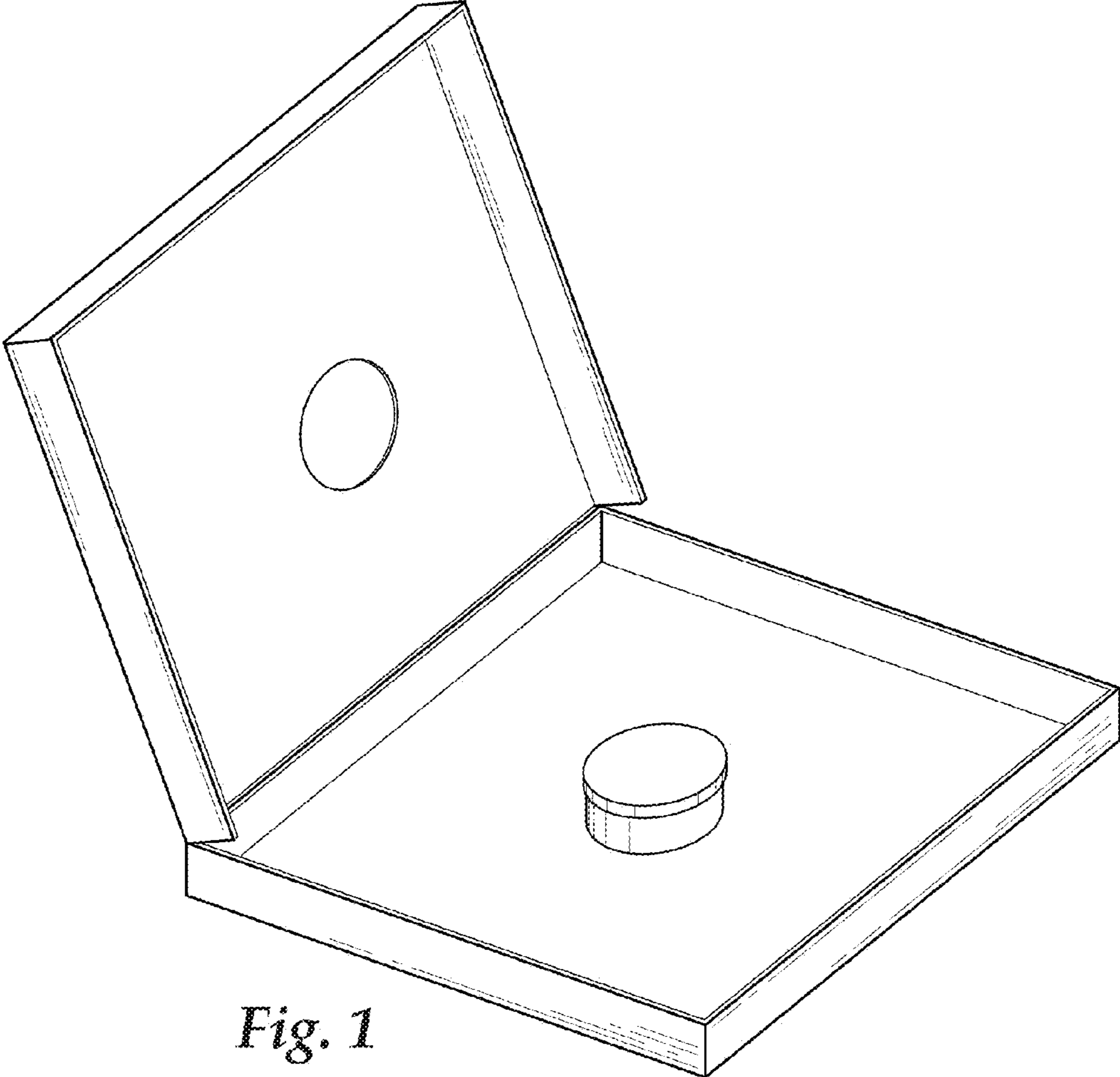
The ornamental design for a pizza and appetizer box, as shown and described.

**DESCRIPTION**

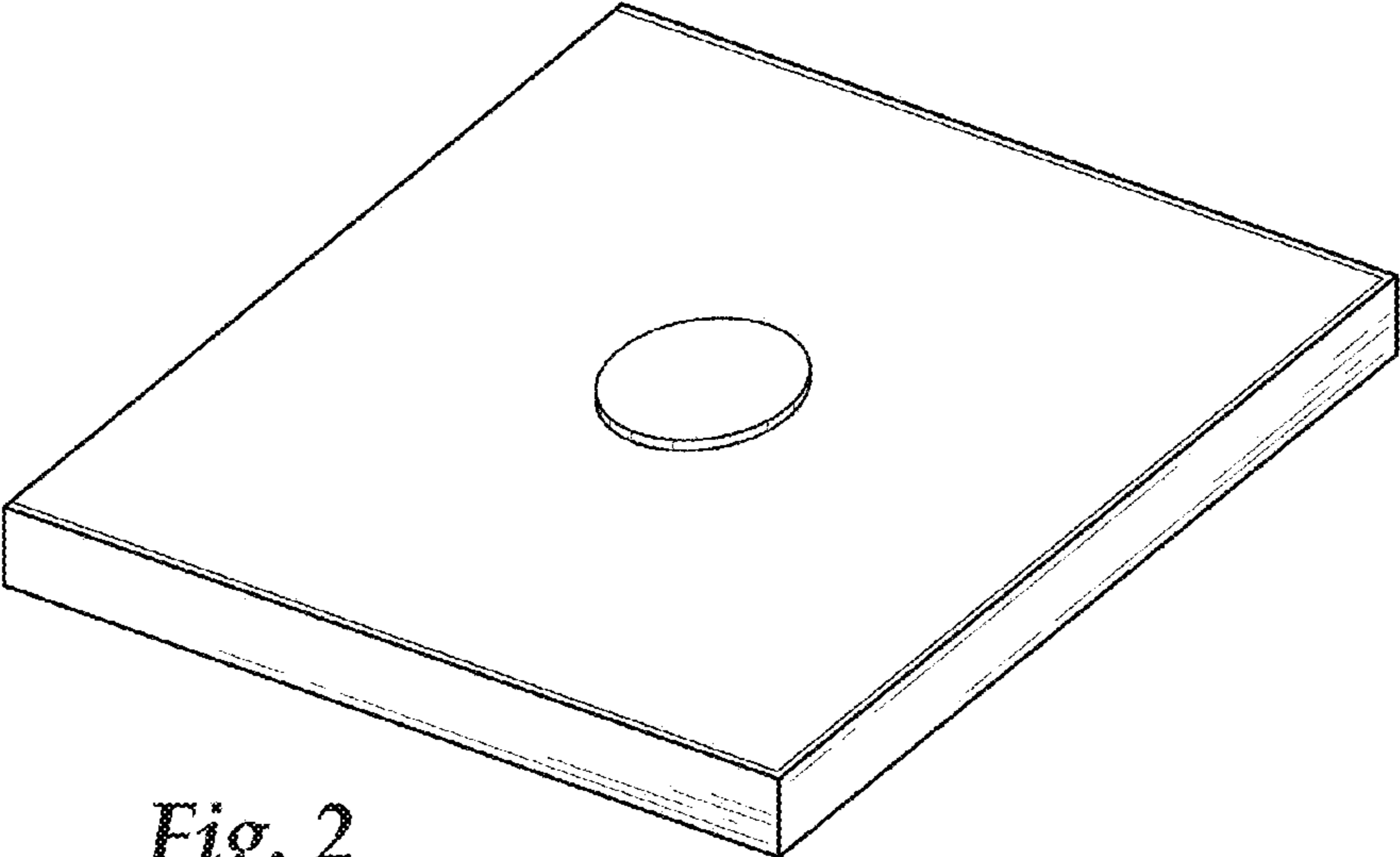
FIG. 1 is an isometric view of the left front side of the opened pizza and appetizer box, showing my new design;  
FIG. 2 is an isometric view of the left front side thereof in a closed condition;  
FIG. 3 is side view thereof;  
FIG. 4 is a top plane view thereof;  
FIG. 5 is a bottom plan view thereof; and,  
FIG. 6 is an isometric thereof in a typical usage condition.  
The broken lines showing of the pizza and wings in FIG. 6 depicts unclaimed subject matter only and forms no part of the claimed design.

**1 Claim, 3 Drawing Sheets**





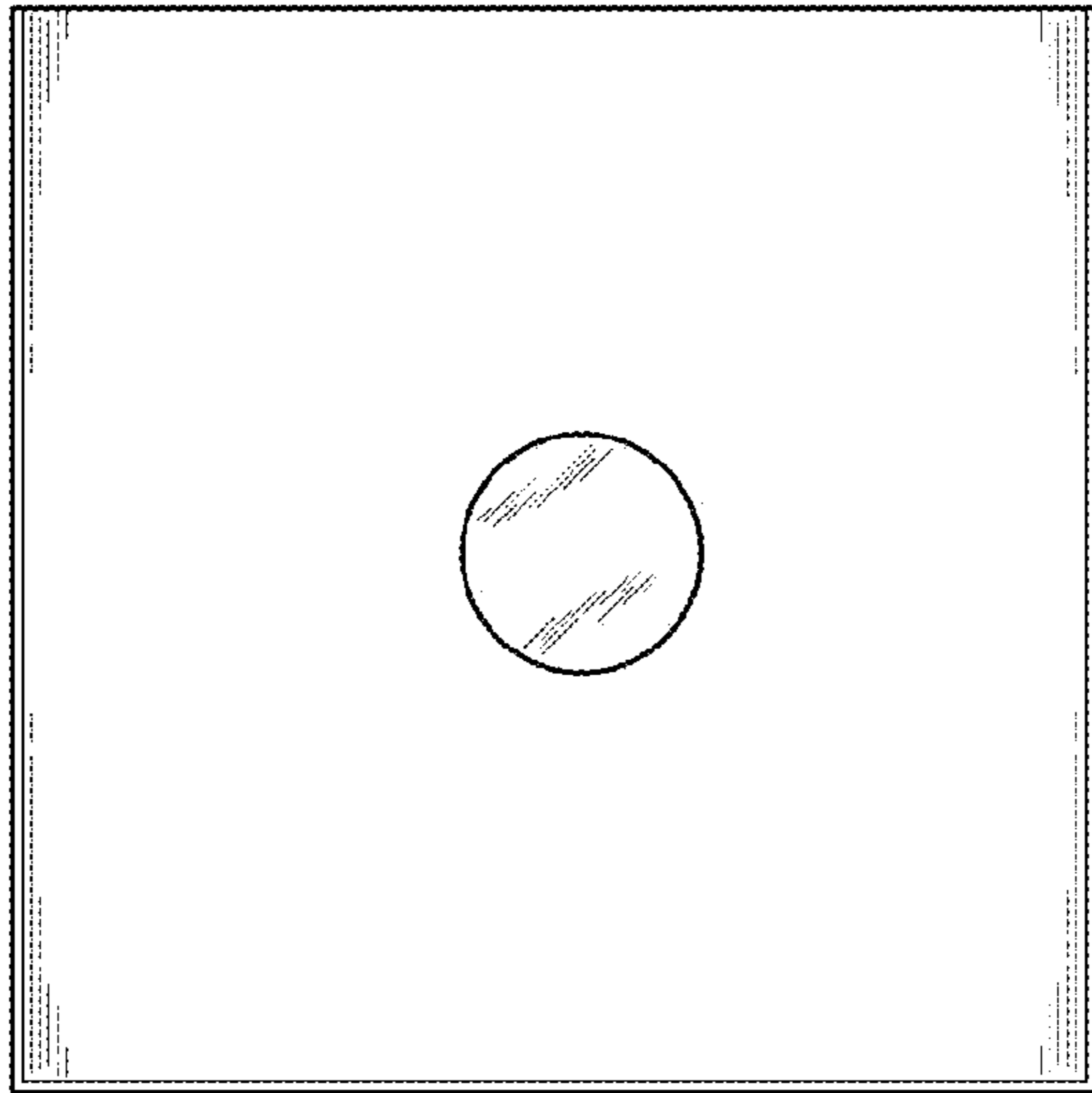
*Fig. 1*



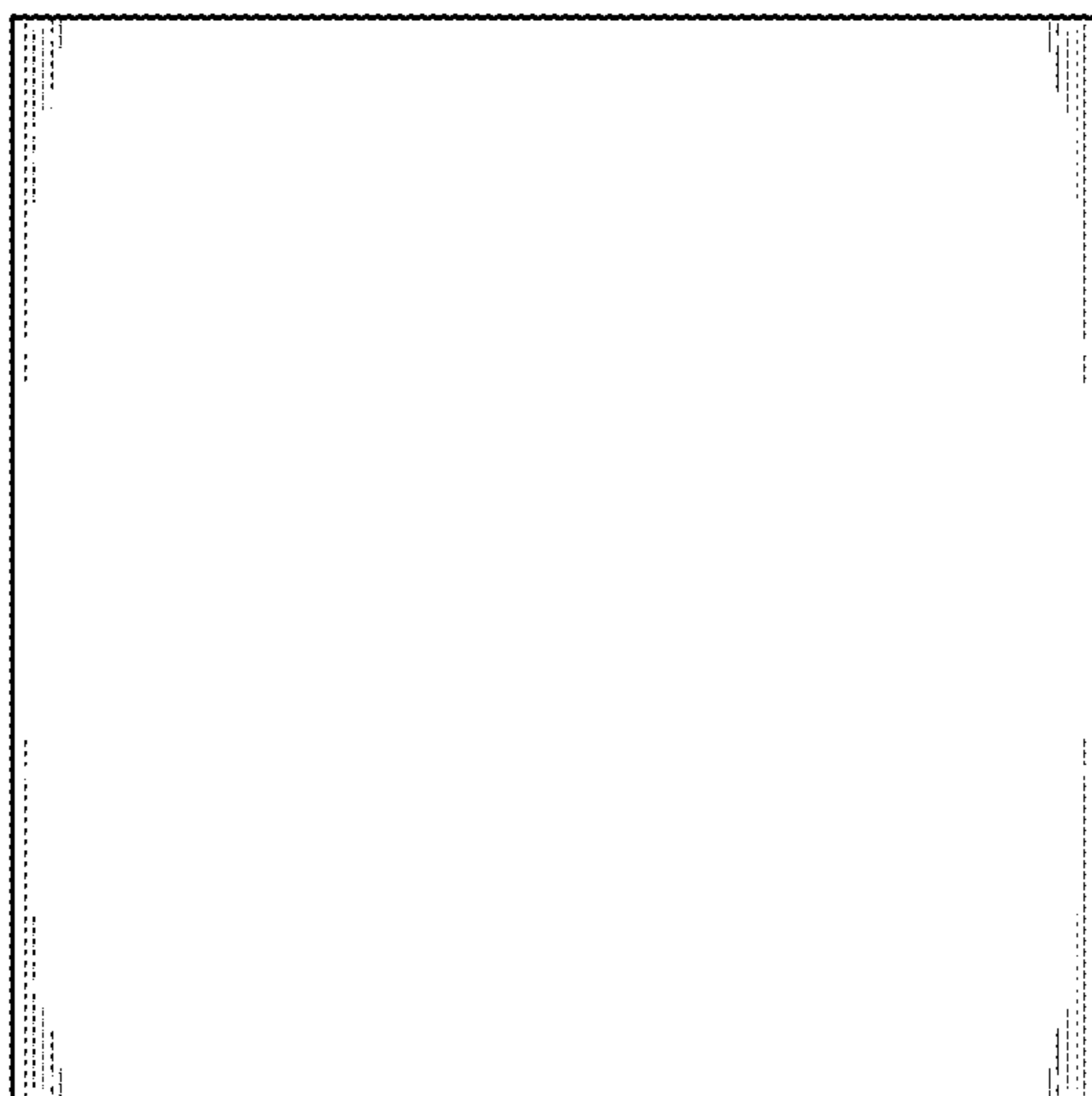
*Fig. 2*



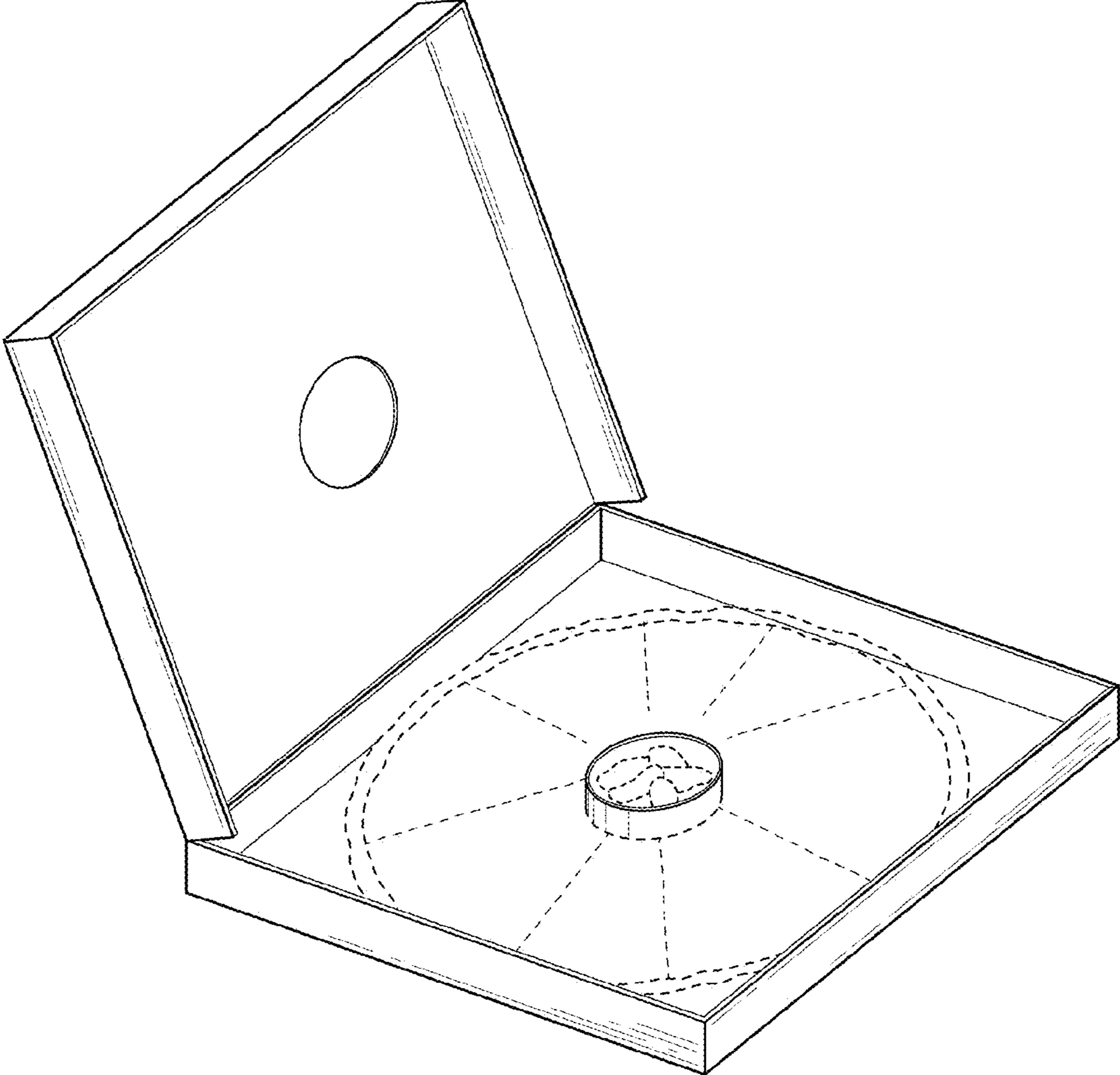
*Fig. 3*



*Fig. 4*



*Fig. 5*



*Fig. 6*