



US00D690585S

(12) **United States Design Patent**
Wada et al.

(10) **Patent No.:** **US D690,585 S**
(45) **Date of Patent:** **** Oct. 1, 2013**

- (54) **PACKAGING CONTAINER**
- (71) Applicant: **Toppan Printing Co., Ltd.**, Tokyo (JP)
- (72) Inventors: **Kiyoshi Wada**, Hyogo (JP); **Masahiro Yoshida**, Osaka (JP)
- (73) Assignee: **Toppan Printing Co., Ltd.**, Tokyo (JP)
- (**) Term: **14 Years**
- (21) Appl. No.: **29/445,792**
- (22) Filed: **Feb. 15, 2013**

Related U.S. Application Data

- (62) Division of application No. 29/417,144, filed on Mar. 30, 2012, now Pat. No. Des. 679,583.

(30) **Foreign Application Priority Data**

Mar. 5, 2012 (JP) 2012-004881

- (51) **LOC (9) Cl.** **09-03**
- (52) **U.S. Cl.**
USPC **D9/420**
- (58) **Field of Classification Search**
USPC D9/414, 417, 420-425, 429, 434,
D9/503, 529, 387; D7/390, 302, 608, 612,
D7/615; D28/73, 88; 215/200; 229/87.13,
229/160.1, 116.1; 206/265-270, 276, 457;
220/608, 669, 675, 676, 834-843
See application file for complete search history.

(56) **References Cited**

U.S. PATENT DOCUMENTS

- D491,275 S 6/2004 Walters et al.
- D555,490 S 11/2007 Liu D9/549
- D559,677 S 1/2008 Laib D3/302
- D598,738 S 8/2009 Supranowicz D9/420

- D599,032 S 8/2009 Bucholtz et al.
- D599,655 S 9/2009 Friebe et al. D9/420
- D608,011 S 1/2010 Giraud et al.
- D621,951 S 8/2010 Bucholtz et al.

(Continued)

FOREIGN PATENT DOCUMENTS

WO DM/067982 8/2006

OTHER PUBLICATIONS

Restriction Requirement mailed from the United States Patent and Trademark Office on Oct. 12, 2012 in the related Design U.S. Appl. No. 29/417,144.

(Continued)

Primary Examiner — Thomas Johannes

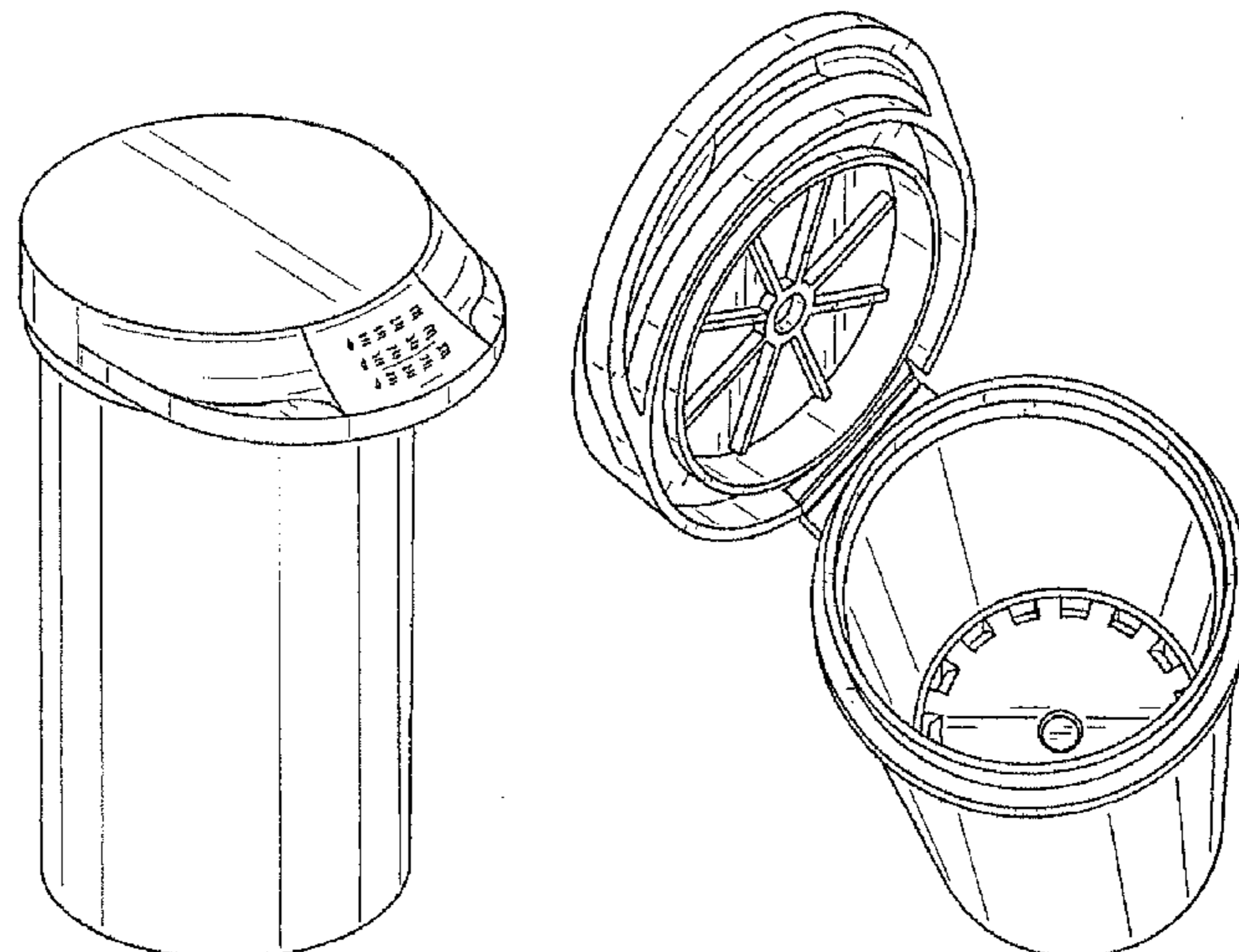
(57) **CLAIM**

The ornamental design for a packaging container, as shown and described.

DESCRIPTION

FIG. 1 is a perspective view of a packaging container, showing our new design;
 FIG. 2 is a top view thereof;
 FIG. 3 is a bottom view thereof;
 FIG. 4 is a front view thereof;
 FIG. 5 is a right side view thereof, with a left side view being symmetrical thereto;
 FIG. 6 is a rear view thereof;
 FIG. 7 is a sectional view thereof taken in the direction of line 7-7 in FIG. 2;
 FIG. 8 is a top view thereof with the lid open; and
 FIG. 9 is a perspective view thereof with the lid open.
 Any broken lines showing in FIGS. 1-9 are for the purpose of illustrating the present invention and form no part of the claimed design.

1 Claim, 3 Drawing Sheets



(56)

References Cited

U.S. PATENT DOCUMENTS

D631,168 S 1/2011 Bucholtz et al.
 D641,087 S * 7/2011 Garren et al. D24/224
 D644,336 S 8/2011 Belfance et al.
 D644,337 S 8/2011 Belfance et al.
 D644,739 S 9/2011 Belfance et al.
 D644,740 S 9/2011 John et al.
 D647,211 S 10/2011 Belfance et al.
 D649,658 S 11/2011 Belfance et al.
 D649,659 S 11/2011 Belfance et al.
 8,051,998 B1 11/2011 Giraud et al. 215/261
 8,322,565 B2 * 12/2012 Caulfield et al. 220/783
 D677,396 S * 3/2013 Belfance et al. D24/224
 D677,397 S * 3/2013 Belfance et al. D24/224
 D677,398 S * 3/2013 Belfance et al. D24/224

D677,399 S * 3/2013 Belfance et al. D24/224
 2006/0219727 A1 10/2006 Giraud 220/839
 2008/0035658 A1 2/2008 Caulfield et al. 220/839
 2009/0095699 A1 * 4/2009 Milante 215/217
 2011/0089187 A1 4/2011 Steiger et al. 220/839
 2012/0055946 A1 3/2012 Caulfield et al. 220/839
 2012/0055947 A1 3/2012 Caulfield et al. 220/839

OTHER PUBLICATIONS

Notice of Allowance mailed from the United States Patent and Trade-
 mark Office on Nov. 29, 2012 in the related Design U.S. Appl. No.
 29/417,144.
 U.S. Appl. No. 29/417,144, filed Mar. 30, 2012, Kiyoshi Wada et al.
 Toppan Printing Co., Ltd.

* cited by examiner

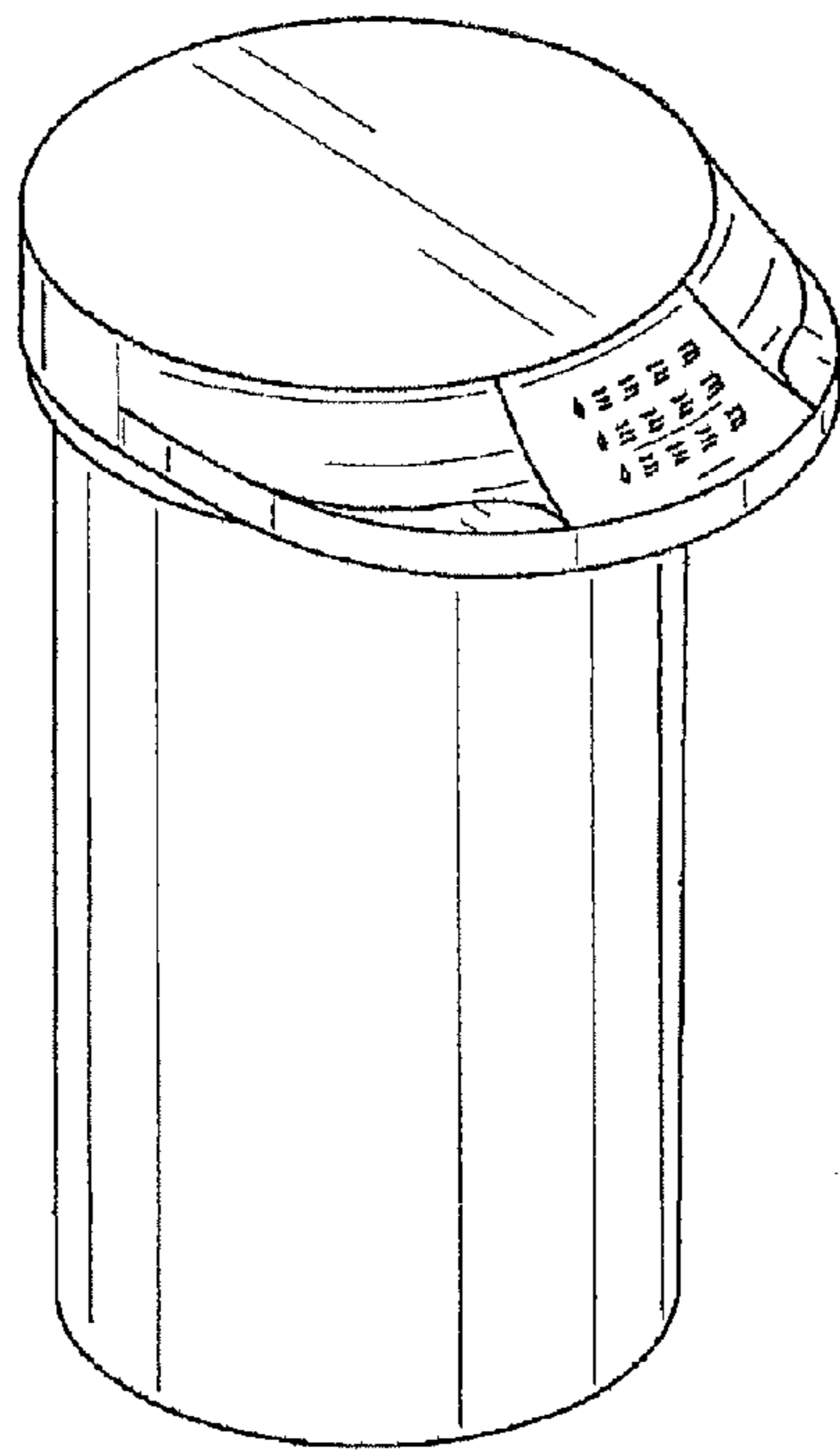


FIG. 1

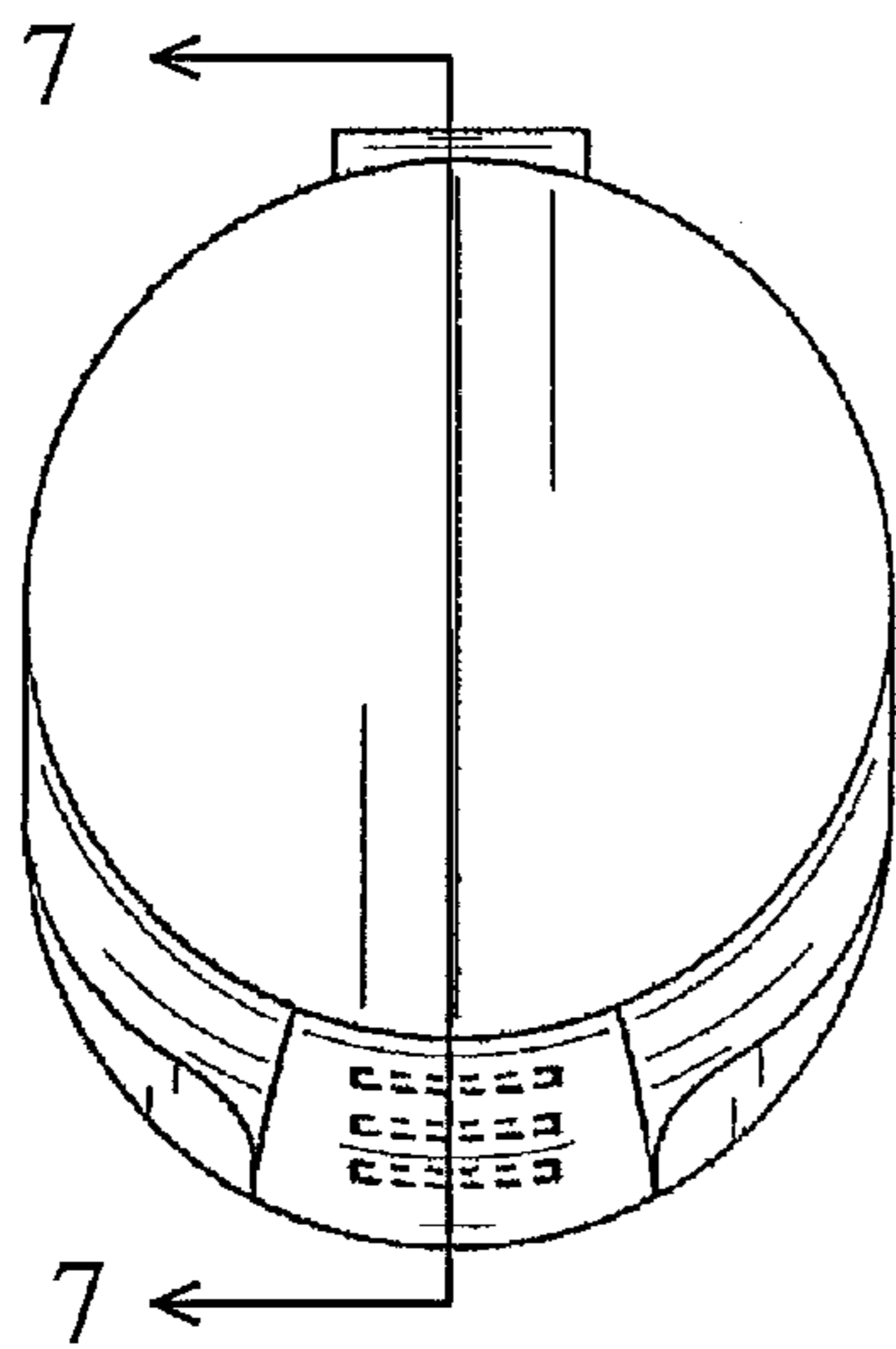


FIG. 2

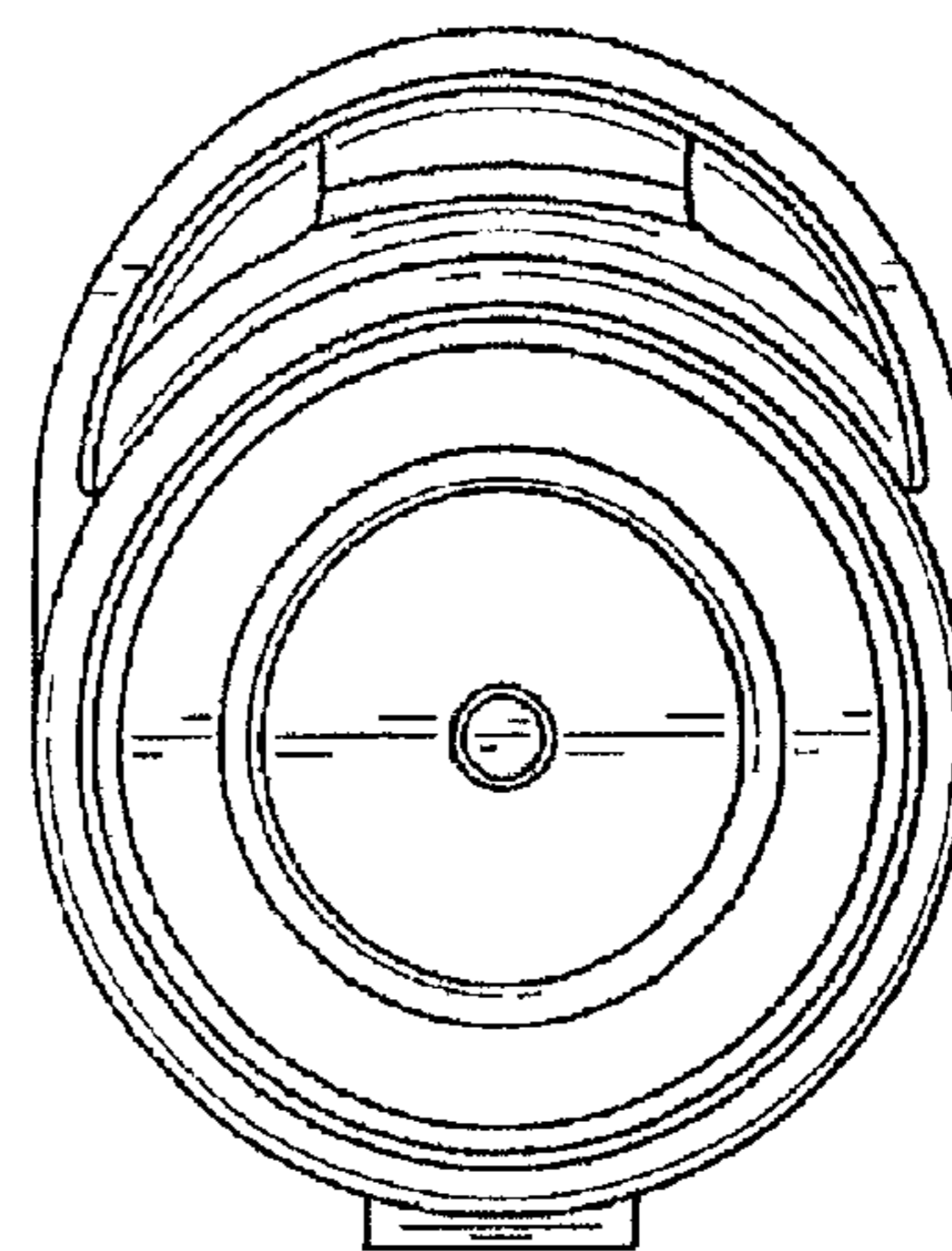


FIG. 3

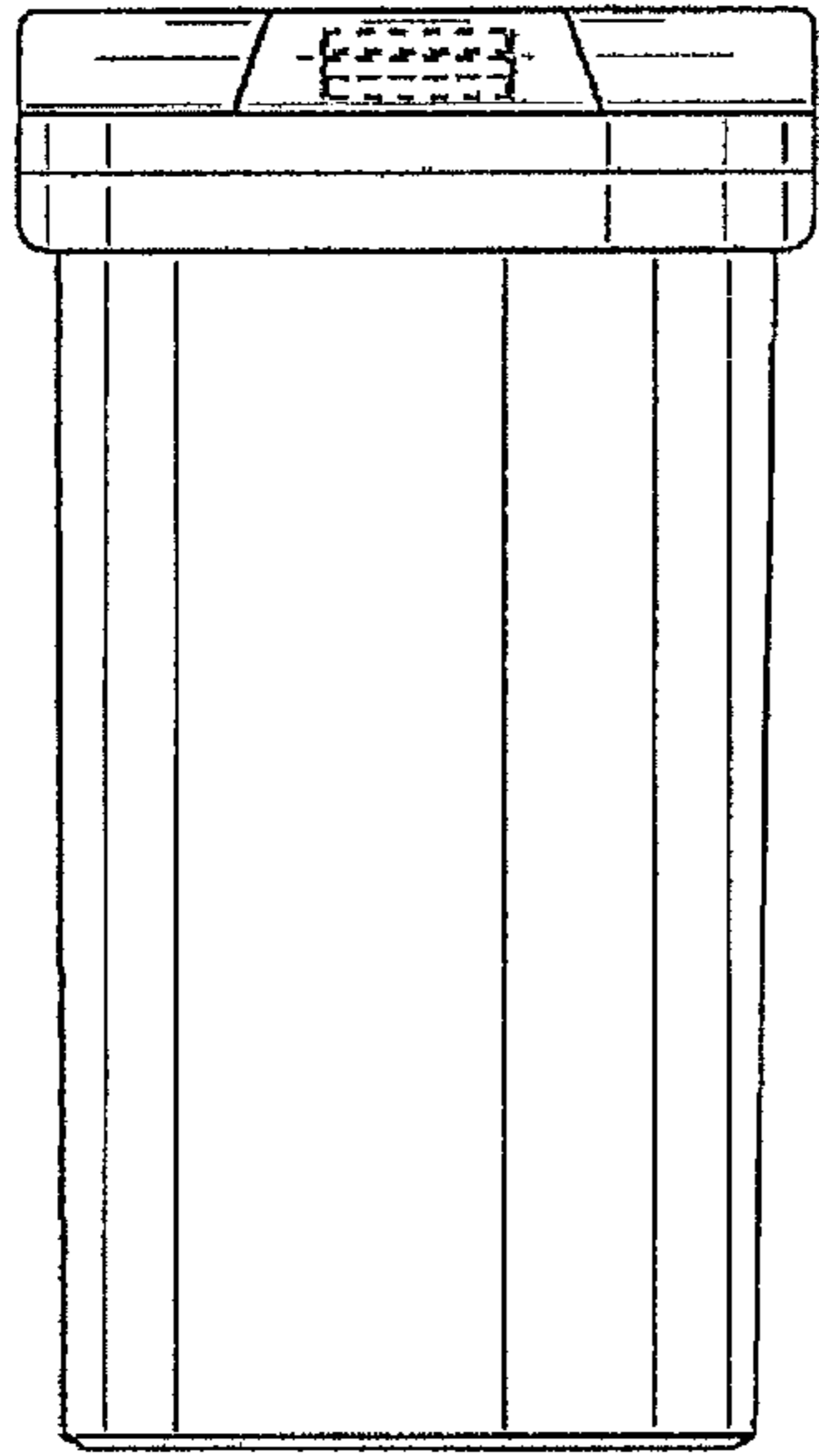


FIG. 4

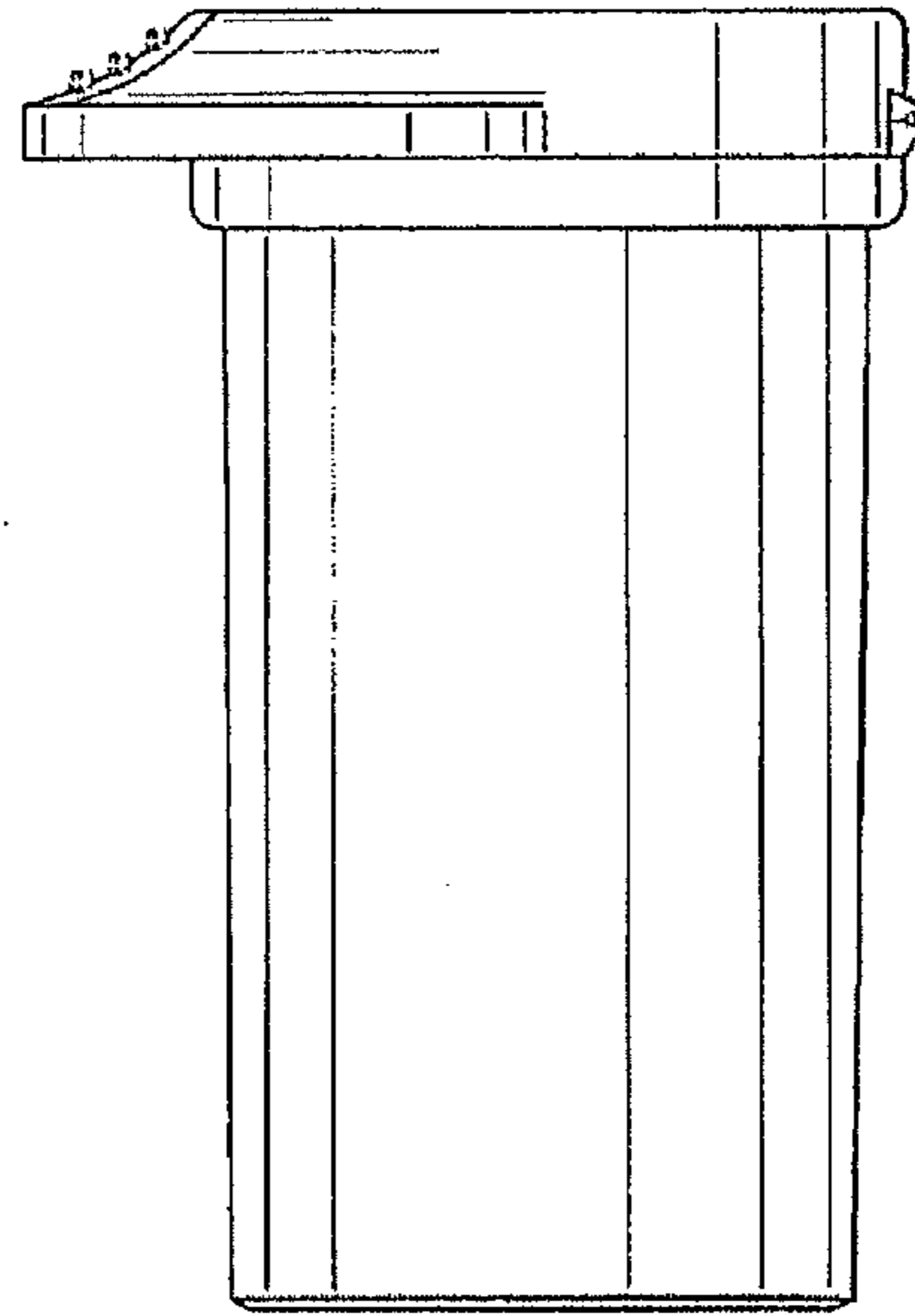


FIG. 5

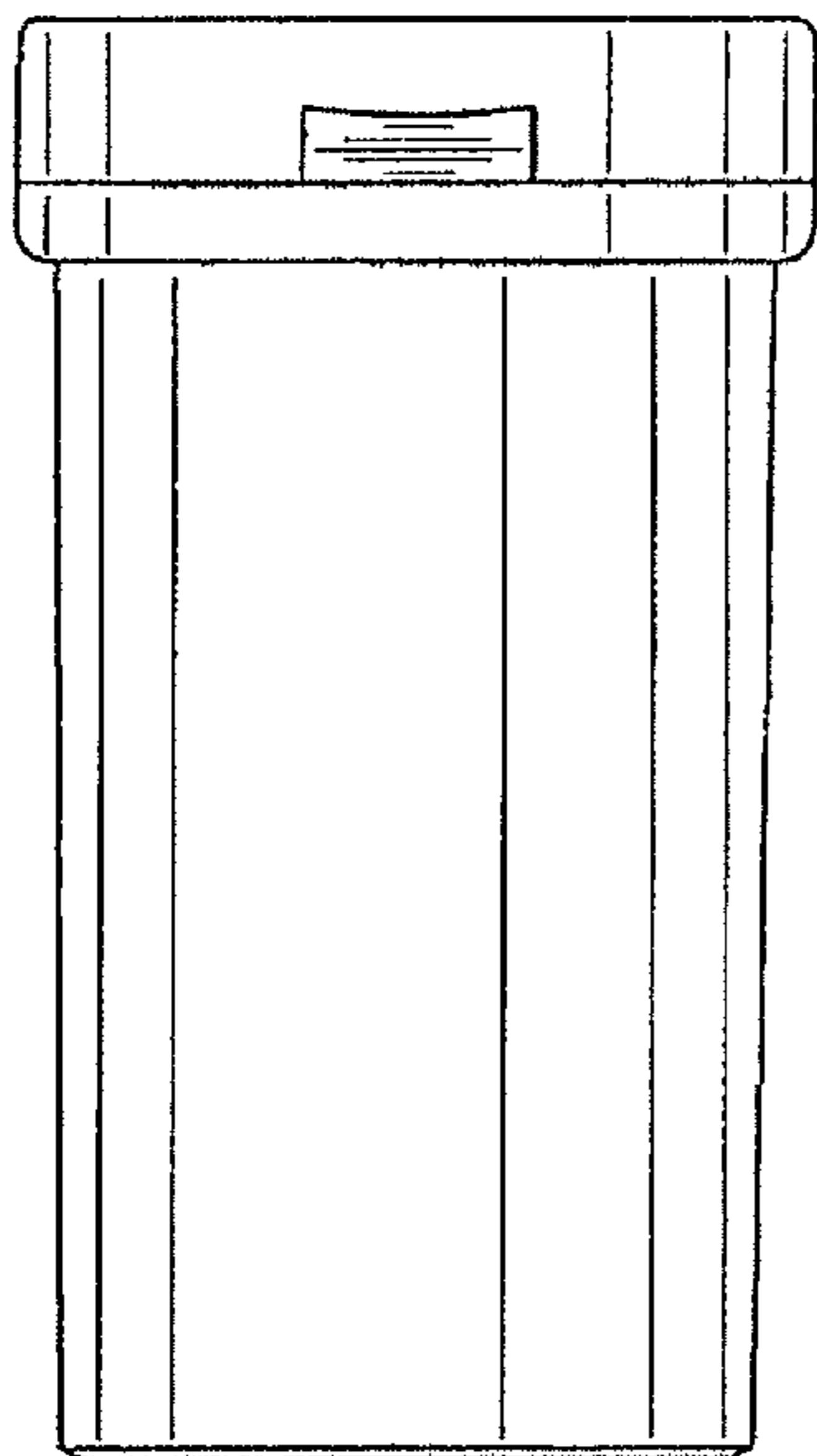


FIG. 6

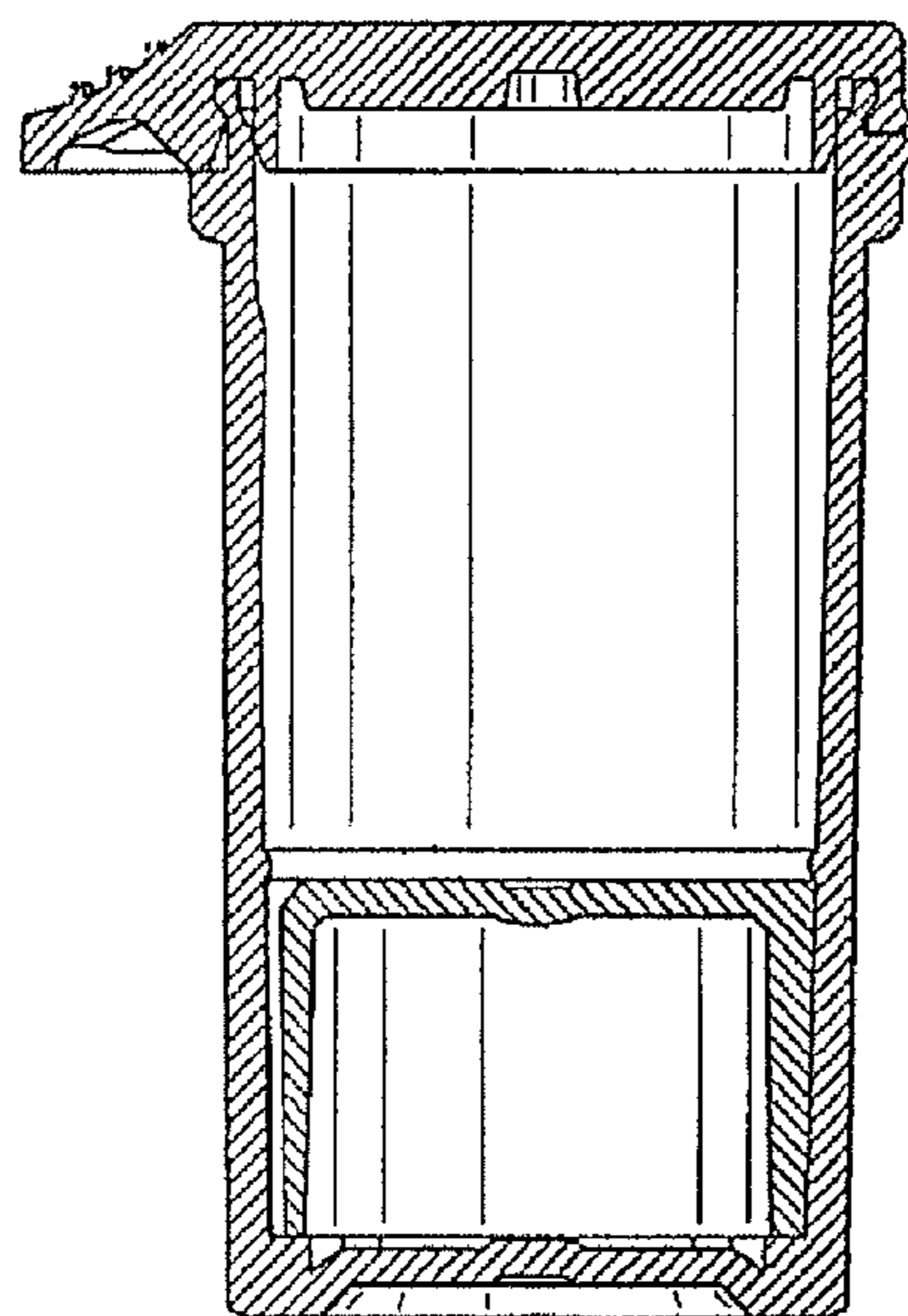


FIG. 7

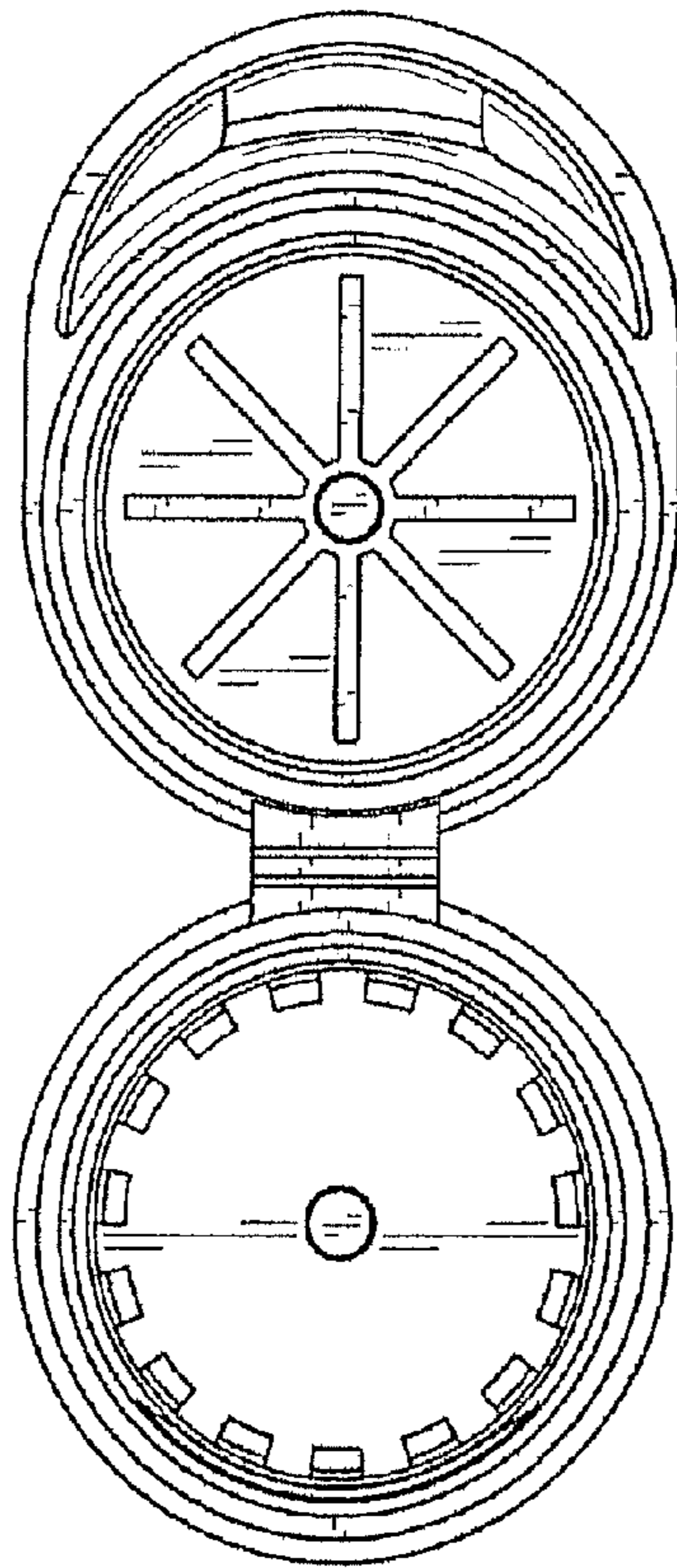


FIG. 8

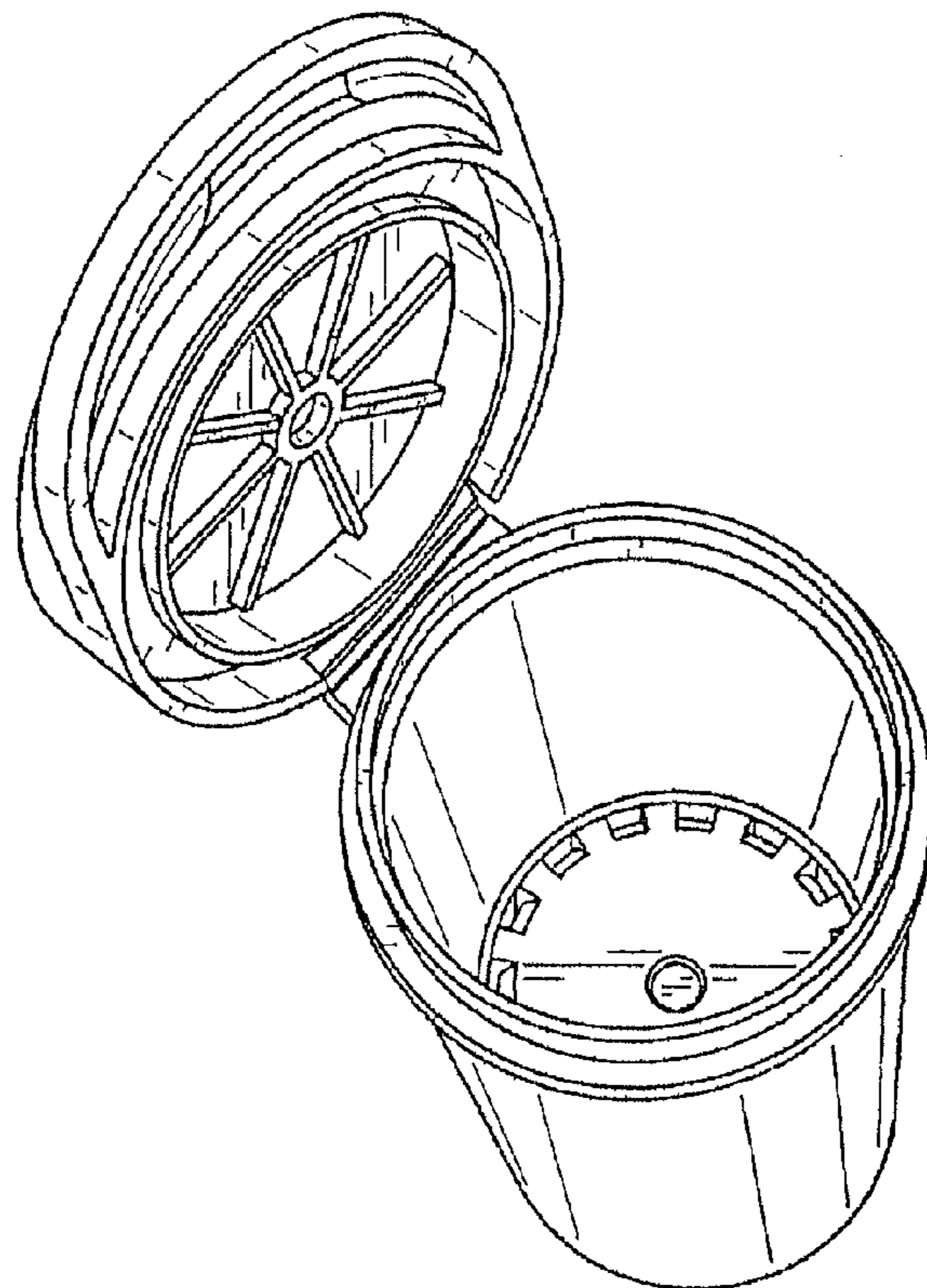


FIG. 9