



US00D690583S

(12) **United States Design Patent**
Sendra-Gonzalez et al.

(10) **Patent No.:** **US D690,583 S**

(45) **Date of Patent:** **** Oct. 1, 2013**

(54) **MOUNTING CLIP**

(76) Inventors: **Laura Sendra-Gonzalez**, Offenbach am Main (DE); **Arnd Pietrzak**, Berlin (DE)

(**) **Term:** **14 Years**

(21) **Appl. No.:** **29/424,564**

(22) **Filed:** **Jun. 13, 2012**

(30) **Foreign Application Priority Data**

Mar. 29, 2012 (CA) 145090

(51) **LOC (9) Cl.** **08-08**

(52) **U.S. Cl.**
USPC **D8/394; D8/395**

(58) **Field of Classification Search**

USPC D8/354, 356, 371, 394-396; D19/65, D19/86; D24/128; 248/74.2, 215, 227.1, 248/49, 300, 301, 316.7, 51, 489; 24/570, 24/3.12; D32/61; D11/78.1

See application file for complete search history.

(56) **References Cited**

U.S. PATENT DOCUMENTS

862,372	A *	8/1907	Alexander	403/241
1,717,156	A *	6/1929	Johansson	248/307
2,438,085	A *	3/1948	Woodings et al.	238/330
2,807,431	A *	9/1957	McHale	248/113
4,016,961	A *	4/1977	Howell, Jr.	191/23 A
4,119,285	A *	10/1978	Bisping et al.	248/72
4,135,692	A *	1/1979	Ferguson	248/544
D254,625	S *	4/1980	Stenersen	D20/43
4,564,165	A *	1/1986	Grant et al.	248/343
4,741,590	A *	5/1988	Caron	385/60
4,899,973	A *	2/1990	Ishida et al.	248/298.1
4,958,792	A *	9/1990	Rinderer	248/74.2
D321,639	S *	11/1991	Adams	D8/373
D339,981	S *	10/1993	Barnes	D8/373
5,533,696	A *	7/1996	Laughlin et al.	248/74.2
D389,526	S *	1/1998	Callas	D20/43
6,027,091	A *	2/2000	Johnson	248/340

6,899,305	B2 *	5/2005	Korczak et al.	248/68.1
D570,203	S *	6/2008	Shiomoto	D8/395
D581,871	S *	12/2008	Gershfeld	D13/139.4
D601,412	S *	10/2009	Brown et al.	D8/395
D632,554	S *	2/2011	Grzyb	D8/395
D671,391	S *	11/2012	Komeno et al.	D8/356
2002/0060280	A1 *	5/2002	Yaphe et al.	248/317
2009/0242715	A1 *	10/2009	Kosidlo et al.	248/231.81

FOREIGN PATENT DOCUMENTS

DE	29611109	U1	12/1996
DE	29618279	U1	12/1996
DE	202007002252	U1	4/2007
DE	202007005304	U1	6/2007
DE	202009003667	U1	7/2009
DE	102009024615	A1	2/2010
DE	102008051338	A1	4/2010
DE	102009018782	B3	9/2010
DE	102009023021	A1	12/2010
DE	102009036607	A1	2/2011

* cited by examiner

Primary Examiner — John Windmuller

(74) *Attorney, Agent, or Firm* — Dickinson Wright PLLC

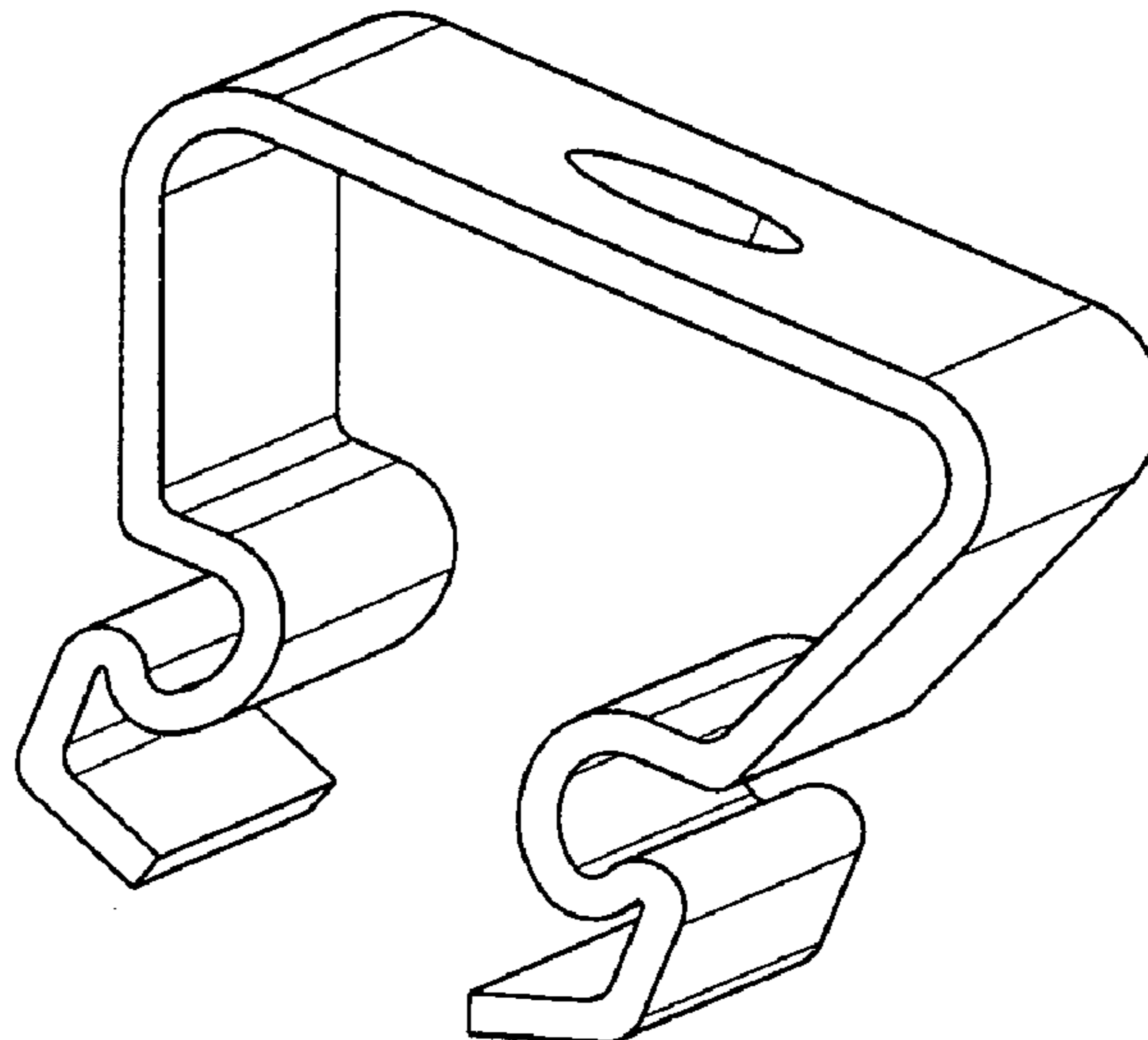
(57) **CLAIM**

The ornamental design for a mounting clip, as shown and described.

DESCRIPTION

FIG. 1 is an isometric view of a mounting clip.
FIG. 2 is a front elevational view of the mounting clip shown in FIG. 1.
FIG. 3 is a right side elevational view of the mounting clip shown in FIG. 1.
FIG. 4 is a left side elevational view of the mounting clip shown in FIG. 1.
FIG. 5 is a top plan view of the mounting clip shown in FIG. 1; and,
FIG. 6 is a bottom plan view of the mounting clip shown in FIG. 1.

1 Claim, 3 Drawing Sheets



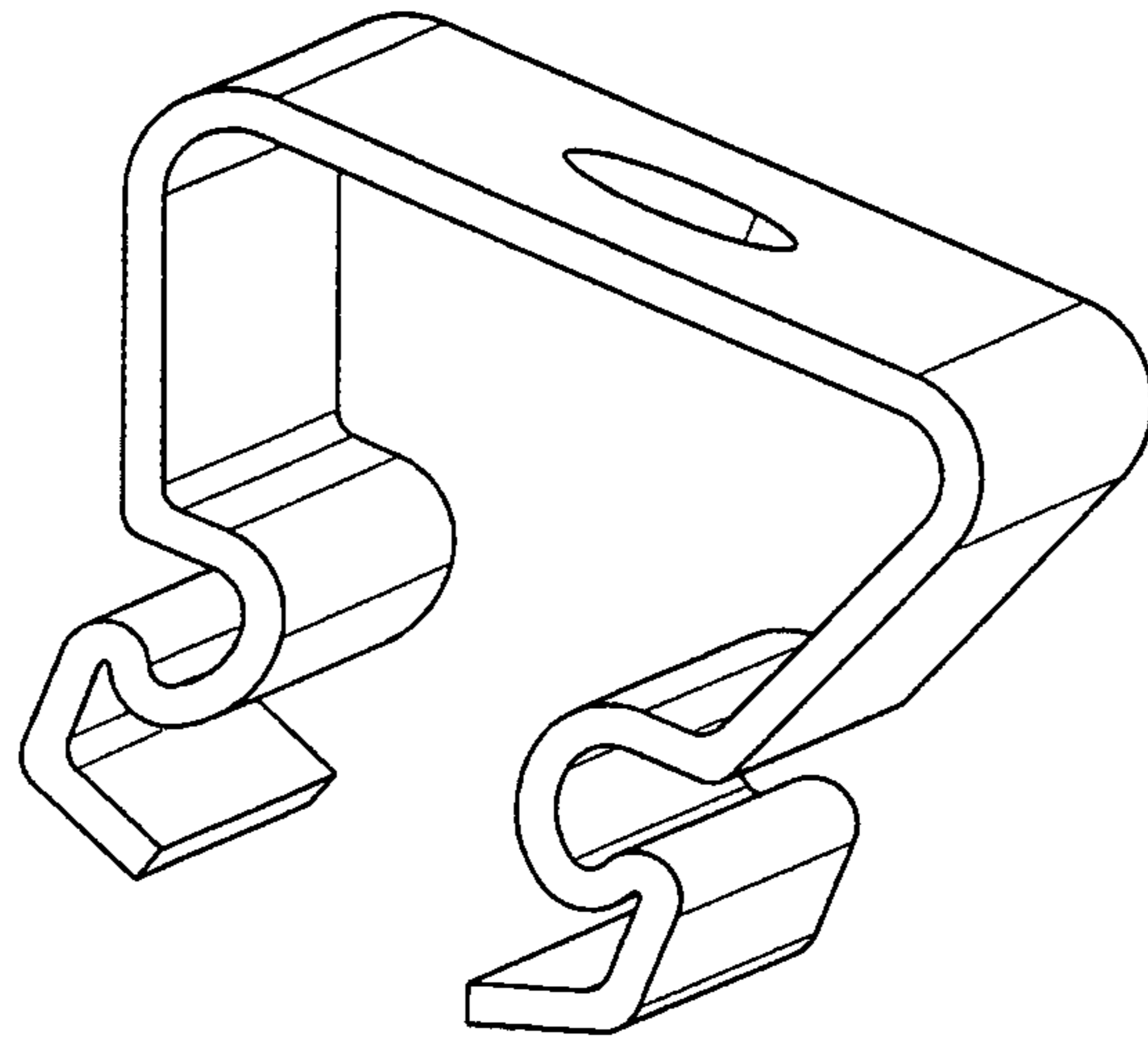


Figure 1

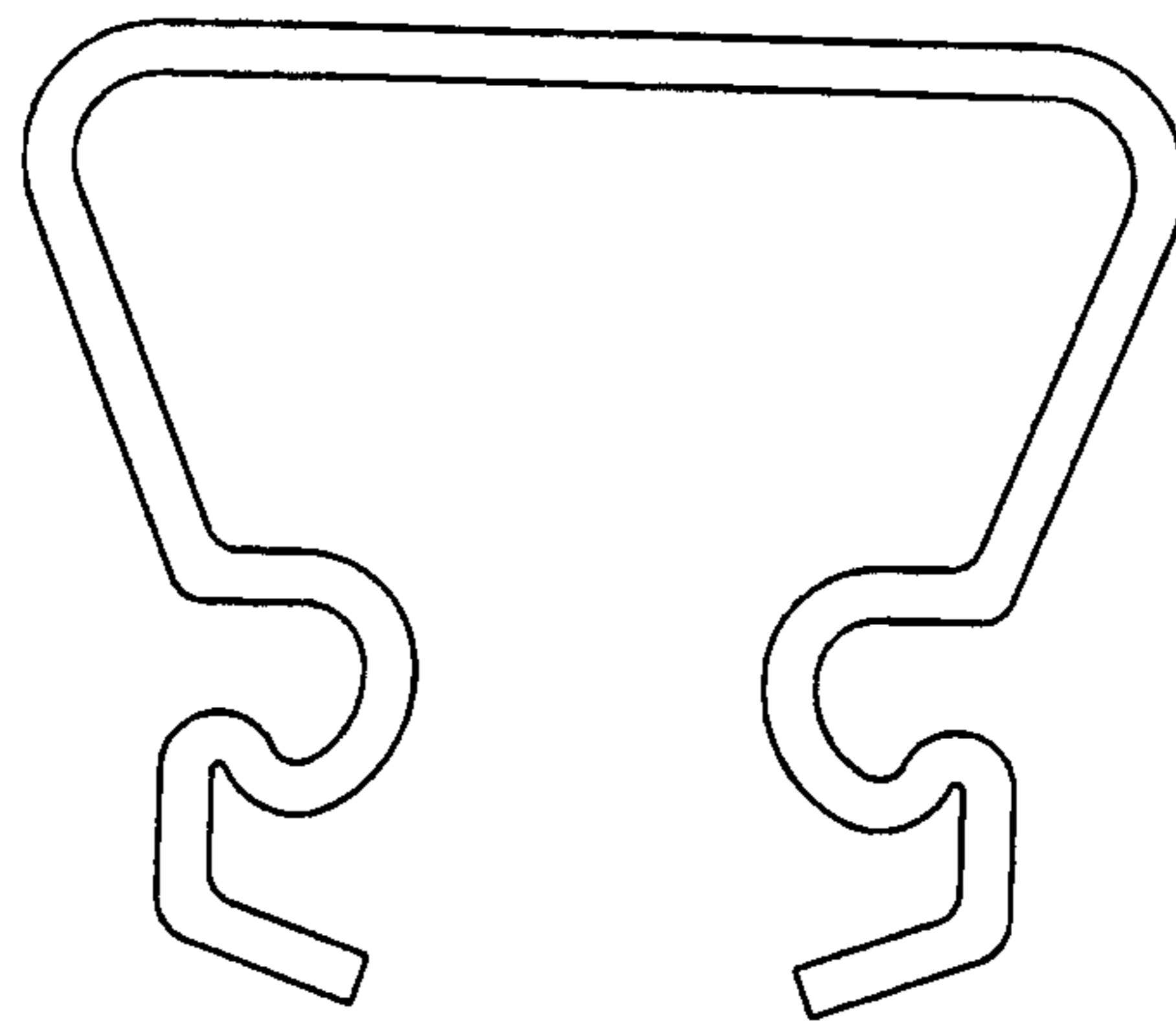


Figure 2

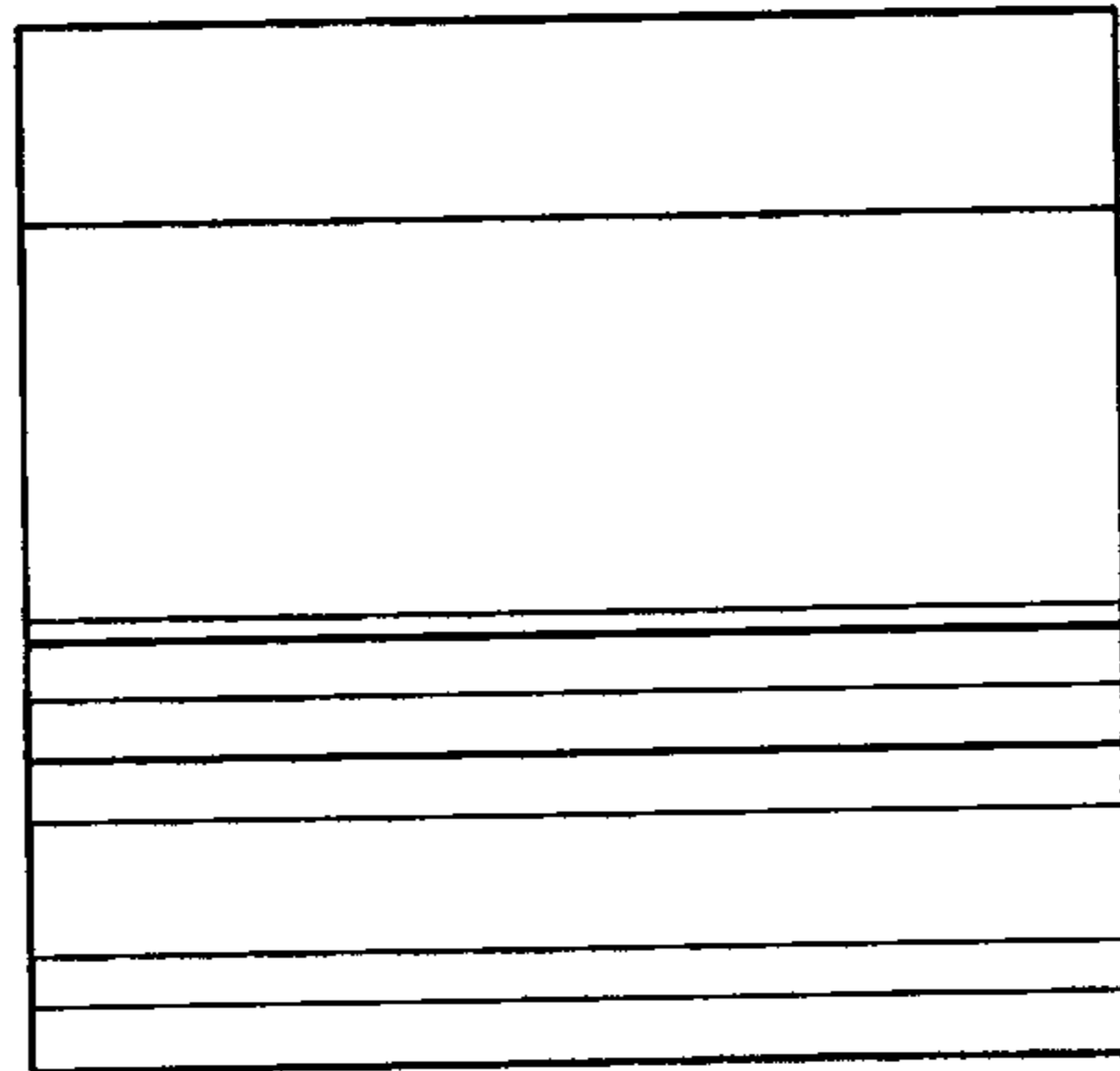


Figure 3

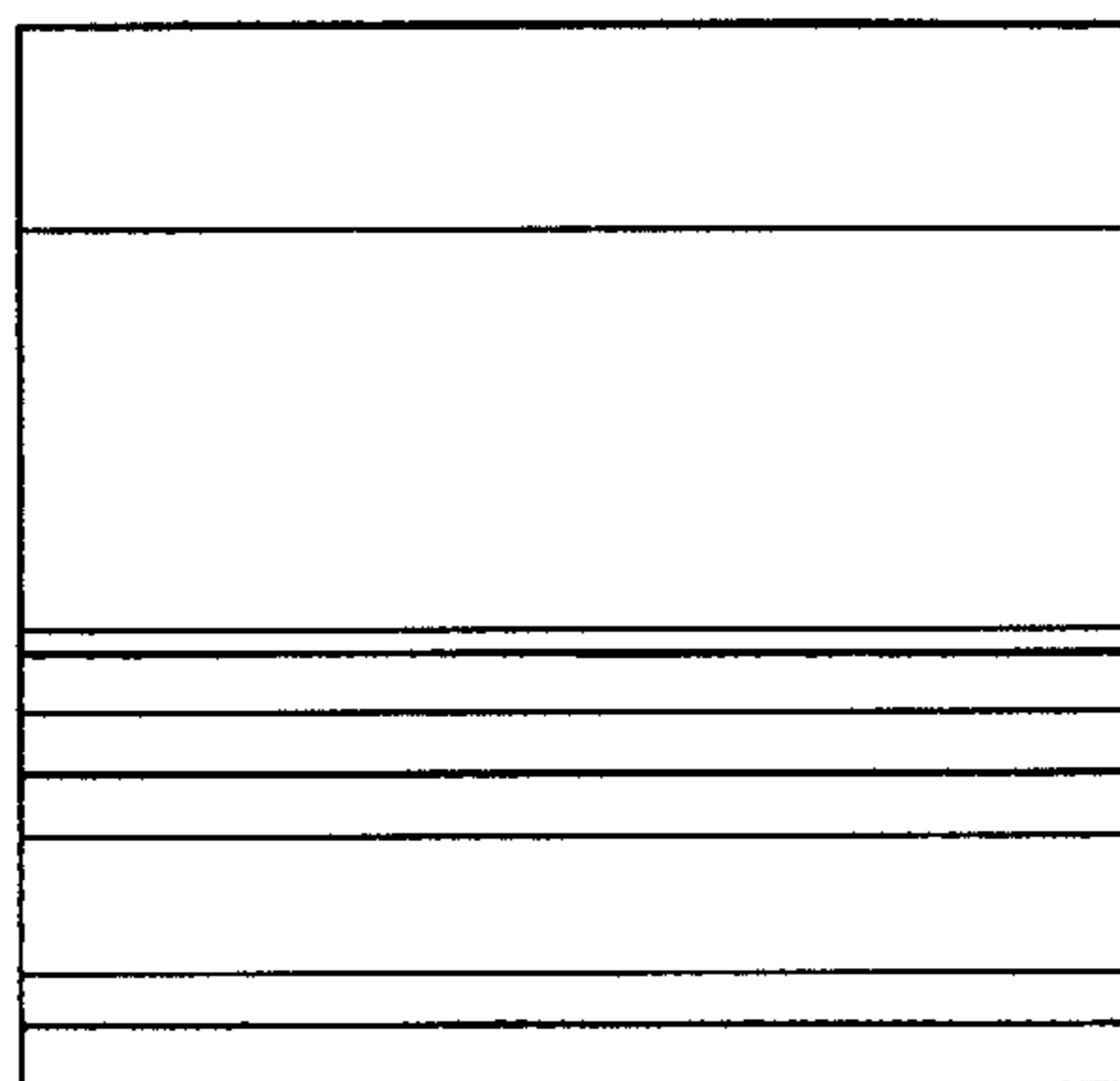


Figure 4

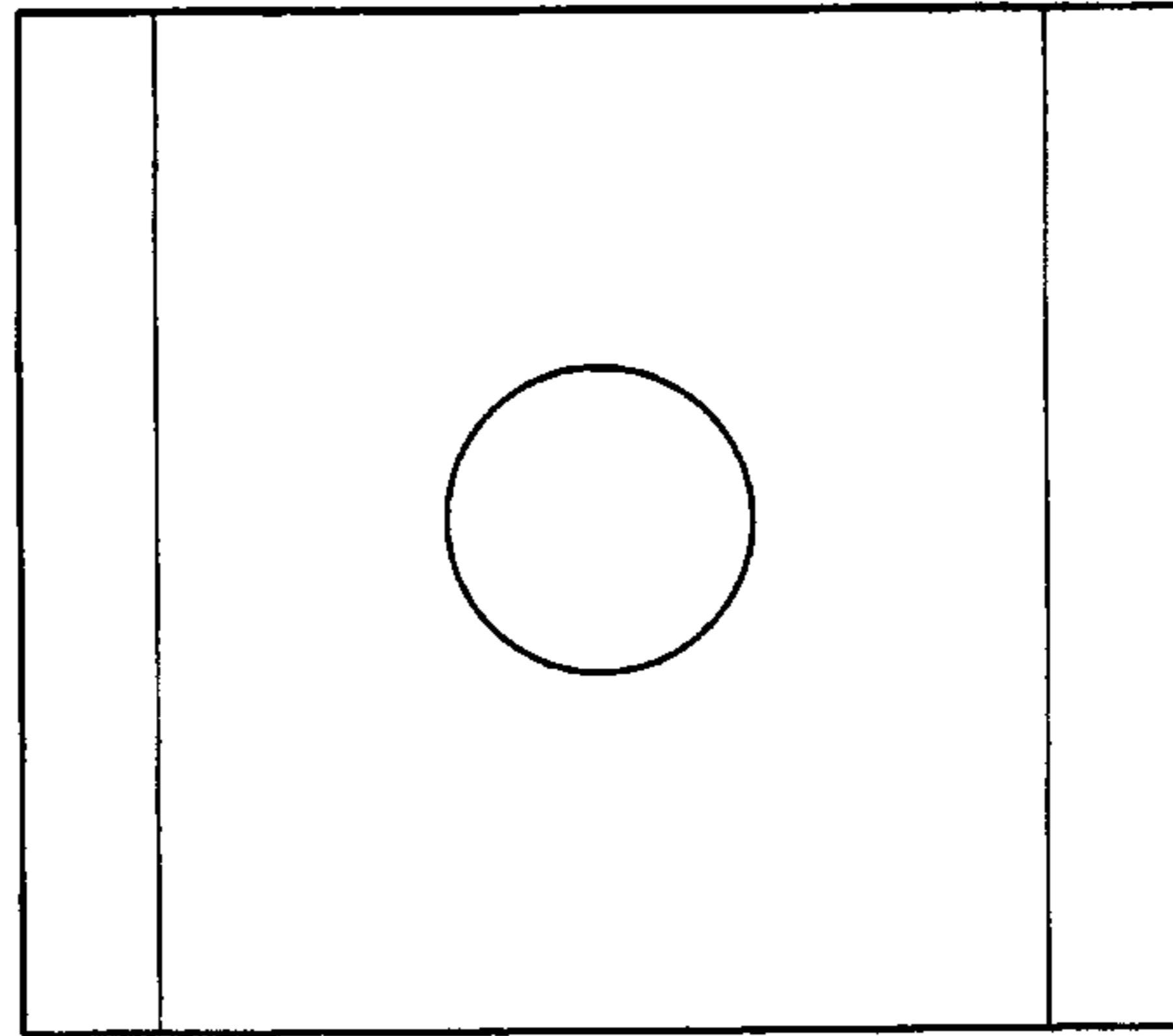


Figure 5

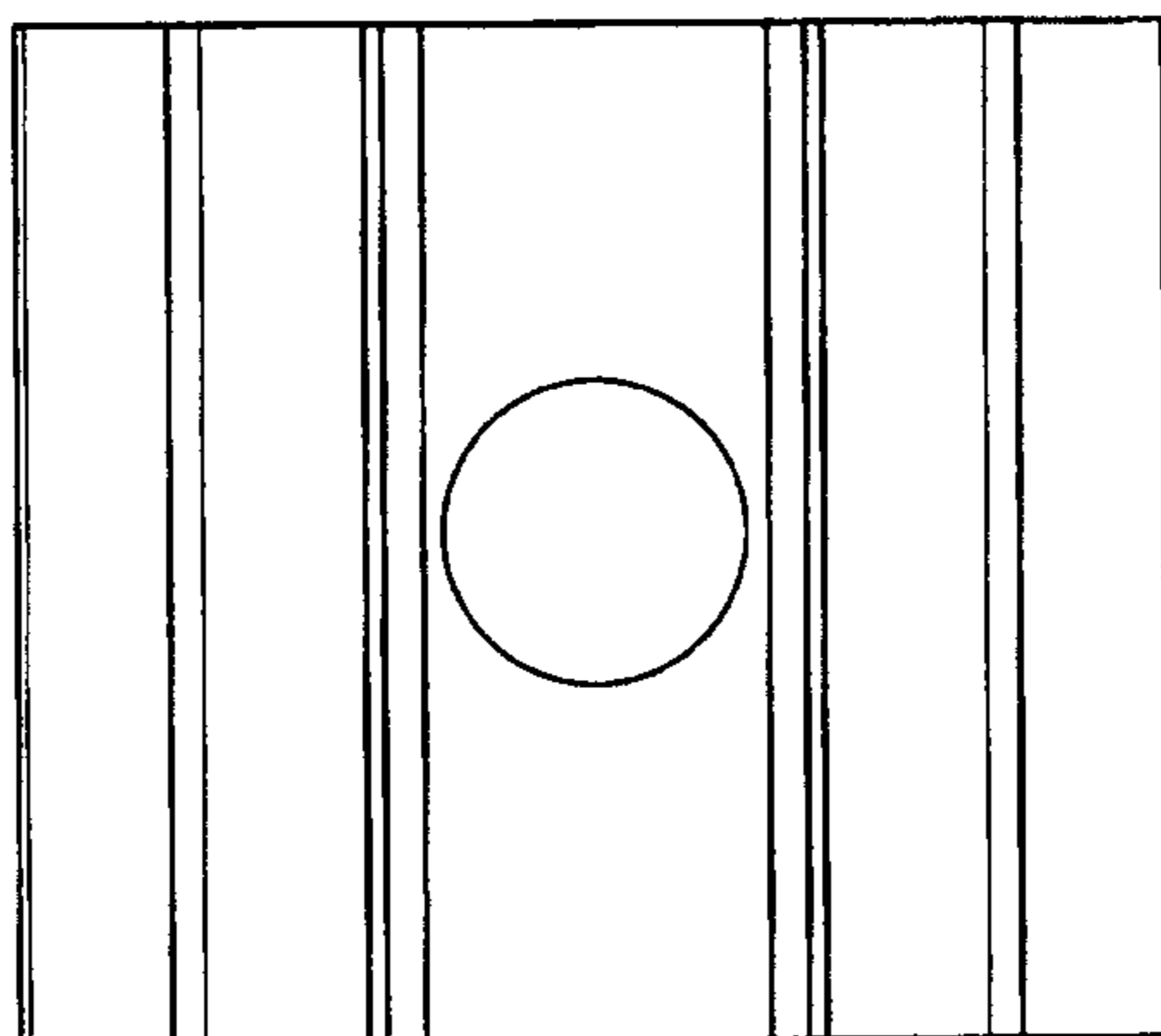


Figure 6