

US00D690582S

(12) **United States Design Patent**
Wojtowicz et al.

(10) **Patent No.:** **US D690,582 S**

(45) **Date of Patent:** **** Oct. 1, 2013**

(54) **POST COUPLER WITH SCALLOPED EDGES**

(75) Inventors: **David J. Wojtowicz**, Orland Park, IL (US); **Thomas St. Germain**, Bridgeview, IL (US); **Mitchell Liss**, Northbrook, IL (US); **Al Dunaj**, Chicago, IL (US)

(73) Assignee: **Edsal Manufacturing Co., Inc.**, Chicago, IL (US)

(**) Term: **14 Years**

(21) Appl. No.: **29/397,485**

(22) Filed: **Jul. 16, 2011**

Related U.S. Application Data

(63) Continuation-in-part of application No. 11/044,689, filed on Jan. 27, 2005.

(51) **LOC (9) Cl.** **08-08**

(52) **U.S. Cl.**
USPC **D8/394**

(58) **Field of Classification Search**
USPC D8/354, 356, 371, 394-396; D19/65, D19/86; D24/128; 248/74.2, 215, 227.1, 248/49, 300, 301, 316.7, 51, 489, 218.4; 24/570, 3.12; D32/61; D11/78.1; 403/293; 211/134; 256/65.03; D6/511
See application file for complete search history.

(56) **References Cited**

U.S. PATENT DOCUMENTS

- 1,345,954 A * 7/1920 Ramm 40/489
- 3,221,894 A * 12/1965 Knuth 211/134
- D572,054 S * 7/2008 Liss et al. D6/509
- D597,354 S * 8/2009 Liss D6/511
- D653,528 S * 2/2012 Choi et al. D8/381
- 8,210,504 B1 * 7/2012 Skornickel 256/65.01
- 2001/0025458 A1 * 10/2001 James et al. 52/90.2
- 2006/0195980 A1 * 9/2006 Nagley 4/595
- 2010/0084354 A1 * 4/2010 Eustace 211/134
- 2010/0139188 A1 * 6/2010 Callentine et al. 52/213
- 2010/0140428 A1 * 6/2010 Vassallo 248/220.21
- 2010/0155352 A1 * 6/2010 Hsieh 211/134

- 2011/0204307 A1 * 8/2011 Bowman 256/24
- 2011/0240580 A1 * 10/2011 Yu et al. 211/183
- 2011/0278250 A1 * 11/2011 Malekmadani 211/134
- 2012/0025038 A1 * 2/2012 Seelman et al. 248/125.7
- 2012/0080655 A1 * 4/2012 Coffin 256/19
- 2012/0138758 A1 * 6/2012 Graber 248/221.11

* cited by examiner

Primary Examiner — John Windmuller

(74) *Attorney, Agent, or Firm* — Wood, Herron & Evans, LLP

(57) **CLAIM**

The ornamental design for a post coupler with scalloped edges, as shown and described.

DESCRIPTION

This application is related to co-pending applications filed on even date herewith and including:

U.S. application Ser. No. 29/397,486 entitled “Design for Wrapped Post Coupler”;

U.S. application Ser. No. 29/397,490 entitled “Design for Post Coupler With Scalloped Edges”;

U.S. application Ser. No. 29/397,488 entitled “Design for Post Coupler With Keyhole Opening”;

U.S. application Ser. No. 13/184,506 entitled “Outside Wrap Post Coupler Accommodating Beam Rivet”;

U.S. application Ser. No. 13/184,509 entitled “Outside Wrap Post Coupler With Assembly Assist”;

U.S. application Ser. No. 29/397,487 entitled “Design for Post Coupler With Inside Wrap”;

U.S. application Ser. No. 29/397,489 entitled “Design for Post Coupler With Keyholes and Inside Wrap”;

U.S. application Ser. No. 13/184,507 entitled “Inside Wrap Post Coupler Accommodating Beam Rivet”;

U.S. application Ser. No. 13/184,511 entitled “Inside Wrap Post Coupler With Assembly Assist”; and

U.S. application Ser. No. 29/397,491 entitled “Design for Inner Post Coupler”.

FIG. 1 is an isometric view of a post coupler with scalloped edges and inside wrap showing a first embodiment of our new design in use;

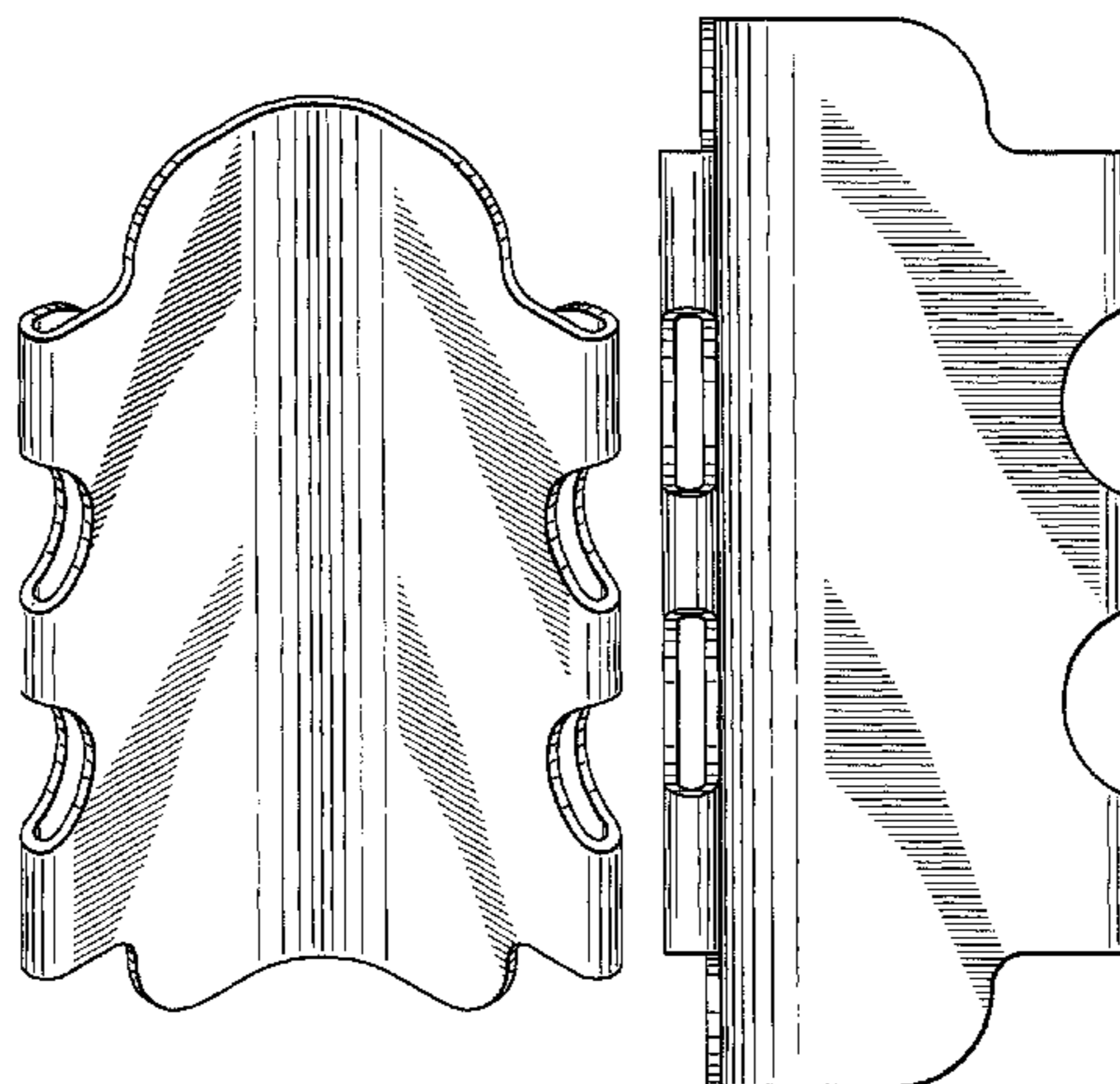


FIG. 2 is another isometric view of the post coupler with scalloped edges and inside wrap showing the first embodiment of our new design;

FIG. 3 is a front elevation view thereof;

FIG. 4 is a right side elevation view thereof;

FIG. 5 is a top plan view thereof;

FIG. 6 is a cross-sectional view thereof taken along line 6-6 in FIG. 4;

FIG. 7 is a cross-sectional view thereof taken along line 7-7 in FIG. 4;

A rear elevation view thereof is a mirror image of FIG. 3;

A left side elevation view thereof is a mirror image of FIG. 4;

A bottom plan view thereof is a mirror image of FIG. 5;

FIG. 8 is an isometric view of a post coupler with scalloped edges and inside wrap showing a second embodiment of our new design in use;

FIG. 9 is another isometric view of the post coupler with scalloped edges and inside wrap showing the second embodiment of our new design;

FIG. 10 is a front elevation view thereof;

FIG. 11 is a right side elevation view thereof;

FIG. 12 is a top plan view thereof;

FIG. 13 is a cross-sectional view thereof taken along line 13-13 in FIG. 11; and,

FIG. 14 is a cross-sectional view thereof taken along line 14-14 in FIG. 11;

A rear elevation view thereof is a mirror image of FIG. 10;

A left side elevation view thereof is a mirror image of FIG. 11; and

A bottom plan view thereof is a mirror image of FIG. 12.

The broken line showing of a post and shelves in FIG. 1 and FIG. 8 illustrates environment only and forms no part of the claimed design.

1 Claim, 6 Drawing Sheets

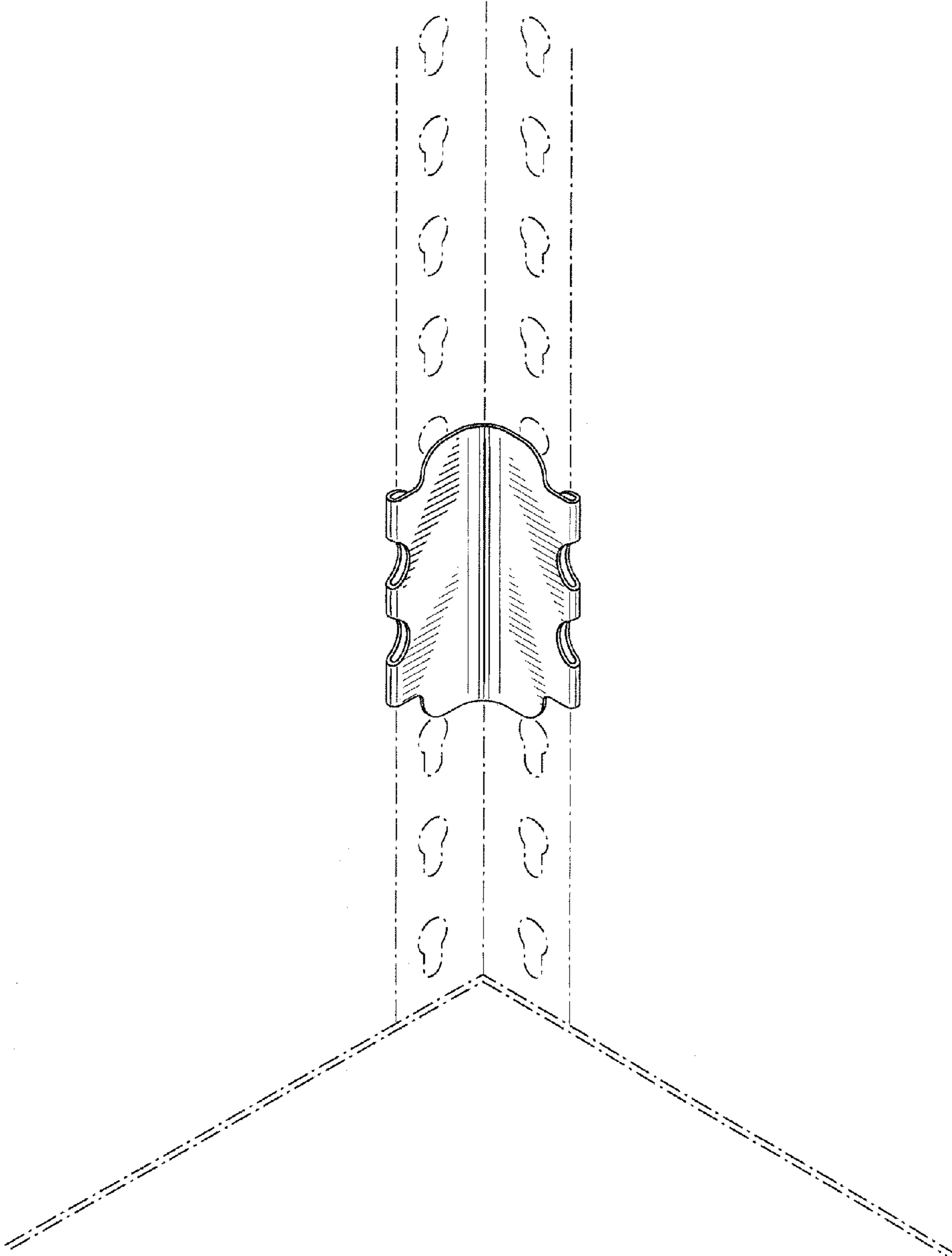


FIG. 1

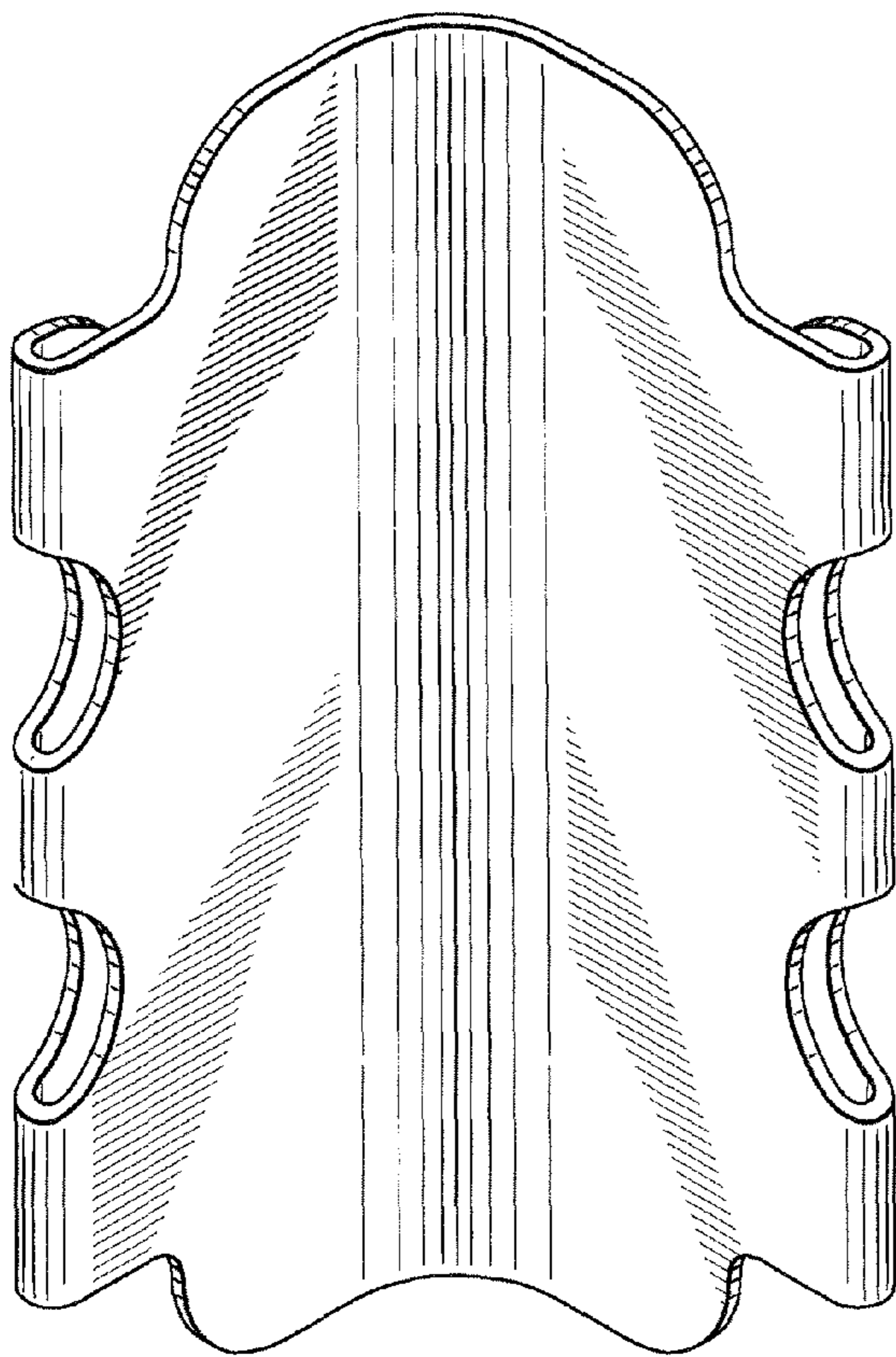


FIG. 2

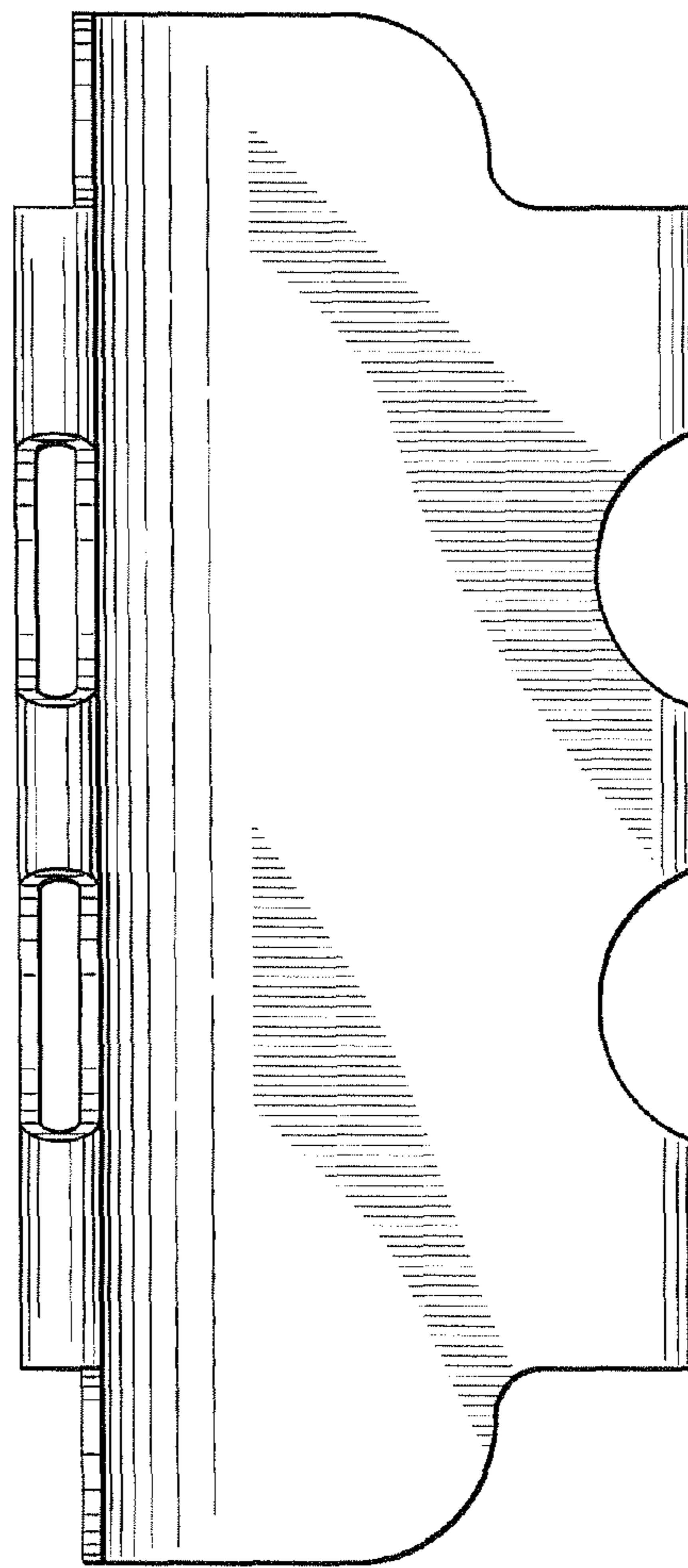


FIG. 3

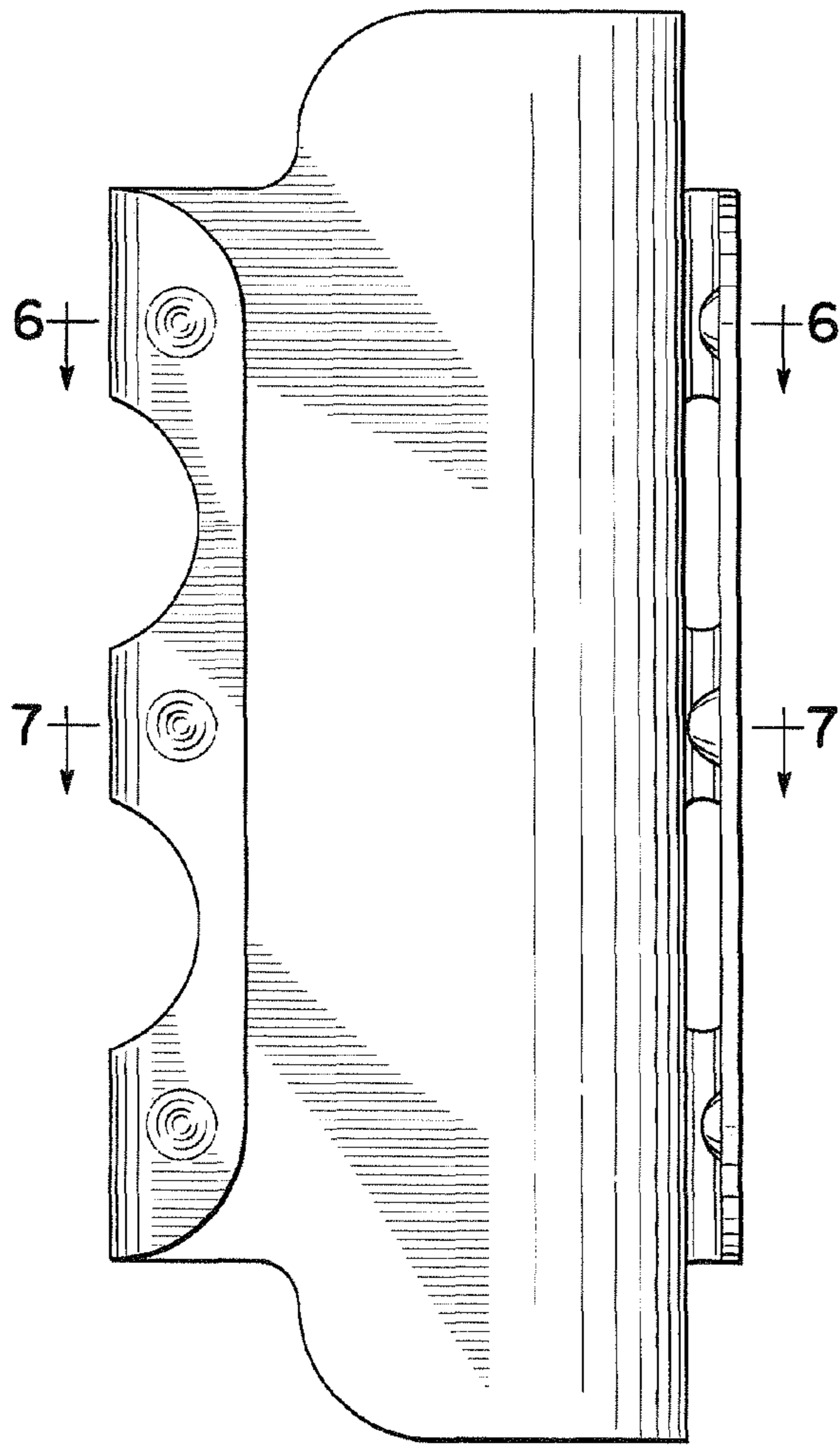


FIG. 4

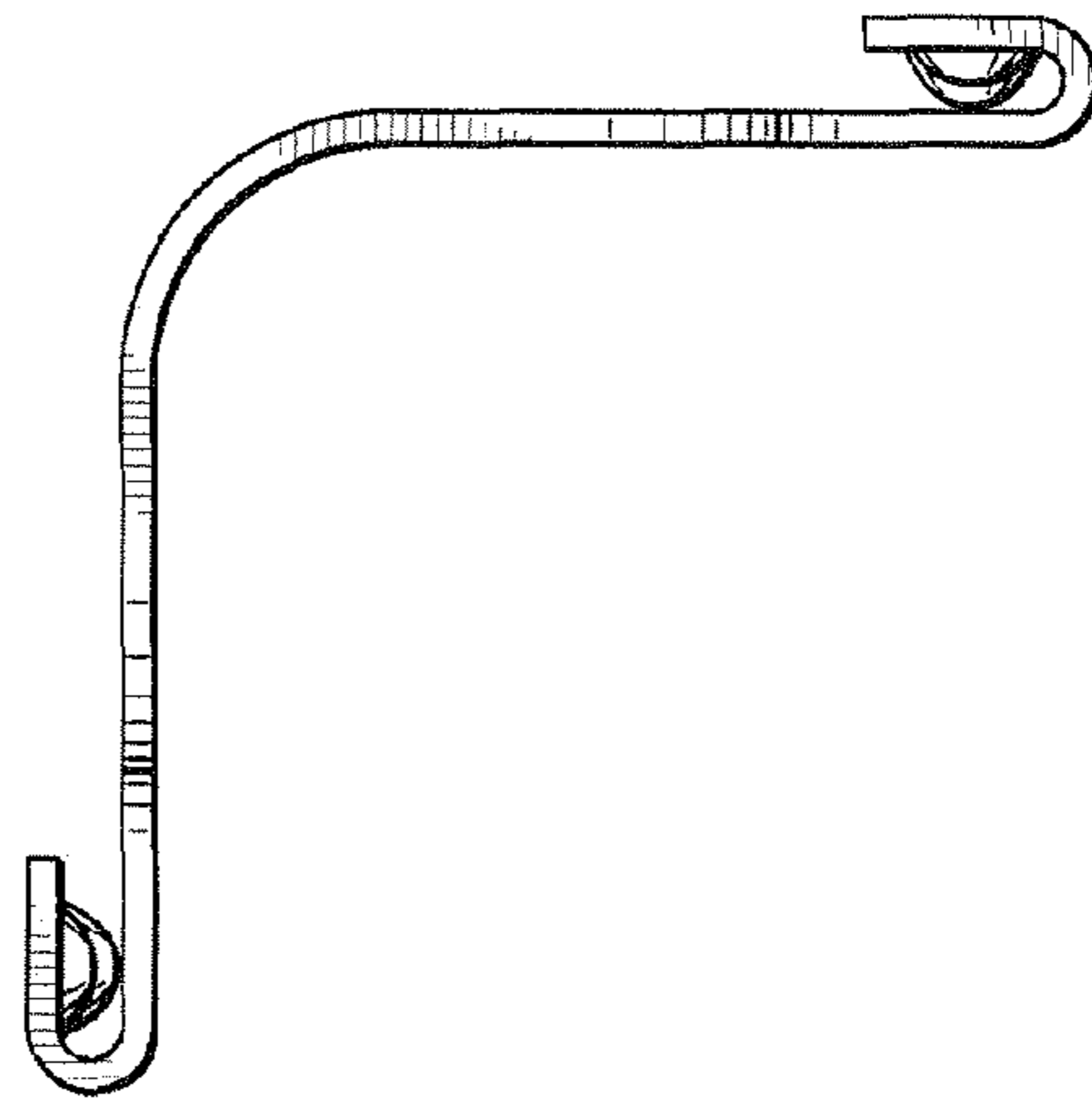


FIG. 5

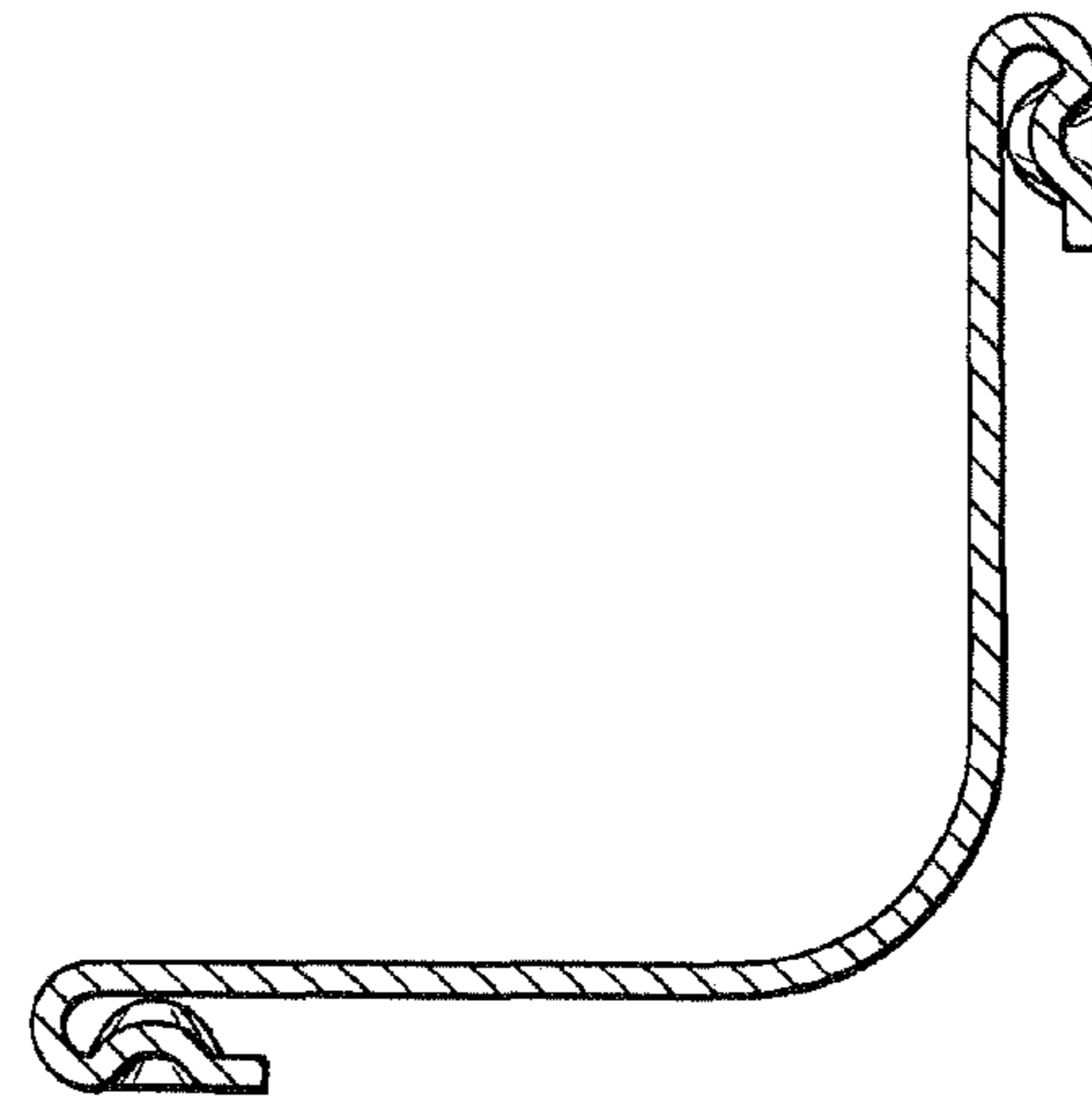


FIG. 6

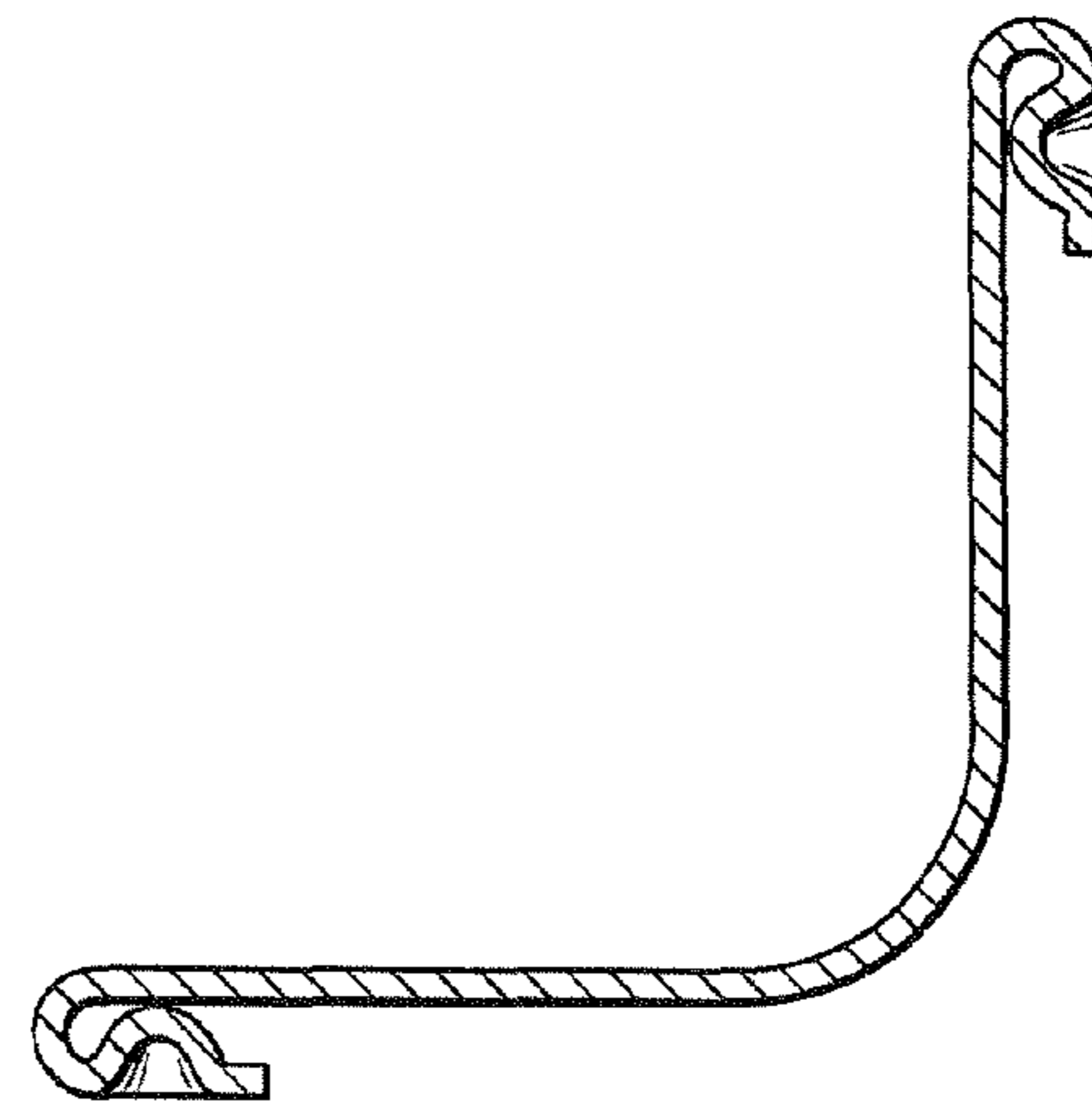


FIG. 7

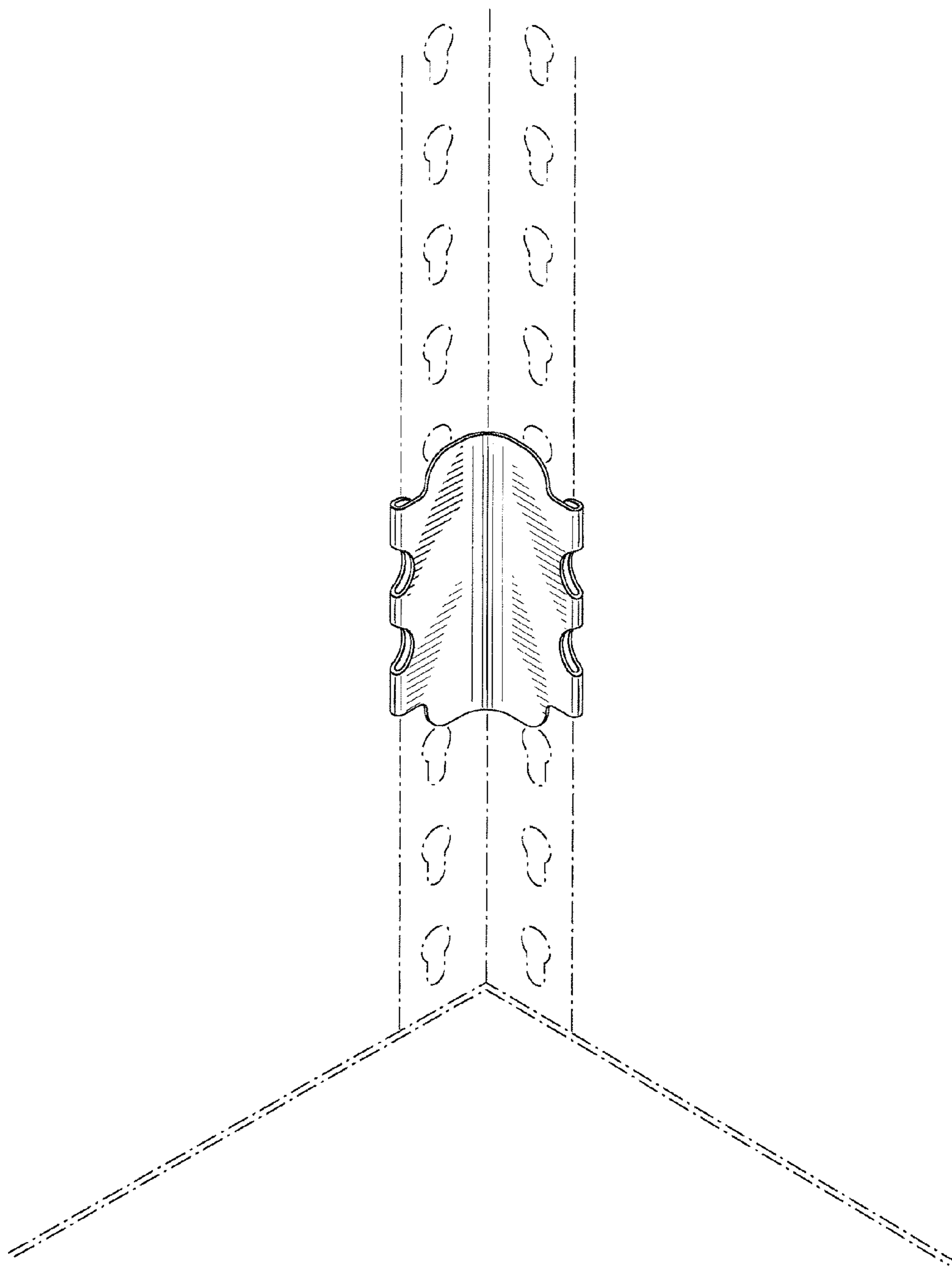


FIG. 8

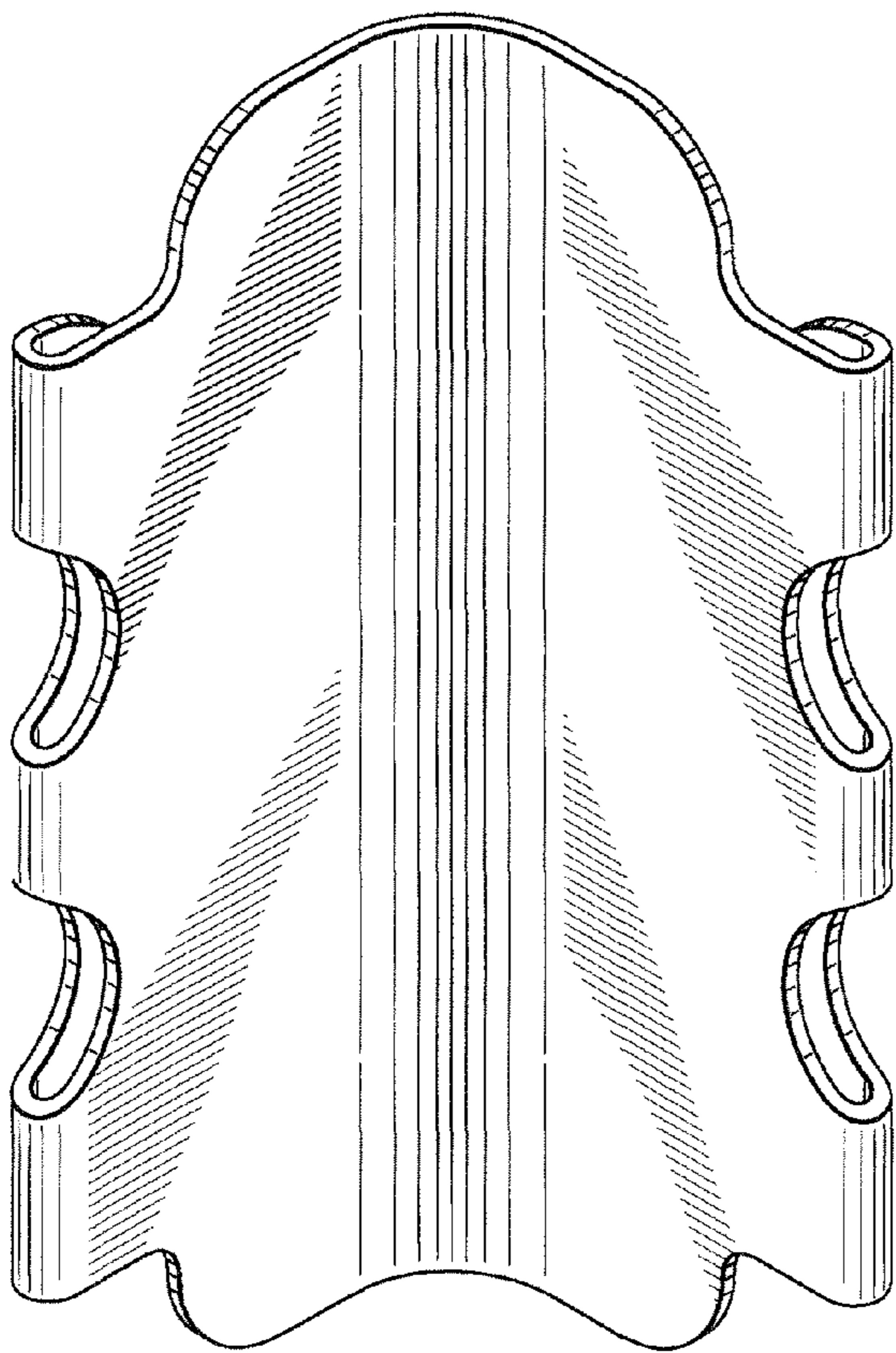


FIG. 9

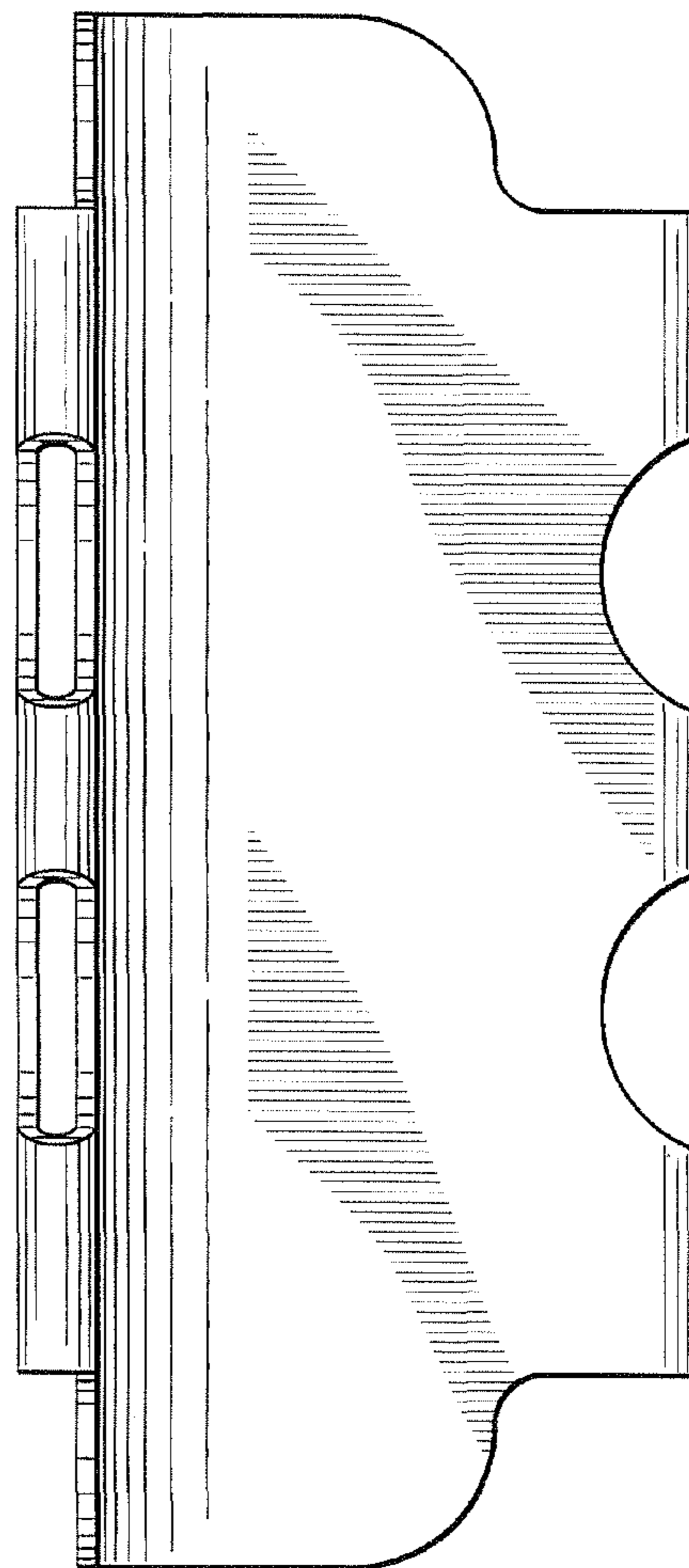


FIG. 10

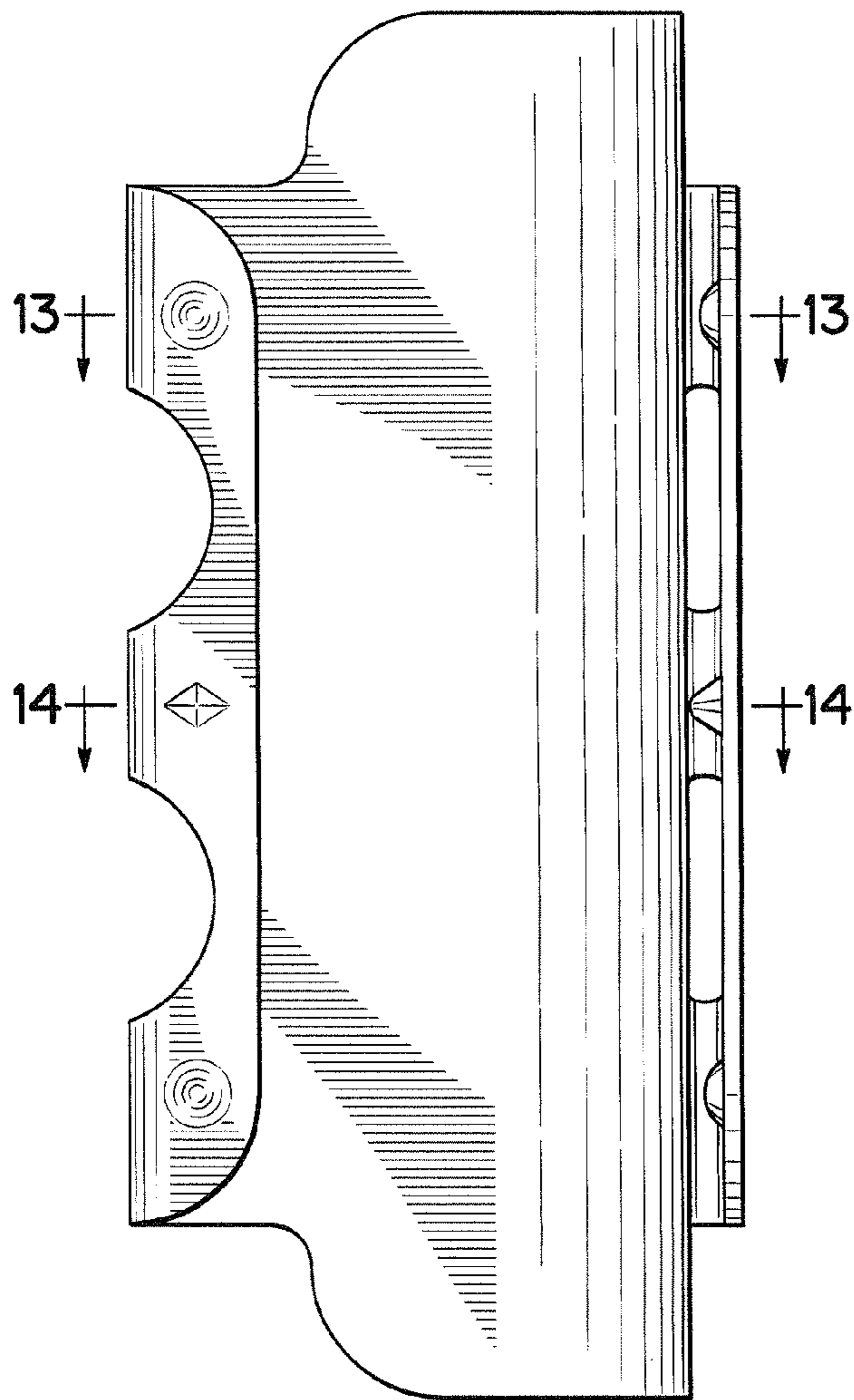


FIG. 11

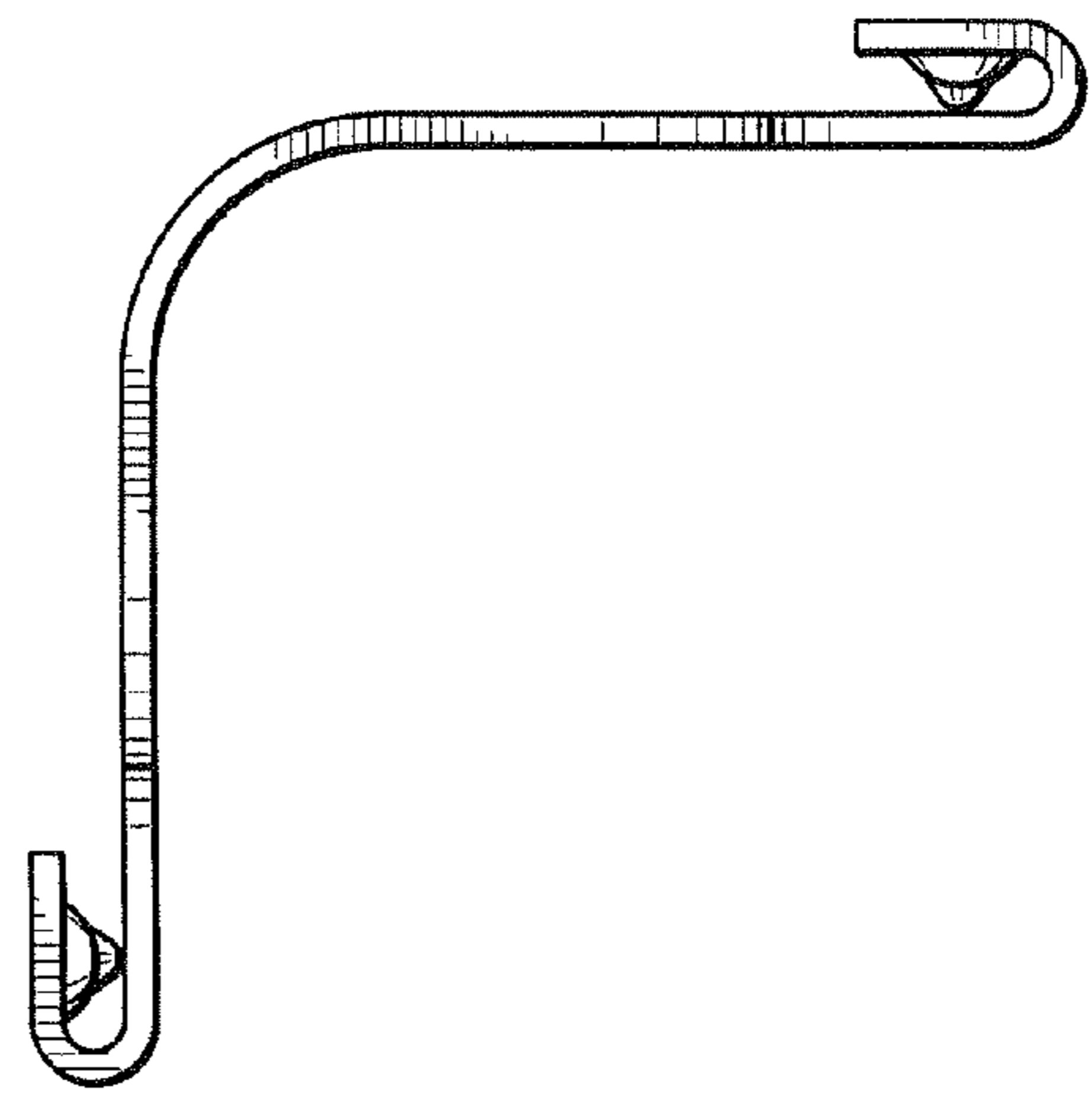


FIG. 12

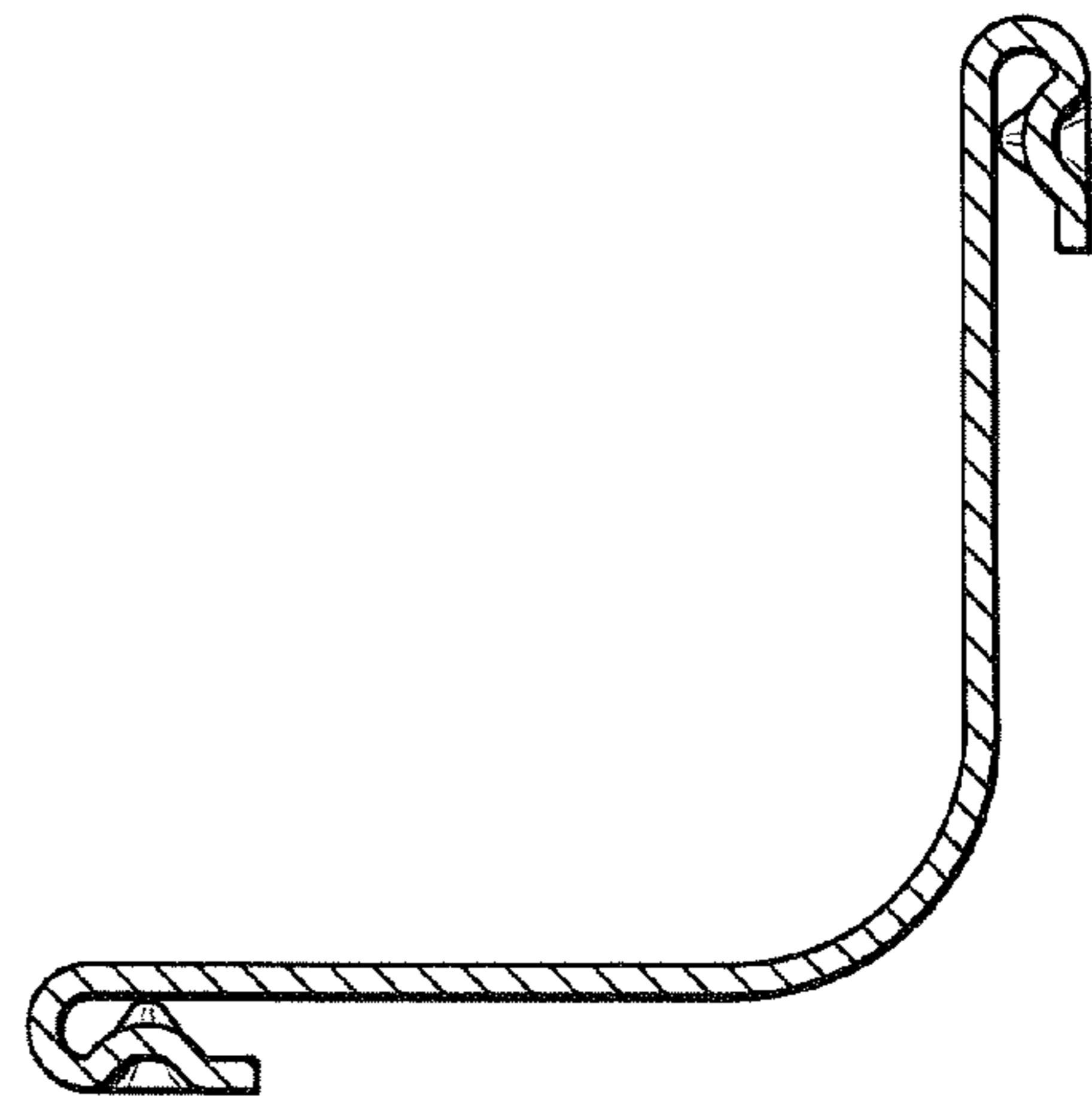


FIG. 13

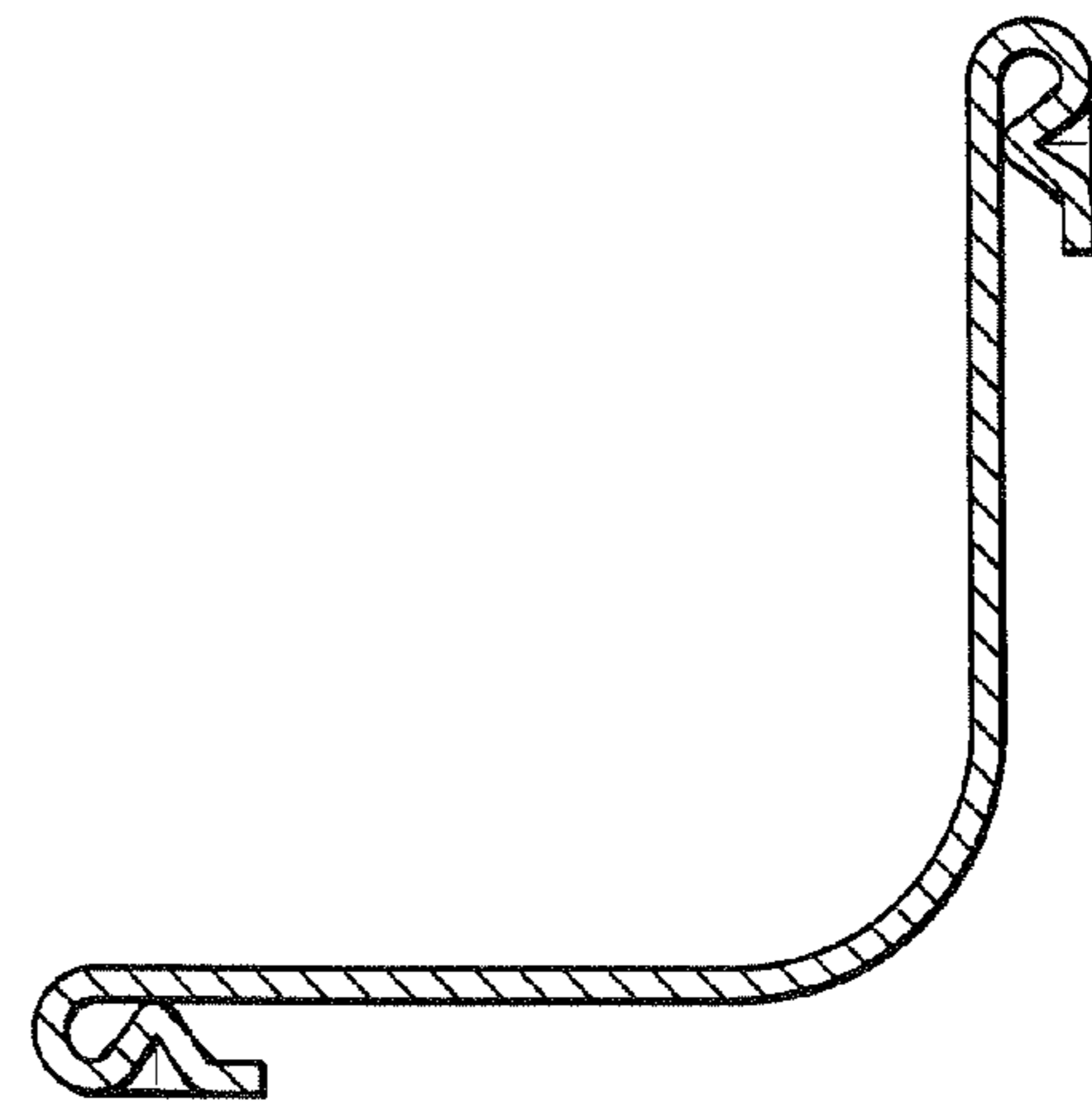


FIG. 14