



US00D690581S

(12) **United States Design Patent**
Brander

(10) **Patent No.:** **US D690,581 S**

(45) **Date of Patent:** **** Oct. 1, 2013**

- (54) **NOZZLE TRIGGER CHOCK**
- (75) Inventor: **Christopher R. Brander**, Weston, MA (US)
- (73) Assignee: **The Gas Hand, LLC**, Weston, MA (US)
- (**) Term: **14 Years**
- (21) Appl. No.: **29/397,885**
- (22) Filed: **Jul. 22, 2011**
- (51) **LOC (9) Cl.** **08-08**
- (52) **U.S. Cl.**
USPC **D8/349**
- (58) **Field of Classification Search**
USPC D8/349, 354, 373, 380; D13/183;
74/526; 141/390, 391, 392; 218/351, 352;
251/90, 115, 111
See application file for complete search history.

| | | | | |
|----------------|--------|---------------|-------|---------|
| D326,462 S * | 5/1992 | Cooper | | D15/9.1 |
| 5,118,074 A * | 6/1992 | Weissman | | 251/90 |
| D333,605 S * | 3/1993 | Powell, Jr. | | D8/349 |
| D337,716 S * | 7/1993 | Weissman | | D8/349 |
| D345,687 S * | 4/1994 | Bagnes et al. | | D8/349 |
| D357,399 S * | 4/1995 | Miller | | D8/354 |
| D369,091 S * | 4/1996 | Cooper | | D8/349 |
| D370,170 S * | 5/1996 | Lambourne | | D8/349 |
| 5,517,732 A * | 5/1996 | Crear | | 24/299 |
| 5,752,554 A * | 5/1998 | Campbell | | 141/392 |
| 6,273,157 B1 * | 8/2001 | Molnar | | 141/392 |
| D495,239 S * | 8/2004 | Neal, III | | D8/349 |
| D570,198 S * | 6/2008 | Mamula | | D8/354 |
| D619,444 S * | 7/2010 | Oyegoke | | D8/349 |

* cited by examiner

Primary Examiner — Mark Goodwin

(74) *Attorney, Agent, or Firm* — Cesari and McKenna, LLP; Michael R. Reinemann

(57) **CLAIM**

I claim the ornamental design of a nozzle trigger chock, as shown and described.

DESCRIPTION

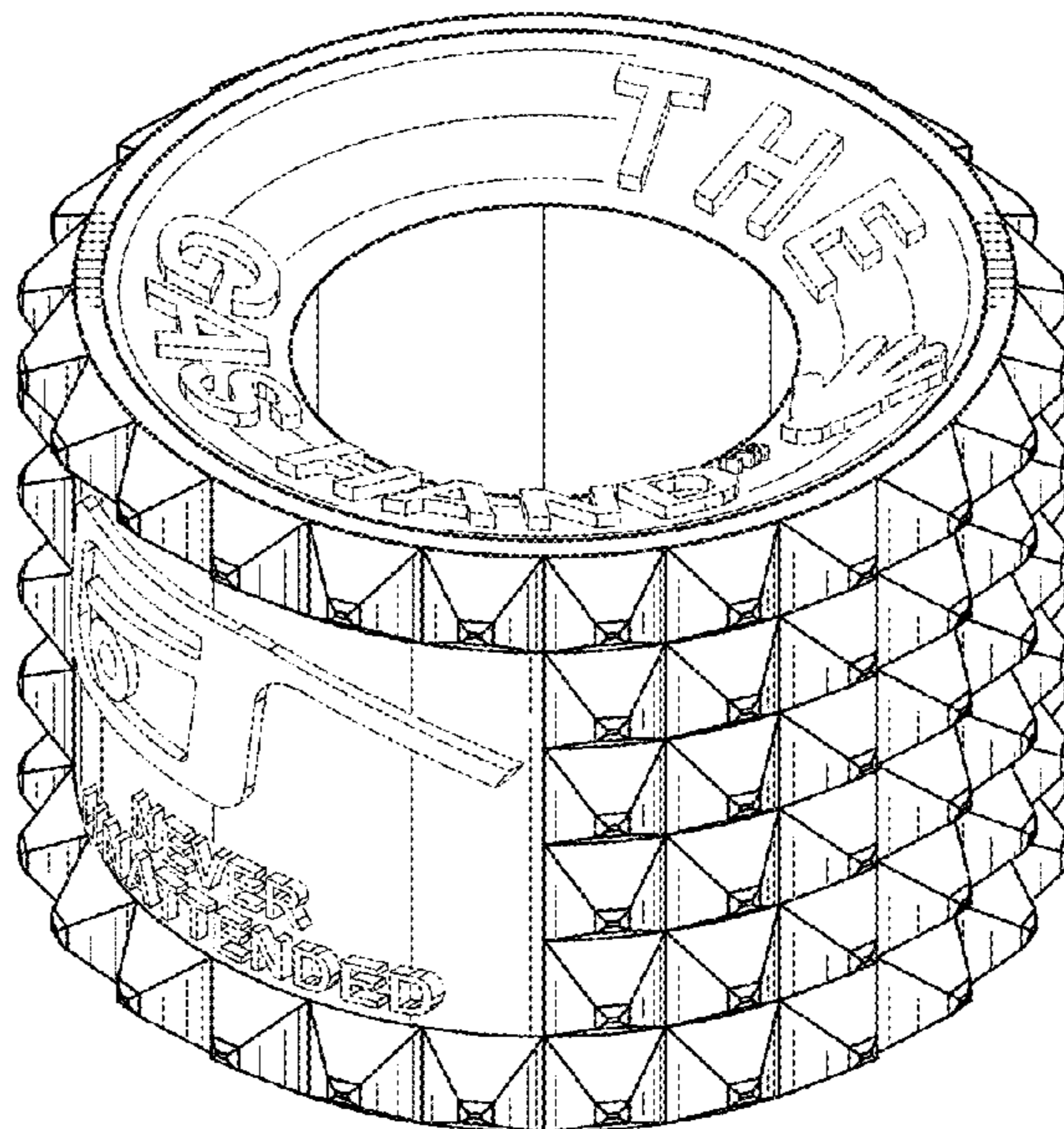
FIG. 1 is a front view of a nozzle trigger chock showing the new design;
 FIG. 2 is a rear view thereof;
 FIG. 3 is a top view thereof;
 FIG. 4 is a bottom view thereof;
 FIG. 5 is a left side view thereof, the right side being a mirror image thereof;
 FIG. 6 is a perspective view thereof; and,
 FIG. 7 is a sectional view taken along line 7-7 of FIG. 2.
 The broken line showing of various surface features is included for the purpose of illustrating portions of the nozzle trigger chock and forms no part of the claimed design.

1 Claim, 3 Drawing Sheets

(56) **References Cited**

U.S. PATENT DOCUMENTS

| | | | | |
|---------------|---------|----------------|-------|---------|
| D254,050 S * | 1/1980 | Fitzgerald | | D8/349 |
| D258,114 S * | 2/1981 | Maynor, Jr. | | D8/349 |
| 4,275,776 A * | 6/1981 | Rehkopf | | 141/392 |
| 4,278,116 A * | 7/1981 | Opp | | 141/392 |
| 4,337,917 A * | 7/1982 | Tesack et al. | | 251/90 |
| 4,408,791 A * | 10/1983 | Griffin et al. | | 294/92 |
| D272,231 S * | 1/1984 | Black, Jr. | | D8/349 |
| D282,048 S * | 1/1986 | Scanlon | | D8/349 |
| D288,170 S * | 2/1987 | Foster | | D8/349 |
| 4,683,923 A * | 8/1987 | Harris | | 141/392 |
| 4,690,182 A * | 9/1987 | Knaus | | 141/392 |
| D297,110 S * | 8/1988 | Zagorski | | D8/349 |
| D298,212 S * | 10/1988 | Gross | | D8/349 |
| D298,213 S * | 10/1988 | Iati | | D8/354 |
| D299,112 S * | 12/1988 | Downey | | D8/354 |
| D301,973 S * | 7/1989 | Parella | | D8/349 |



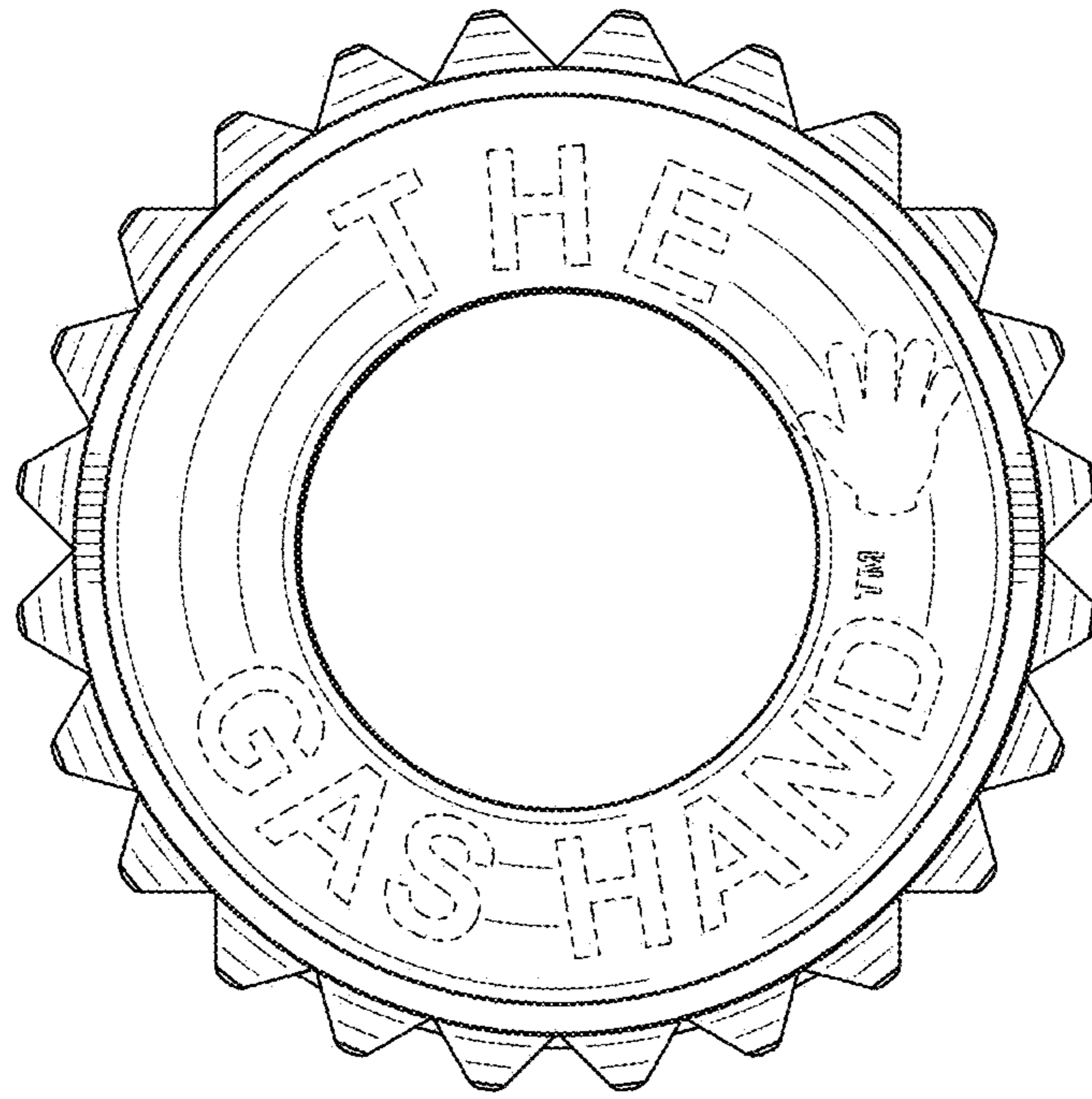


FIG. 1

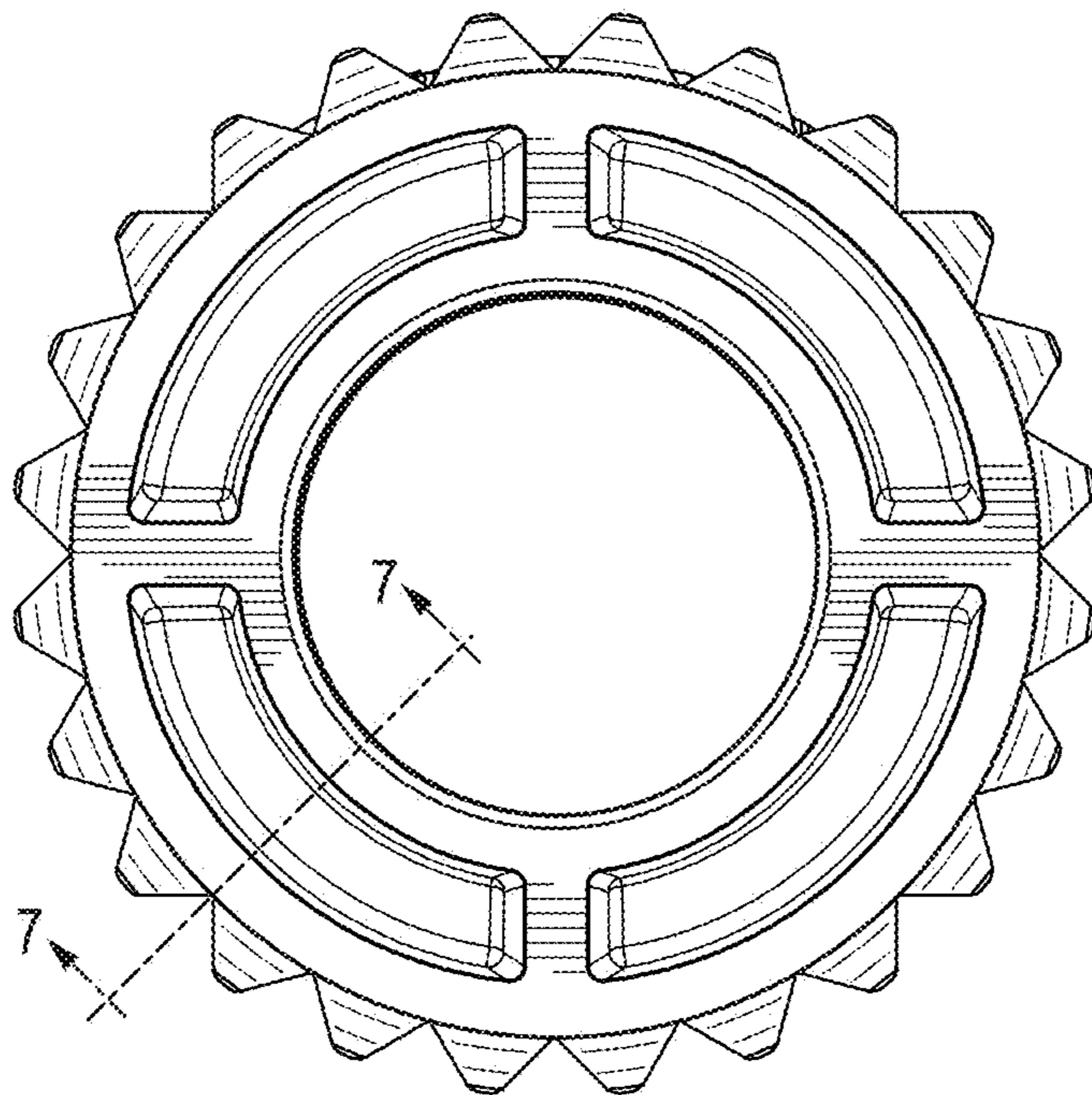


FIG. 2

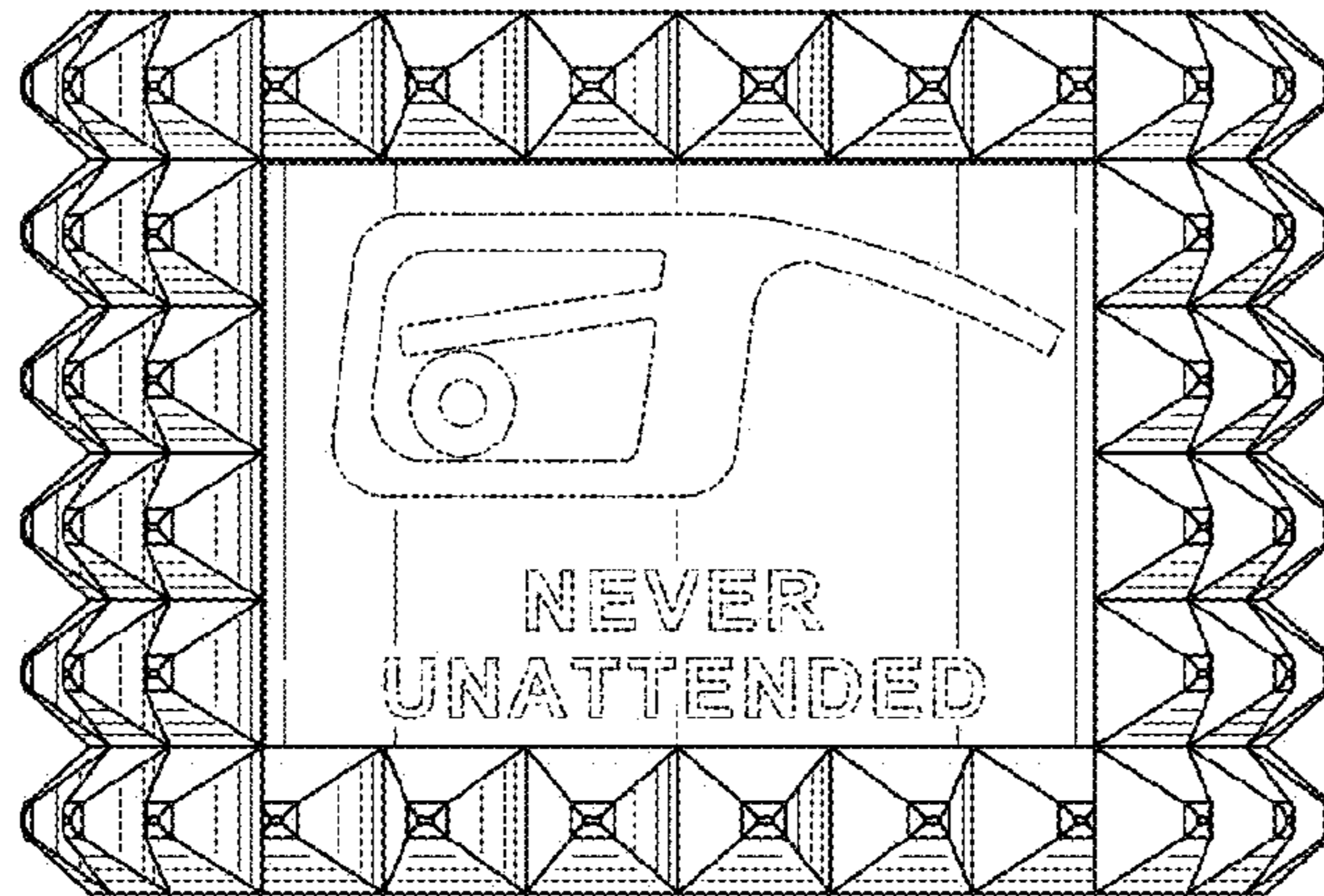


FIG. 3

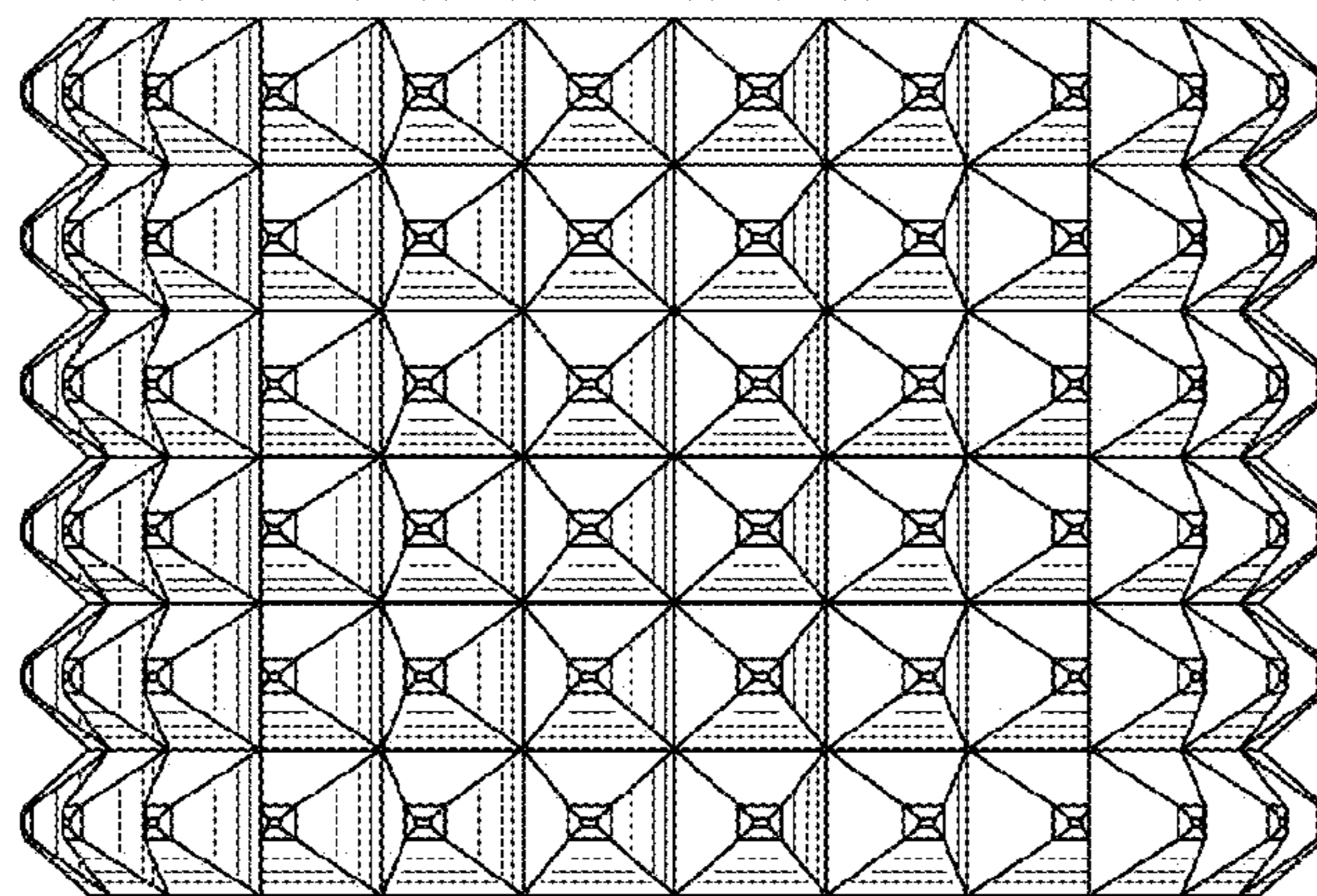


FIG. 4

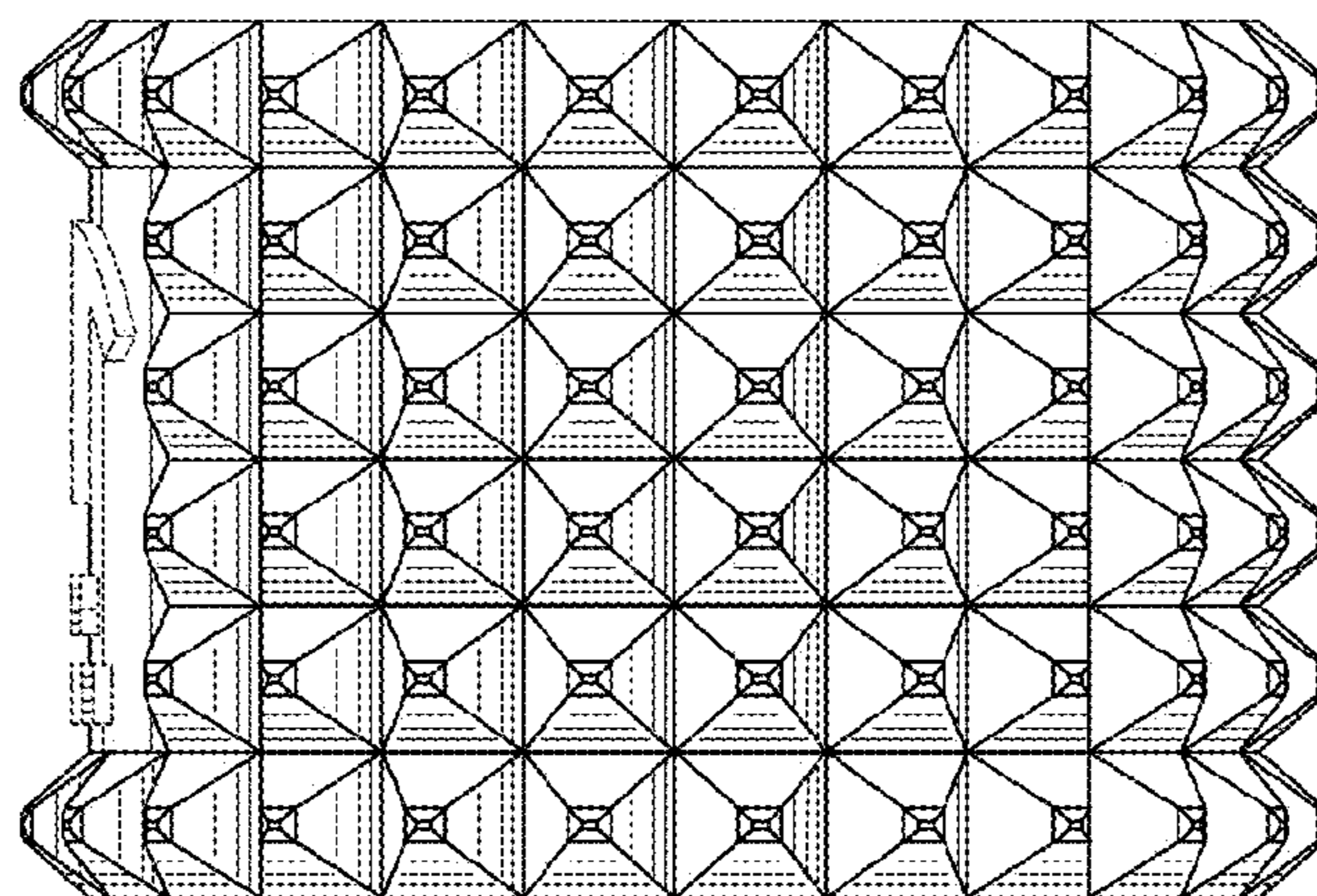


FIG. 5

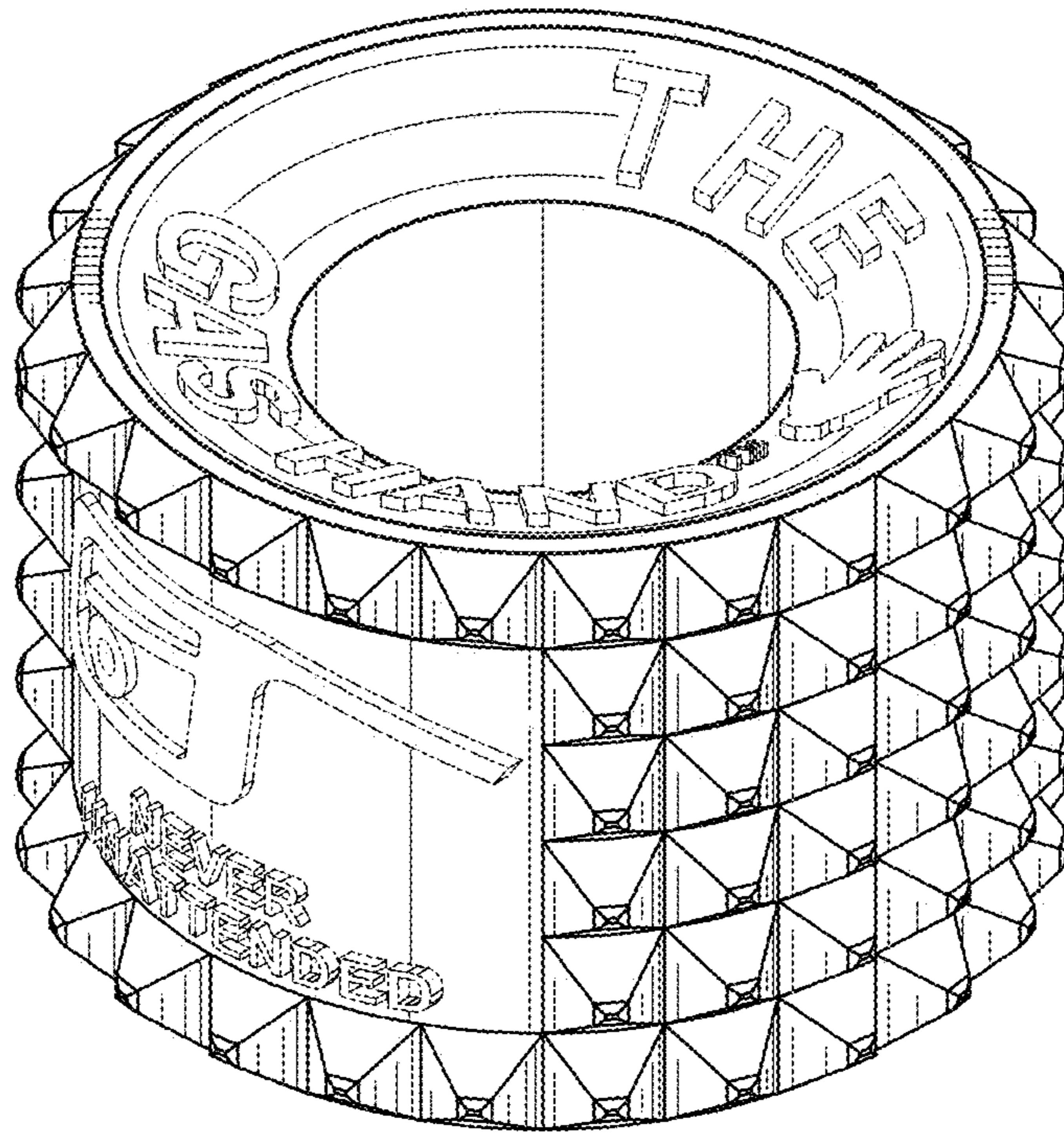


FIG. 6

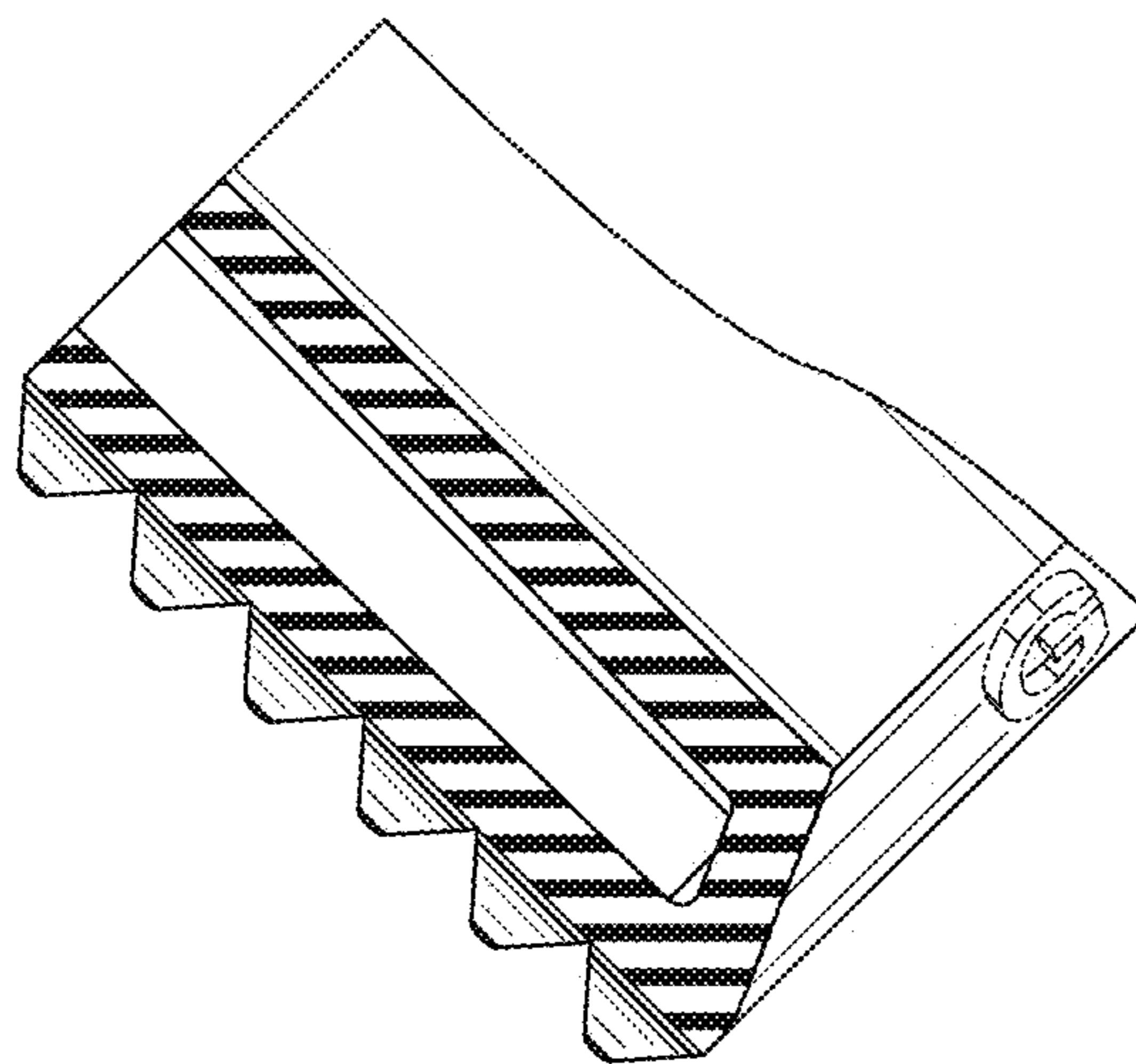


FIG. 7