

US00D690580S

(12) **United States Design Patent**
Wang

(10) **Patent No.:** **US D690,580 S**

(45) **Date of Patent:** **** Oct. 1, 2013**

(54) **LOCK**

(75) Inventor: **Chia-Hung Wang**, Chung-Ho (TW)

(73) Assignee: **Sinox Company Limited**, New Taipei (TW)

(**) Term: **14 Years**

(21) Appl. No.: **29/422,555**

(22) Filed: **May 22, 2012**

(51) **LOC (9) Cl.** **08-07**

(52) **U.S. Cl.**
USPC **D8/343**; D8/331

(58) **Field of Classification Search**
USPC D8/330, 331, 334, 333, 335, 339;
70/20, 24-29, 31, 35, 38 R, 40-48, 14
See application file for complete search history.

(56) **References Cited**

U.S. PATENT DOCUMENTS

D99,554 S *	5/1936	Sleymaker	D8/334
D143,246 S *	12/1945	Soref	D8/334
3,750,431 A	8/1973	Atkinson		
3,841,118 A	10/1974	Stone		
3,952,559 A	4/1976	Atkinson		
5,572,890 A	11/1996	Carpenter		
D388,687 S	1/1998	Chen		
D393,544 S	4/1998	Ling		
D436,015 S	1/2001	Yu		
6,192,720 B1	2/2001	Kan		
6,227,016 B1	5/2001	Yu		
D450,560 S	11/2001	Yu		
D457,802 S	5/2002	Meekma et al.		
6,389,854 B1	5/2002	Huang		
6,434,981 B2 *	8/2002	Fantl et al.	70/25

D469,332 S	1/2003	Meekma et al.		
6,530,248 B1	3/2003	Parker		
D481,925 S	11/2003	Ling		
D486,721 S	2/2004	Ling		
6,718,803 B2	4/2004	Knol		
6,877,345 B1	4/2005	Misner et al.		
6,880,370 B2 *	4/2005	Yu	70/25
D515,908 S *	2/2006	Kearns et al.	D8/334
6,993,943 B1 *	2/2006	Chang	70/38 B

(Continued)

OTHER PUBLICATIONS

Fullyear-Brother Enterprise Co., Ltd.: Product Information Sheet for TSA Lock; 2011; <http://www.fullyear.com/newproduct/asp>; 2 pages.

(Continued)

Primary Examiner — Prabhakar Deshmukh

(74) *Attorney, Agent, or Firm* — Calfee, Halter & Griswold LLP

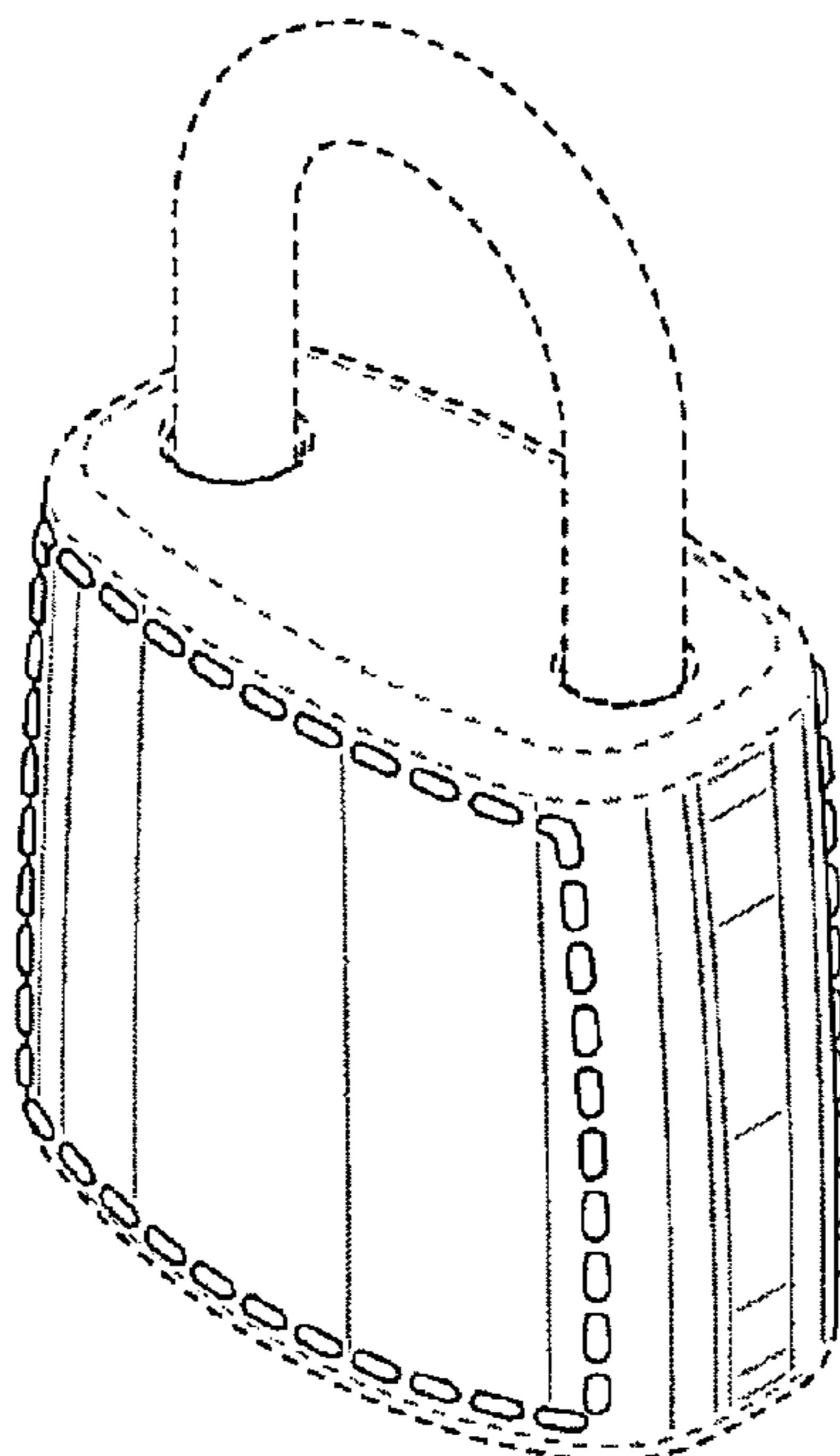
(57) **CLAIM**

I claim the ornamental design for a lock, as shown and described.

DESCRIPTION

FIG. 1 is a front perspective view of a lock of the new design; FIG. 2 is a front elevational view of the lock of FIG. 1; FIG. 3 is a rear elevational view of the lock of FIG. 1; FIG. 4 is a right side elevational view of the lock of FIG. 1; FIG. 5 is a left side elevational view of the lock of FIG. 1; FIG. 6 is a top plan view of the lock of FIG. 1; and, FIG. 7 is a bottom plan view of the lock of FIG. 1. The portions of the Figures shown in broken lines are for illustrative purpose only and form no part of the claimed design.

1 Claim, 6 Drawing Sheets



(56)

References Cited

U.S. PATENT DOCUMENTS

D535,177	S	1/2007	Hsieh	
7,155,944	B1 *	1/2007	Lin	70/21
D540,149	S	4/2007	Tollefson	
D548,043	S	8/2007	Yang	
D557,106	S	12/2007	Kuwayama	
D575,626	S	8/2008	Basche et al.	
7,424,812	B2	9/2008	Loughlin et al.	
7,426,841	B2	9/2008	Yang	
D582,753	S	12/2008	Basche et al.	
D590,695	S	4/2009	Wu	
D630,260	S	1/2011	Cole et al.	
D637,888	S *	5/2011	Zheng	D8/334
8,047,027	B2	11/2011	Loughlin et al.	
D658,969	S	5/2012	Cooper	
D662,394	S	6/2012	Schmidt et al.	
D668,929	S *	10/2012	Schmidt et al.	D8/334
D674,266	S	1/2013	Misner et al.	
D678,751	S *	3/2013	Schmidt et al.	D8/334

OTHER PUBLICATIONS

Fullyear-Brother Enterprise Co., Ltd.: Product Information Sheet for TSA Indicator Lock; 2011; <http://www.fullyear.com/Product.asp?SID=108>; 1 page.

Fullyear-Brother Enterprise Co., Ltd.: Product Information Sheet for TSA Pad Lock; 2011; <http://www.fullyear.com/Product.asp?SID=18>; 1 page.

Fullyear-Brother Enterprise Co., Ltd.: Product Information Sheet for TSA ID Tag Lock; 2011; <http://www.fullyear.com/Product.asp?SID=109>; 1 page.

Fullyear-Brother Enterprise Co., Ltd.: Product Information Sheet for TSA Cable Lock; 2011; <http://www.fullyear.com/Product.asp?SID=15>; 1 page.

Fullyear-Brother Enterprise Co., Ltd.: Product Information Sheet for TSA Key Lock; 2011; <http://www.fullyear.com/Product.asp?SID=16>; 1 page.

Fullyear-Brother Enterprise Co., Ltd.: Product Information Sheet for TSA Zipper Lock; 2011; <http://www.fullyear.com/Product.asp?SID=19>; 1 page.

Fullyear-Brother Enterprise Co., Ltd.: Product Information Sheet for TSA Luggage Strap Lock; 2011; <http://www.fullyear.com/Product.asp?SID=110>; 1 page.

Welcome to the World of Sinox Locks; TSA Locks, Luggage Locks, Bicycle Locks, Computer Locks, Hardware Security Locks; Product Data Sheets; <http://www.sinoxlock.com/product/search>; 2009; 9 pages.

* cited by examiner

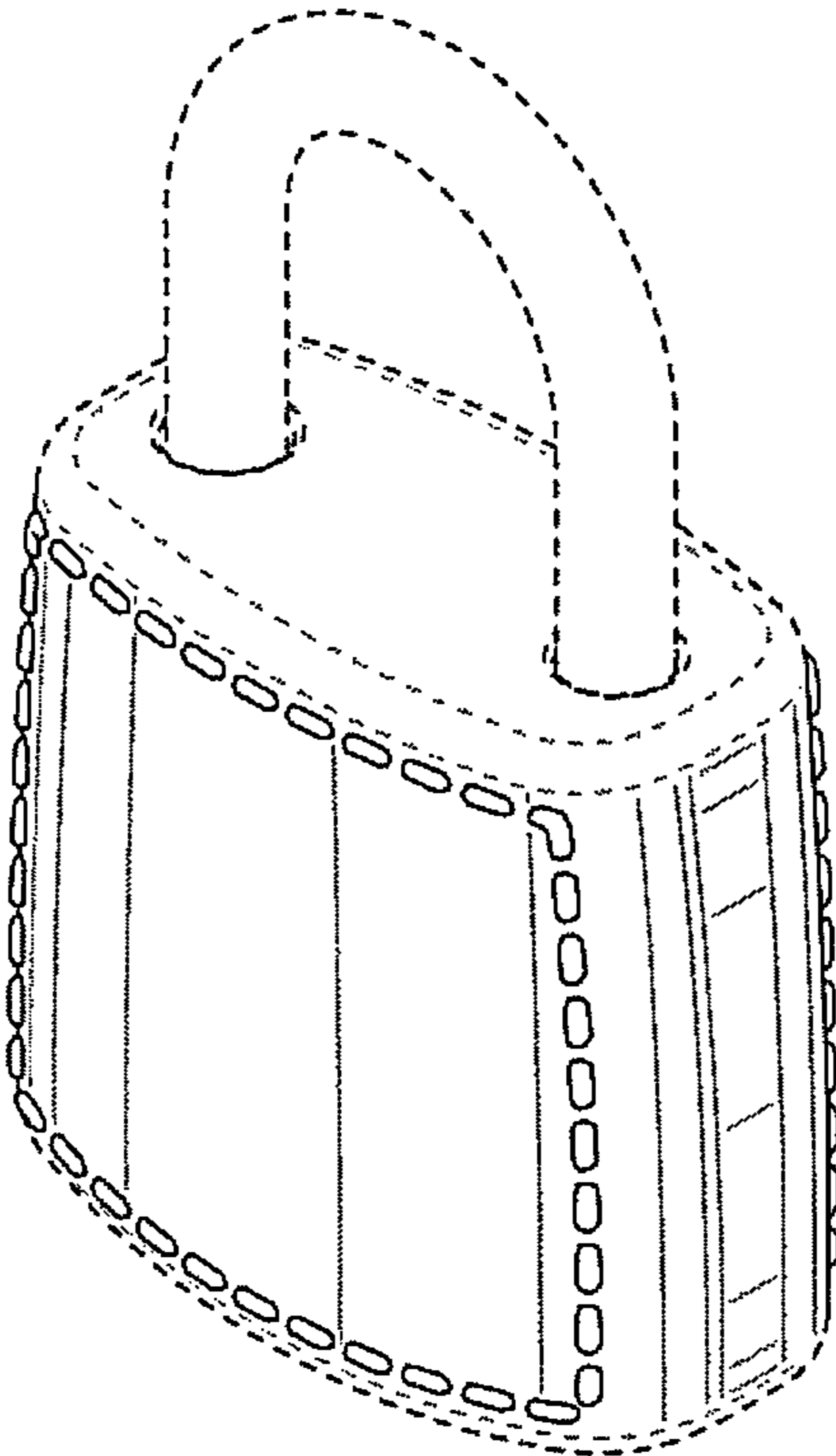


FIG. 1

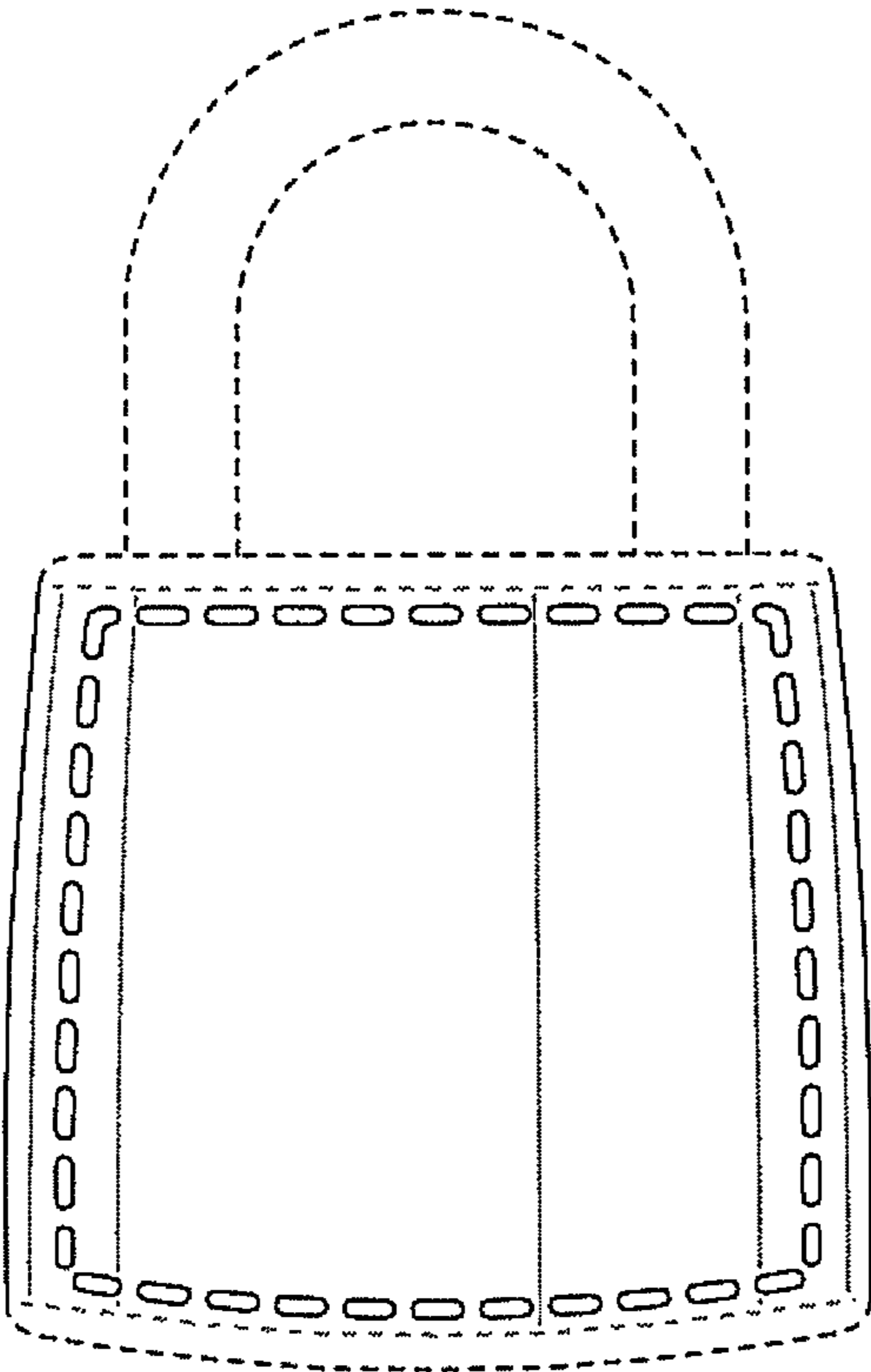


FIG. 2

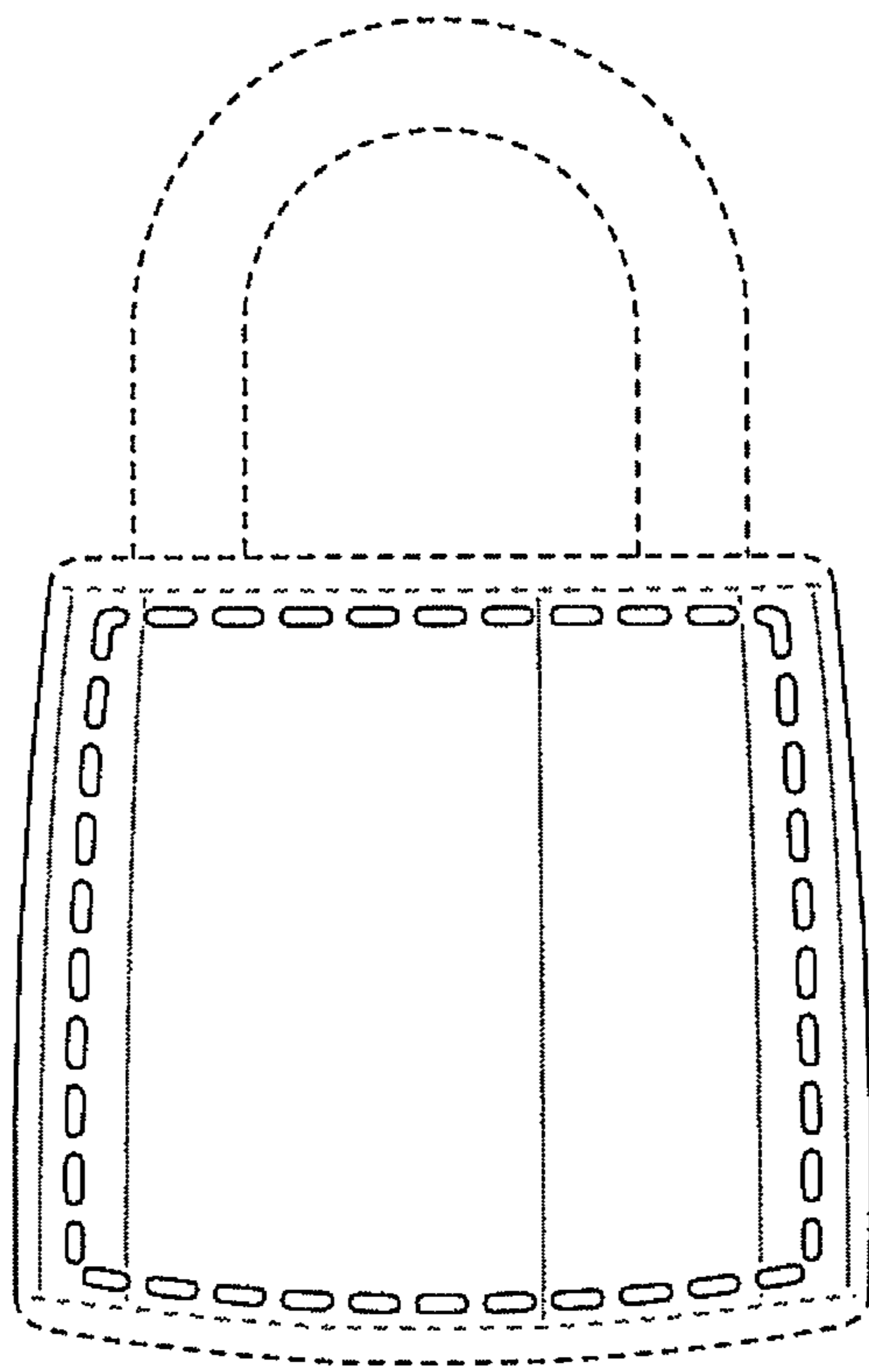


FIG. 3

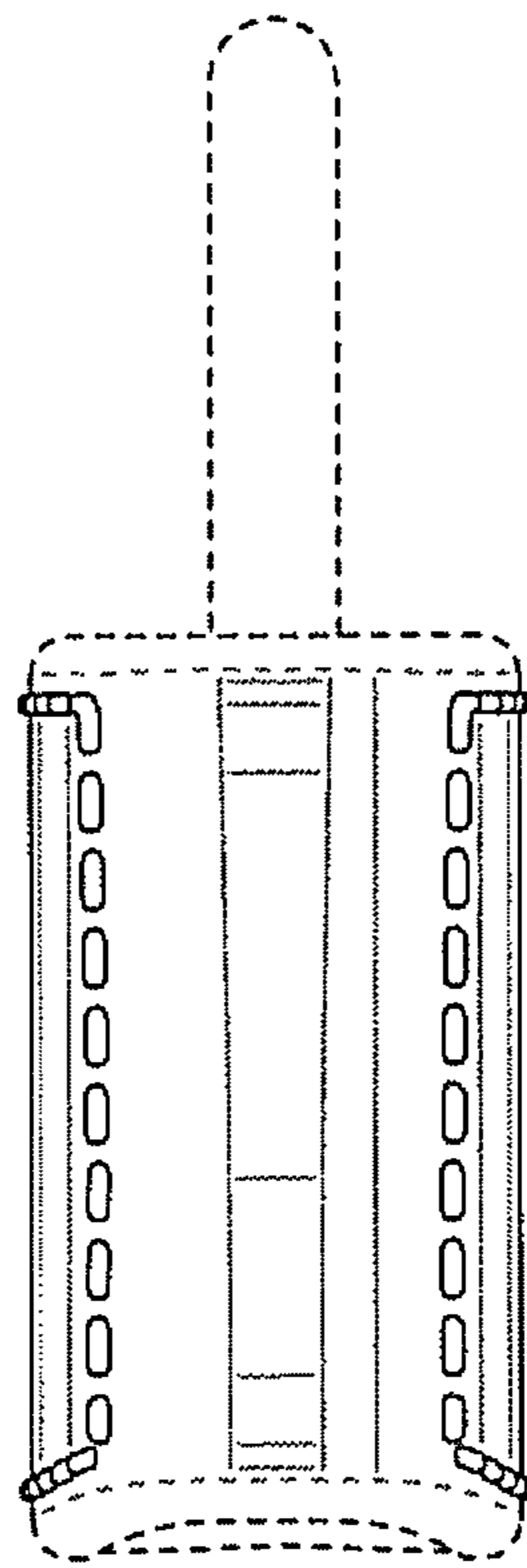


FIG. 4

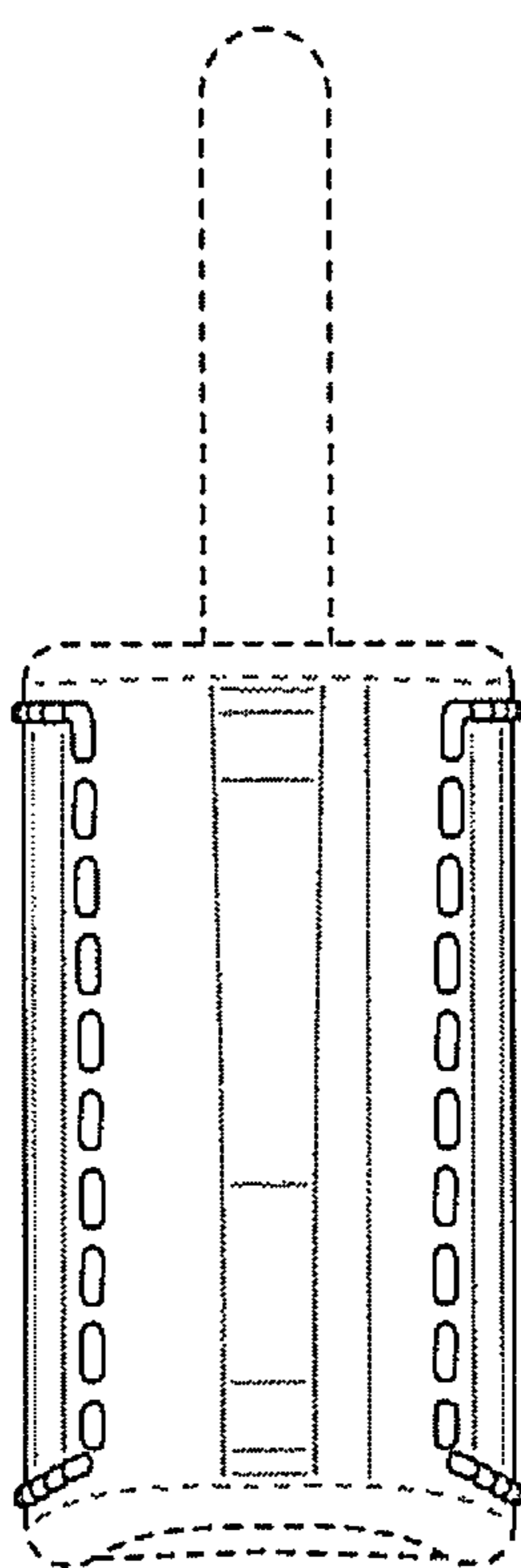


FIG. 5

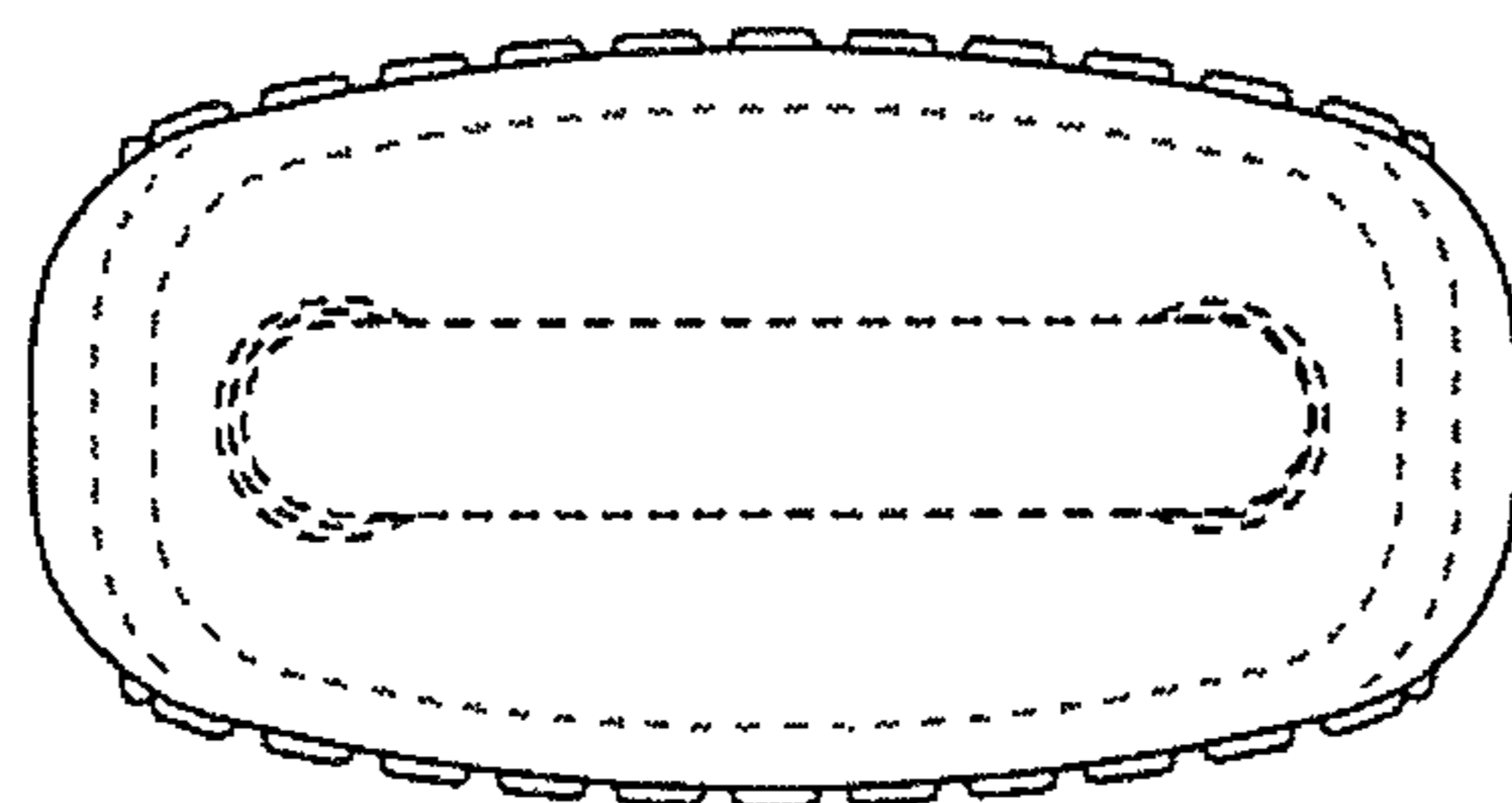


FIG. 6

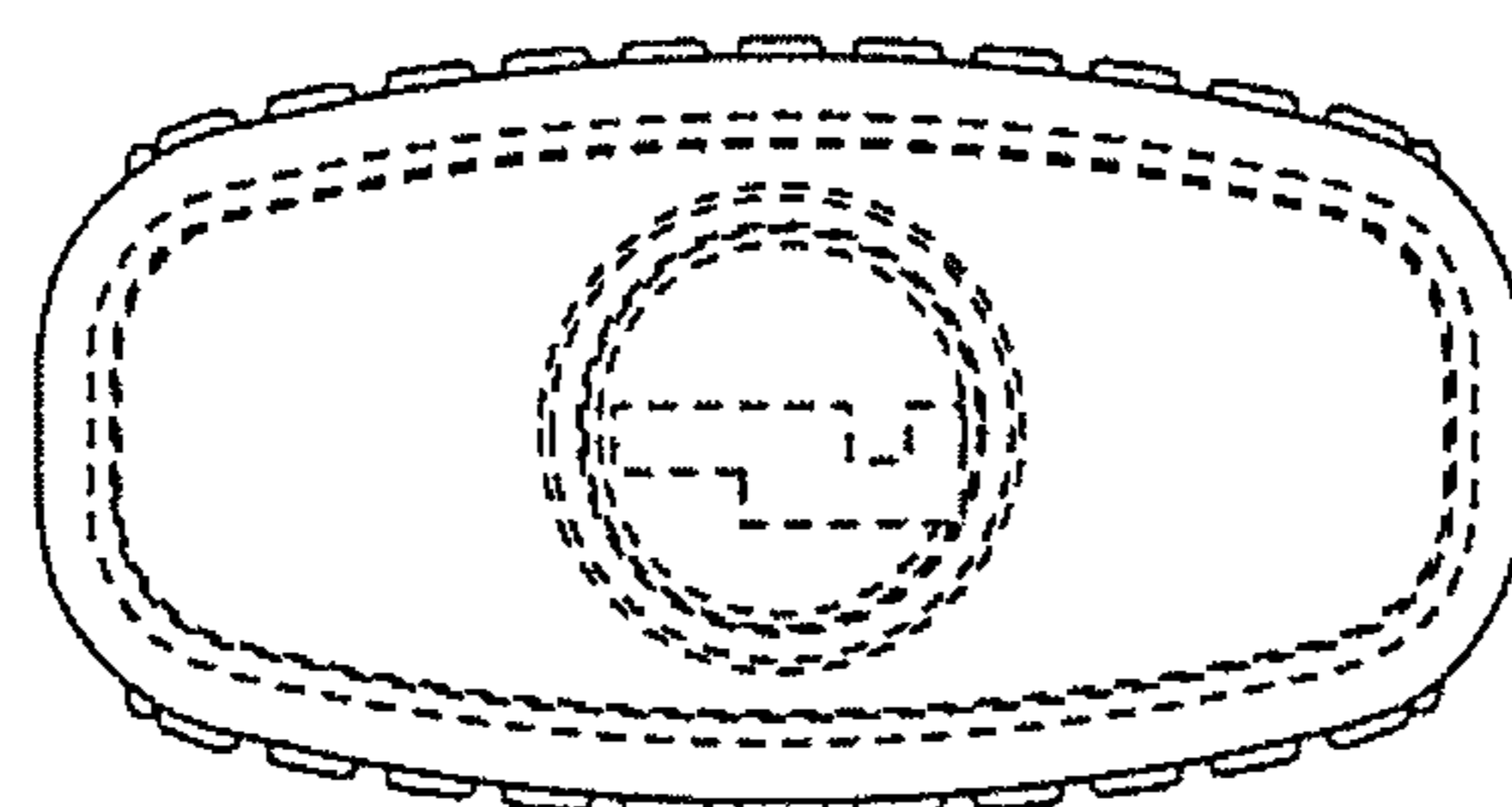


FIG. 7