

US00D690579S

(12) **United States Design Patent**  
**Biter et al.**

(10) **Patent No.:** **US D690,579 S**  
(45) **Date of Patent:** **\*\* Oct. 1, 2013**

- (54) **LATCH FOR A CRIB**
- (75) Inventors: **Jason Biter**, Medina, OH (US); **David E. Campbell**, Westfield Center, OH (US)
- (73) Assignee: **Foundations Worldwide, Inc.**, Medina, OH (US)
- (\*\*) Term: **14 Years**
- (21) Appl. No.: **29/430,753**
- (22) Filed: **Aug. 29, 2012**

- 3,934,282 A 1/1976 Bryant
- 4,226,452 A 10/1980 Hoffman et al.
- 4,706,312 A 11/1987 Shamie
- 4,752,977 A 6/1988 Smith et al.

(Continued)

**OTHER PUBLICATIONS**

Convertible "Kathryn" Crib Instruction Sheet, Jun. 2003.

*Primary Examiner* — Prabhakar Deshmukh

(74) *Attorney, Agent, or Firm* — Christopher L. Parmelee; Walker & Jocke

(57) **CLAIM**

The ornamental design for a latch for a crib, as shown and described.

**DESCRIPTION**

FIG. 1 is an upper perspective view showing our new design for a crib.  
 FIG. 2 is a lower perspective view thereof.  
 FIG. 3 is front side plan view thereof.  
 FIG. 4 is back side plan view thereof.  
 FIG. 5 is a right side plan view thereof, the left side being a mirror image.  
 FIG. 6 is a top side plan view thereof.  
 FIG. 7 is a bottom side plan view thereof.  
 FIG. 8 is a cross-section plan view along lines 8-8 of FIG. 6.  
 FIG. 9 is an upper right portion view of the front side plan view of FIG. 3 along lines 8-8 of FIG. 6, the upper left portion of the front side being a mirror image; and,  
 FIG. 10 is lower perspective view of the upper right portion of FIG. 9.

The broken lines adjacent the shaded areas represent the boundaries of the claimed design, while the other broken lines representing the outline of portions of the crib depict environmental subject matter only, and form no part of the claimed design.

**1 Claim, 10 Drawing Sheets**

**Related U.S. Application Data**

(63) Continuation of application No. 29/393,681, filed on Jun. 8, 2011, now Pat. No. Des. 666,470.

(51) **LOC (9) Cl.** ..... **08-07**

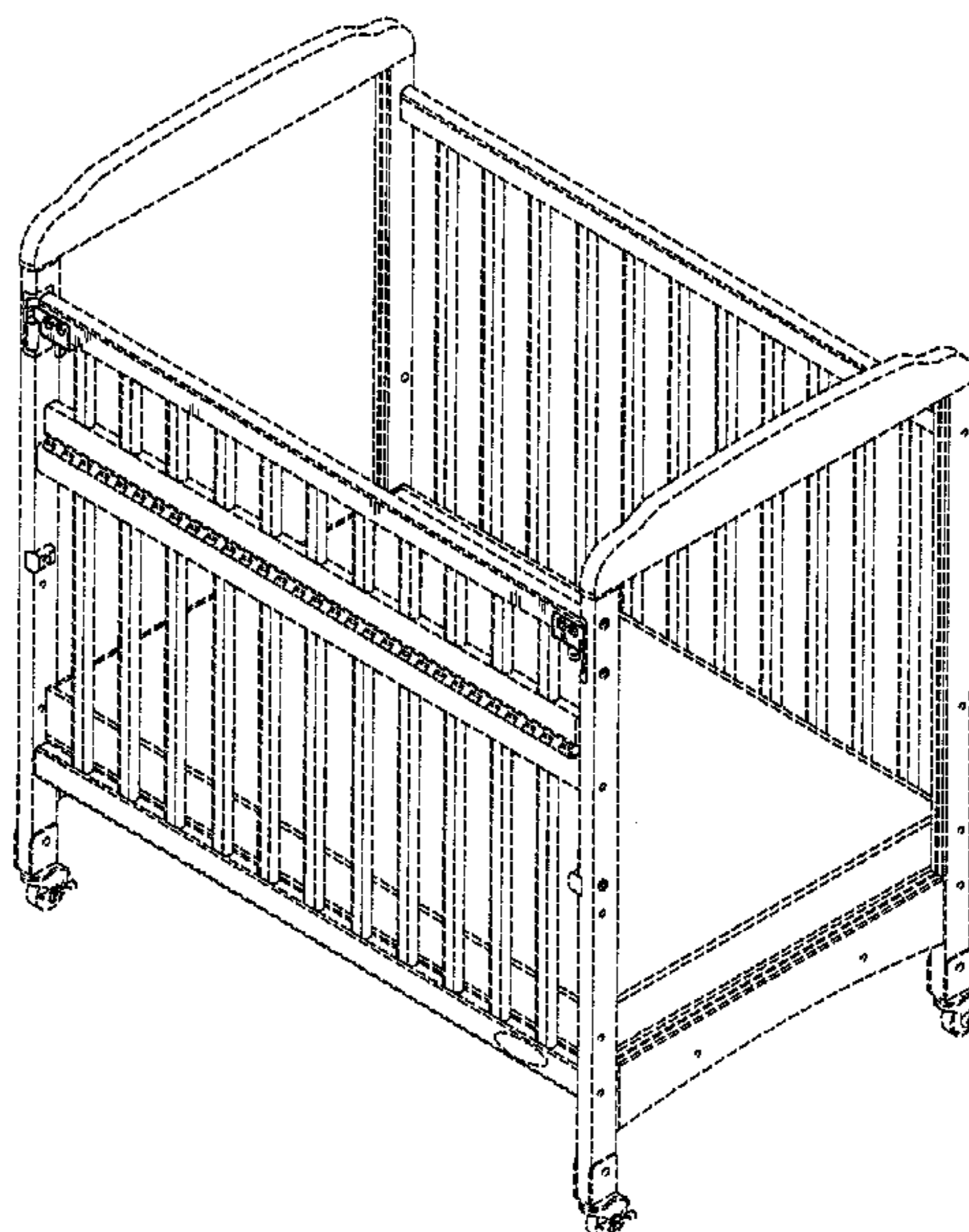
(52) **U.S. Cl.**  
USPC ..... **D8/331; D8/343**

(58) **Field of Classification Search**  
 USPC ..... D8/330, 331, 336, 339, 343, 349,  
 D8/400, 403; 70/57, 57.1, 78, 141, 465,  
 70/466; 292/289, 292, 298, 306, 336.3, 338,  
 292/340, 358, 359, DIG. 7, DIG. 27, DIG. 30;  
 5/93.1, 92.2, 100, 428, 424  
 See application file for complete search history.

(56) **References Cited**

**U.S. PATENT DOCUMENTS**

- 1,570,368 A \* 1/1926 Zeh ..... 428/78
- 1,622,387 A 3/1927 Marquardt
- 1,705,581 A 3/1929 Bukolt
- 3,590,403 A 7/1971 Mixon
- 3,634,894 A 1/1972 Harbison
- 3,649,973 A 3/1972 Benoit et al.
- 3,846,854 A 11/1974 Bryant
- 3,896,513 A 7/1975 Boucher et al.
- 3,896,514 A 7/1975 Feldstein



(56)

**References Cited**

U.S. PATENT DOCUMENTS

4,765,004 A 8/1988 Kessel  
 4,768,243 A 9/1988 Waples  
 D302,240 S 7/1989 Zell  
 5,040,254 A 8/1991 Frank  
 5,068,932 A 12/1991 Chang  
 5,072,464 A 12/1991 Draheim et al.  
 5,077,846 A 1/1992 Wheeler, III et al.  
 D329,799 S 9/1992 Conklin  
 5,201,085 A 4/1993 Shamie  
 D366,778 S 2/1996 Pollard  
 D382,735 S \* 8/1997 Zapf ..... D6/492  
 5,715,551 A 2/1998 Proano et al.  
 5,737,946 A \* 4/1998 Sole et al. .... 70/54

D422,483 S \* 4/2000 Shea ..... D8/354  
 6,088,851 A 7/2000 Draheim  
 D431,770 S \* 10/2000 Willet ..... D8/354  
 D487,222 S \* 3/2004 Balaban ..... D8/354  
 6,817,046 B1 11/2004 Srour et al.  
 D534,904 S \* 1/2007 Crawford ..... D14/238  
 7,376,986 B2 5/2008 Smith et al.  
 7,452,153 B2 11/2008 Jensen  
 7,458,744 B2 12/2008 Hall  
 D595,111 S 6/2009 Jones et al.  
 D607,900 S \* 1/2010 Pelini ..... D15/4  
 7,712,266 B2 \* 5/2010 Sarkisian ..... 52/167.1  
 7,905,525 B2 3/2011 Badia  
 D673,446 S \* 1/2013 Houry ..... D8/403

\* cited by examiner

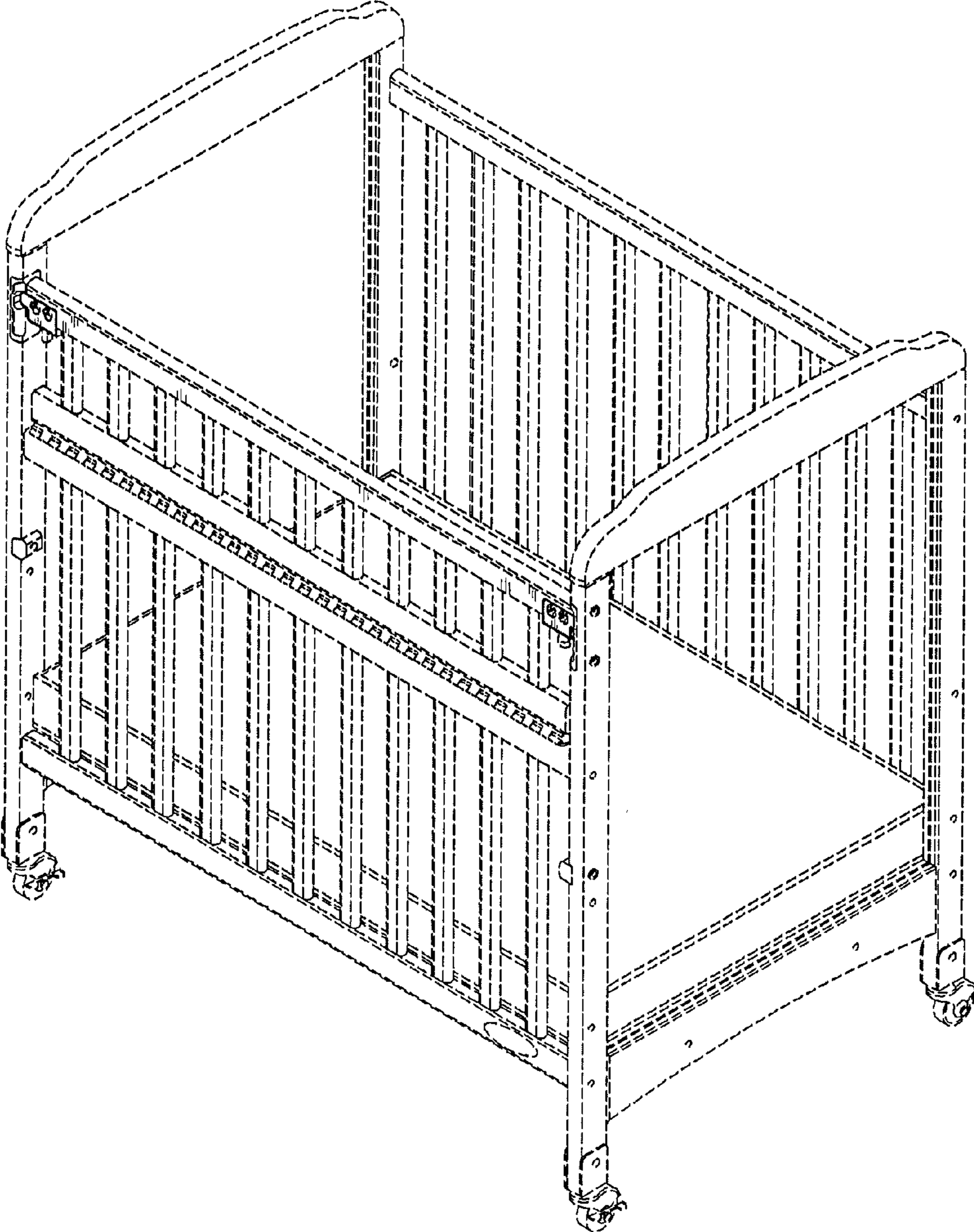


FIG. 1

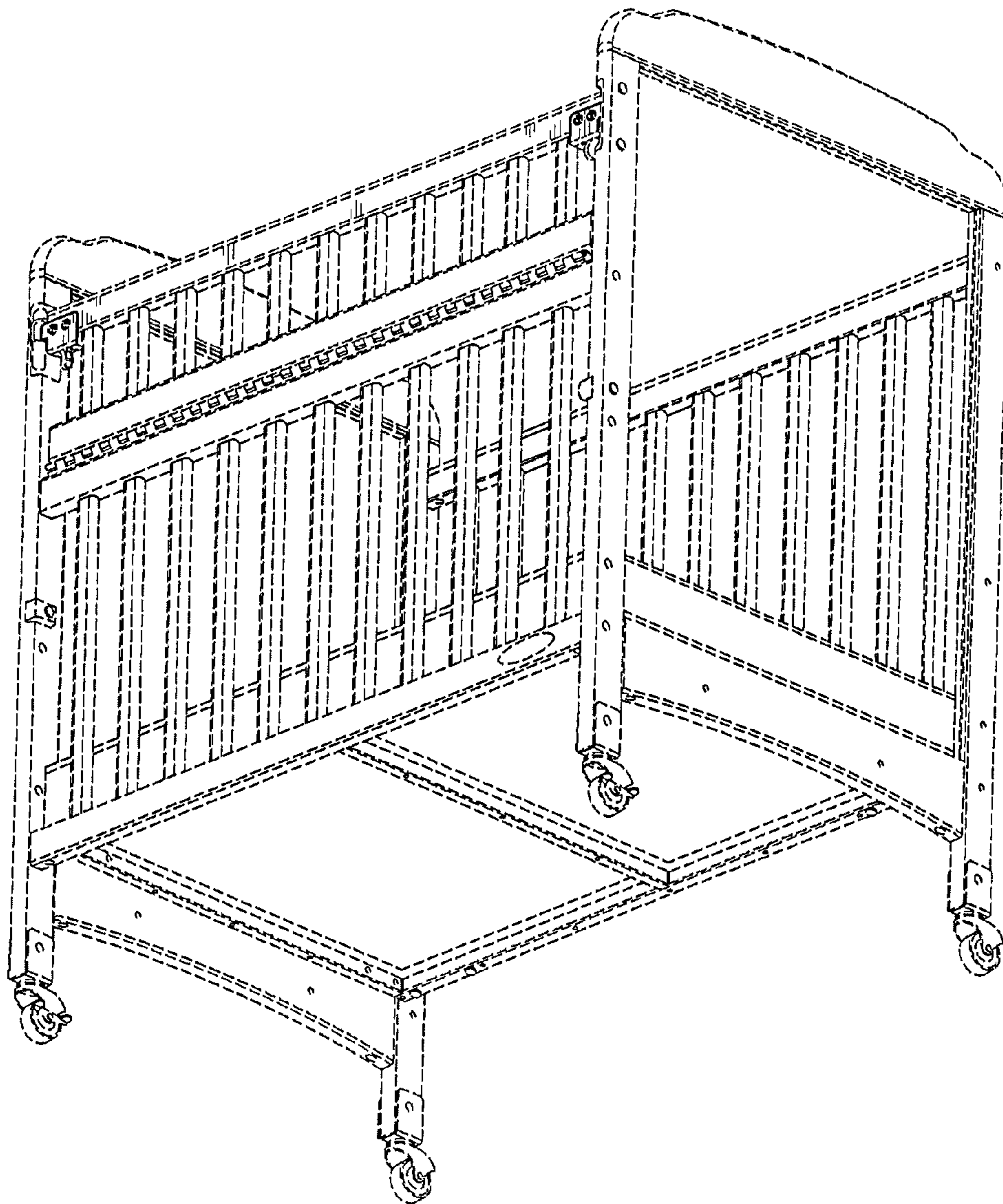


FIG. 2

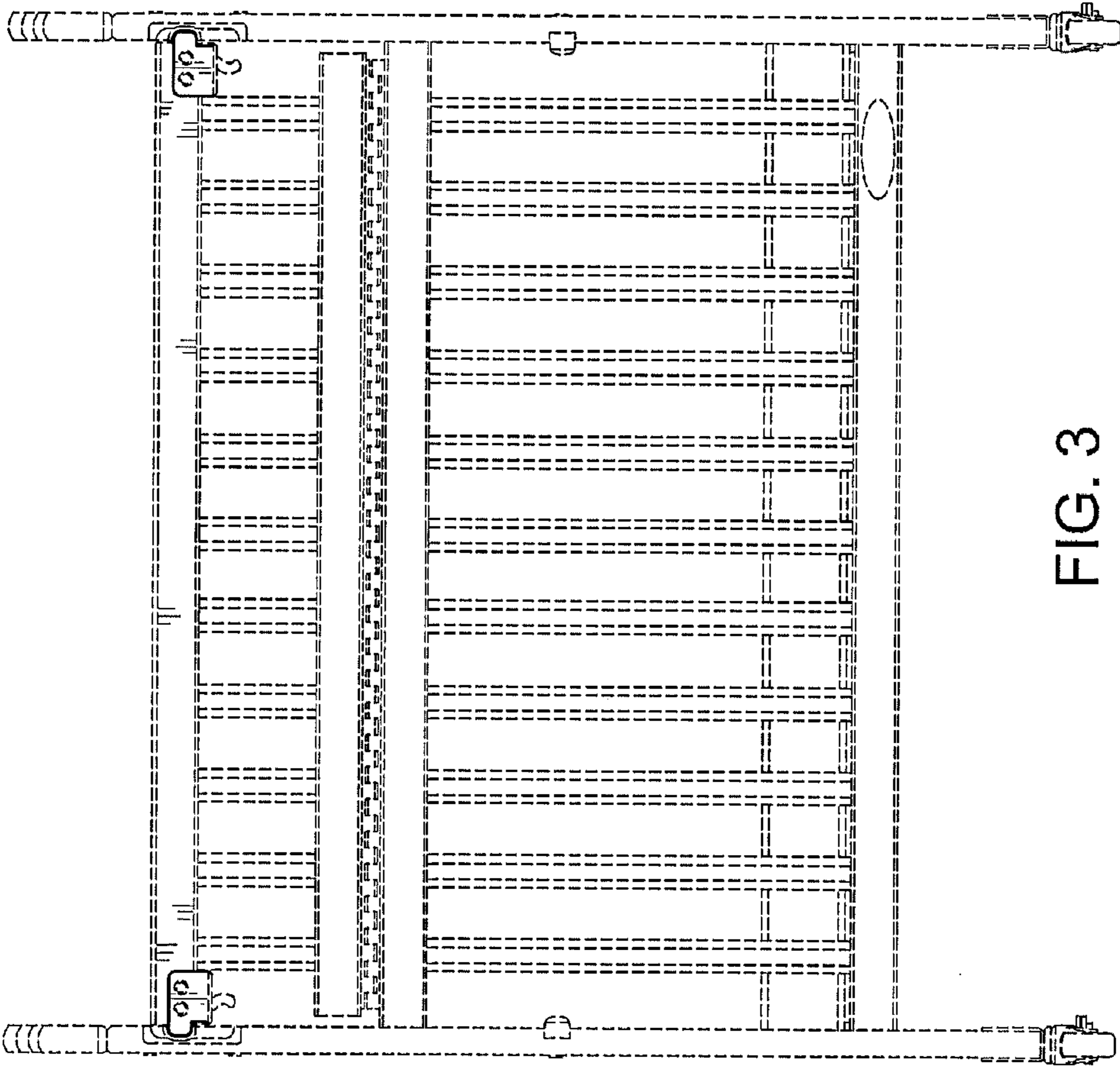


FIG. 3

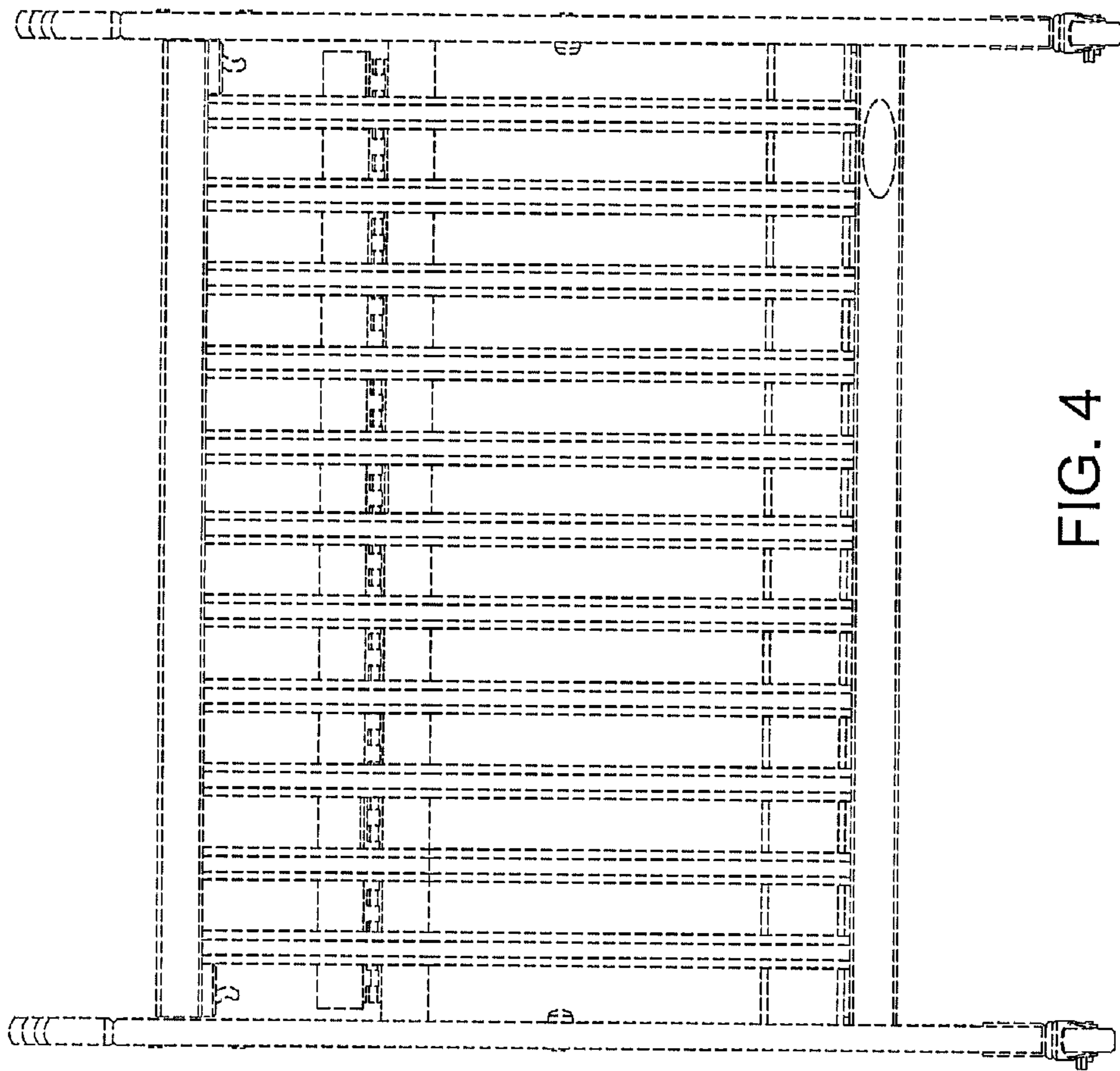


FIG. 4

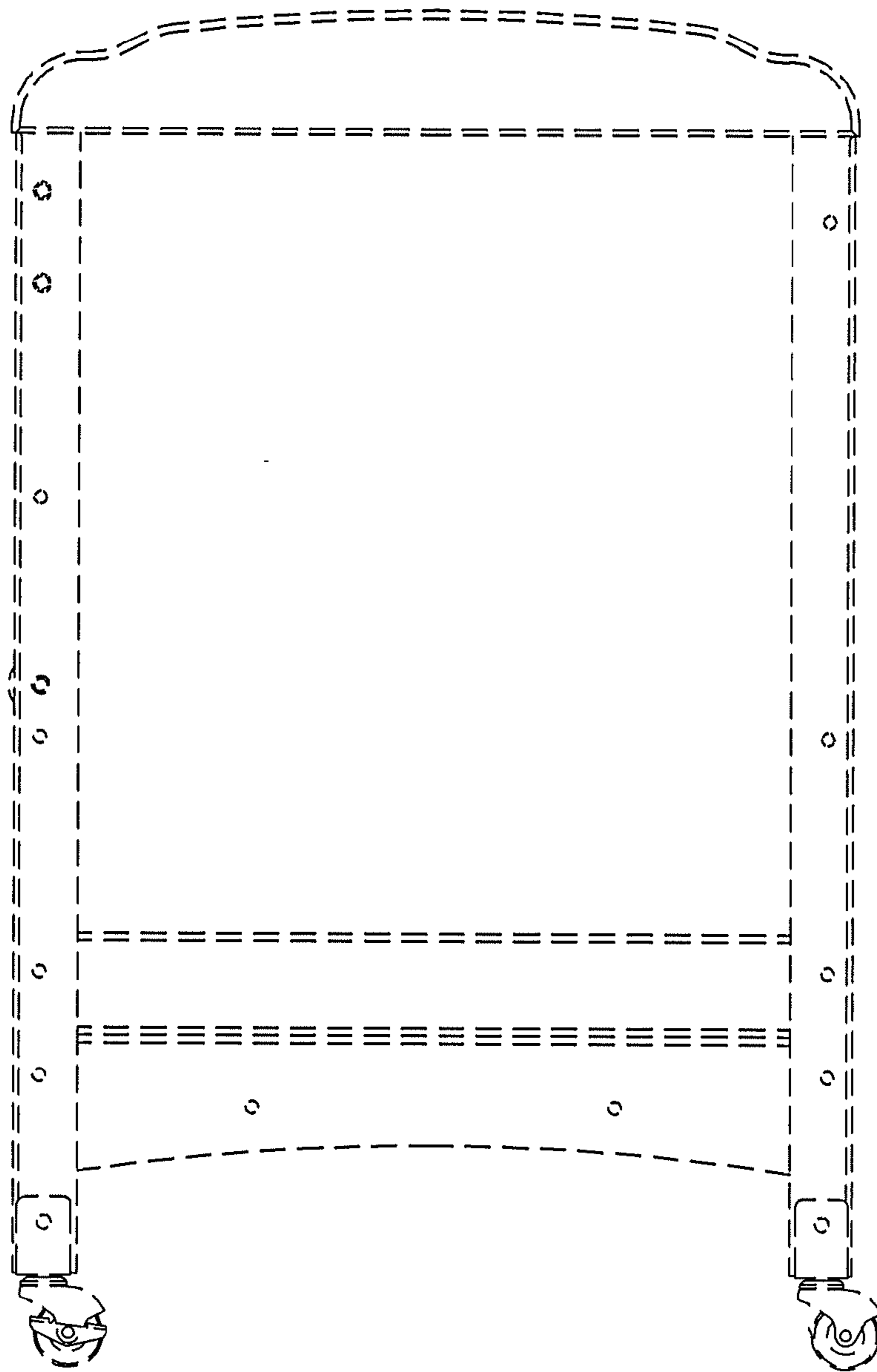


FIG. 5

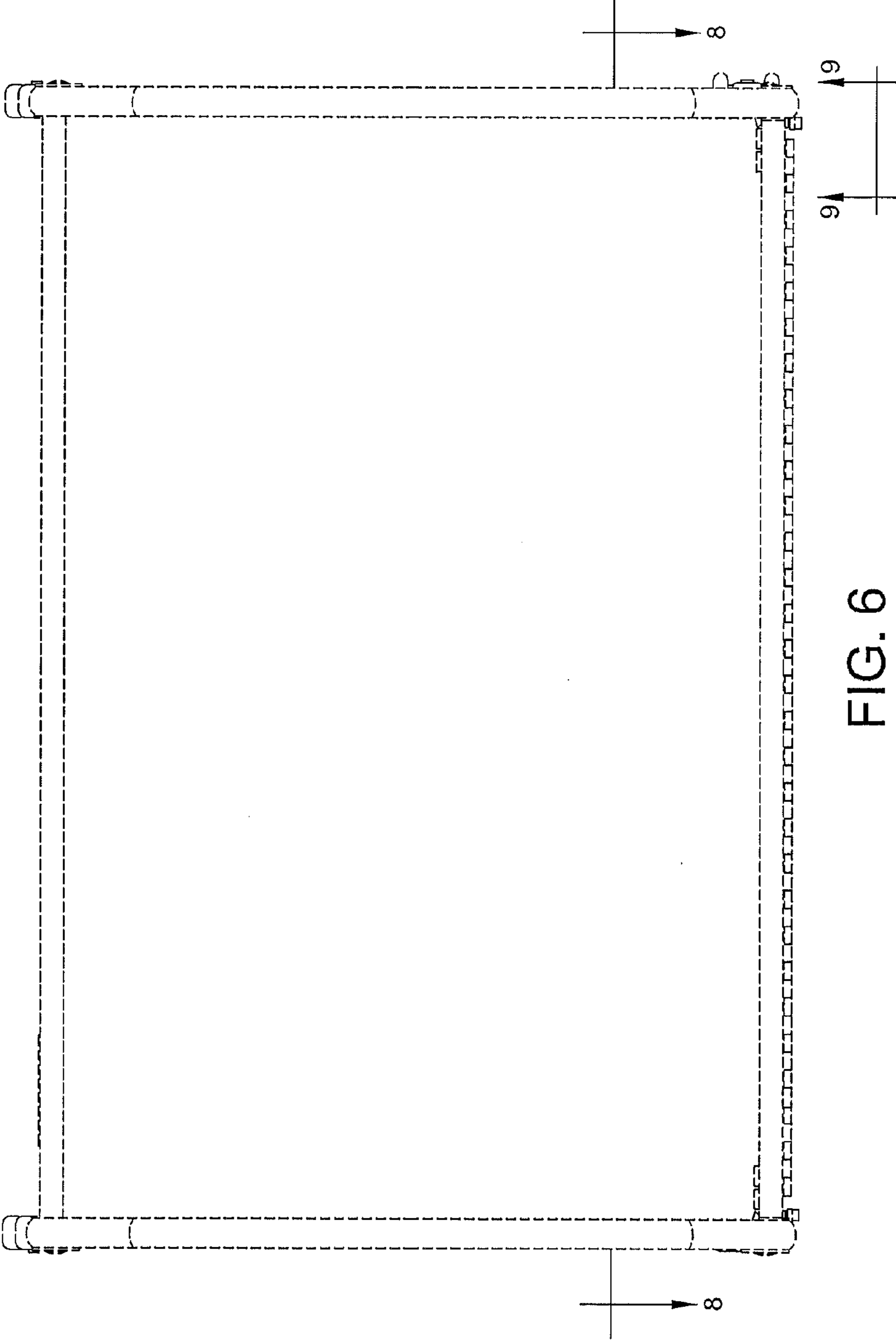


FIG. 6



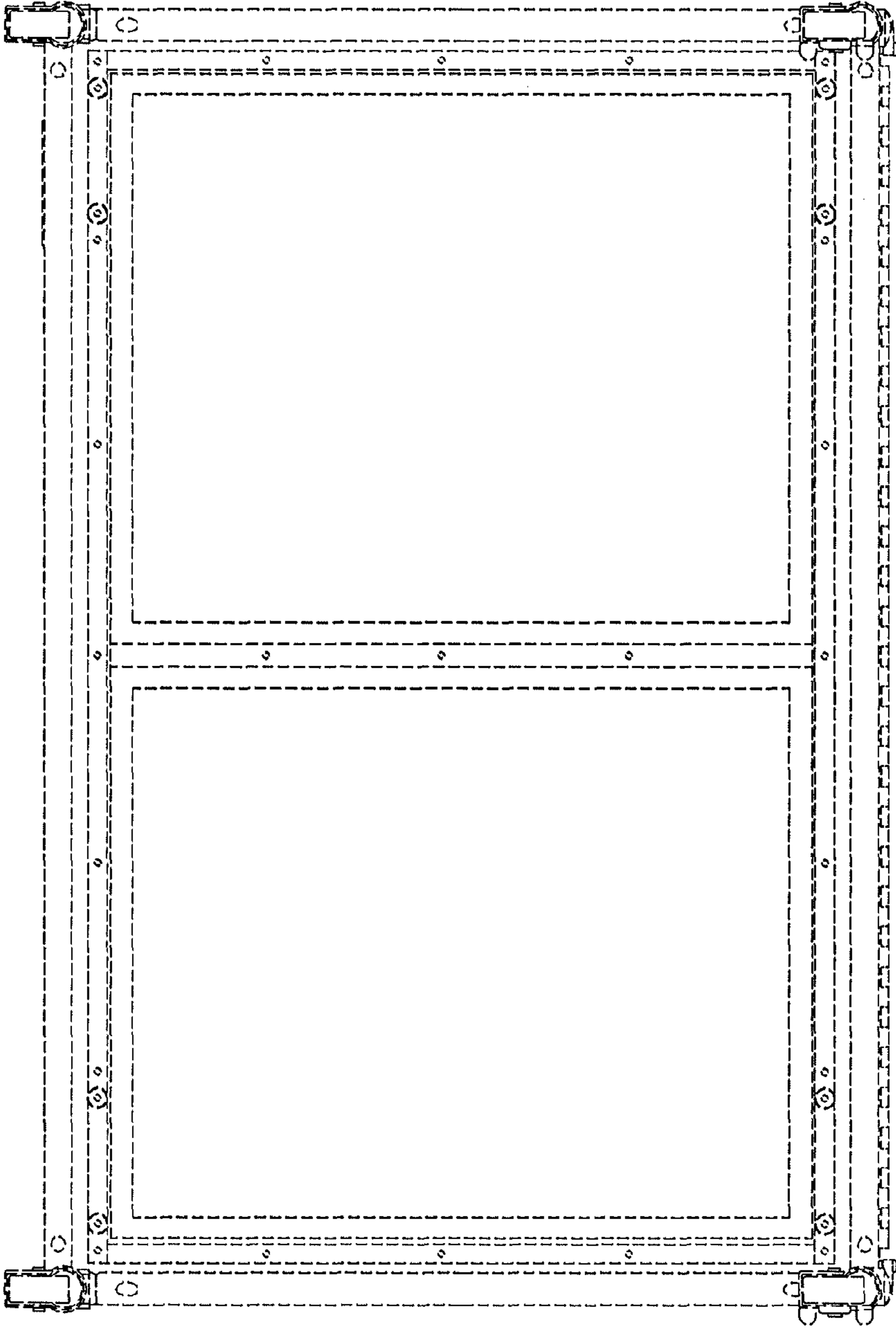


FIG. 7

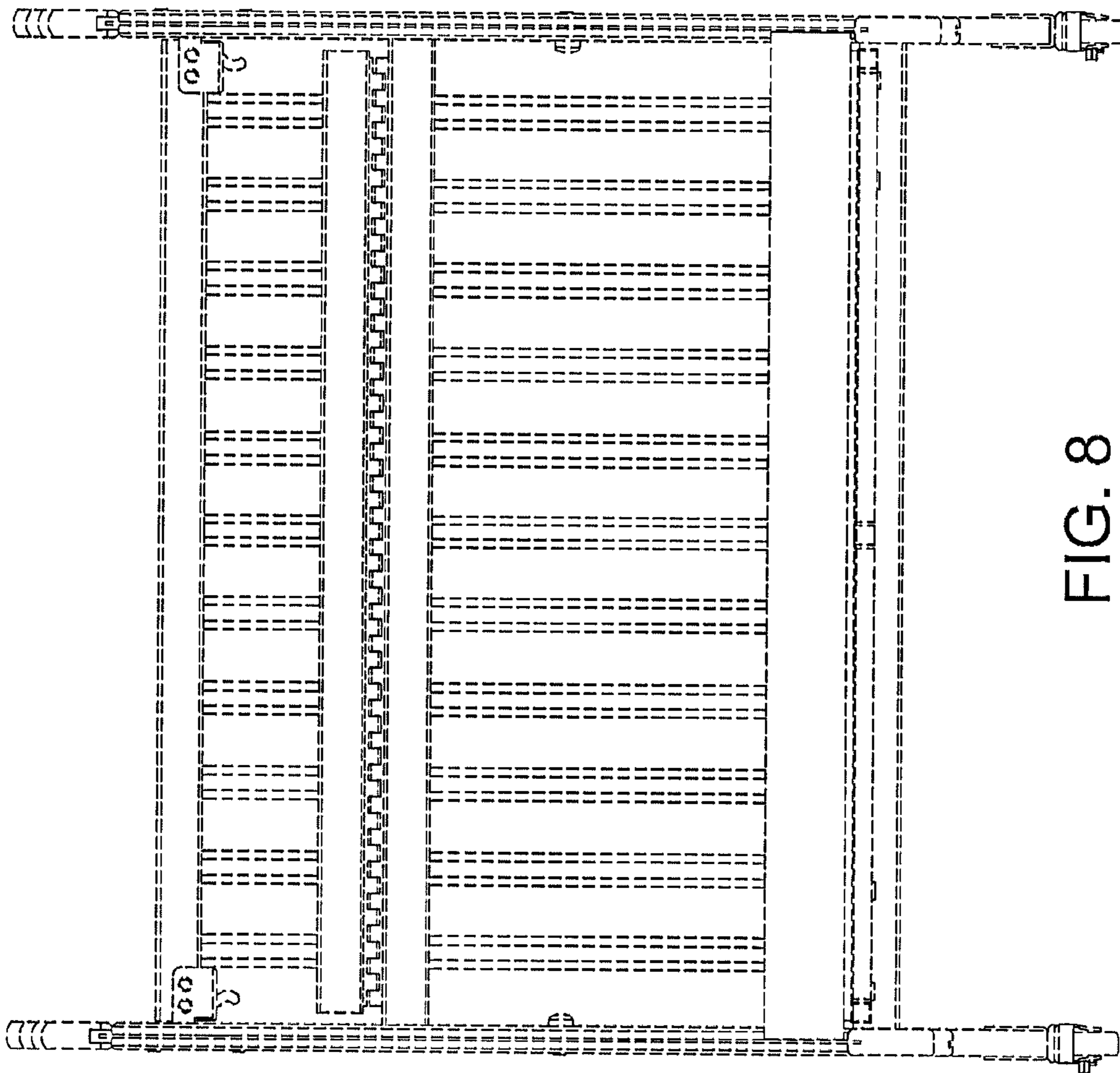


FIG. 8

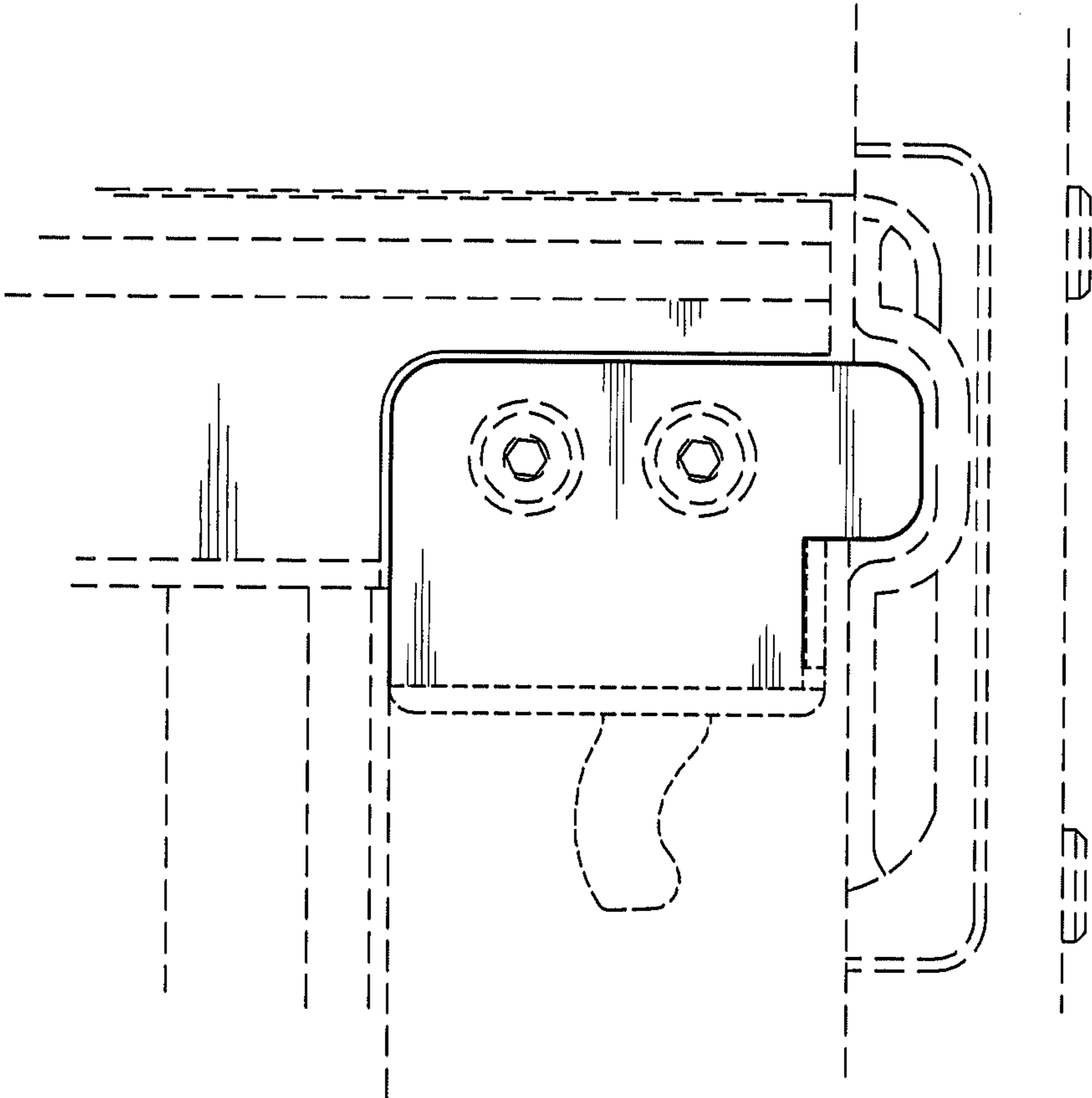


FIG. 9

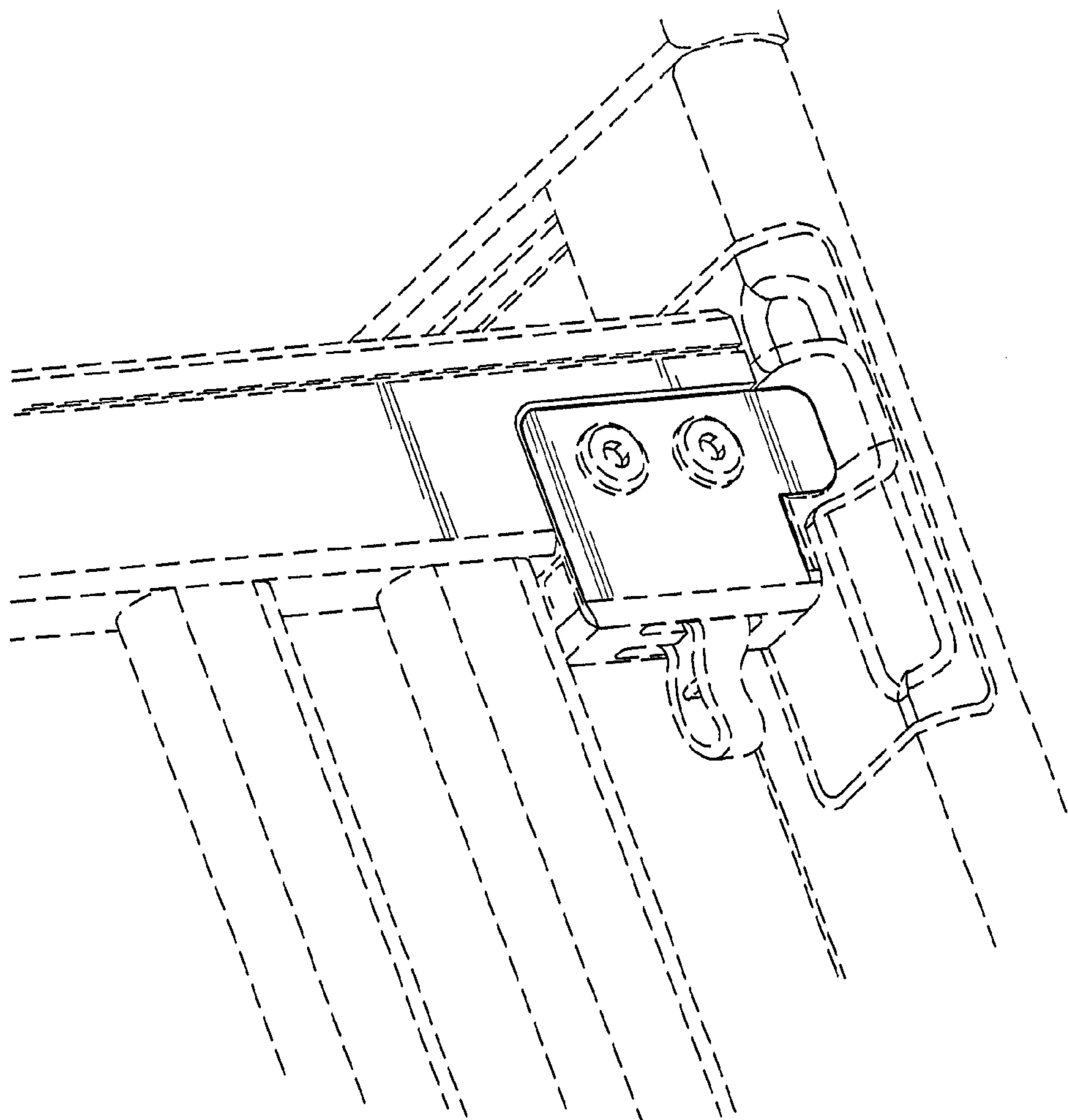


FIG. 10