



US00D690576S

(12) **United States Design Patent**
Webb et al.

(10) **Patent No.:** **US D690,576 S**
(45) **Date of Patent:** **** Oct. 1, 2013**

- (54) **ELECTROMAGNETIC LOCK**
- (71) Applicant: **Securitron Magnalock Corporation**,
Phoenix, AZ (US)
- (72) Inventors: **Michael Allen Webb**, Cave Creek, AZ
(US); **Larry Gene Corwin**, Mesa, AZ
(US)
- (73) Assignee: **Securitron Magnalock Corporation**,
Phoenix, AZ (US)
- (**) Term: **14 Years**
- (21) Appl. No.: **29/451,445**
- (22) Filed: **Apr. 2, 2013**

D395,225	S	*	6/1998	Wilde	D8/346
5,894,277	A		4/1999	Keskin et al.		
6,577,217	B1		6/2003	Bournarie et al.		
6,722,715	B1	*	4/2004	Chiang	292/251.5
7,080,533	B2	*	7/2006	Sedley	70/276
7,185,928	B1	*	3/2007	Liao	292/341.16
7,221,272	B2		5/2007	Hosselet		
D580,739	S		11/2008	Pelletier et al.		
D593,398	S		6/2009	Pelletier et al.		
7,712,341	B2		5/2010	Johansson et al.		
D618,081	S		6/2010	Moyer		
D630,489	S		1/2011	Gratzki et al.		
7,934,595	B2	*	5/2011	Breit et al.	206/5
7,971,775	B2	*	7/2011	Saltsov et al.	232/15
8,033,583	B2		10/2011	Chang		
8,125,338	B2	*	2/2012	Li	340/568.1
8,161,778	B1	*	4/2012	Ma	70/21
8,217,743	B2		7/2012	Liu		
8,341,988	B2		1/2013	Nickeas et al.		

* cited by examiner

Related U.S. Application Data

- (62) Division of application No. 29/408,774, filed on Dec. 16, 2011, now Pat. No. Des. 682,655.
- (51) **LOC (9) Cl.** **08-07**
- (52) **U.S. Cl.**
USPC **D8/330**
- (58) **Field of Classification Search**
USPC D8/330, 331, 336, 338, 339, 340,
D8/343; 70/14, 2, 51, 57, 57.1, 91, 107,
70/141, 276-283, 175, 582, 387, 413, 229,
70/231; 292/2, 32, 137, 288, 289, 290, 292
See application file for complete search history.

Primary Examiner — Prabhakar Deshmukh

(74) *Attorney, Agent, or Firm* — Woods Oviatt Gilman LLP

(57) **CLAIM**

The ornamental design for the electromagnetic lock, as shown and described.

DESCRIPTION

FIG. 1 is a perspective view of an electromagnetic lock showing our new design;
 FIG. 2 is a front view thereof;
 FIG. 3 is bottom view thereof;
 FIG. 4 is a back view thereof;
 FIG. 5 is a right side view thereof; and,
 FIG. 6 is a left side view thereof.

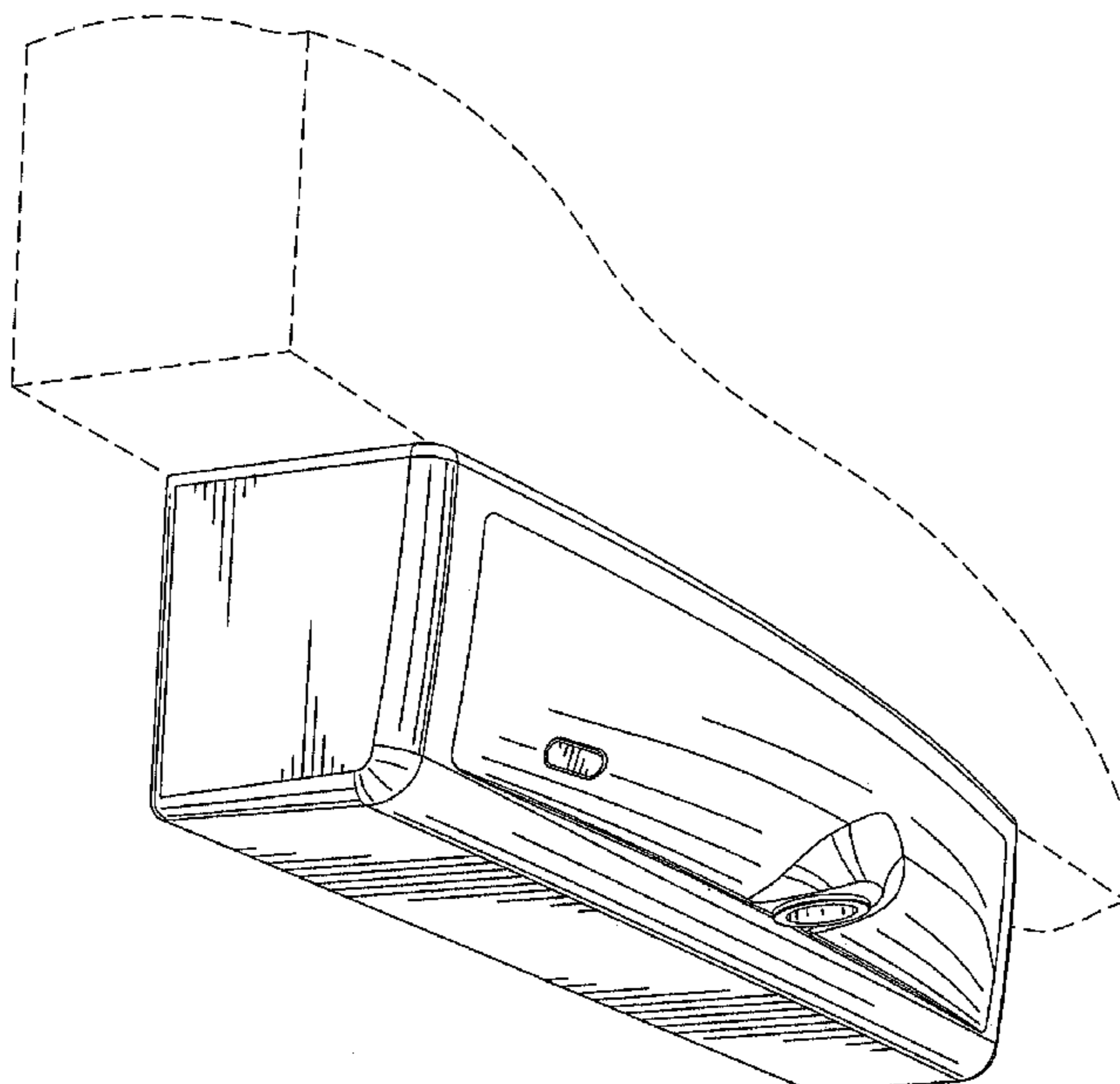
The portions of the drawings shown in broken lines represent environmental structure and form no part of the claimed design.

(56) **References Cited**

U.S. PATENT DOCUMENTS

D247,467	S	*	3/1978	Morita	D8/331
4,333,327	A	*	6/1982	Wake	70/276
D274,883	S	*	7/1984	Aoki	D8/331
5,291,766	A	*	3/1994	Eisermann	70/276
D364,551	S	*	11/1995	Christenson et al.	D8/334

1 Claim, 4 Drawing Sheets



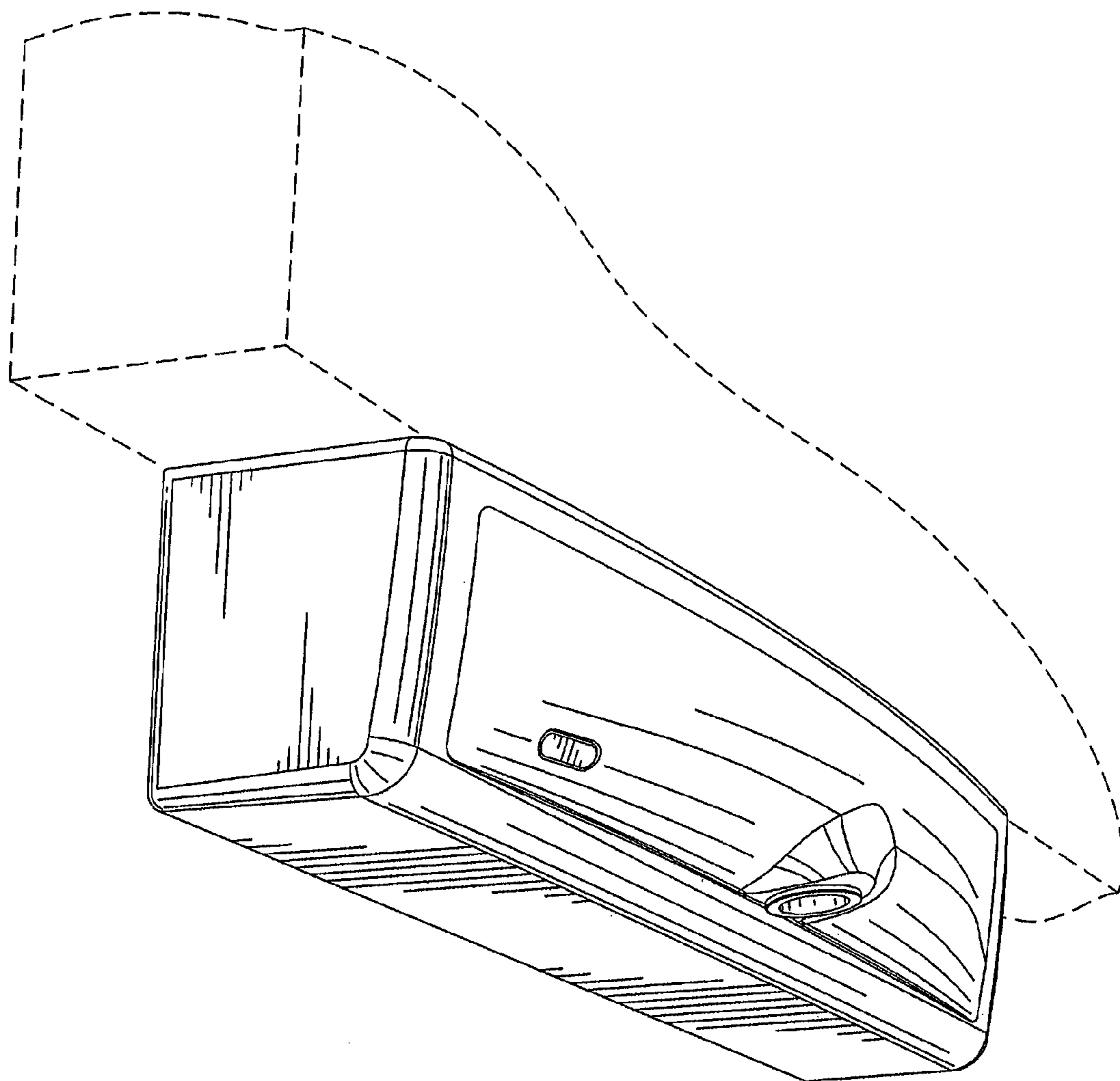


FIG. 1.

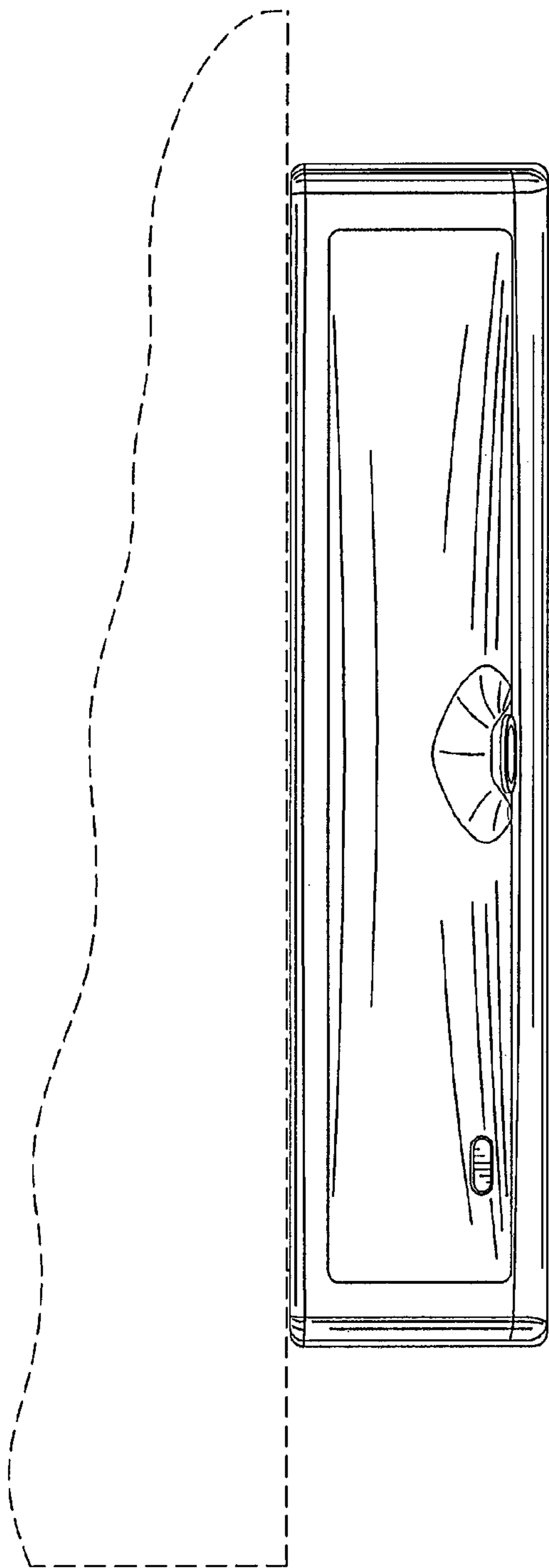


FIG. 2.

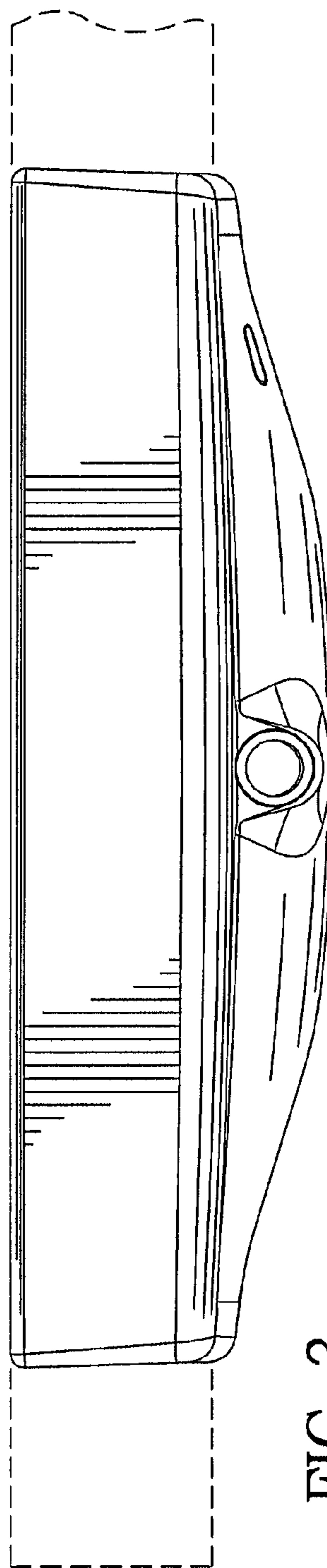


FIG. 3.

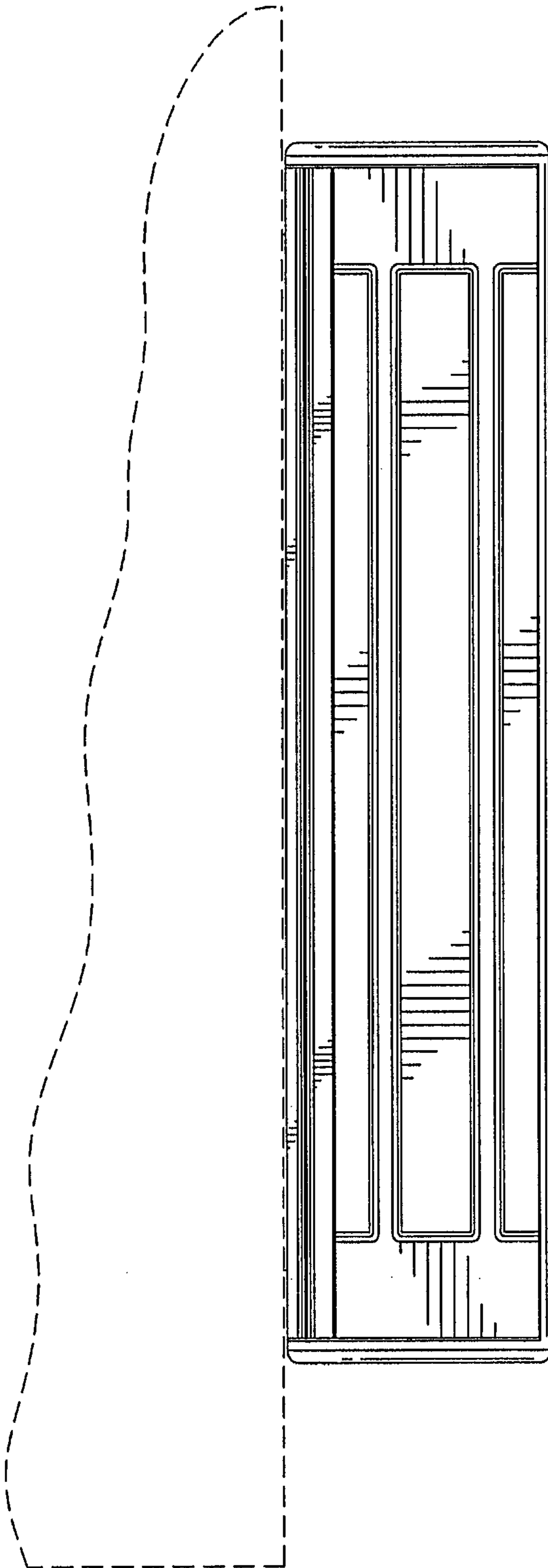


FIG. 4.

FIG. 5.

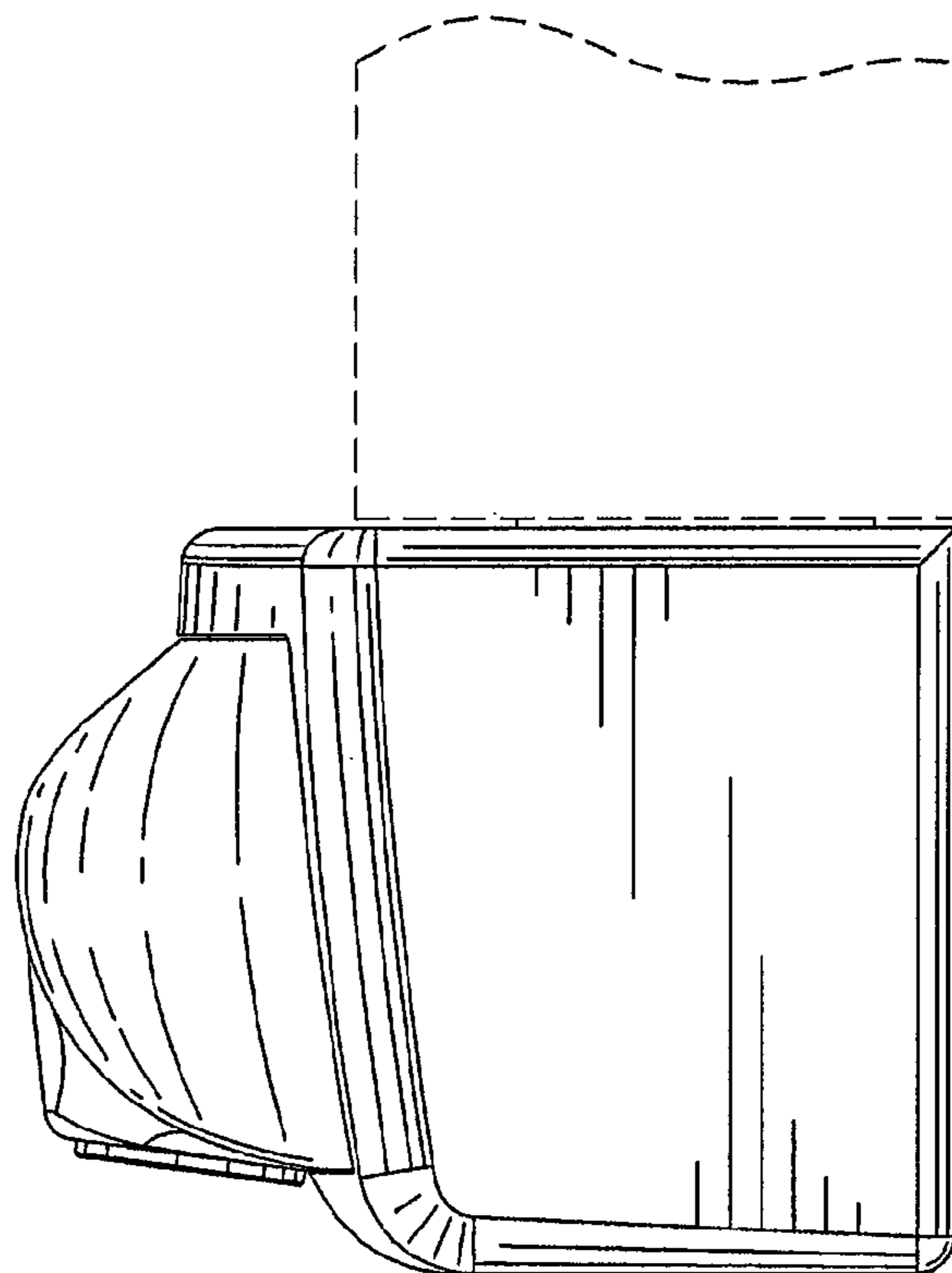


FIG. 6.

