

US00D690575S

(12) **United States Design Patent**
Stark et al.

(10) **Patent No.:** **US D690,575 S**
(45) **Date of Patent:** **** Oct. 1, 2013**

(54) **HANDRAIL**

(76) Inventors: **Donna Raye Stark**, Albuquerque, NM
(US); **Joe G. Hoffman**, Santa Fe, NM
(US)

(**) **Term:** **14 Years**

(21) **Appl. No.:** **29/412,623**

(22) **Filed:** **Feb. 6, 2012**

(51) **LOC (9) Cl.** **08-06**

(52) **U.S. Cl.**
USPC **D8/315; D25/41.1**

(58) **Field of Classification Search**
USPC D25/41.1; D8/300, 303, 313, 315,
D8/316, 363; 4/511; 256/59, 65.16; 294/170,
294/902

See application file for complete search history.

(56) **References Cited**

U.S. PATENT DOCUMENTS

| | | | |
|-----------|---|---------|----------------|
| 2,319,017 | A | 12/1941 | Tillman |
| 2,549,506 | A | 9/1946 | Moore |
| 2,644,954 | A | 7/1953 | Jumper |
| 2,815,513 | A | 12/1957 | Tilson et al. |
| 2,885,690 | A | 5/1959 | Scott |
| 3,114,154 | A | 12/1963 | Laughlin |
| 3,633,862 | A | 1/1972 | Breen |
| D238,637 | S | 2/1976 | Johansson |
| 4,162,544 | A | 7/1979 | Freeman et al. |
| 4,887,323 | A | 12/1989 | DiVito et al. |
| 4,895,332 | A | 1/1990 | Hansen et al. |
| 5,105,483 | A | 4/1992 | Levien |
| 5,190,267 | A | 3/1993 | Schmitt et al. |
| D371,829 | S | 7/1996 | Greger et al. |
| 5,690,237 | A | 11/1997 | Marzec |

| | | | | |
|--------------|-----|----------|------------------|----------|
| 6,131,213 | A | 10/2000 | Sarff | |
| D470,581 | S | 2/2003 | Hoernig | |
| D486,583 | S | * 2/2004 | Self et al. | D25/41.1 |
| 6,857,622 | B2 | 2/2005 | Okita | |
| 7,124,451 | B2 | 10/2006 | Moore | |
| D562,104 | S | * 2/2008 | Griffis | D8/300 |
| D565,928 | S | * 4/2008 | Bellerose et al. | D8/316 |
| D566,249 | S | 4/2008 | Graves et al. | |
| D584,129 | S | * 1/2009 | Miller | D8/315 |
| 7,823,229 | B2 | 11/2010 | O'Brien et al. | |
| 2006/0053547 | A1 | 3/2006 | Farrow et al. | |
| 2006/0102885 | A1* | 5/2006 | Rosenbaum | 256/59 |
| 2009/0211016 | A1 | 8/2009 | Forrest | |
| 2010/0252792 | A1* | 10/2010 | Bennett | 256/21 |

FOREIGN PATENT DOCUMENTS

| | | |
|----|----------|---------|
| DE | 19825344 | 12/1999 |
| JP | 09021221 | 1/1997 |

* cited by examiner

Primary Examiner — Doris Clark

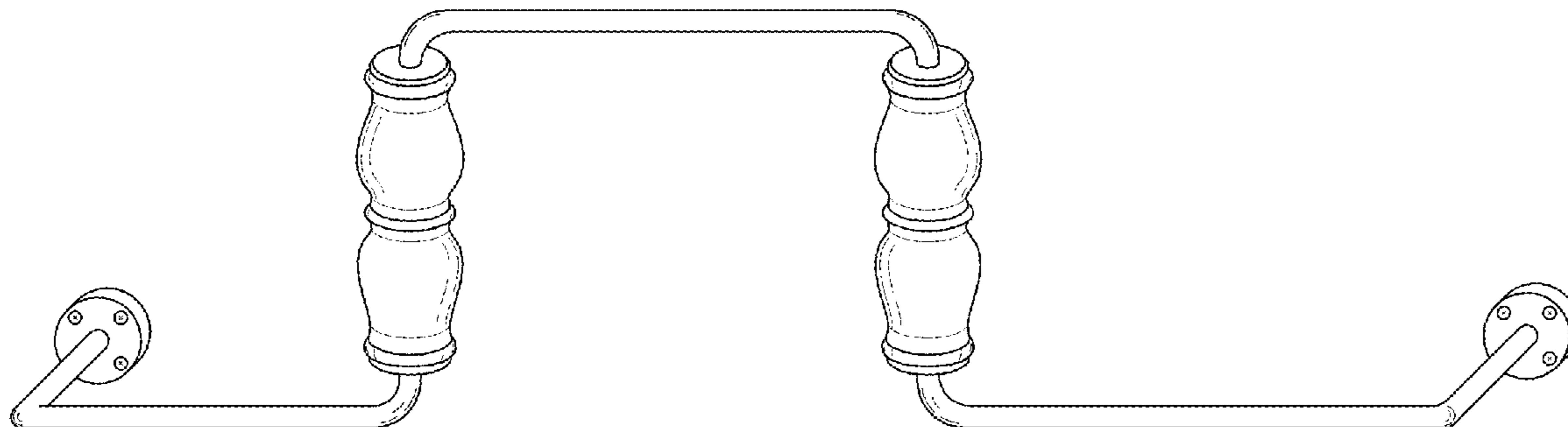
(57) **CLAIM**

I claim the ornamental design for a handrail, as shown and described.

DESCRIPTION

FIG. 1 is a perspective view of a handrail showing a combination of elements.
FIG. 2 is a frontal view of a handrail.
FIG. 3 is a rear view of a handrail.
FIG. 4 is a top view of a handrail.
FIG. 5 is a left-side view of a handrail.
FIG. 6 is a right-side view of a handrail; and,
FIG. 7 is a bottom view of a handrail.

1 Claim, 3 Drawing Sheets



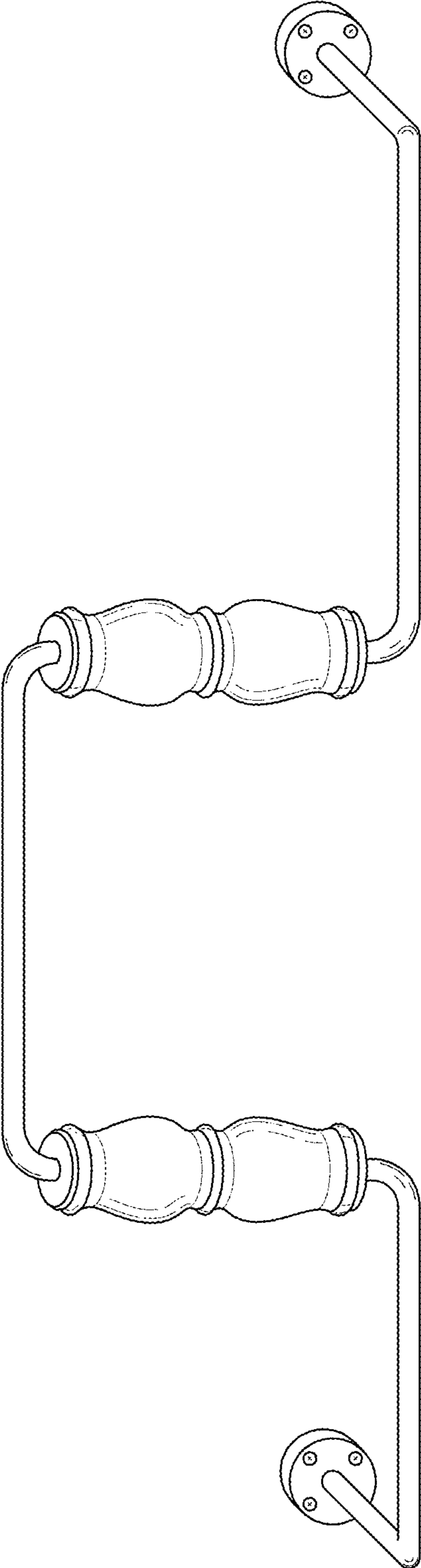


FIG. 1

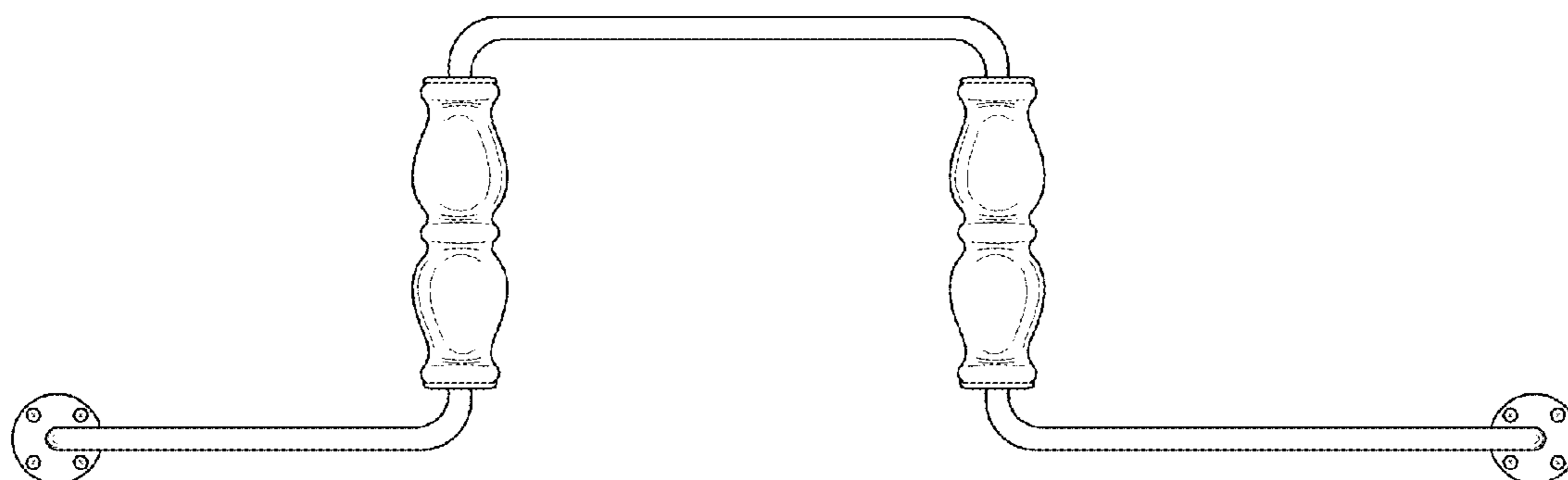


FIG. 2

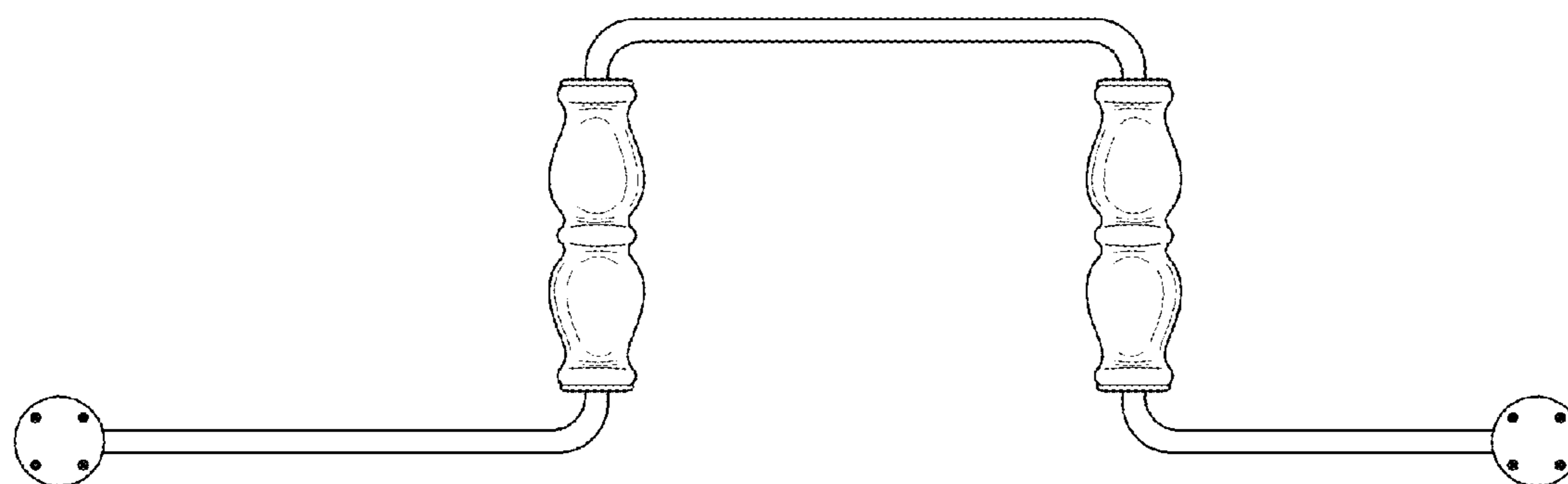


FIG. 3

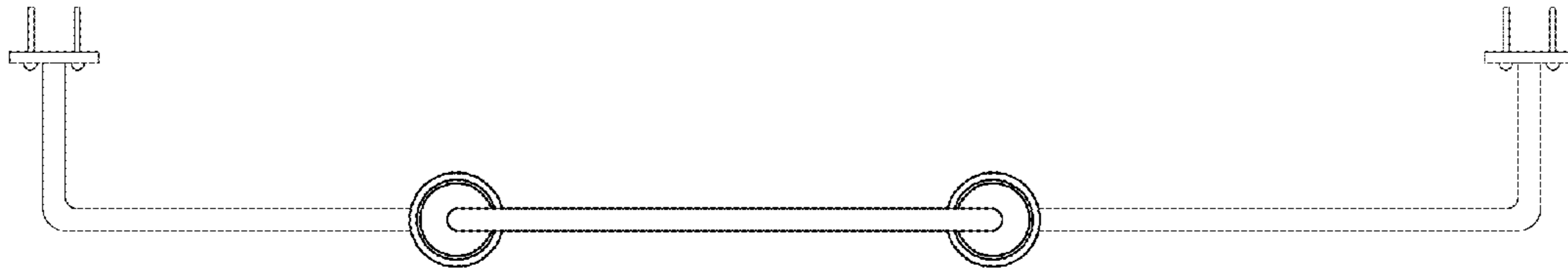


FIG. 4

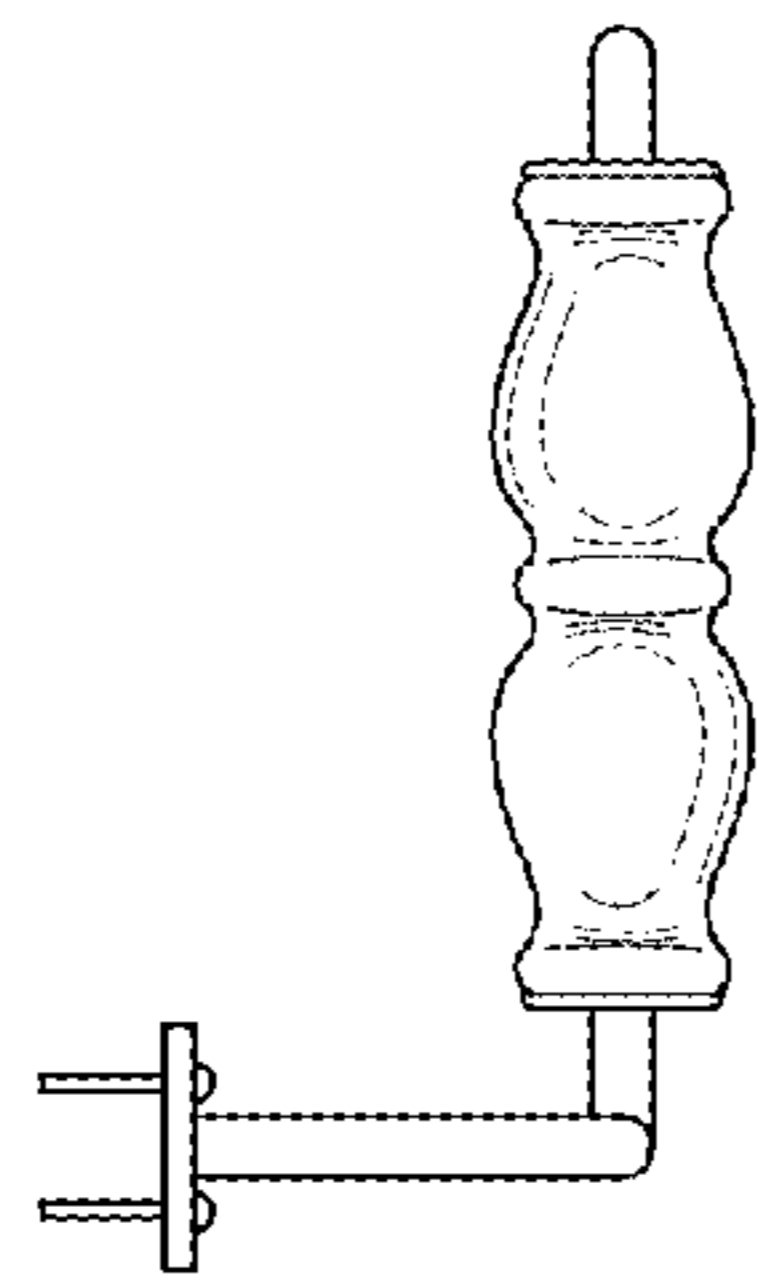


FIG. 5

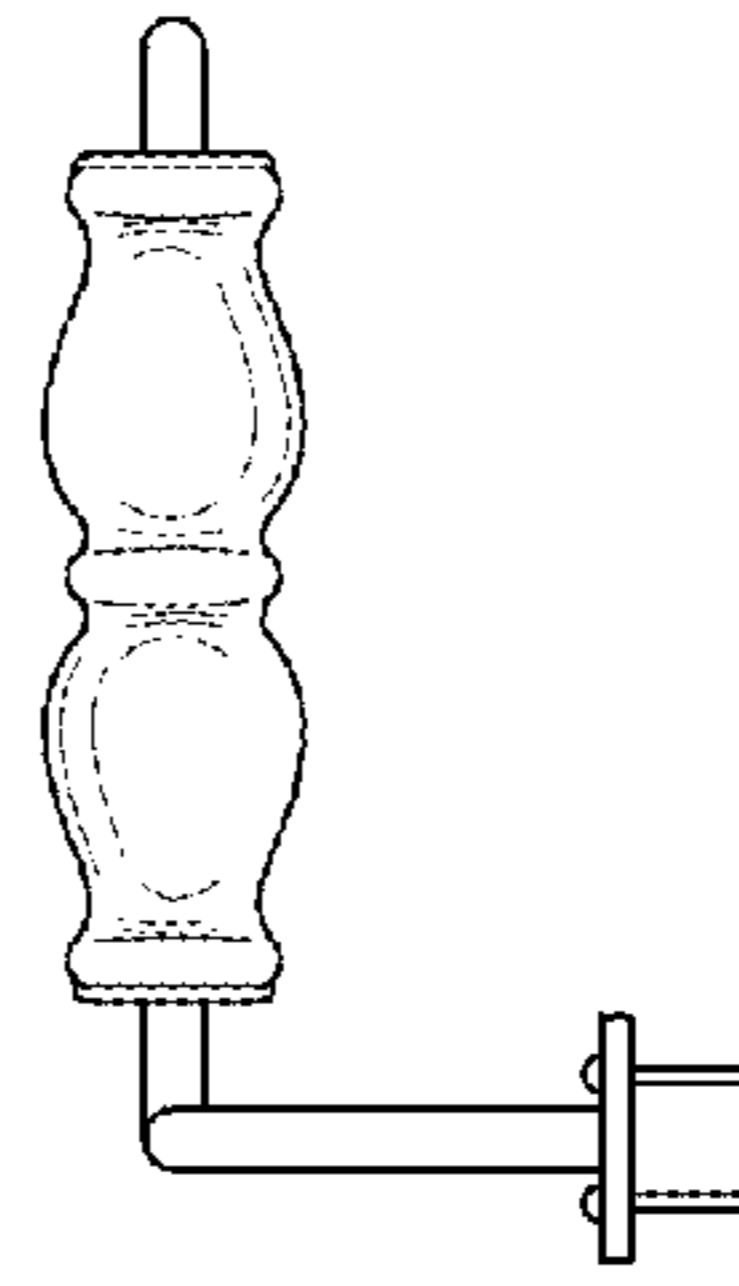


FIG. 6

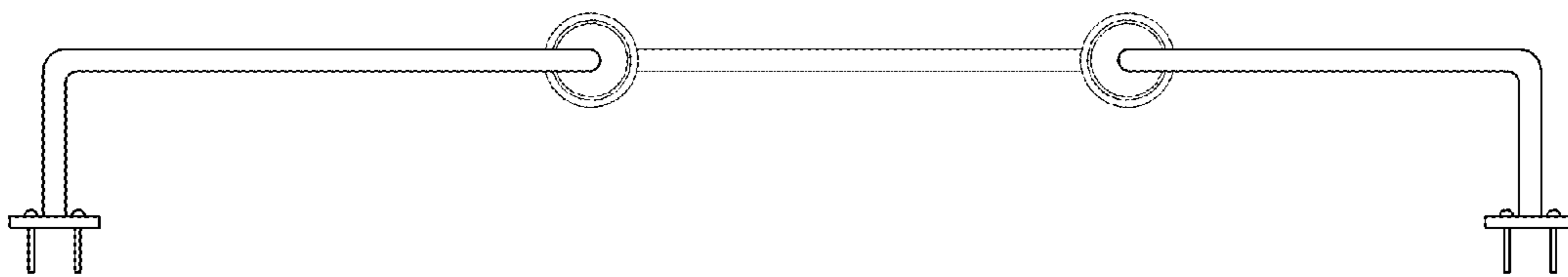


FIG. 7