



US00D690570S

(12) **United States Design Patent**  
**Tinius**

(10) **Patent No.:** **US D690,570 S**

(45) **Date of Patent:** **\*\* Oct. 1, 2013**

(54) **CHAIN SAW**

(75) Inventor: **Michael Tinius**, Ulm (DE)

(73) Assignee: **Andreas Stihl AG & Co. KG**,  
Waiblingen (DE)

(\*\*) Term: **14 Years**

(21) Appl. No.: **29/387,947**

(22) Filed: **Mar. 22, 2011**

(30) **Foreign Application Priority Data**

Dec. 20, 2010 (EM) ..... 001251086-0006

(51) **LOC (9) Cl.** ..... **08-03**

(52) **U.S. Cl.**  
USPC ..... **D8/65**

(58) **Field of Classification Search**  
USPC ..... D8/65, 7, 8, 9, 70, 66, 67, 62, 63,  
D8/64, 61, 91; 30/386, 383, 382, 371, 123,  
30/381; 125/21; D21/532; 83/832, 833,  
83/834; 123/185.3

See application file for complete search history.

(56) **References Cited**

**U.S. PATENT DOCUMENTS**

D607,292 S *	1/2010	Tinius	.....	D8/65
D607,293 S *	1/2010	Tinius	.....	D8/65
D615,836 S *	5/2010	Kosugi et al.	.....	D8/65
D633,353 S *	3/2011	Tinius	.....	D8/65

D633,766 S *	3/2011	Tinius	.....	D8/65
D636,652 S *	4/2011	Mehra	.....	D8/65
D640,111 S *	6/2011	Tinius	.....	D8/65
D641,603 S *	7/2011	Tinius	.....	D8/65
D647,773 S *	11/2011	Sugishita et al.	.....	D8/65
D649,852 S *	12/2011	Tinius	.....	D8/65
D649,853 S *	12/2011	Tinius	.....	D8/65
D658,959 S *	5/2012	Landberg	.....	D8/65
2006/0230900 A1 *	10/2006	Bergquisto	.....	83/381

\* cited by examiner

*Primary Examiner* — Austin Murphy

(74) *Attorney, Agent, or Firm* — McGuireWoods LLP

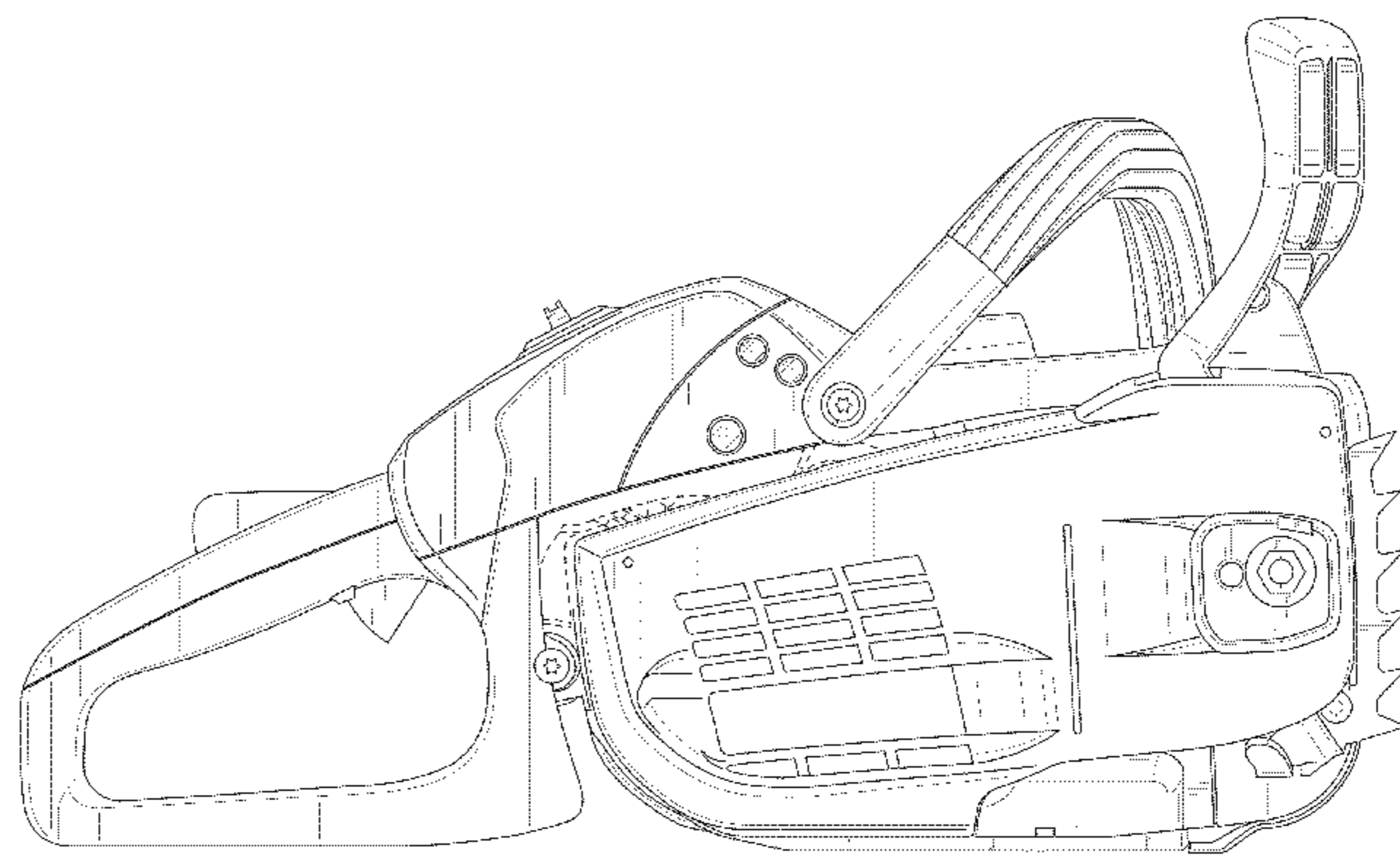
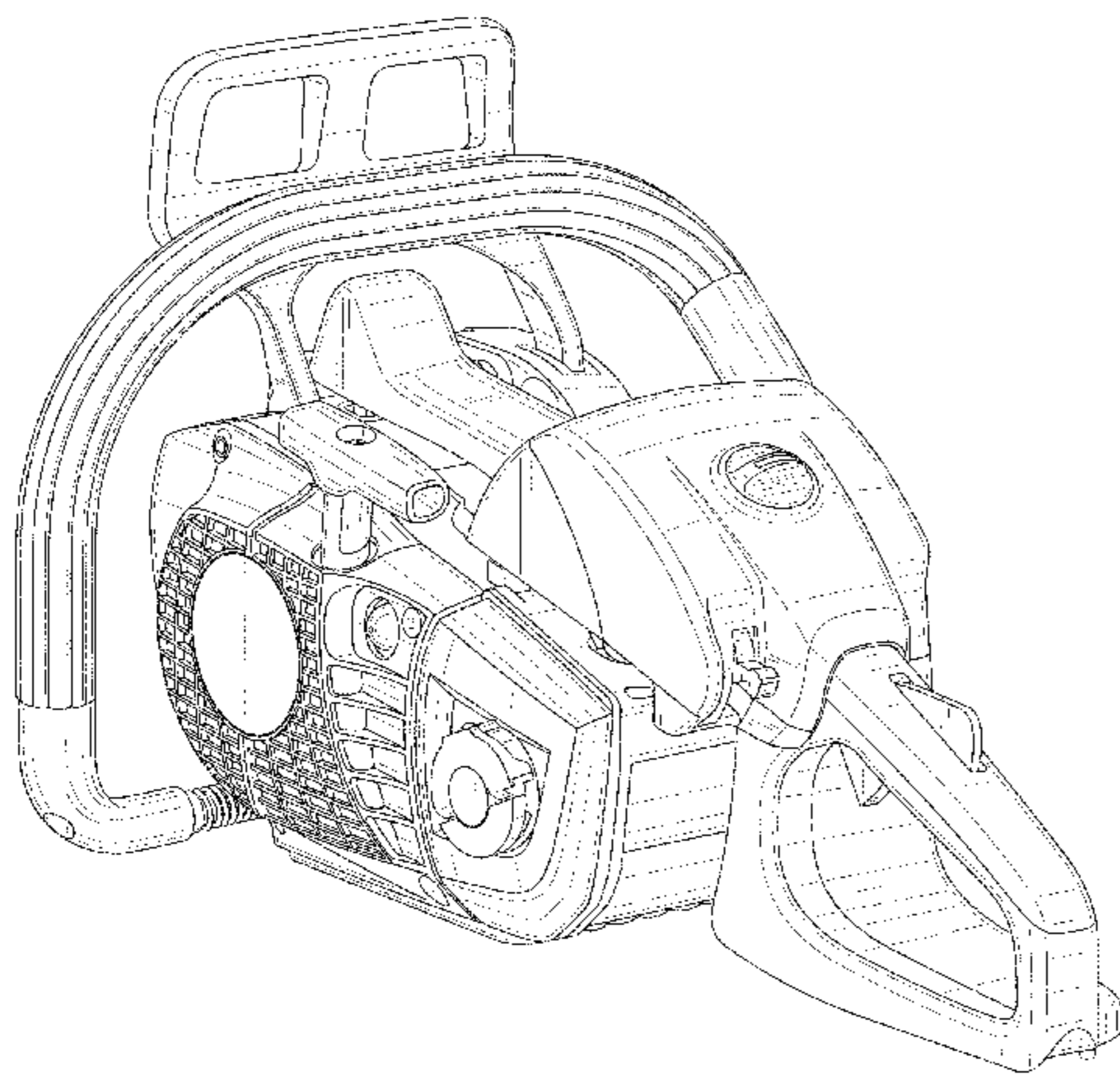
(57) **CLAIM**

I claim the ornamental design for a chain saw, as shown and described.

**DESCRIPTION**

FIG. 1 is a rear perspective view of the chain saw;  
FIG. 2 is a front view of the design shown in FIG. 1;  
FIG. 3 is a rear view of the design shown in FIG. 1;  
FIG. 4 is a right side view of the design shown in FIG. 1;  
FIG. 5 is a left side view of the design shown in FIG. 1;  
FIG. 6 is a top view of the design shown in FIG. 1; and,  
FIG. 7 is a bottom view of the design shown in FIG. 1.  
The broken lines shown in the drawings represent unclaimed portions of the chain saw and form no part of the claimed design.

**1 Claim, 7 Drawing Sheets**



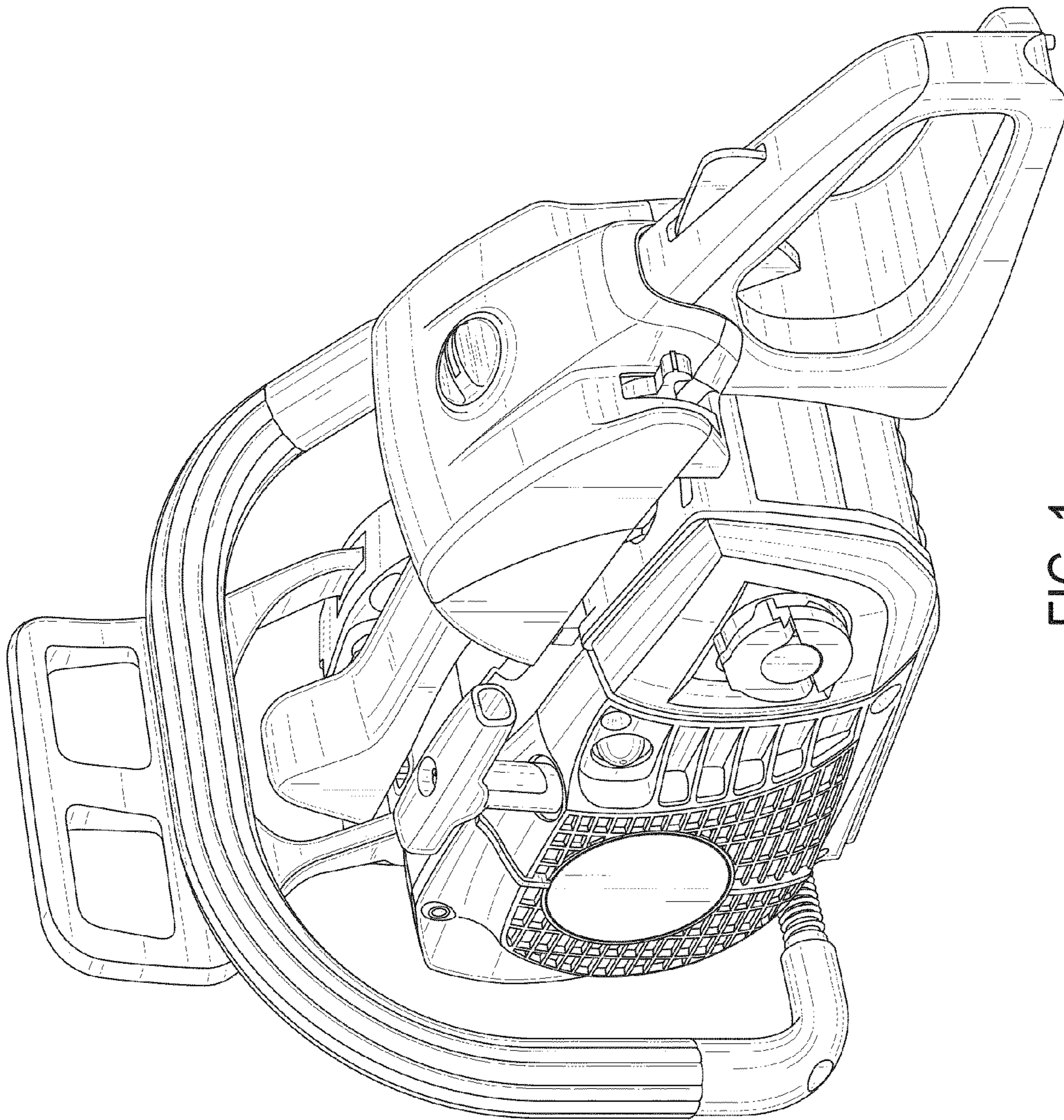


FIG. 1



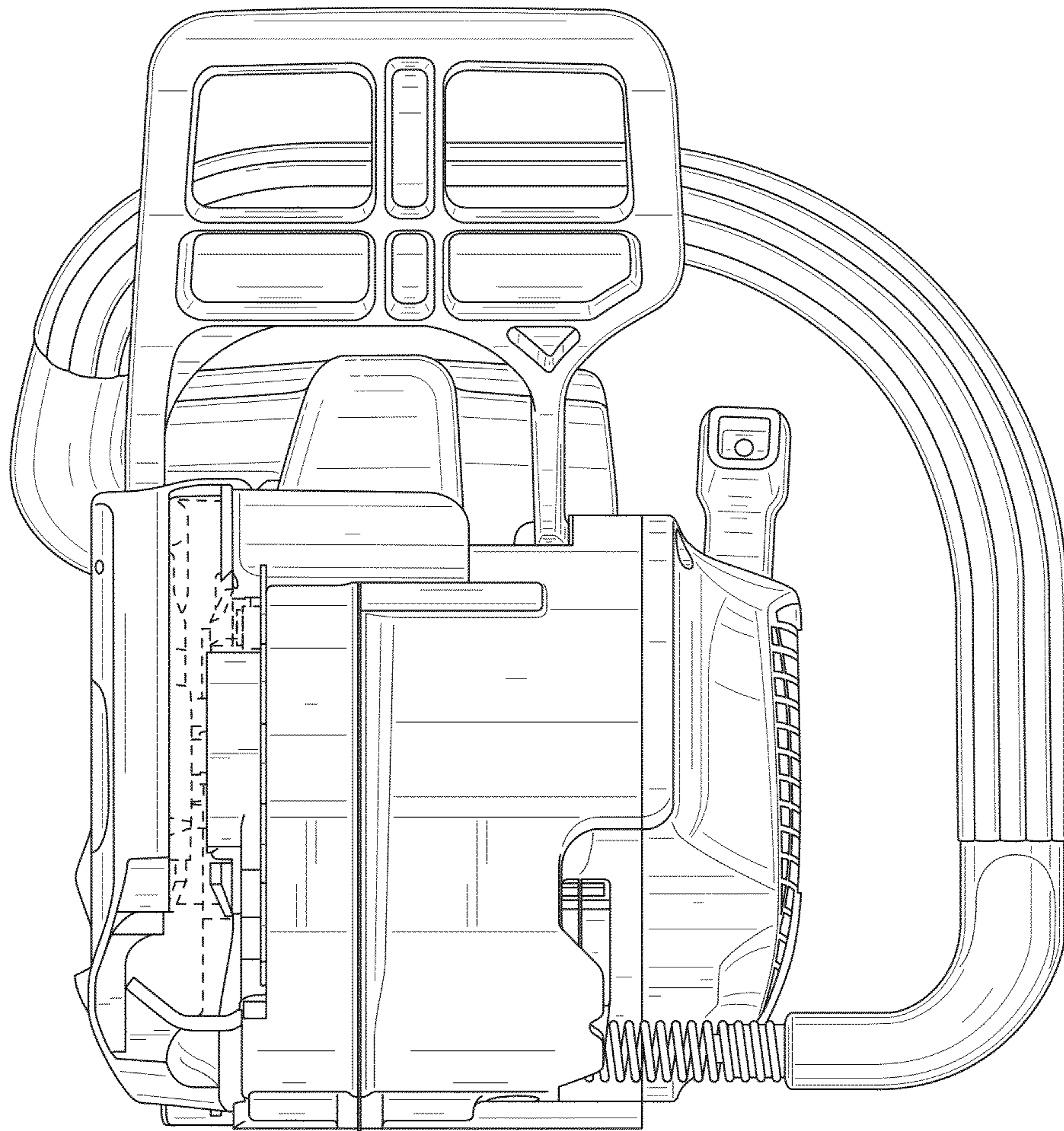


FIG. 2

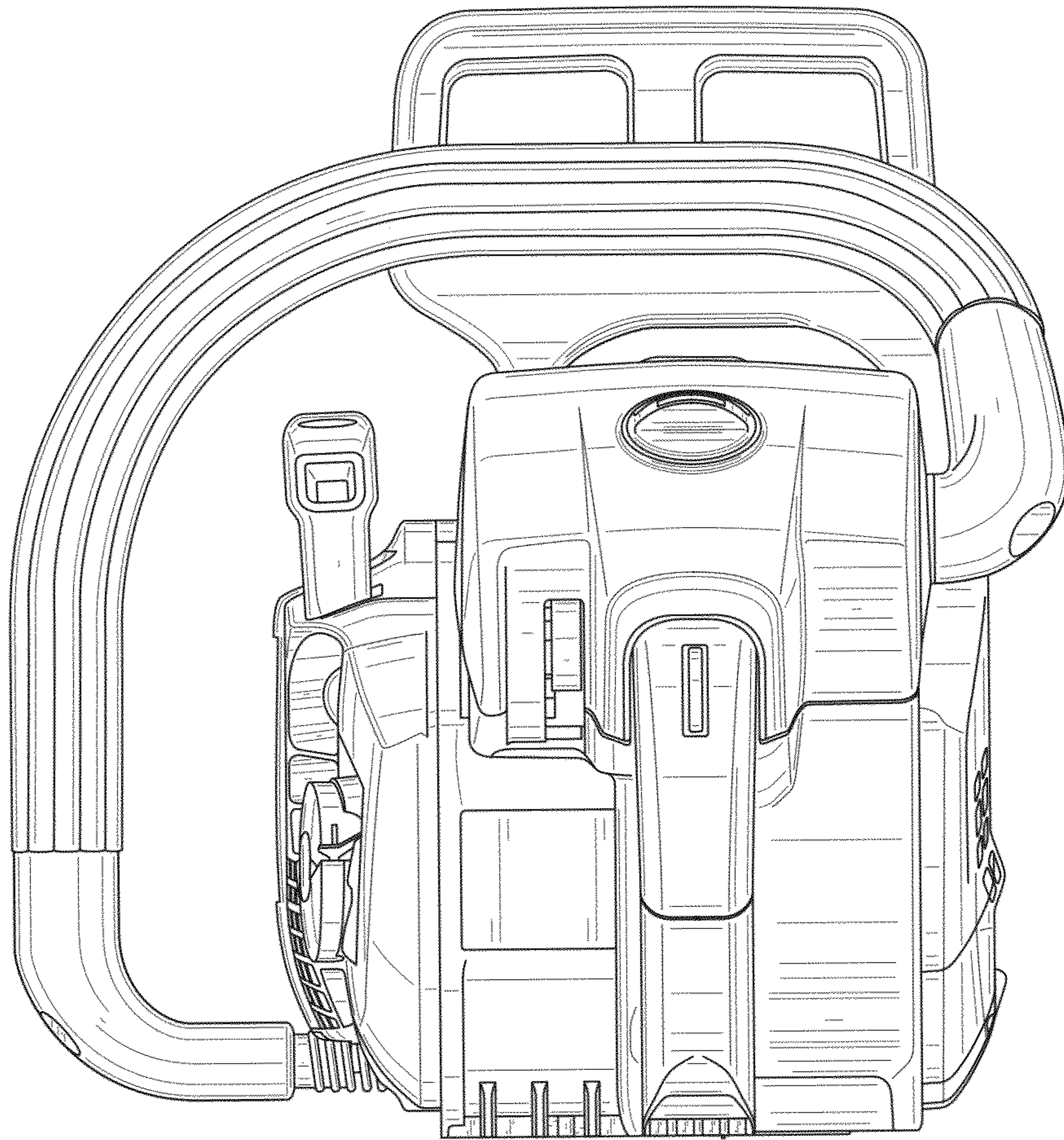


FIG. 3



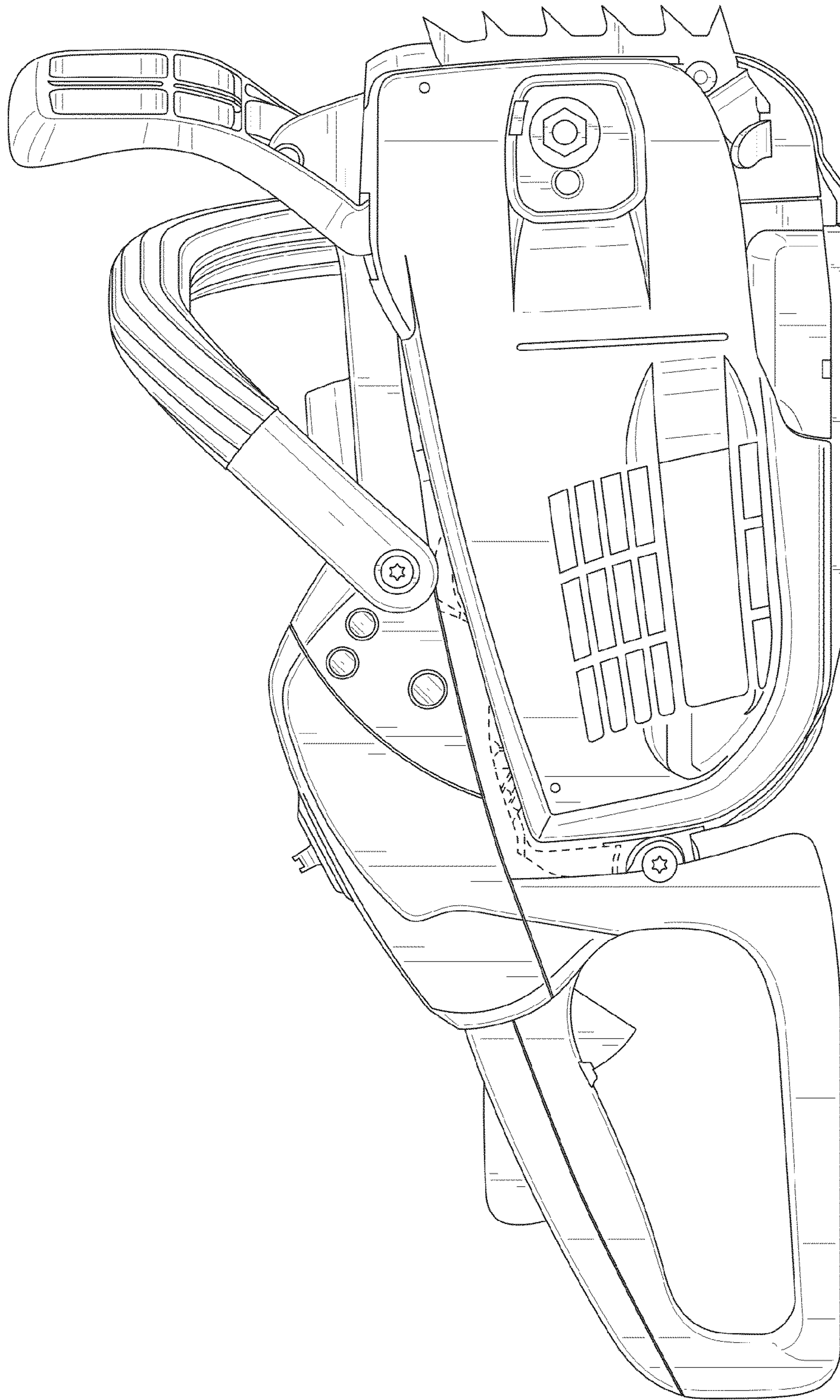


FIG. 4

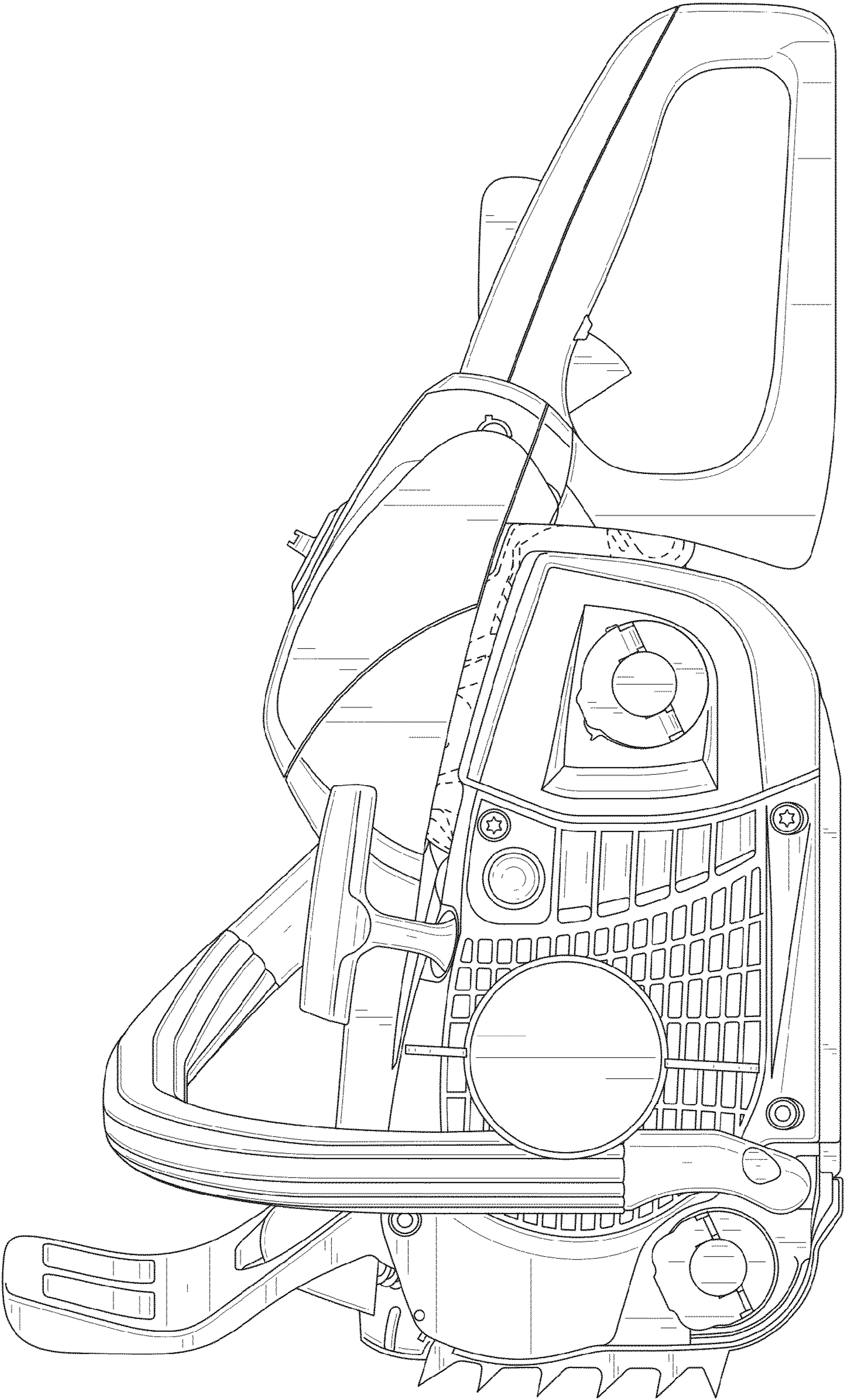


FIG. 5



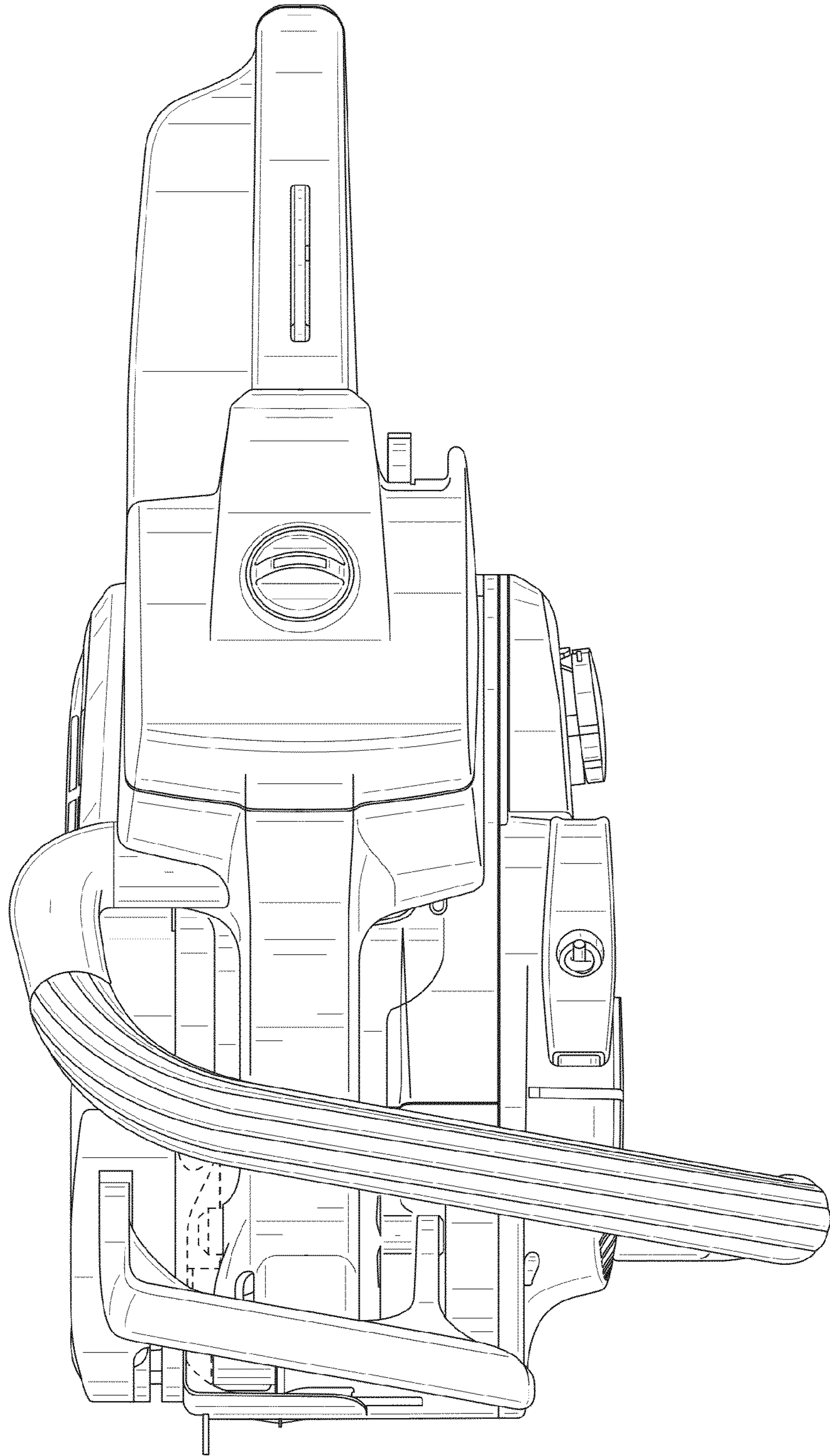


FIG. 6

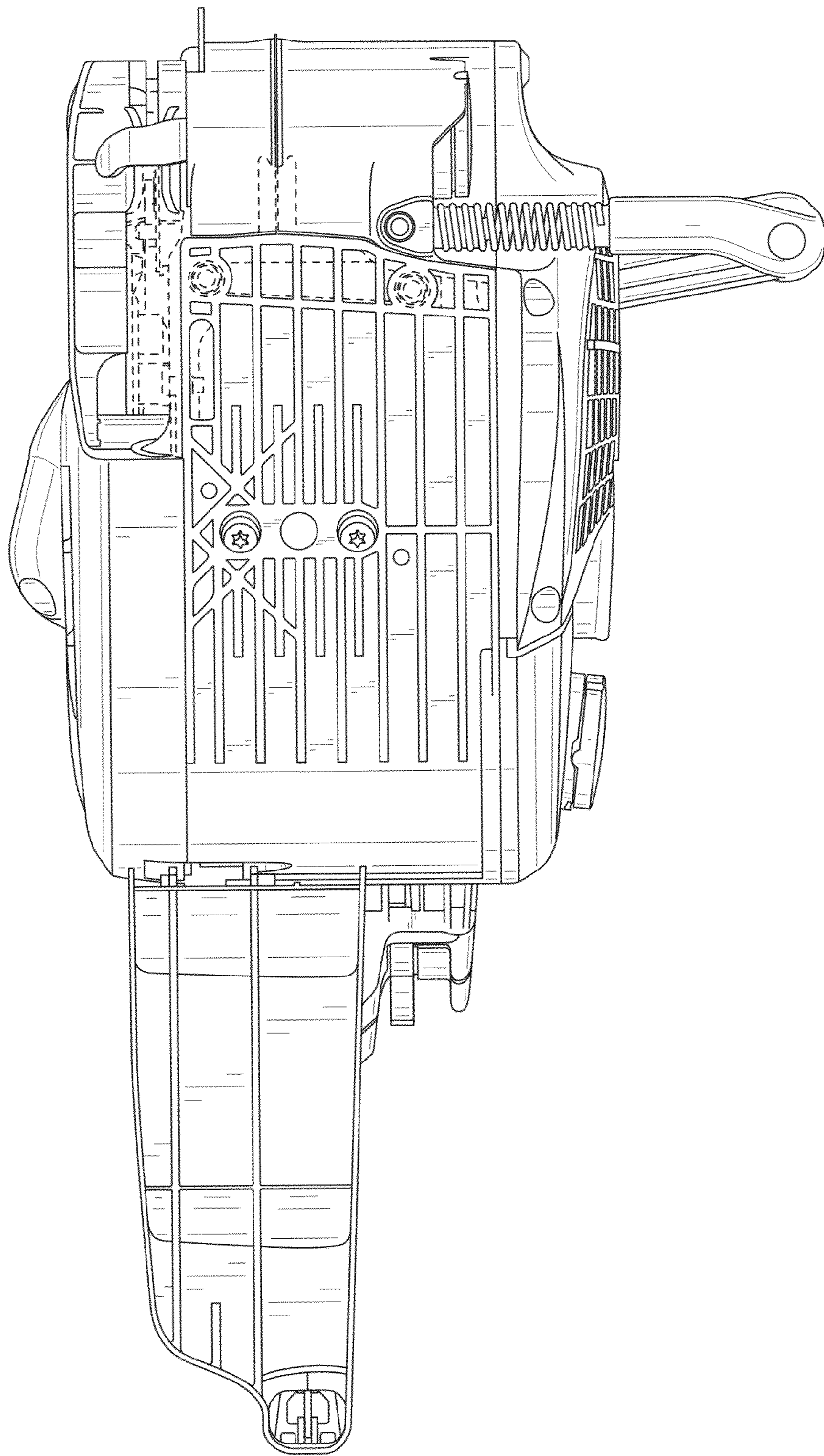


FIG. 7