



US00D690569S

(12) **United States Design Patent**
Tinius

(10) **Patent No.:** **US D690,569 S**

(45) **Date of Patent:** **** Oct. 1, 2013**

(54) **PARTIAL LOAD TRIGGER FOR A LOOP HANDLE**

(71) Applicant: **Andreas Stihl AG & Co. KG,**
Waiblingen (DE)

(72) Inventor: **Michael Tinius,** Ulm (DE)

(73) Assignee: **Andreas Stihl AG & Co. KG,**
Waiblingen (DE)

(**) Term: **14 Years**

(21) Appl. No.: **29/451,679**

(22) Filed: **Apr. 5, 2013**

(30) **Foreign Application Priority Data**

Dec. 21, 2012 (EM) 002158501-0006

(51) **LOC (9) Cl.** **08-01**

(52) **U.S. Cl.**
USPC **D8/61**

(58) **Field of Classification Search**
USPC D8/65, 7, 8, 9, 70, 66, 67, 62, 63,
D8/64, 61, 91; 30/386, 383, 382, 371, 123,
30/381; 125/21; 81/177.1, 177.4; 123/185.3;
D3/13, 16; D14/412

See application file for complete search history.

(56) **References Cited**

U.S. PATENT DOCUMENTS

D300,601 S * 4/1989 Himbert et al. D8/107
D314,664 S * 2/1991 Bonanno D3/13
D325,857 S * 5/1992 Hasegawa et al. D8/61
D372,053 S * 7/1996 Couch et al. D14/412

D378,798 S * 4/1997 Berti D8/107
D389,706 S * 1/1998 Haberlein et al. D8/8
D487,216 S * 3/2004 Arvidsson et al. D8/8
D538,613 S * 3/2007 Murray D8/61
D540,028 S * 4/2007 You D3/16
D633,352 S * 3/2011 Davison et al. D8/61
D648,997 S * 11/2011 Allan et al. D8/61
D662,800 S * 7/2012 Blythe et al. D8/61
D682,649 S * 5/2013 Aglassinger D8/61

* cited by examiner

Primary Examiner — Austin Murphy

(74) *Attorney, Agent, or Firm* — McGuireWoods LLP

(57) **CLAIM**

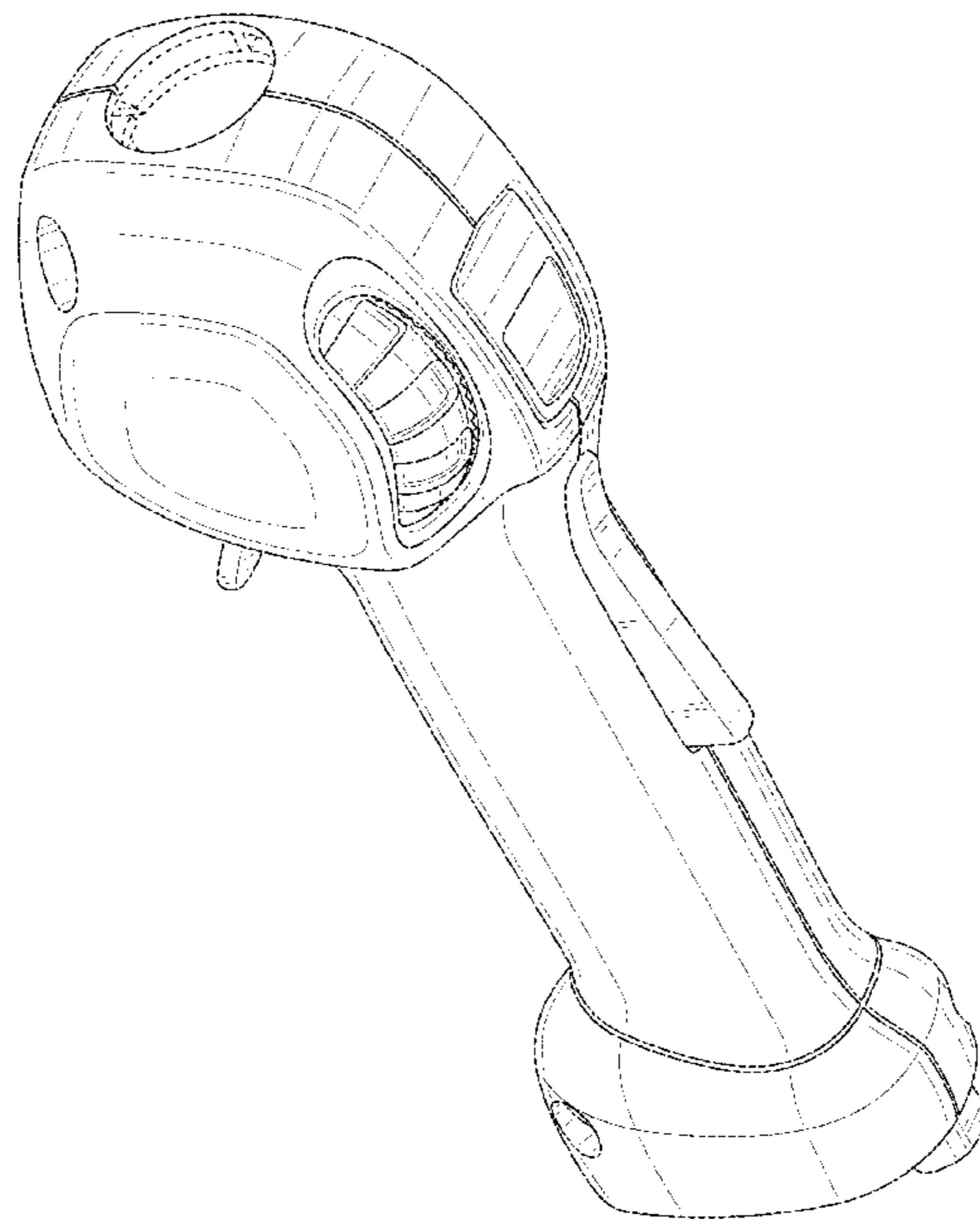
I claim the ornamental design for a partial load trigger for a loop handle, as shown and described.

DESCRIPTION

FIG. 1 is a right-rear perspective view of the partial load trigger for a loop handle;
FIG. 2 is a right side view of the partial load trigger for a loop handle shown in FIG. 1;
FIG. 3 is a left side view of the partial load trigger for a loop handle shown in FIG. 1;
FIG. 4 is a front view of the partial load trigger for a loop handle shown in FIG. 1;
FIG. 5 is a rear view of the partial load trigger for a loop handle shown in FIG. 1;
FIG. 6 is a top view of the partial load trigger for a loop handle shown in FIG. 1; and,
FIG. 7 is a bottom view of the partial load trigger for a loop handle shown in FIG. 1.

The broken lines shown in the drawings represent unclaimed portions of the partial load trigger for a handle and form no part of the claimed design.

1 Claim, 7 Drawing Sheets



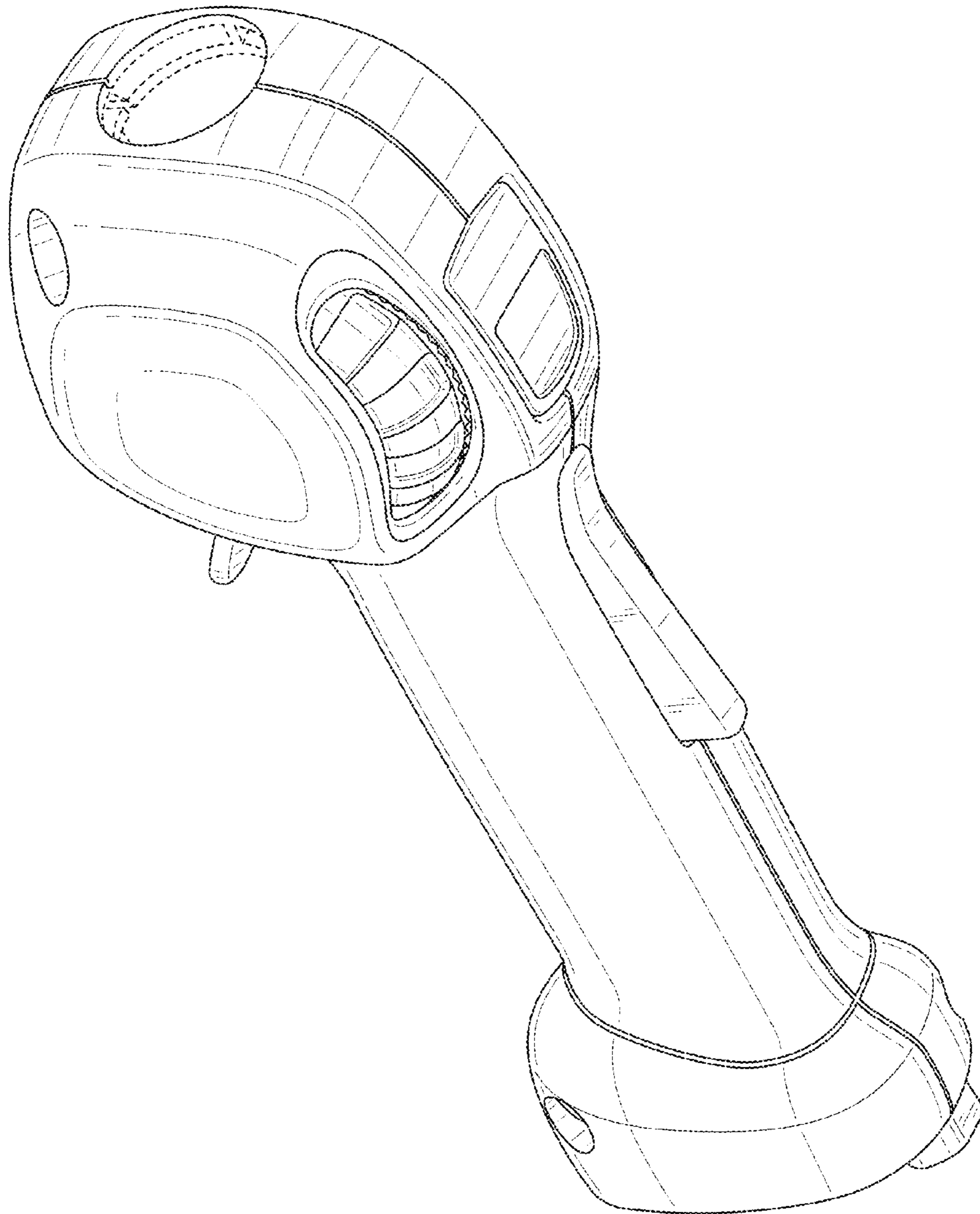


FIG. 1

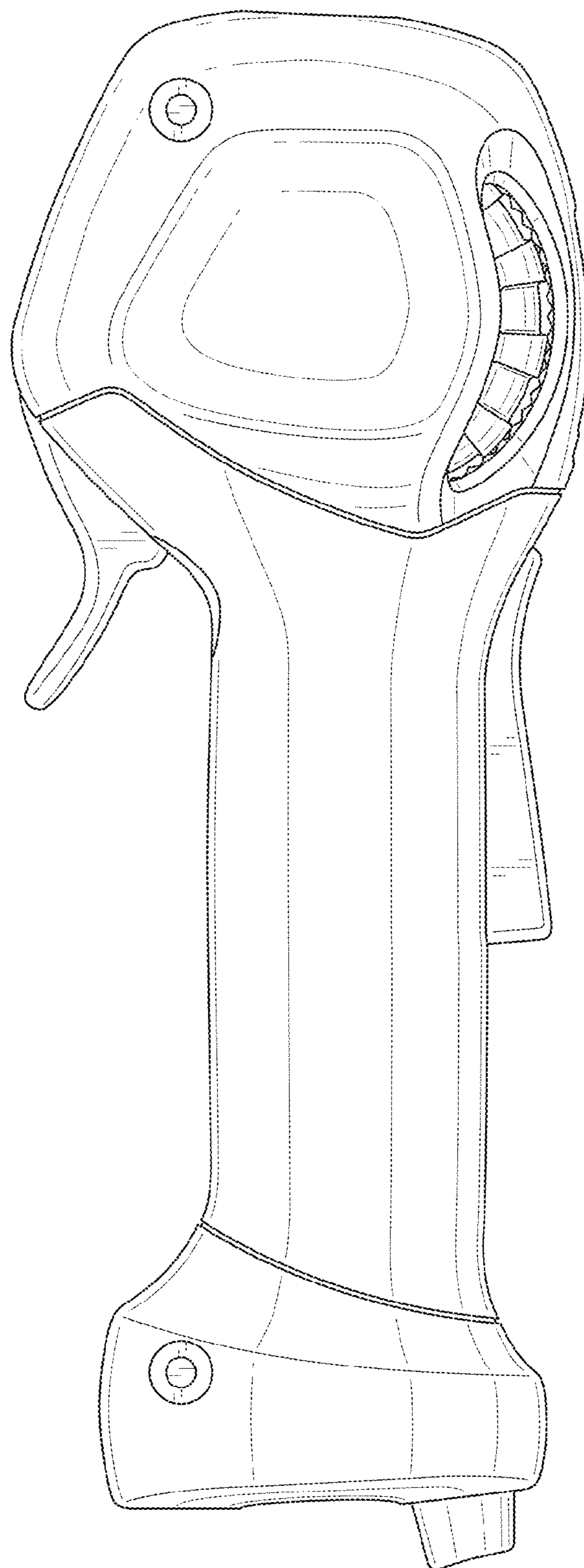


FIG. 2

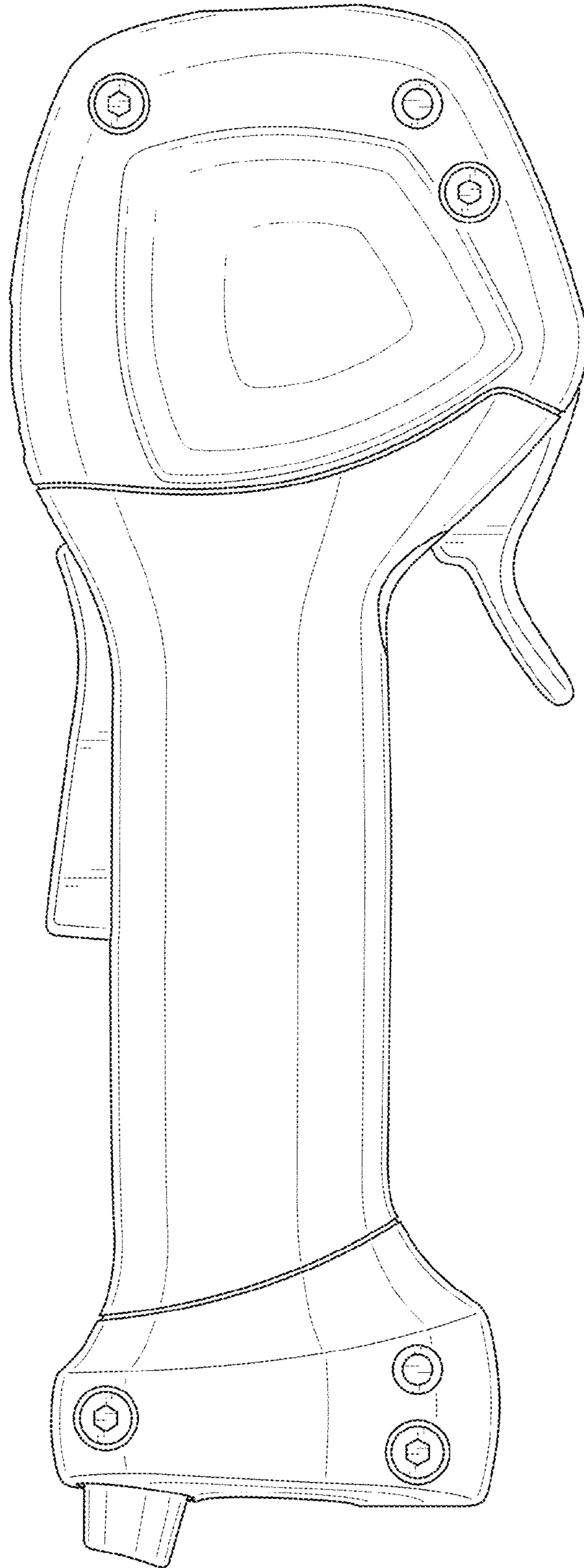


FIG. 3

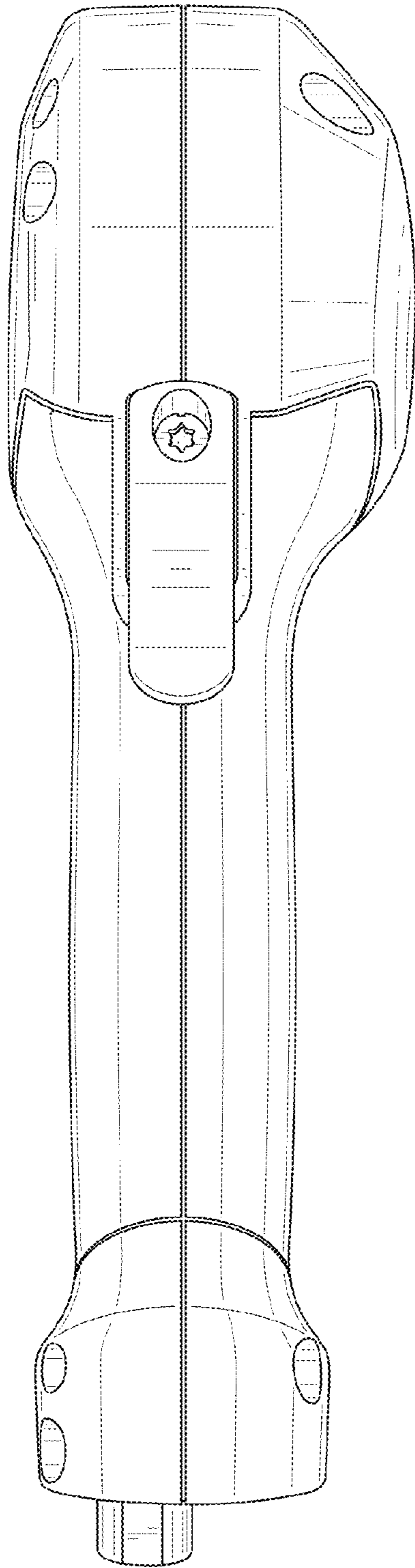


FIG. 4

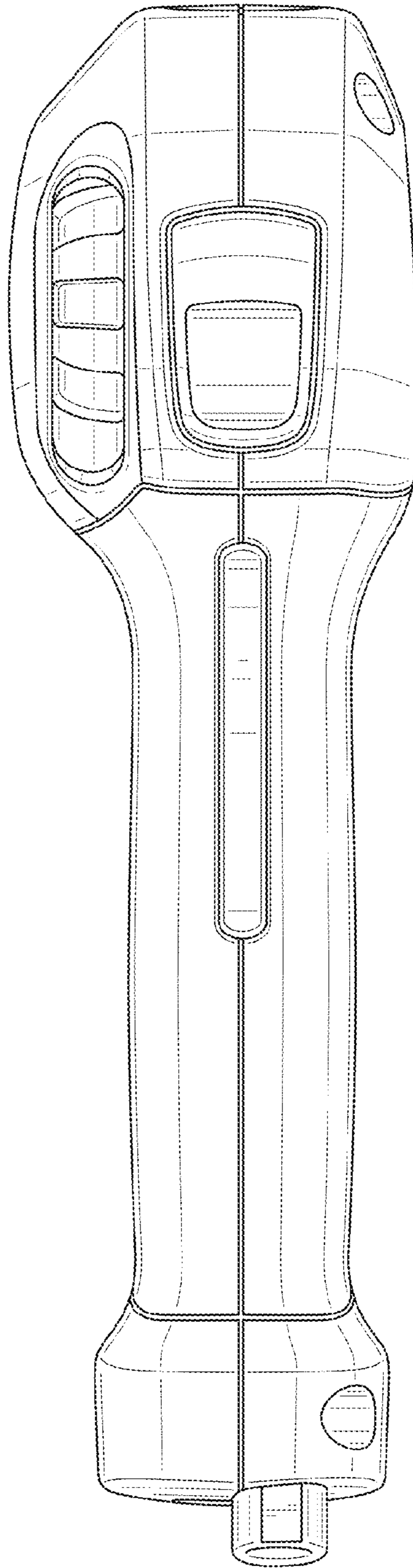


FIG. 5

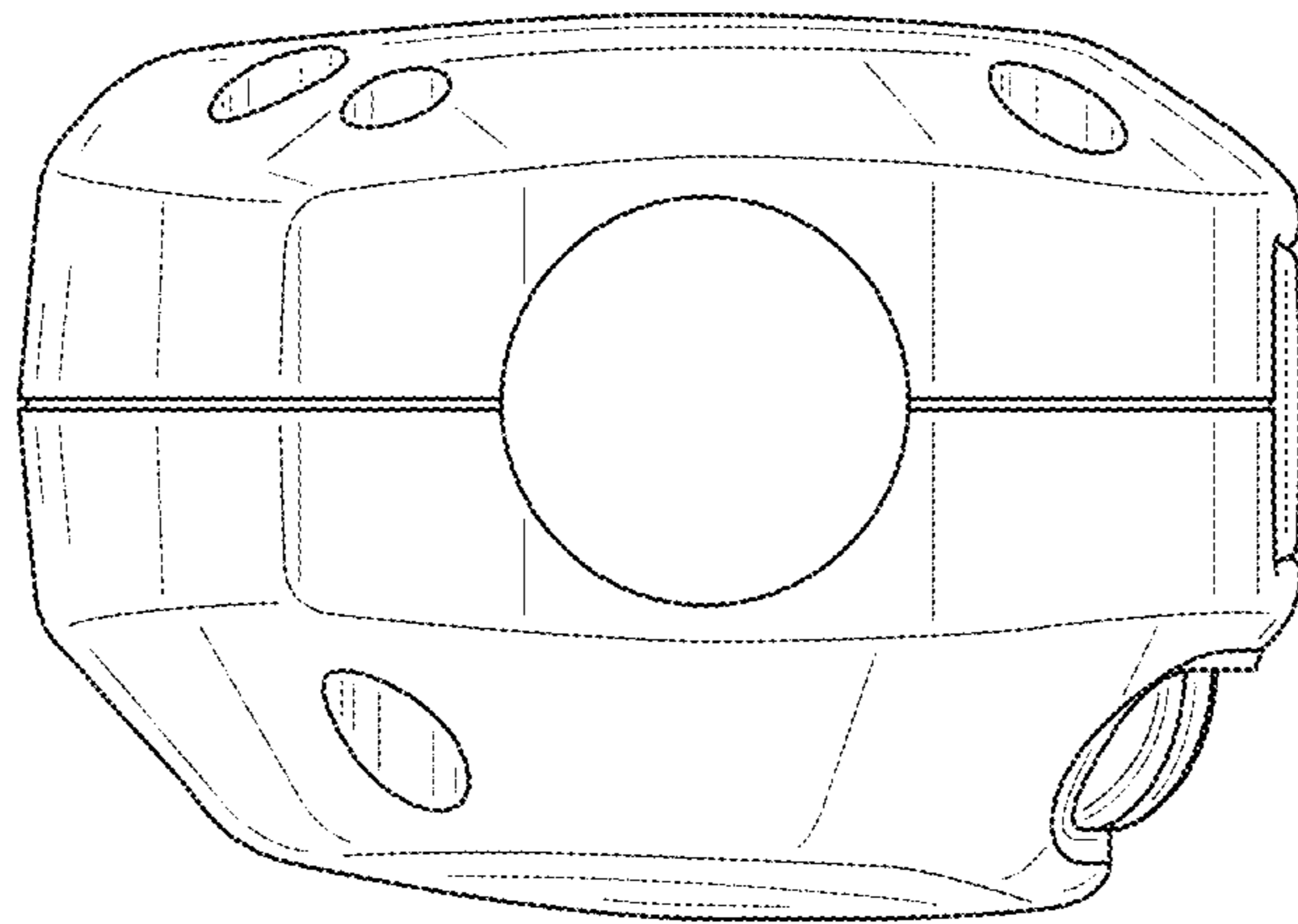


FIG. 6

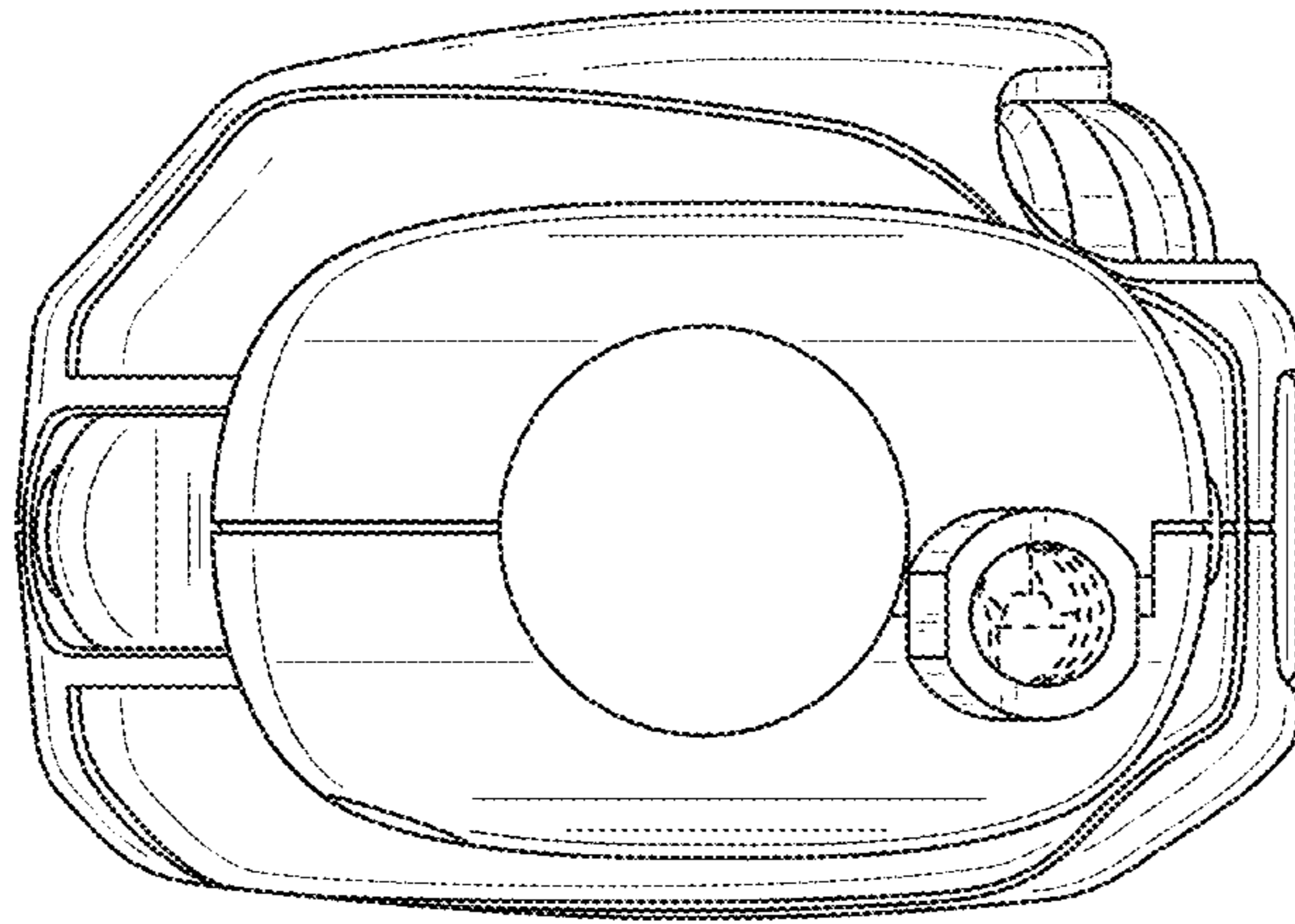


FIG. 7