

US00D690568S

(12) **United States Design Patent**  
**Macedo**

(10) **Patent No.:** **US D690,568 S**  
(45) **Date of Patent:** **\*\* Oct. 1, 2013**

(54) **FINGER MOUNTABLE PUTTY KNIFE**

(76) Inventor: **Cassie A. Macedo**, Fresno, CA (US)

(\*\*) Term: **14 Years**

(21) Appl. No.: **29/410,369**

(22) Filed: **Jan. 6, 2012**

(51) **LOC (9) Cl.** ..... **08-05**

(52) **U.S. Cl.**  
USPC ..... **D8/45**

(58) **Field of Classification Search**  
USPC ..... D8/3, 14, 45, 499; D9/415; 7/105;  
15/235.3, 235.7; 425/87, 458  
See application file for complete search history.

(56) **References Cited**

**U.S. PATENT DOCUMENTS**

D32,489	S *	4/1900	Hartley	.....	D8/3
2,179,614	A	11/1939	Cohen		
2,351,906	A *	6/1944	Beatty	.....	2/21
3,228,033	A *	1/1966	Ames et al.	.....	2/21
3,846,060	A *	11/1974	Otis	.....	425/458
3,854,368	A *	12/1974	Pogan	.....	84/319
4,127,222	A *	11/1978	Adams	.....	223/101
4,239,134	A *	12/1980	Joy	.....	223/101
4,380,425	A *	4/1983	Edelman	.....	425/458
4,617,694	A *	10/1986	Bori	.....	15/167.1
4,679,274	A *	7/1987	Friedman	.....	15/167.1
4,694,843	A *	9/1987	Casenhiser	.....	132/73
4,765,116	A *	8/1988	Shank	.....	52/747.12
4,870,712	A	10/1989	Markus		
5,018,956	A *	5/1991	Lemaster	.....	425/87
5,152,293	A *	10/1992	Vonesh et al.	.....	600/459
5,213,428	A *	5/1993	Salman	.....	401/7
5,502,863	A *	4/1996	Perkins	.....	15/227
D379,696	S	6/1997	Styles	.....	D32/35
D410,112	S	5/1999	Doyle		
D441,627	S *	5/2001	Hebert	.....	D8/45
6,305,926	B1 *	10/2001	Ray	.....	425/458
D459,478	S *	6/2002	Perricone	.....	D24/200
D485,072	S *	1/2004	Brown-Paschal	.....	D4/103

D492,117	S *	6/2004	Sarkar et al.	.....	D4/103
D494,369	S *	8/2004	McDevitt et al.	.....	D4/103
7,016,724	B2 *	3/2006	Henley et al.	.....	604/20
D569,510	S *	5/2008	Poll et al.	.....	D24/135
D569,511	S *	5/2008	Poll et al.	.....	D24/135
D636,887	S *	4/2011	Nan	.....	D24/215
8,011,918	B2 *	9/2011	Erickson et al.	.....	425/458
D646,391	S *	10/2011	Ibuki et al.	.....	D24/165

(Continued)

**OTHER PUBLICATIONS**

Fingertip Tools. Reprint from Modern Mechanix, Jul. 1937. Snagged Oct. 3, 2012 at <http://blog.modernmechanix.com/small-utility-tools-are-attachedto-finger-tips/>.\*

*Primary Examiner* — Philip S Hyder  
*Assistant Examiner* — Roselynn Cody  
(74) *Attorney, Agent, or Firm* — Montgomery Patent & Design; Robert C. Montgomery

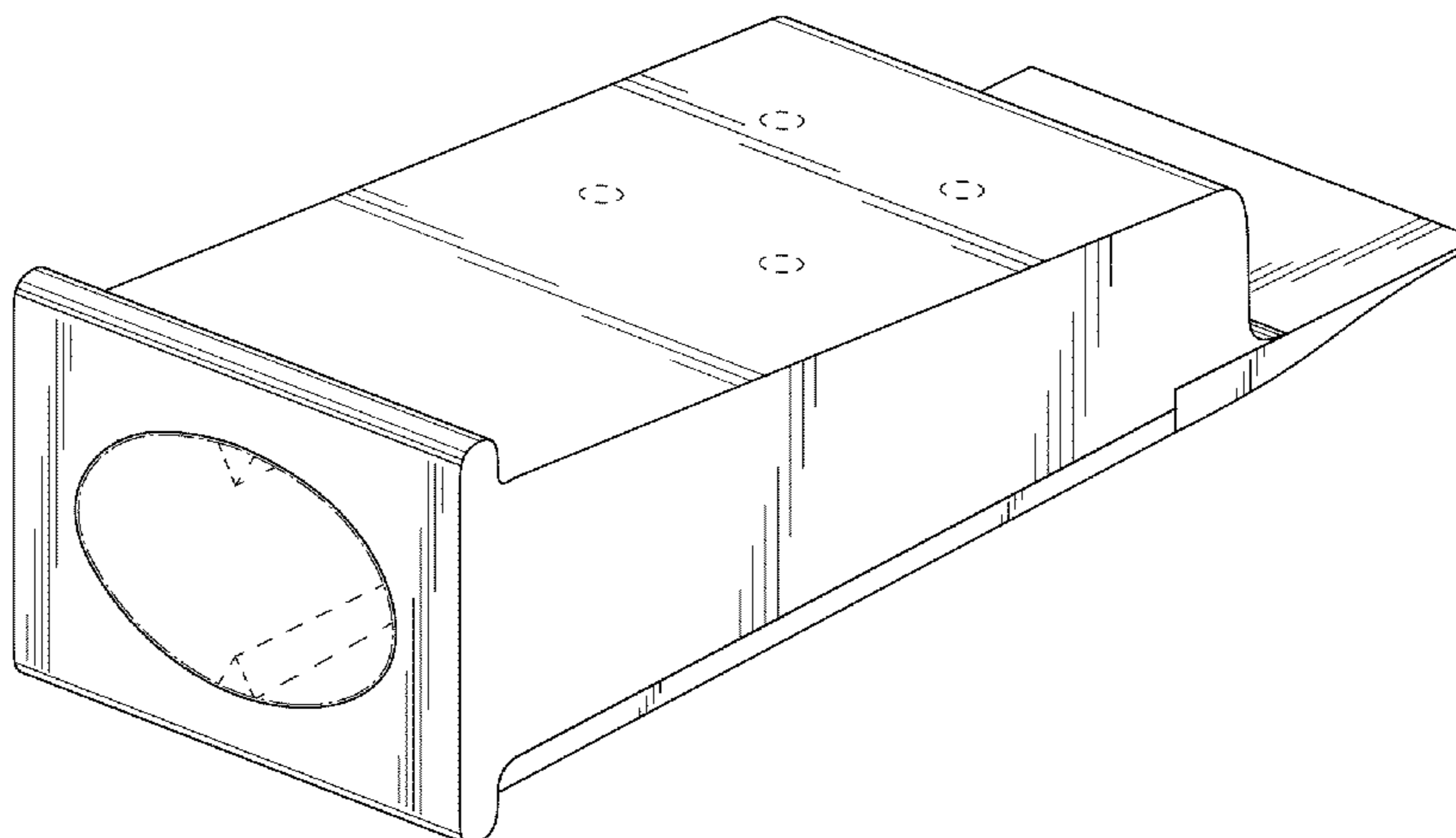
(57) **CLAIM**

The ornamental design for a finger mountable putty knife, as shown and described.

**DESCRIPTION**

FIG. 1 is a perspective view of a finger mountable putty knife, showing my new design;  
FIG. 2 is a front view thereof;  
FIG. 3 is a rear view thereof;  
FIG. 4 is a left side view thereof with a right side view being a mirror image;  
FIG. 5 is a top view thereof; and,  
FIG. 6 is a bottom view thereof.  
The broken lines immediately surrounding the open interior region indicate the bounds of the claimed design, while the broken line showing of top openings, triangular prism-shaped members, an open interior region, and a far surface are for the purpose of illustrating portions of the article and form no part of the claimed design.

**1 Claim, 5 Drawing Sheets**



# US D690,568 S

Page 2

---

(56)

## References Cited

### U.S. PATENT DOCUMENTS

2005/0251942	A1 *	11/2005	Gunnarsson .....	15/227	2010/0037414	A1 *	2/2010	Dimos .....	15/245.1
2006/0037165	A1 *	2/2006	McDevitt et al. ....	15/227	2010/0229318	A1	9/2010	Sparks	
2007/0118947	A1 *	5/2007	Lorenzo .....	2/21	2010/0306947	A1	12/2010	White	
					2011/0208111	A1 *	8/2011	Henley et al. ....	604/20
					2012/0137403	A1 *	6/2012	Bone et al. ....	2/163

\* cited by examiner

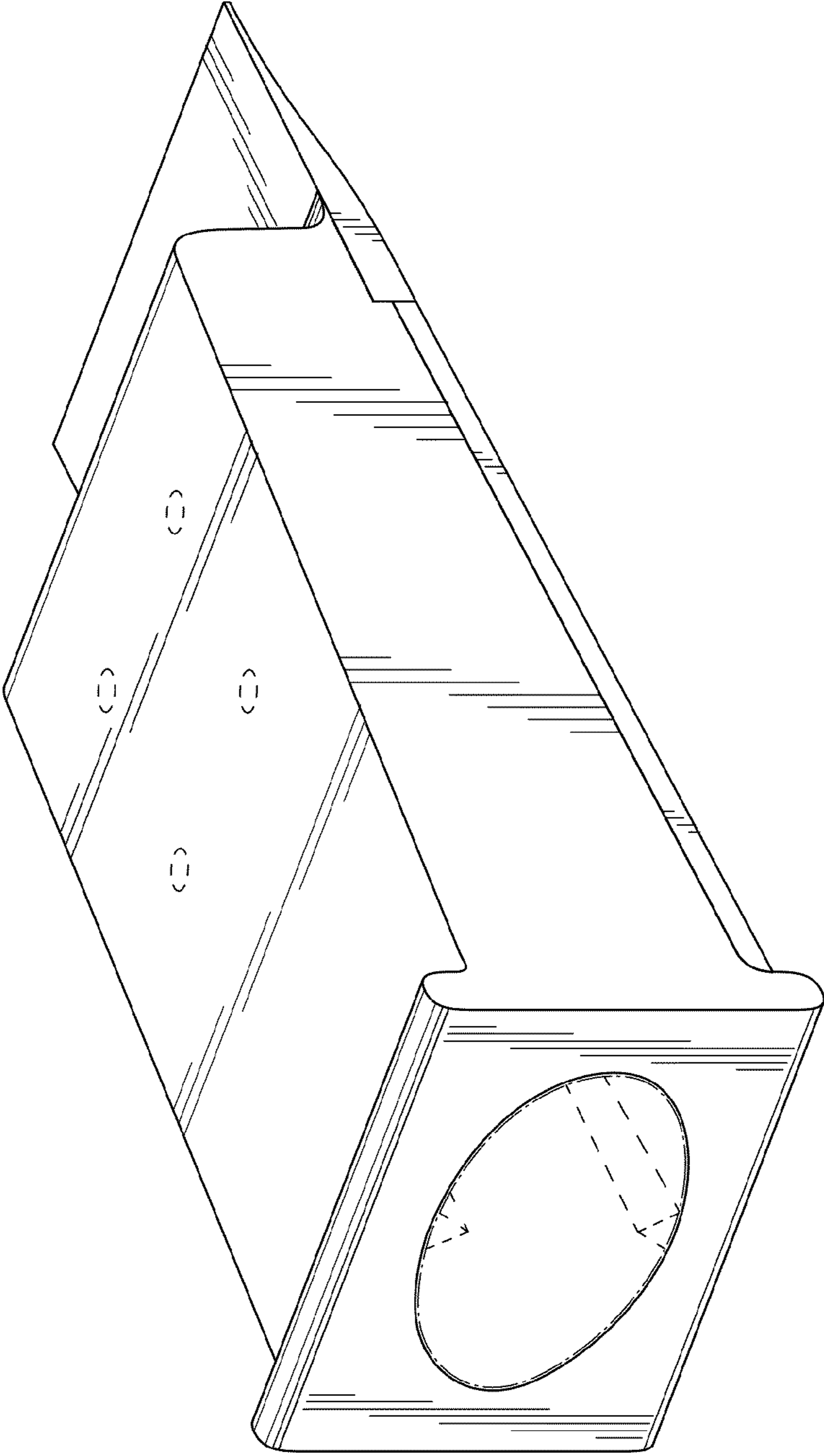


Fig. 1

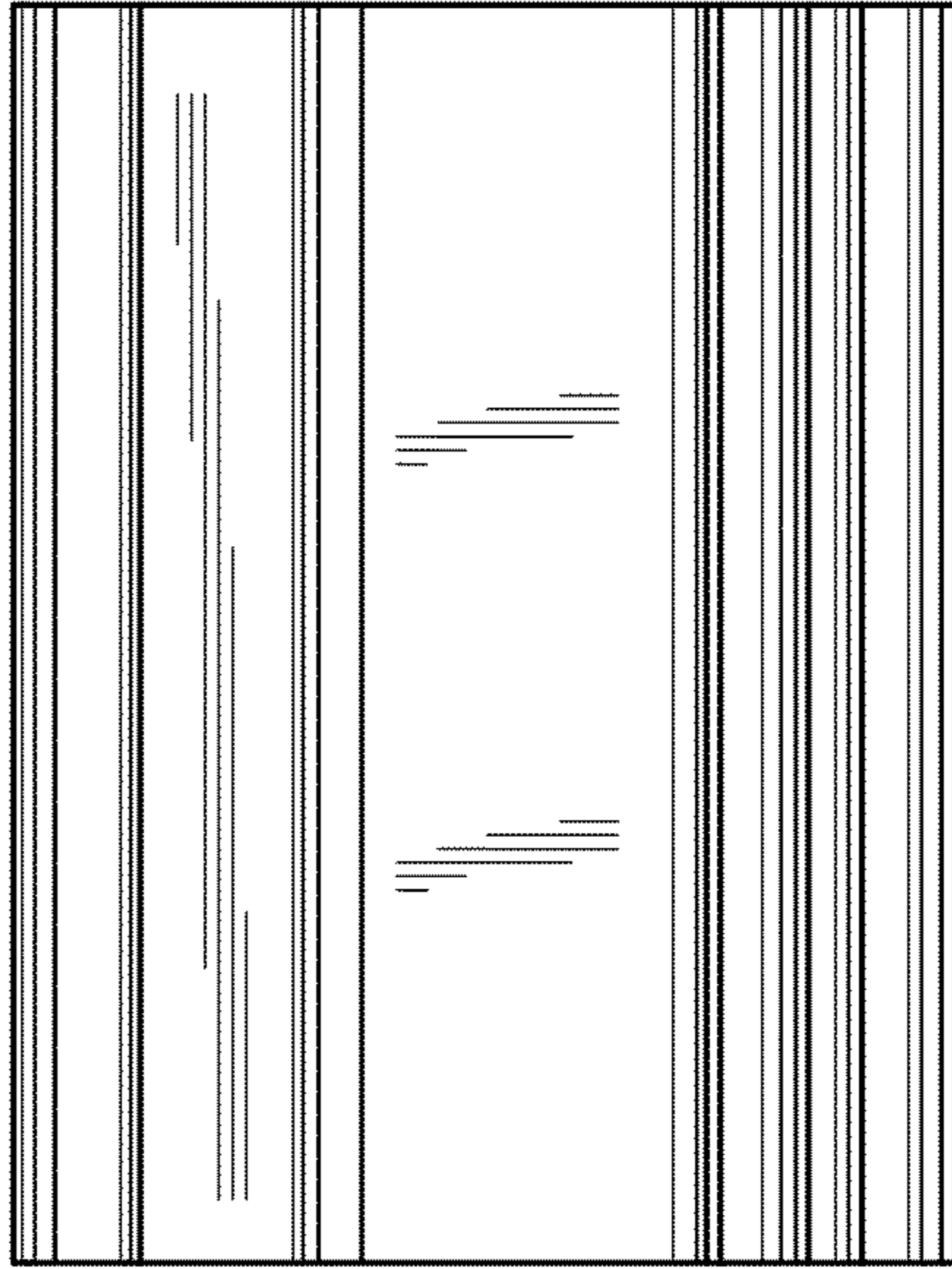


Fig. 3

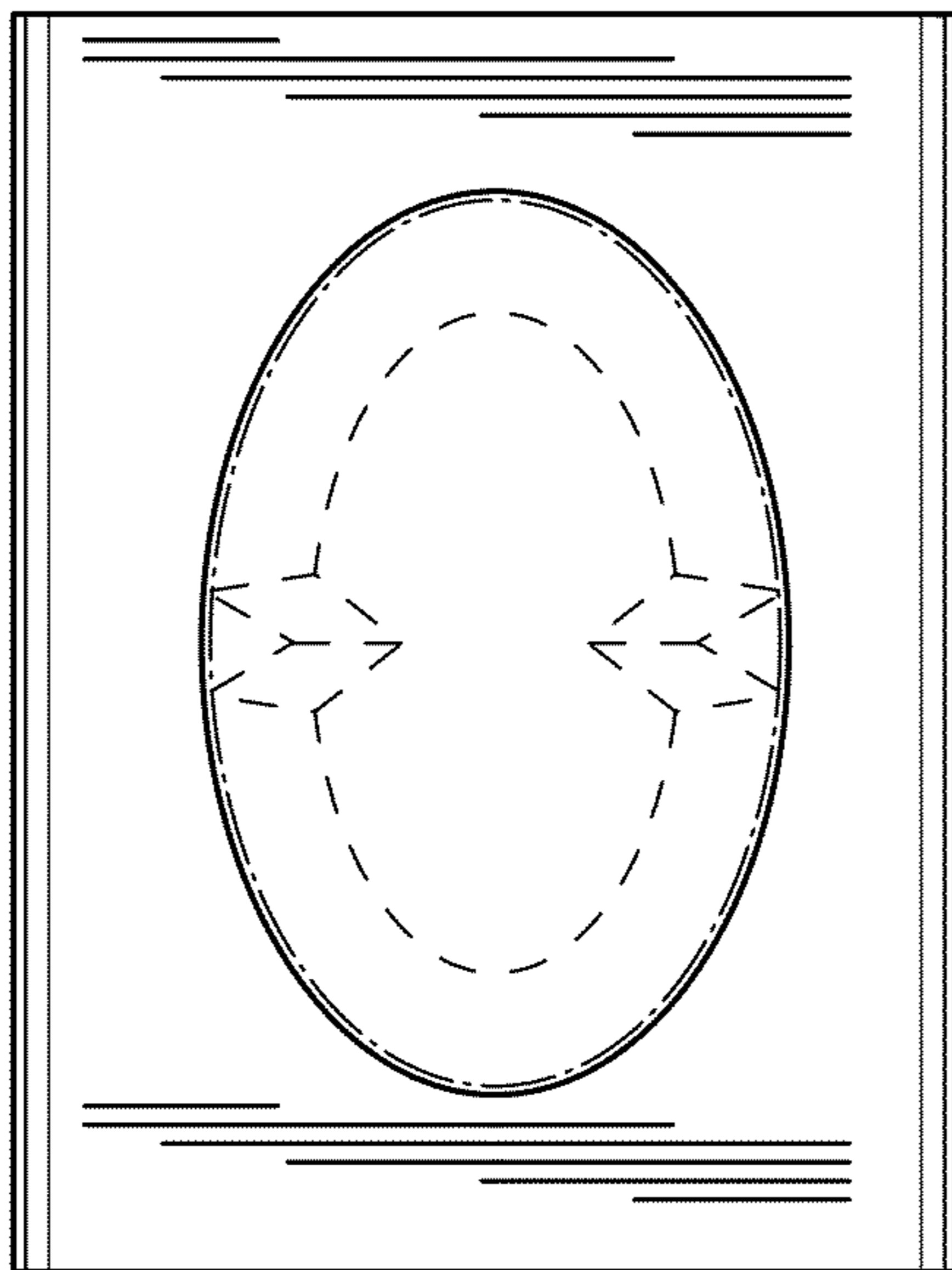


Fig. 2

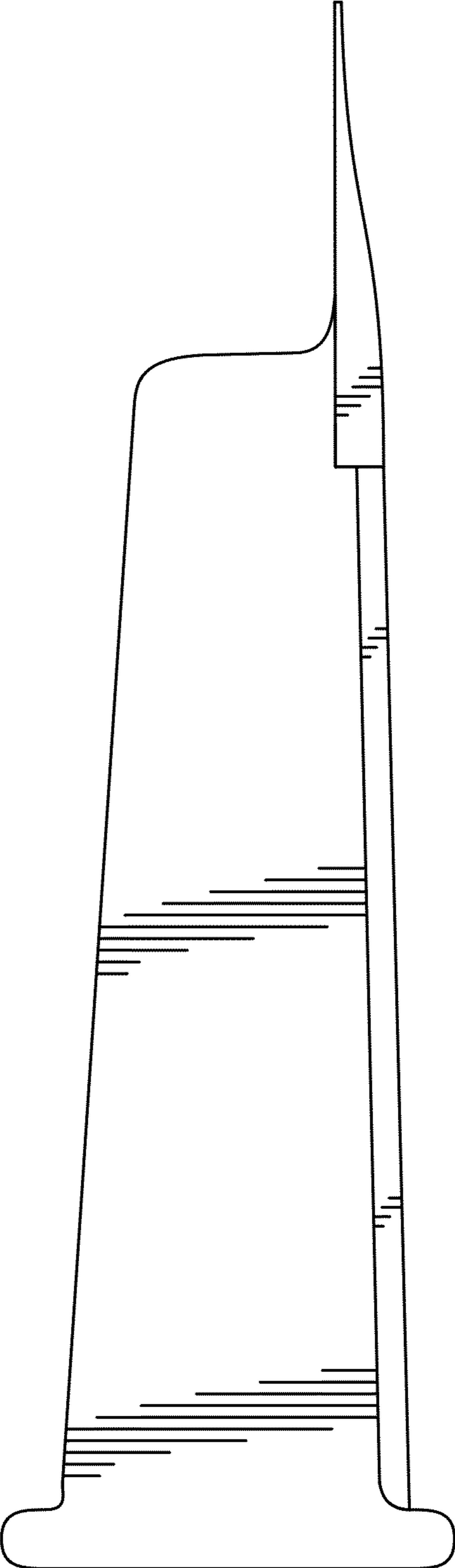


Fig. 4

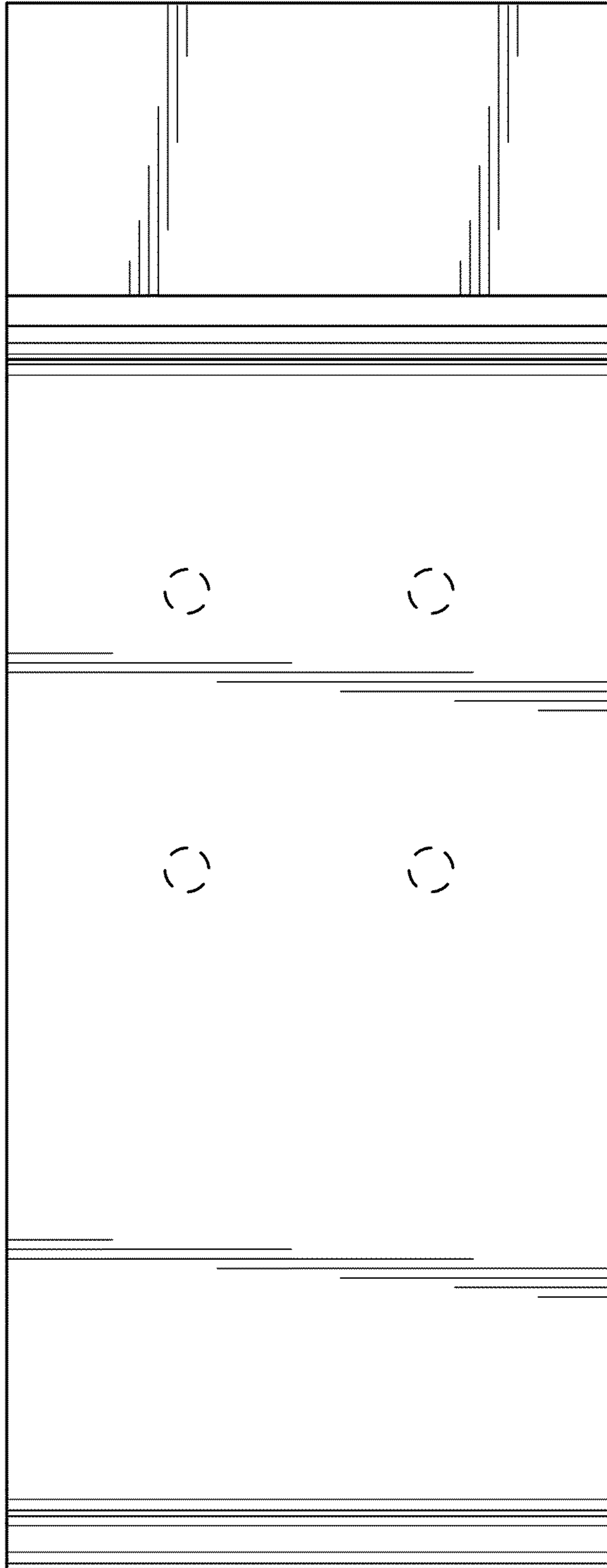


Fig. 5

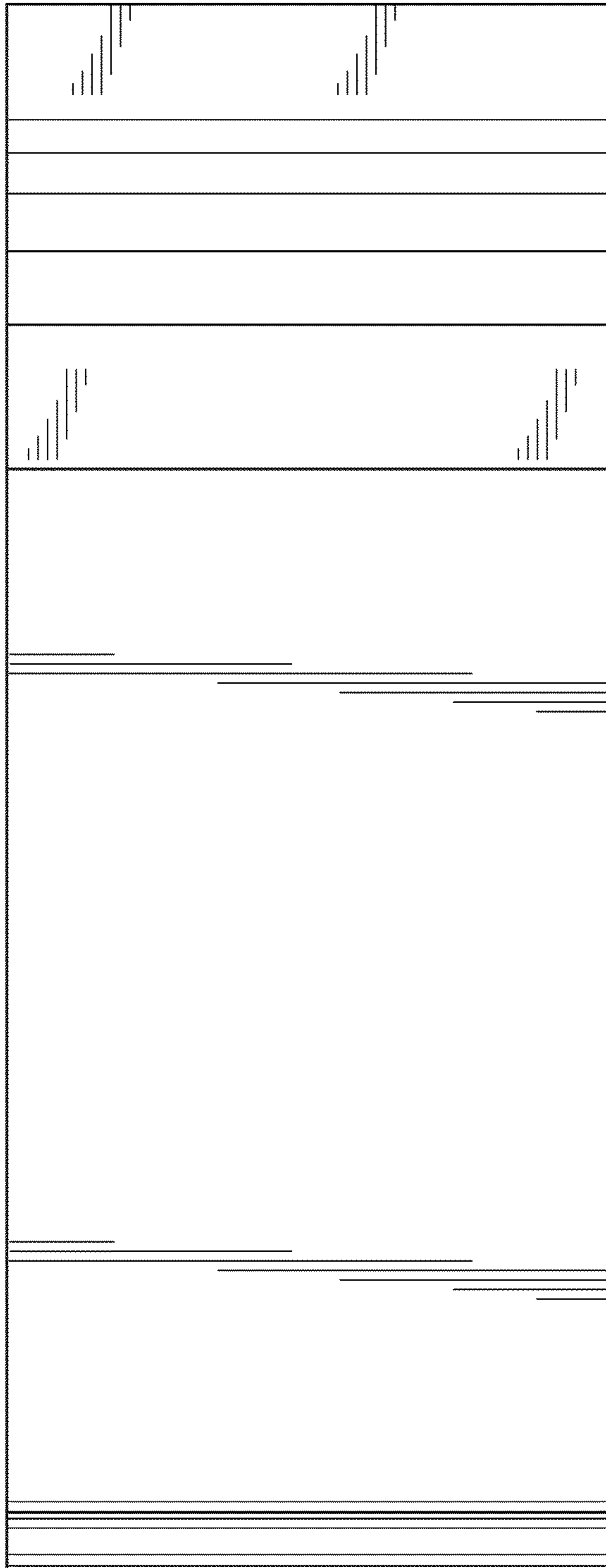


Fig. 6