



US00D690566S

(12) **United States Design Patent**
Bernheim

(10) **Patent No.:** **US D690,566 S**
(45) **Date of Patent:** **** Oct. 1, 2013**

(54) **CUTTING BOARD**

(71) Applicant: **Joshua Bernheim**, Carlsbad, CA (US)

(72) Inventor: **Joshua Bernheim**, Carlsbad, CA (US)

(**) Term: **14 Years**

(21) Appl. No.: **29/444,156**

(22) Filed: **Jan. 26, 2013**

(51) **LOC (9) Cl.** **07-04**

(52) **U.S. Cl.**
USPC **D7/698**

(58) **Field of Classification Search**

USPC D7/354, 357-360, 368, 388, 392.1,
D7/396.1, 409, 412, 504-505, 549, 550.1,
D7/552.1-552.2, 553.1, 553.5, 553.8, 554.3-554.4,
D7/555, 586, 629, 637, 673, 698-699; D9/434;
D23/393; D30/199; 99/324, 357, 446-450;
206/315.9; 269/13-16, 54.5, 87.2, 289 R,
269/302.1, 575

See application file for complete search history.

(56) **References Cited**

U.S. PATENT DOCUMENTS

D283,777 S * 5/1986 Morin D7/698
D293,999 S * 2/1988 Grindrod et al. D7/359

4,930,759 A * 6/1990 Potter et al. 269/54.5
D336,406 S * 6/1993 Wytiuk D7/504
D379,138 S * 5/1997 Carlson D7/629
D382,776 S * 8/1997 McLeod D7/698
D383,042 S * 9/1997 Lach D7/698
D458,538 S * 6/2002 Hayes et al. D9/434
6,648,138 B1 * 11/2003 Kelly 206/315.9
D591,013 S * 4/2009 Mose D30/199
D651,043 S * 12/2011 Sarnoff et al. D7/409
D654,162 S * 2/2012 Sykes D23/393
D678,010 S * 3/2013 Sudmalis D7/698

* cited by examiner

Primary Examiner — Ricky Pham

(74) *Attorney, Agent, or Firm* — Steven W. Webb

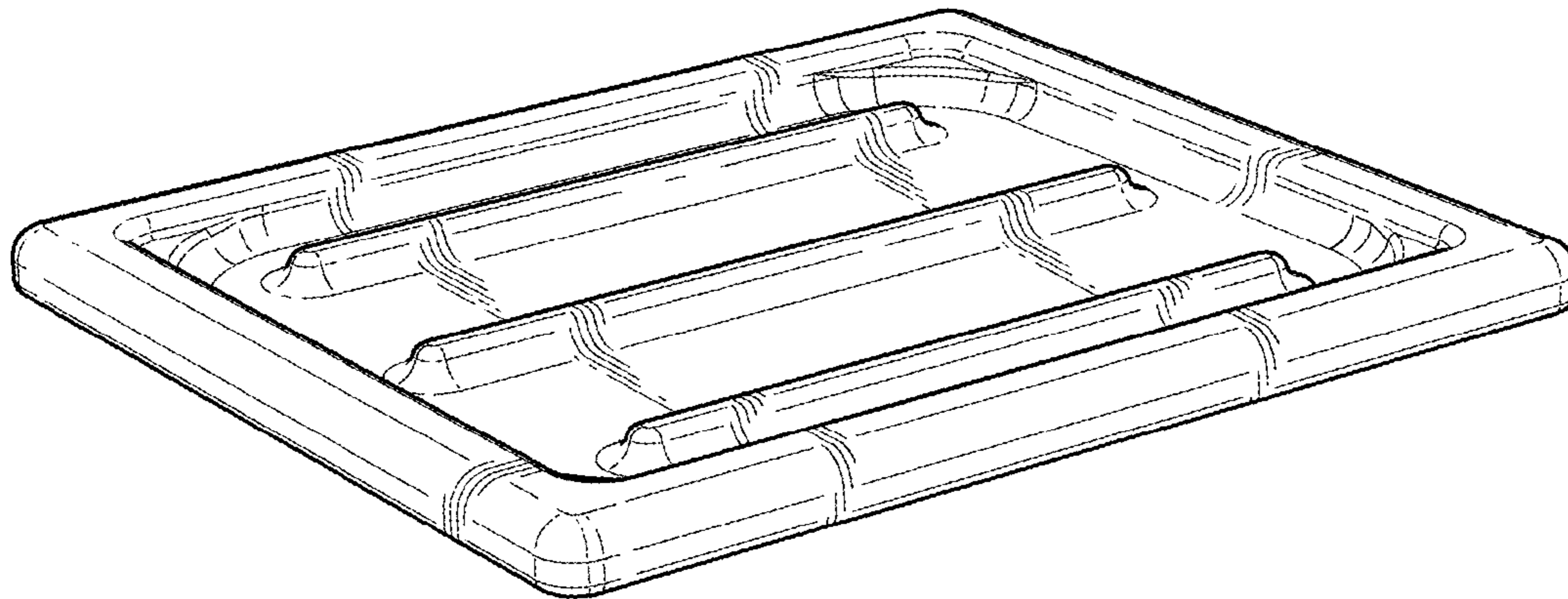
(57) **CLAIM**

I claim the ornamental design for the cutting board, as shown and described.

DESCRIPTION

FIG. 1 is a perspective view of the top of the invention.
FIG. 2 is a perspective view of the bottom of the invention.
FIG. 3 is a top view of the invention.
FIG. 4 is a side view of the invention.
FIG. 5 is an end view of the invention; and,
FIG. 6 is the bottom view of the invention.

1 Claim, 3 Drawing Sheets



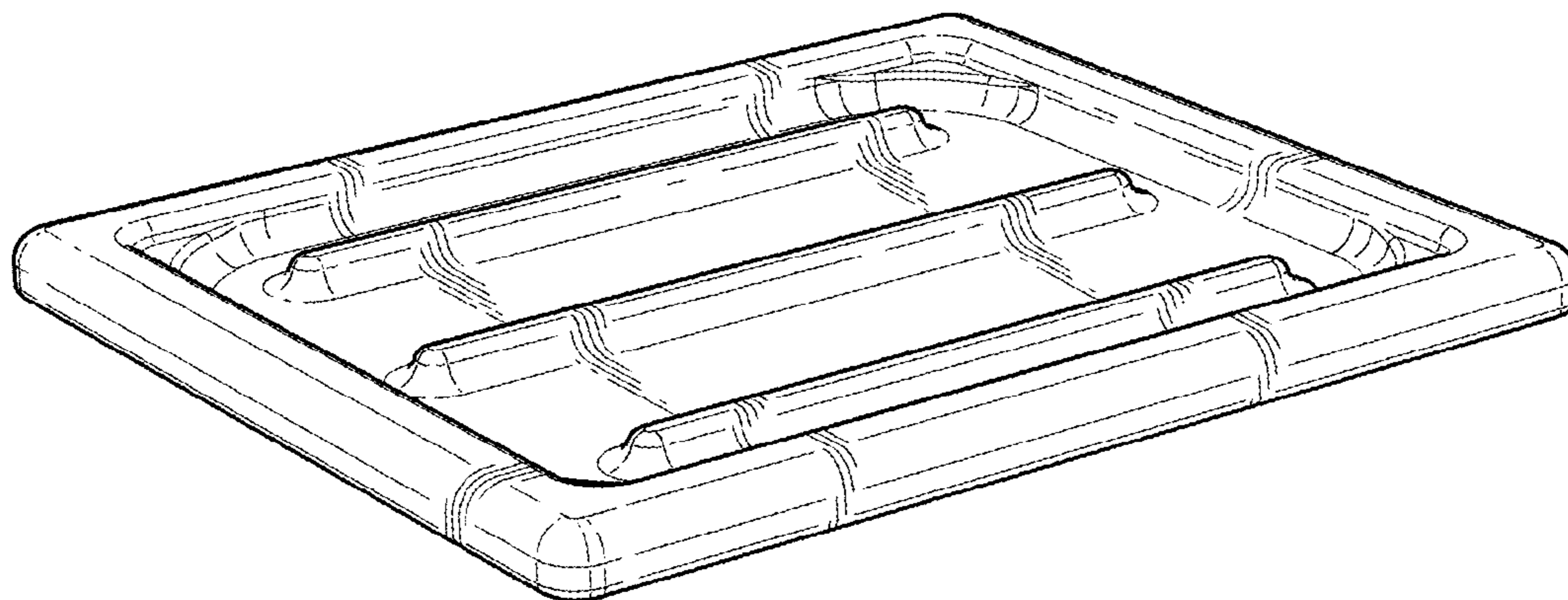


FIG. 1

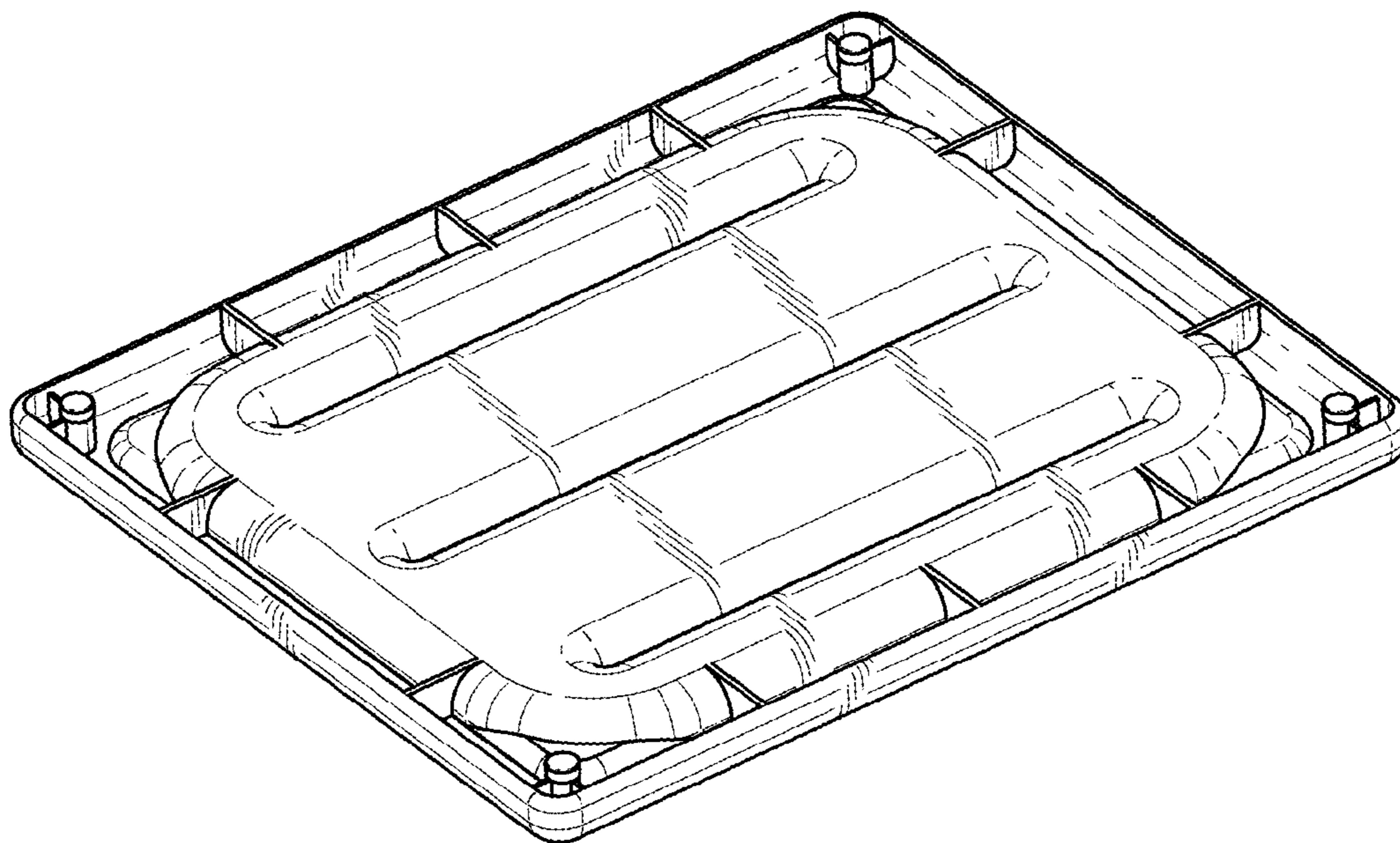


FIG. 2

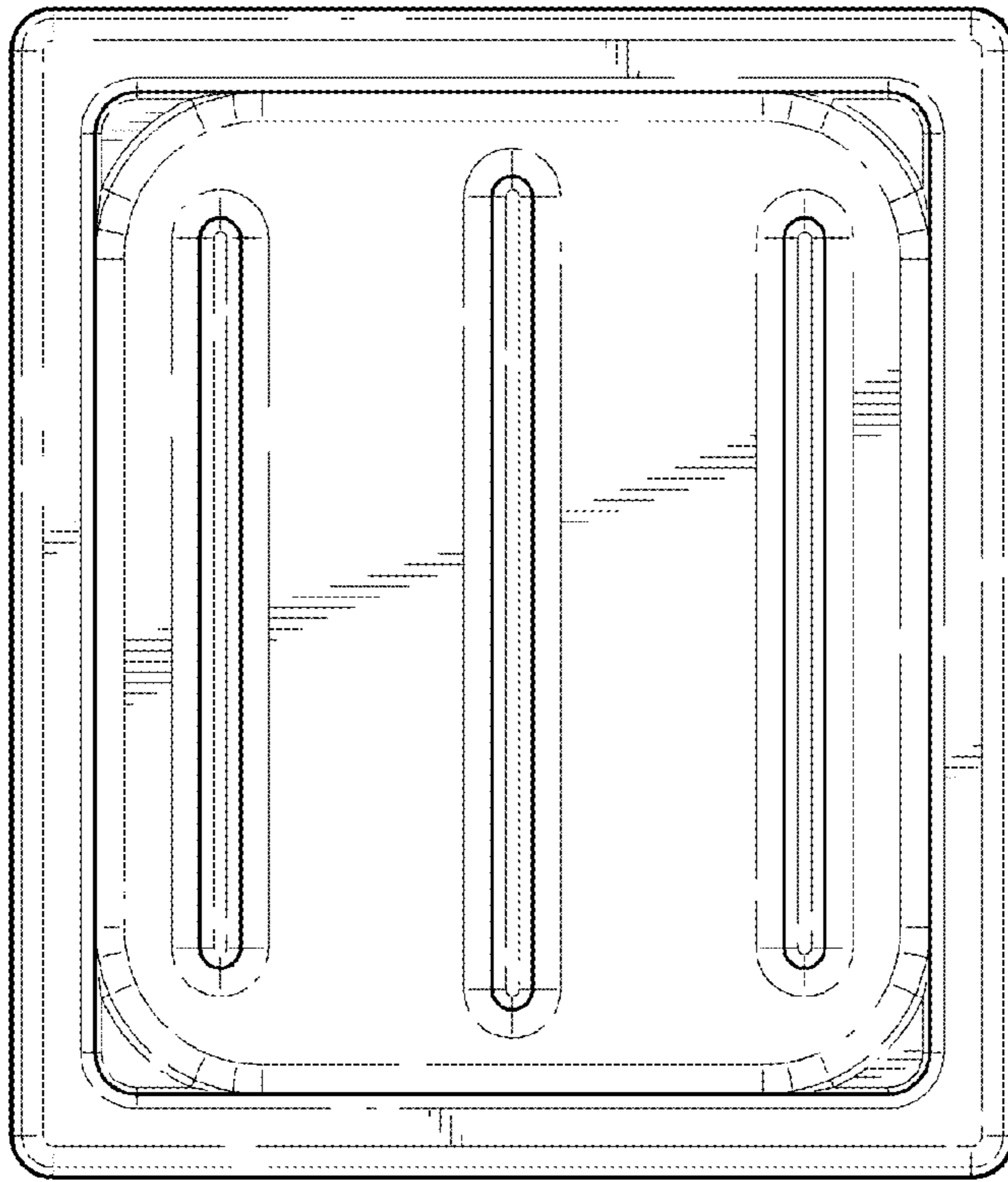


FIG. 3

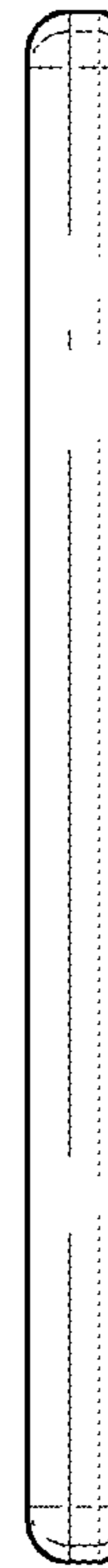


FIG. 4



FIG. 5

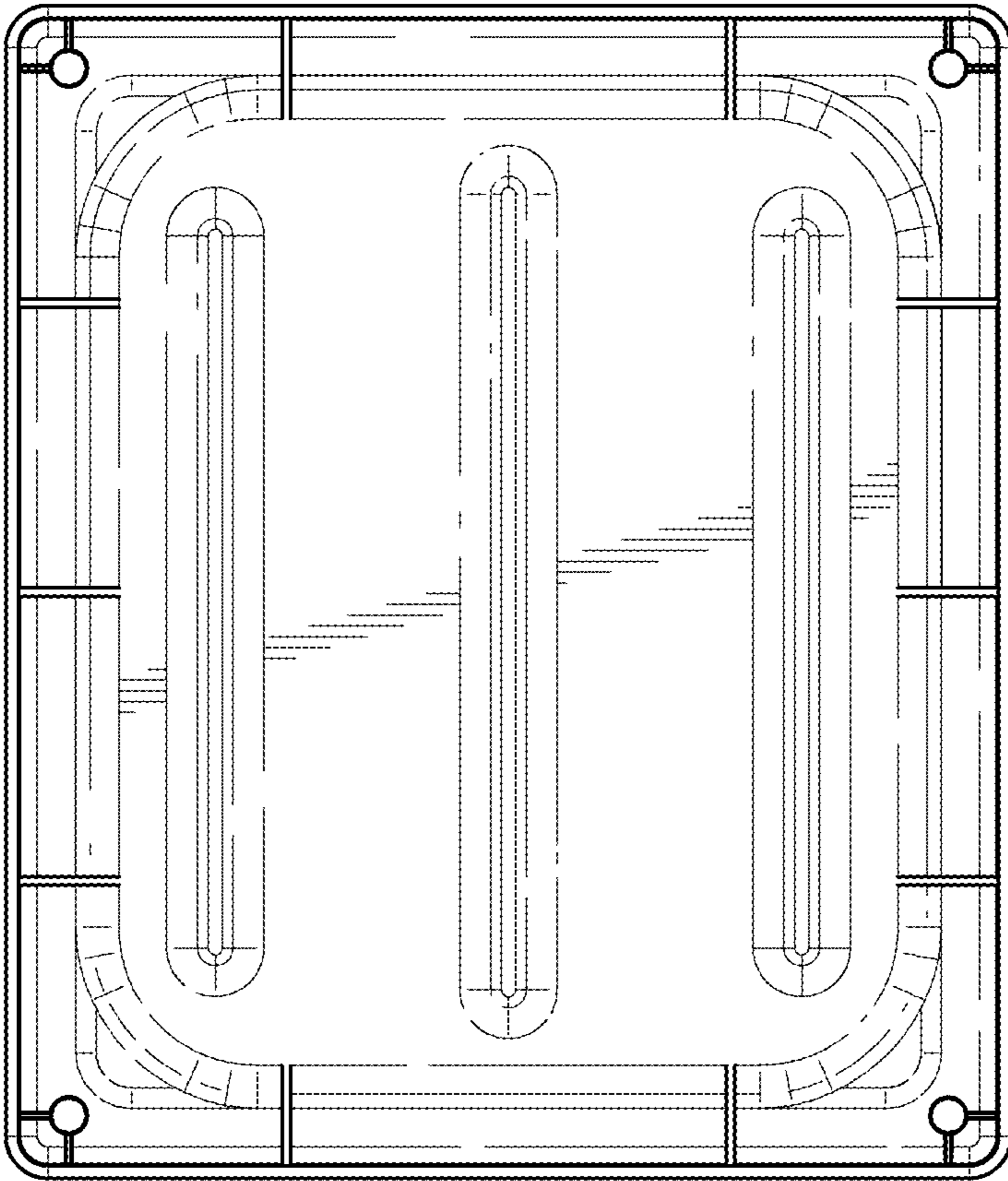


FIG. 6