



US00D690565S

(12) **United States Design Patent**
Stewart et al.

(10) **Patent No.:** **US D690,565 S**
(45) **Date of Patent:** **** *Oct. 1, 2013**

- (54) **MULTI-PIECE CUTTING BOARD**
- (76) Inventors: **Anna M. Stewart**, Naples, NY (US);
Stephen Kraigh Stewart, Naples, NY (US)
- (*) Notice: This patent is subject to a terminal disclaimer.
- (**) Term: **14 Years**
- (21) Appl. No.: **29/415,144**
- (22) Filed: **Mar. 7, 2012**
- (51) **LOC (9) Cl.** **07-04**
- (52) **U.S. Cl.**
USPC **D7/698**
- (58) **Field of Classification Search**
USPC D7/354, 359-360, 368, 388, 392.1,
D7/396.1, 409, 412, 505, 549, 550.1, 552.1-552.2,
D7/553.1, 553.5, 553.8, 554.3-554.4, 555,
D7/586, 637, 673, 698-699; 83/130, 459;
99/324, 357, 449-450; 269/13-16, 87.2,
269/289 R, 302.1, 575
See application file for complete search history.

2009/0014935 A1* 1/2009 Zeng 269/302.1
 2009/0200723 A1* 8/2009 Lim et al. 269/289 R
 2013/0049275 A1* 2/2013 Morgan 269/14

* cited by examiner

Primary Examiner — Ricky Pham

(74) *Attorney, Agent, or Firm* — Smith Risley Tempel Santos LLC; Gregory Scott Smith

(57) **CLAIM**

The ornamental design for a multi-piece cutting board, as shown and described.

DESCRIPTION

FIG. 1 is an exploded perspective view from the bottom-side of our multi-piece cutting board with the pieces separated; FIG. 2 is a perspective view from the top-side of the multi-piece cutting board with the pieces separated as shown in FIG. 1;

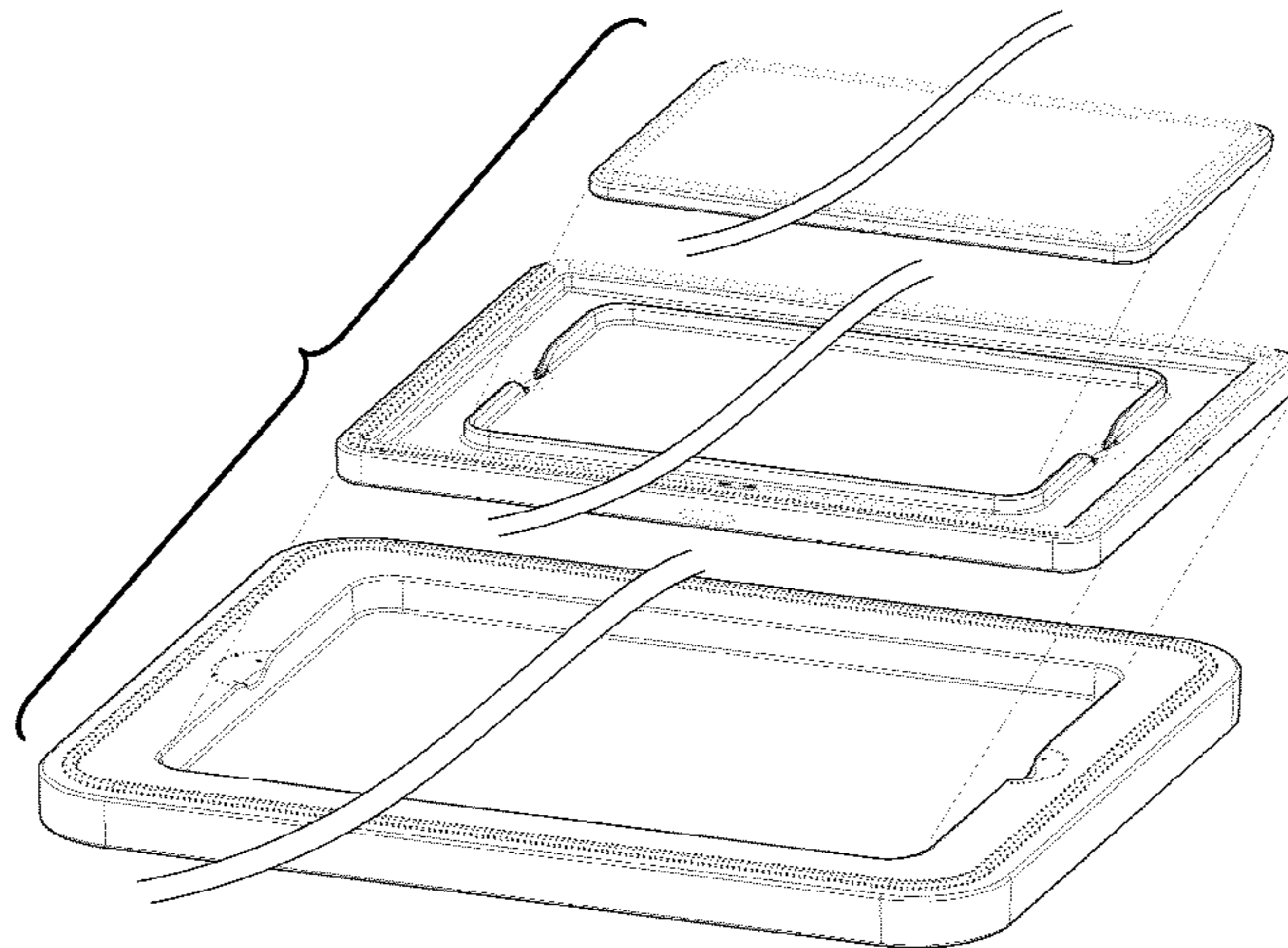
FIG. 3 is top plan view of the multi-piece cutting board shown in FIG. 1 and FIG. 2 with the pieces assembled; FIG. 4 is bottom plan view of the multi-piece cutting board shown in FIG. 1 and FIG. 2 with the pieces assembled; FIG. 5 is an exploded side view of the multi-piece cutting board shown in FIG. 1 and FIG. 2 with the pieces separated; FIG. 6 is an exploded end view of the multi-piece cutting board shown in FIG. 1 and FIG. 2 with the pieces separated; FIG. 7 is a side view of the multi-piece cutting board shown in FIG. 1 and FIG. 2 with the pieces assembled; FIG. 8 is an end view of the multi-piece cutting board shown in FIG. 1 and FIG. 2 with the pieces assembled; FIG. 9 is a cross-section view of the multi-piece cutting board shown in FIG. 1 and FIG. 2 taken at line 9 of FIG. 3; and, FIG. 10 is a cross-section view of the multi-piece cutting board shown in FIG. 1 and FIG. 2 taken at line 10 of FIG. 3. The broken lines shown throughout the drawings form no part of the claimed design.

(56) **References Cited**

U.S. PATENT DOCUMENTS

4,382,590	A *	5/1983	Pandya et al.	269/87.2
D412,815	S *	8/1999	Porter	D7/698
D464,237	S *	10/2002	Kaposi	D7/698
6,651,970	B2 *	11/2003	Scott	269/289 R
7,637,488	B2 *	12/2009	Zeng	269/302.1
D616,700	S *	6/2010	Pourounidis et al.	D7/388
7,758,029	B2 *	7/2010	Lim et al.	269/289 R
8,122,800	B2 *	2/2012	Correa	83/130
2003/0218290	A1 *	11/2003	Goldberg et al.	269/289 R
2007/0267800	A1 *	11/2007	Zeng	269/302.1

1 Claim, 5 Drawing Sheets



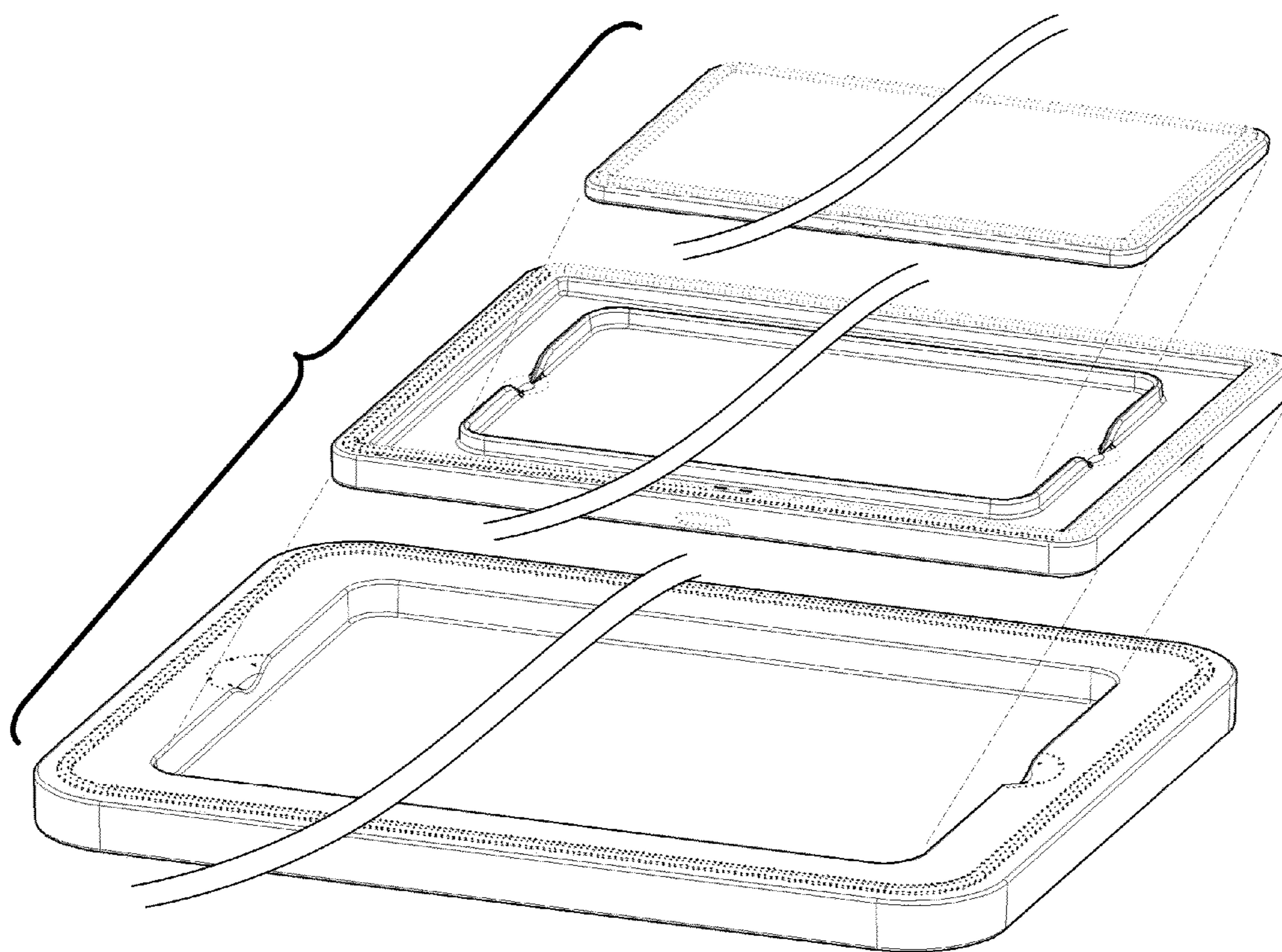


FIG. 1

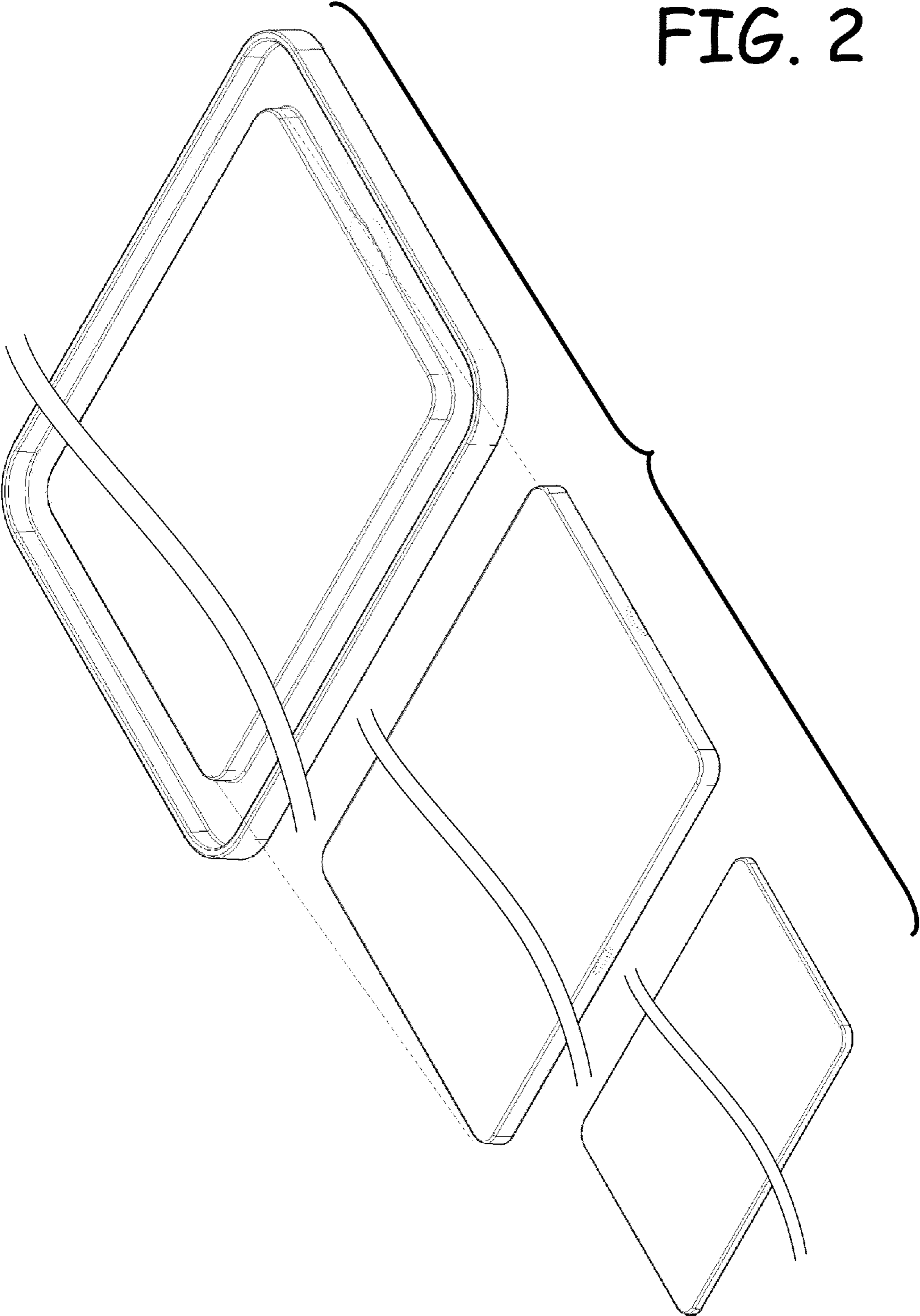
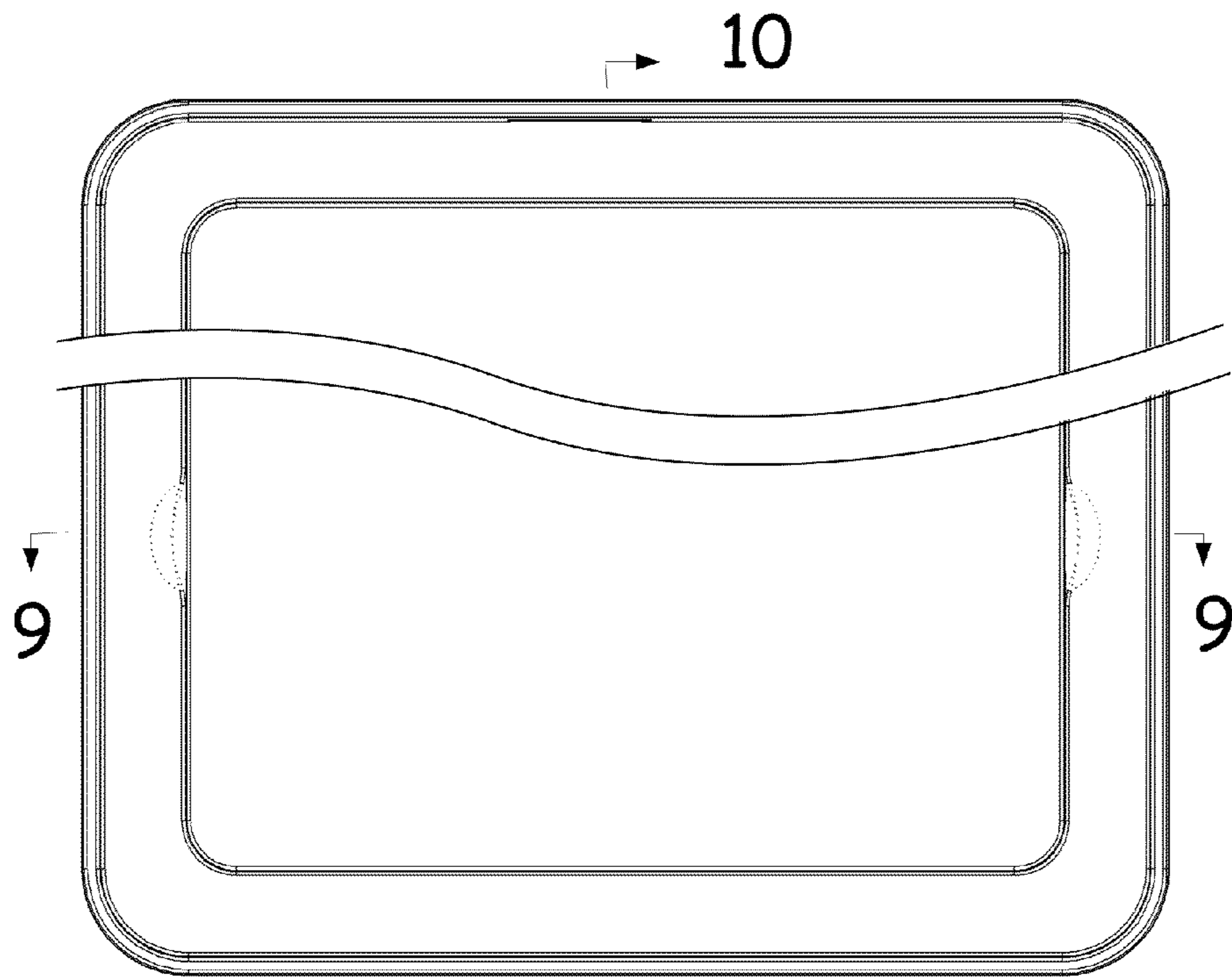


FIG. 2



10

FIG. 3

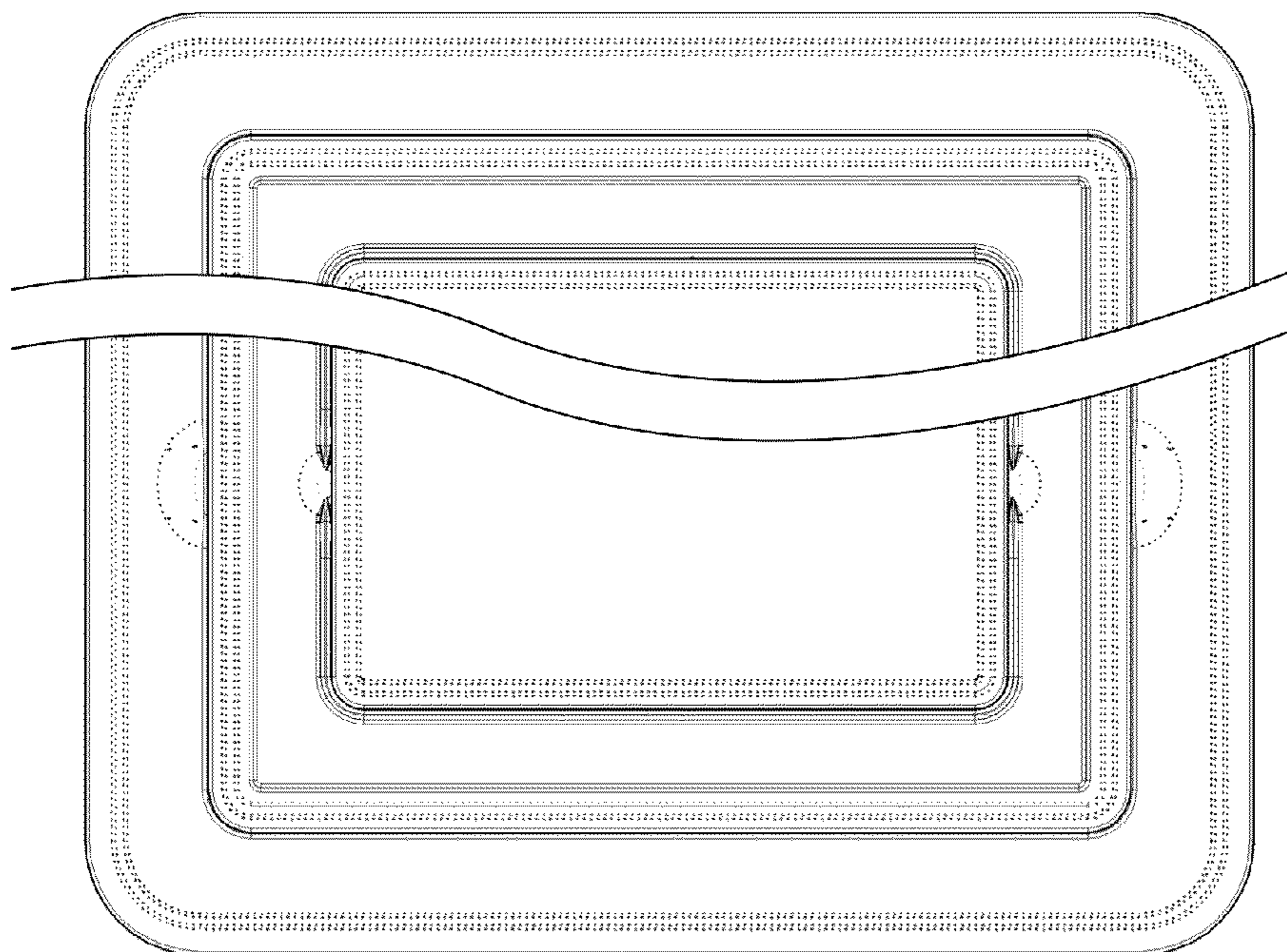


FIG. 4

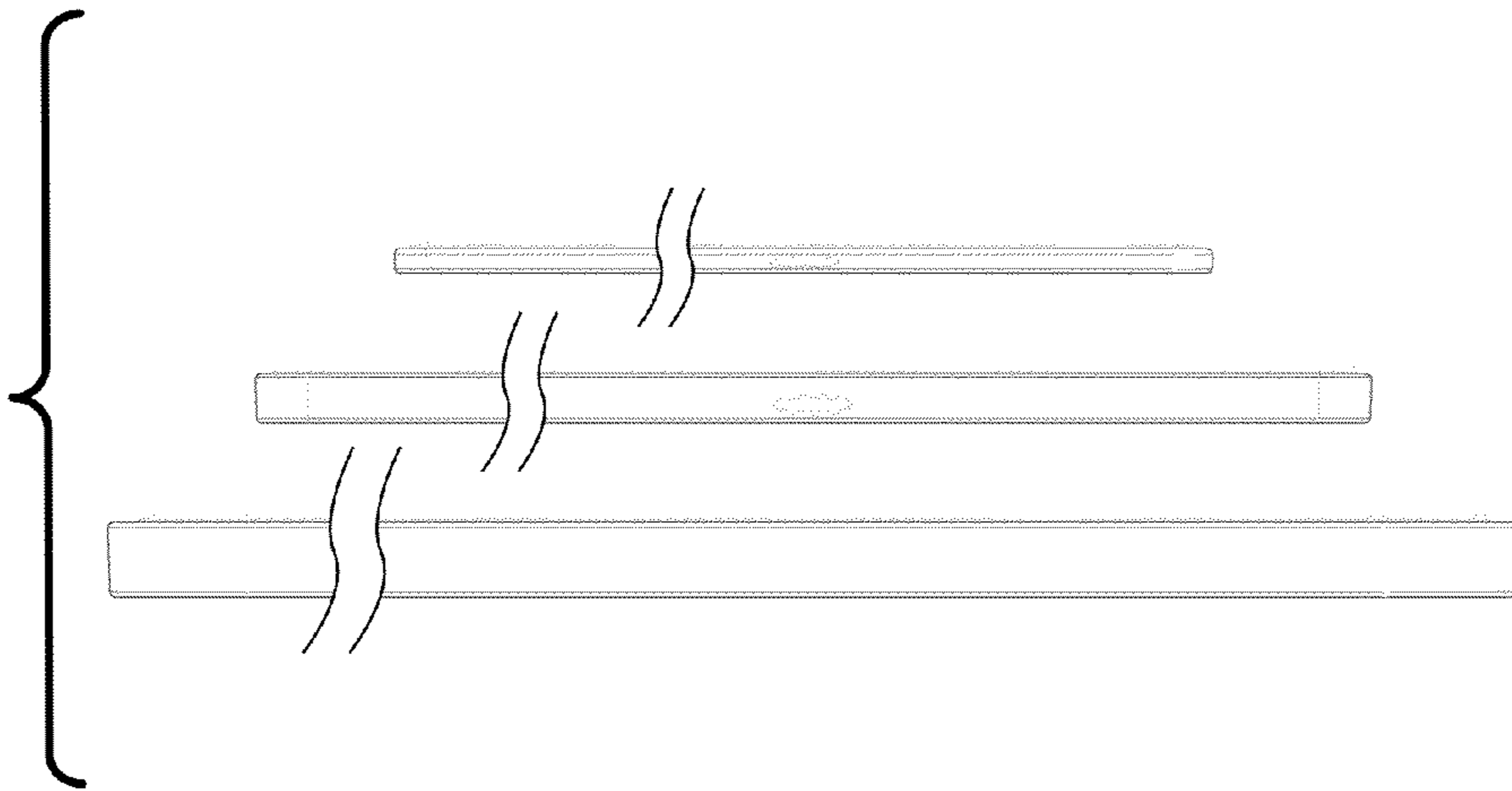


FIG. 5

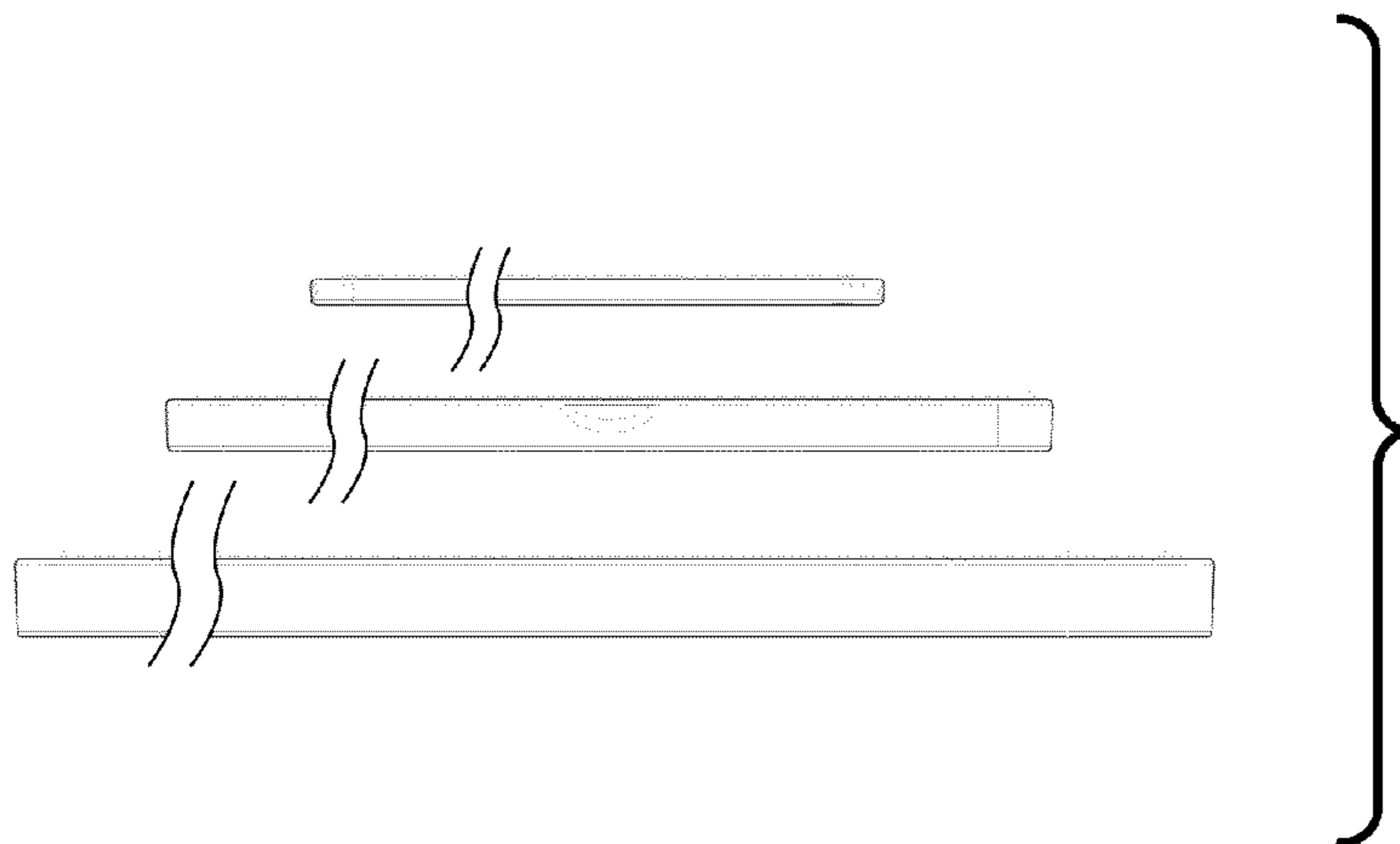


FIG. 6

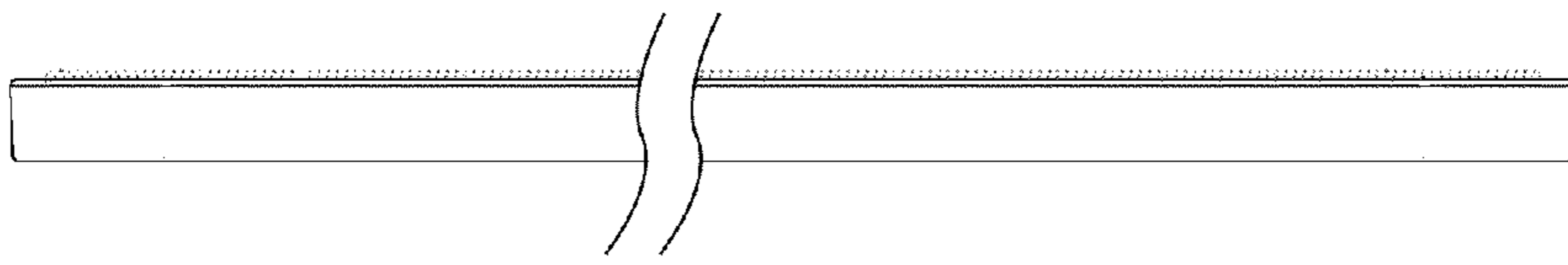


FIG. 7

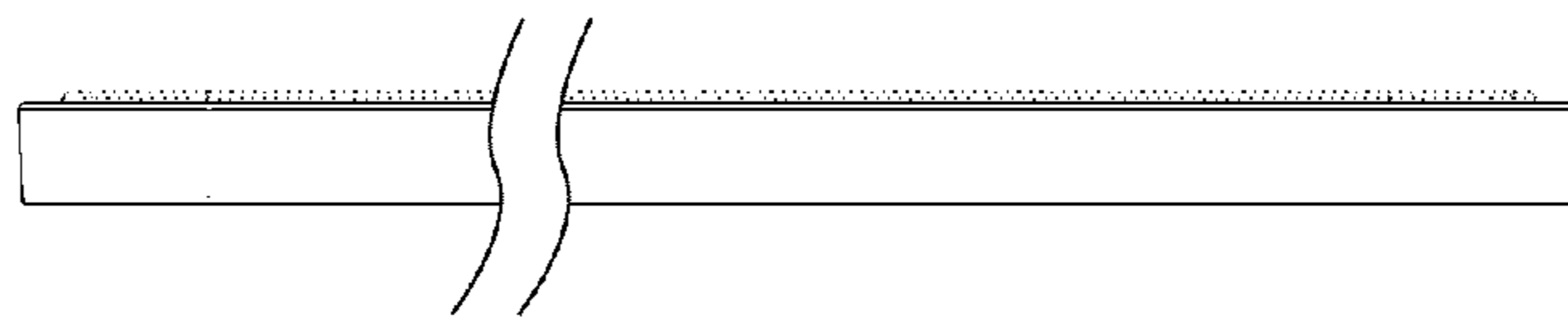


FIG. 8

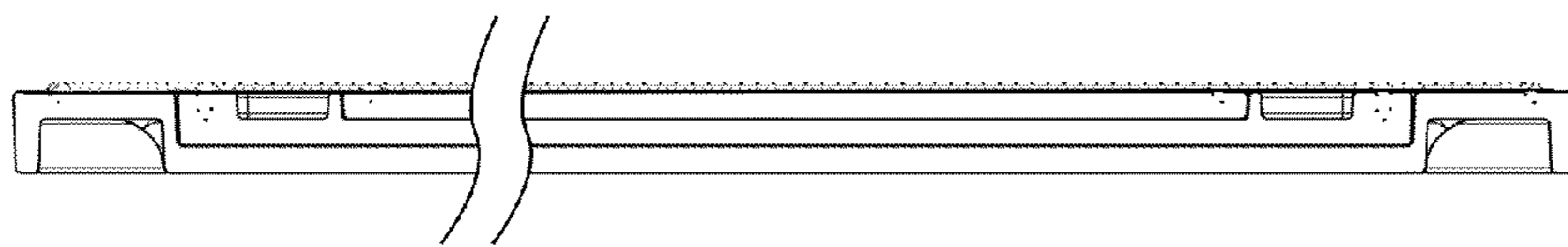


FIG. 9

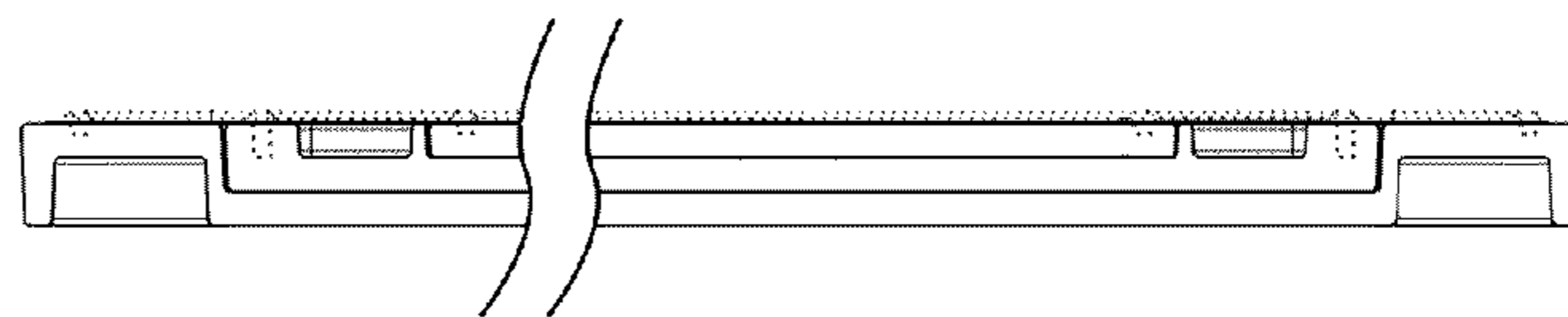


FIG. 10