



US00D690564S

(12) **United States Design Patent**
Tetreault et al.

(10) **Patent No.:** **US D690,564 S**
(45) **Date of Patent:** **** Oct. 1, 2013**

- (54) **MANDOLIN**
- (75) Inventors: **Joel Tetreault**, Roswell, GA (US); **Kyle Narkiewicz**, Ocala, FL (US)
- (73) Assignee: **Calphalon Corporation**
- (**) Term: **14 Years**
- (21) Appl. No.: **29/403,682**
- (22) Filed: **Oct. 10, 2011**
- (51) **LOC (9) Cl.** **07-04**
- (52) **U.S. Cl.**
USPC **D7/673**
- (58) **Field of Classification Search**
USPC D7/672-677, 678, 381, 382, 384,
D7/669, 368, 372; 241/93, 94, 101.1, 37.5,
241/36, 273.1-273.4, 100, 285.1, 283, 285.2,
241/168, 169; 83/651.1, 648, 356.2, 431,
83/425.3, 435.15, 437.7, 441.1, 247, 856,
83/857, 932, 167, 13; 99/537, 588; 30/279.6,
30/280

5,626,067 A	5/1997	Lothe	
5,640,897 A	6/1997	Fehr	
5,687,626 A	11/1997	Scherch	
5,692,424 A	12/1997	Wallace	
5,697,276 A	12/1997	Nassau	
5,745,999 A	5/1998	Zirkiev	
5,765,472 A	6/1998	Kim	
5,775,190 A	7/1998	Terai	
5,784,937 A	7/1998	Wygai	
5,787,776 A	8/1998	Nishimoto	
5,862,730 A	1/1999	Cartwright	
5,881,621 A	3/1999	Dennis	
5,924,352 A	7/1999	Lothe	
6,044,739 A	4/2000	Abler	
6,045,071 A	4/2000	Emsens	
6,082,645 A *	7/2000	Himmighofen et al.	241/168
6,119,566 A	9/2000	Yan	
6,167,791 B1	1/2001	Heckman	

(Continued)

FOREIGN PATENT DOCUMENTS

- EP 1056384 B1 6/2002
- Primary Examiner* — Terry Wallace
- (74) *Attorney, Agent, or Firm* — Newell Rubbermaid, Inc.

(57) **CLAIM**
The ornamental design for a “mandolin,” as shown and described.

See application file for complete search history.

(56) **References Cited**

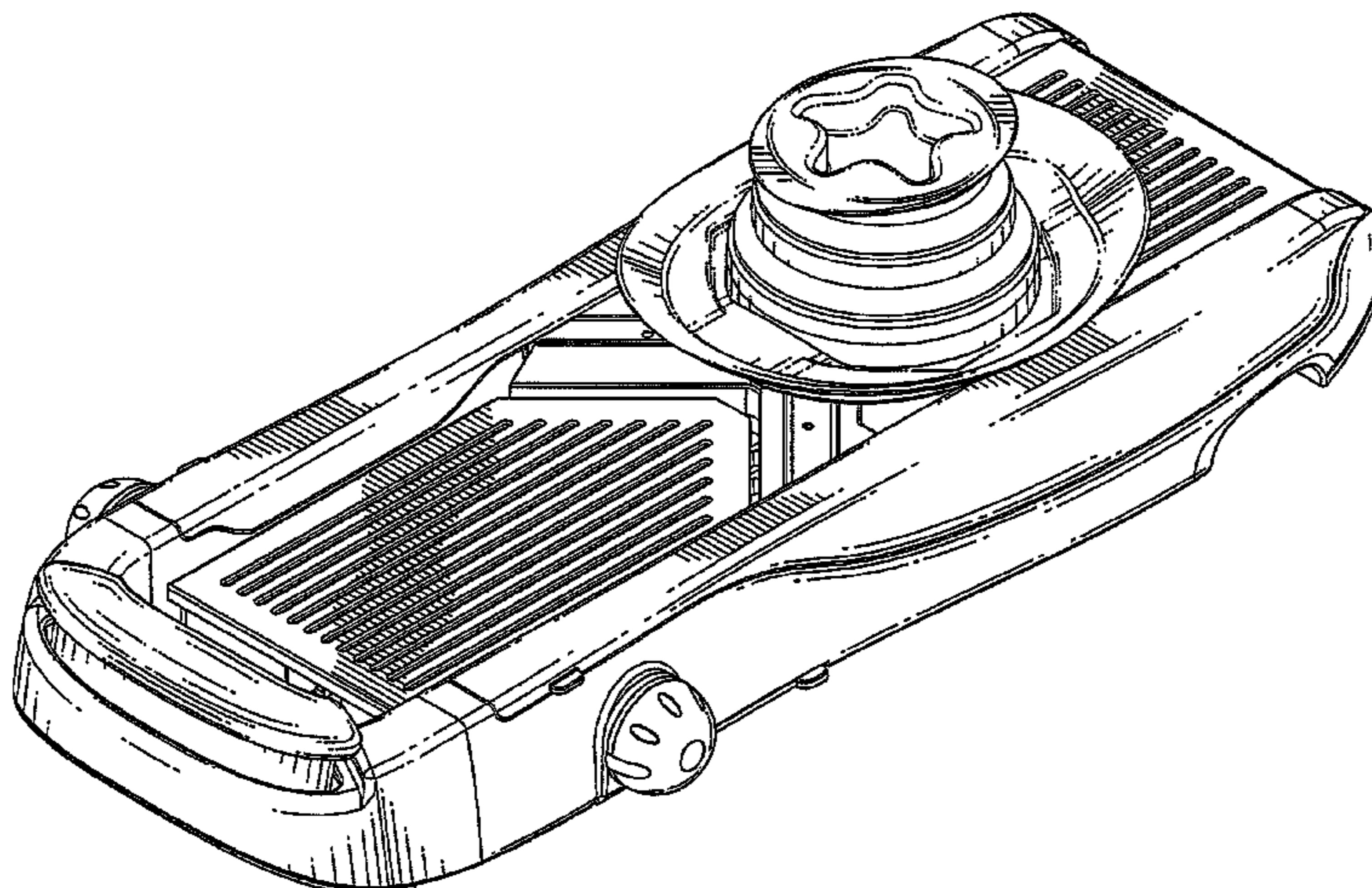
U.S. PATENT DOCUMENTS

5,101,716 A	4/1992	Cones
5,136,908 A	8/1992	Callandrello
5,163,628 A	11/1992	Arnold
5,230,267 A	7/1993	Abler
5,271,317 A	12/1993	Aguerrevere
5,311,803 A	5/1994	Crowley
5,352,472 A	10/1994	Lucke
5,471,922 A	12/1995	Hall
5,478,404 A	12/1995	Kenamer
5,499,719 A	3/1996	Lindee
5,555,787 A	9/1996	Barber
5,577,430 A	11/1996	Gunderson
5,591,072 A	1/1997	Tweed
5,615,591 A	4/1997	Scherch
5,617,634 A	4/1997	Moesmann

DESCRIPTION

FIG. 1 is a perspective view of the mandolin showing our new design.
 FIG. 2 is a rear view thereof.
 FIG. 3 is a front view thereof.
 FIG. 4 is a left side view thereof.
 FIG. 5 is a right side view thereof.
 FIG. 6 is a top plan view thereof; and,
 FIG. 7 is a bottom plan view thereof.
 The broken lines are for illustrative purposes only and form no part of the claimed design.

1 Claim, 6 Drawing Sheets



(56)

References Cited

U.S. PATENT DOCUMENTS

6,209,438 B1	4/2001	Mitchell		2005/0217117 A1	10/2005	Willis	
6,709,319 B2	3/2004	Yan		2006/0075872 A1	4/2006	Wangler	
6,732,622 B2 *	5/2004	Vincent	83/247	2006/0157599 A1	7/2006	Klotz	
6,748,853 B1	6/2004	Brady		2007/0006700 A1	1/2007	Lunghi	
6,752,056 B1	6/2004	Weber		2007/0006701 A1	1/2007	Lunghi	
D495,218 S *	8/2004	Yu	D7/673	2007/0022860 A1	2/2007	Chow	
6,769,337 B2	8/2004	Sandberg		2007/0044605 A1	3/2007	Zeeb	
6,845,697 B2	1/2005	Kovacs		2007/0044611 A1	3/2007	Bondarowicz	
D503,314 S *	3/2005	Wong	D7/673	2007/0044612 A1	3/2007	Somal	
D505,301 S *	5/2005	Wong	D7/673	2007/0044621 A1	3/2007	Rote	
6,920,813 B2	7/2005	Bucks		2007/0044626 A1	3/2007	Bondarowicz	
7,066,071 B2	6/2006	Zeder		2007/0044627 A1	3/2007	Clem	
7,137,325 B2	11/2006	Bajema		2007/0044628 A1	3/2007	Rote	
D534,041 S *	12/2006	De Buyer	D7/673	2007/0049181 A1	3/2007	Zeeb	
7,143,677 B2	12/2006	Zeder		2007/0089577 A1 *	4/2007	Wong	83/13
D535,162 S *	1/2007	De Buyer	D7/673	2007/0125207 A1	6/2007	Lucas	
7,174,822 B2	2/2007	Friel		2007/0142959 A1	6/2007	Rummel	
7,216,574 B2	5/2007	Woods		2007/0214969 A1	9/2007	Mueller	
D548,548 S *	8/2007	Lee	D7/673	2007/0261523 A1	11/2007	Hussey	
7,270,481 B1	9/2007	Chang		2008/0047407 A1	2/2008	Muller	
7,297,888 B2	11/2007	Kovacic		2008/0190304 A1	8/2008	Sawhney	
7,322,112 B2	1/2008	Boerner		2008/0190305 A1	8/2008	Zhu	
7,390,243 B2	6/2008	Friel et al.		2008/0257128 A1	10/2008	Reimann	
D573,853 S *	7/2008	Ericsson	D7/672	2009/0007745 A1	1/2009	Rummel	
7,444,915 B2	11/2008	Kovacic		2009/0013845 A1	1/2009	Zhu	
7,464,632 B2	12/2008	Zeeb		2009/0071310 A1	3/2009	Rummel	
7,487,702 B2	2/2009	Chen		2009/0133588 A1	5/2009	Rummel	
7,493,841 B1	2/2009	Kaplan		2009/0173201 A1	7/2009	Zhu	
7,549,363 B2	6/2009	Rote		2009/0178532 A1	7/2009	DiPietro	
7,587,335 B2	9/2009	Schuller		2009/0183611 A1	7/2009	Khubani	
7,637,191 B2	12/2009	Zeeb		2009/0255391 A1	10/2009	Hood	
7,669,525 B2	3/2010	Cornfield		2010/0005978 A1	1/2010	Hoffman	
7,694,615 B2	4/2010	DiPietro		2010/0037471 A1	2/2010	Repac	
7,712,402 B2	5/2010	Ishii		2010/0064872 A1	3/2010	Gosis	
7,779,739 B2	8/2010	Peterson		2010/0089254 A1	4/2010	Gosis	
7,866,243 B2	1/2011	DiPietro		2010/0116107 A1	5/2010	Spillner	
2002/0184983 A1	12/2002	Lau		2010/0116153 A1	5/2010	Chen	
2003/0079595 A1	5/2003	Shariff		2010/0122465 A1	5/2010	Holmes	
2003/0233918 A1	12/2003	Lindee		2010/0140051 A1	6/2010	Weber	
2004/0025651 A1	2/2004	Bachman		2010/0180778 A1	7/2010	Walker	
2004/0040428 A1	3/2004	DeYoung		2010/0192743 A1	8/2010	Bridges	
2005/0045011 A1	3/2005	Kovacic		2010/0192745 A1	8/2010	Weber	
2005/0045048 A1	3/2005	Lau		2010/0212517 A1	8/2010	Nuri	
2005/0051006 A1	3/2005	Barbaric		2010/0224041 A1	9/2010	Melton	
2005/0199115 A1	9/2005	Veltrop		2010/0252669 A1	10/2010	Romano	
				2010/0263514 A1	10/2010	Mah	

* cited by examiner

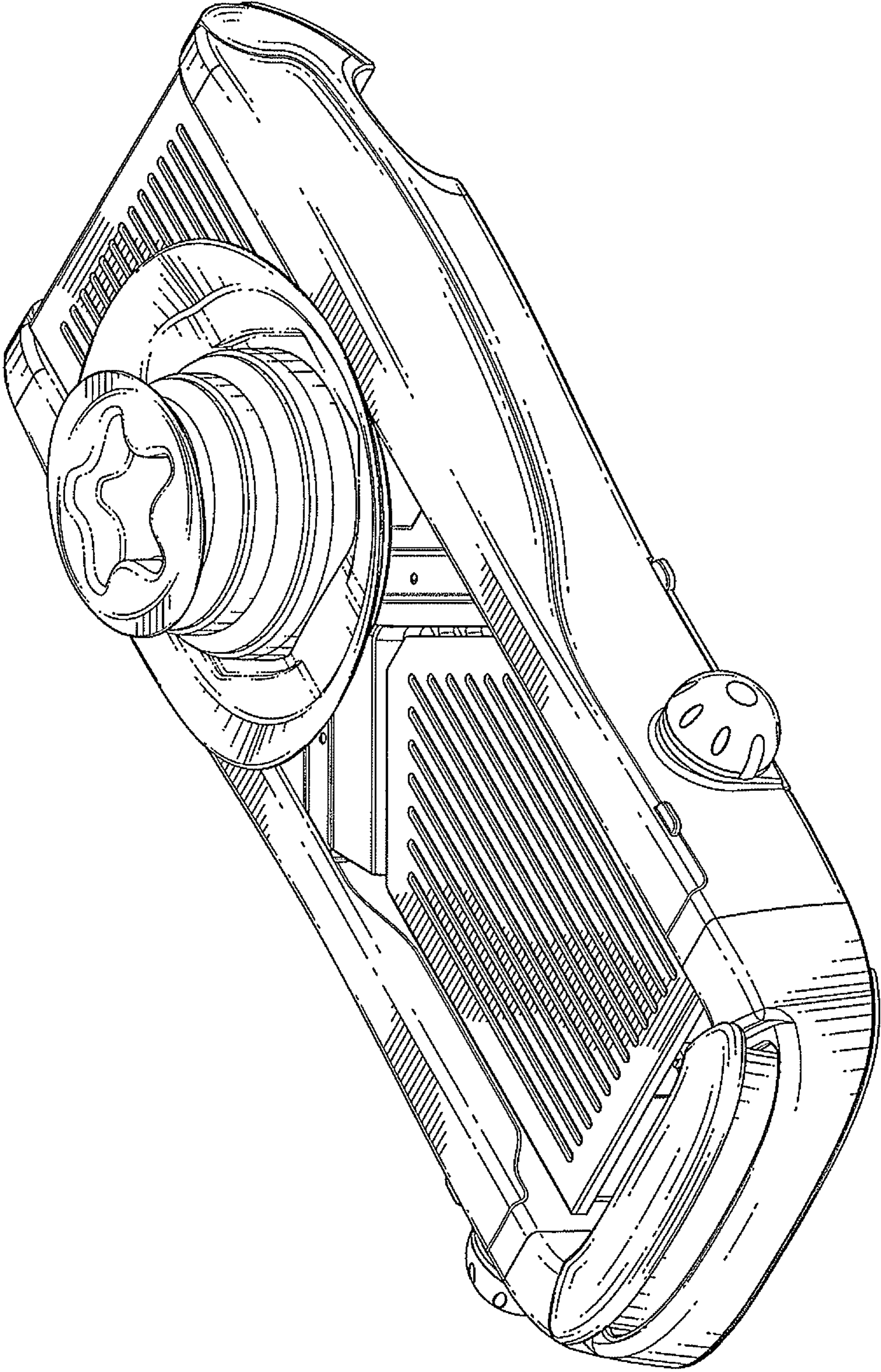


FIG.1

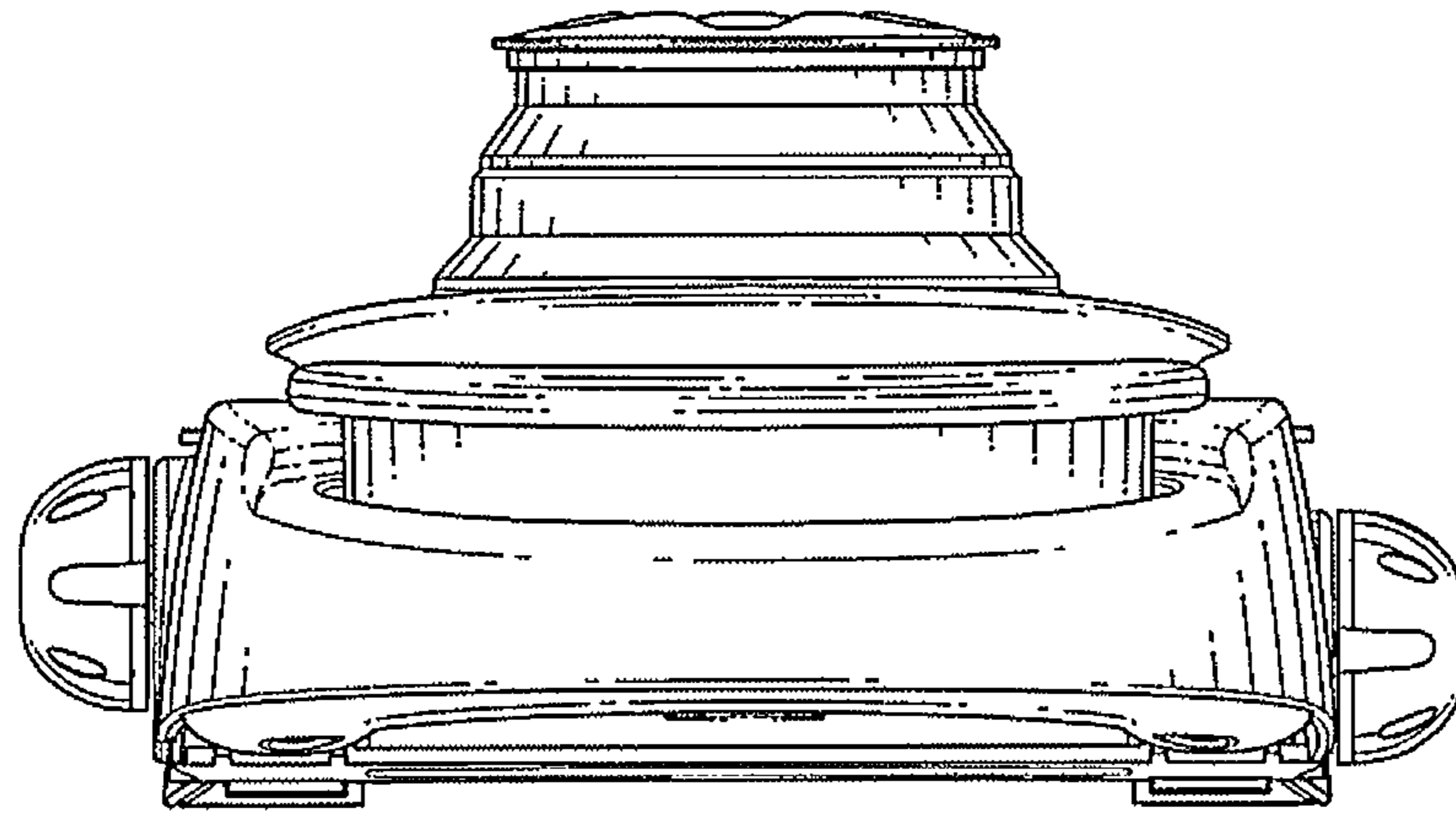


FIG. 2

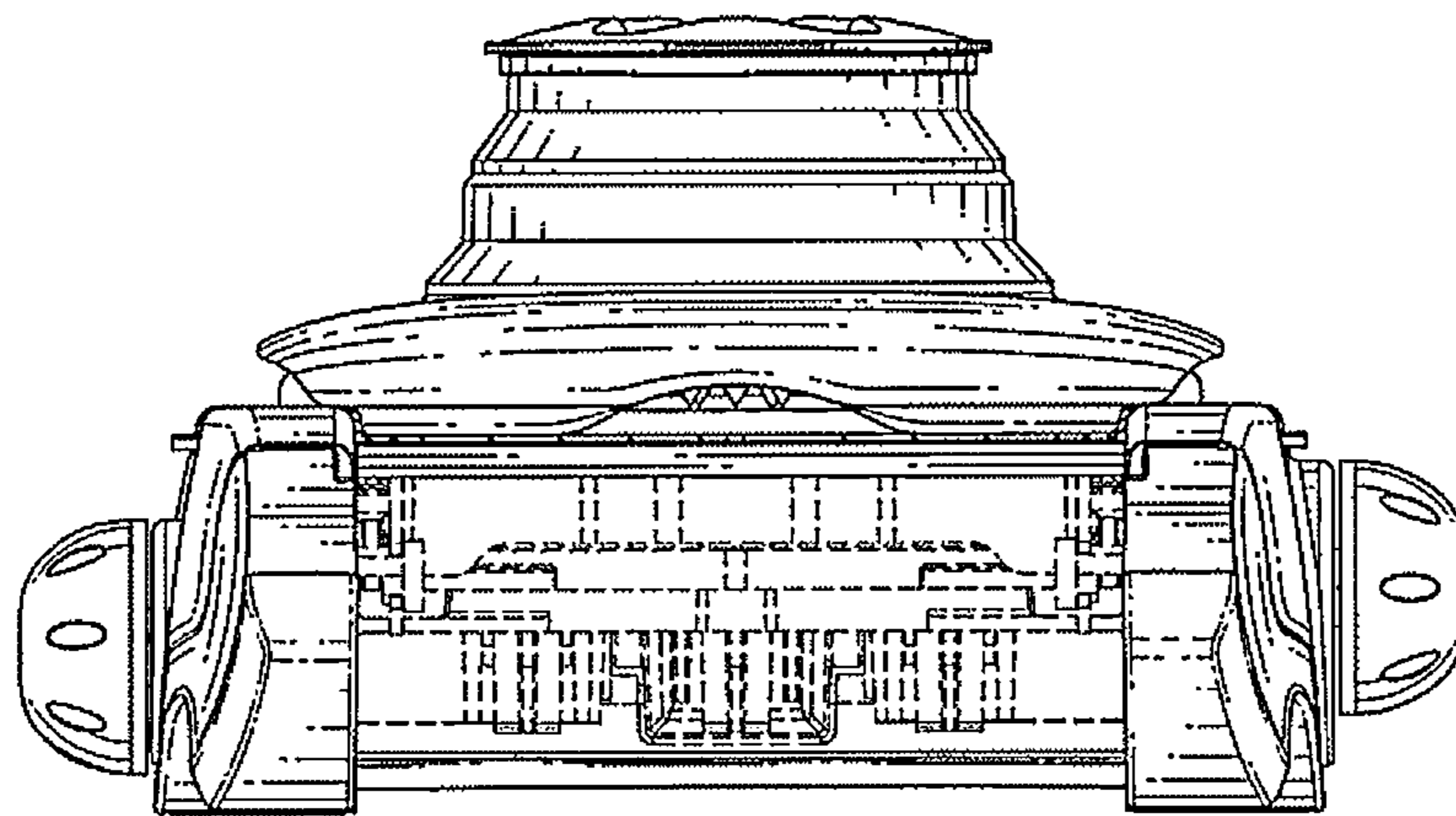


FIG. 3

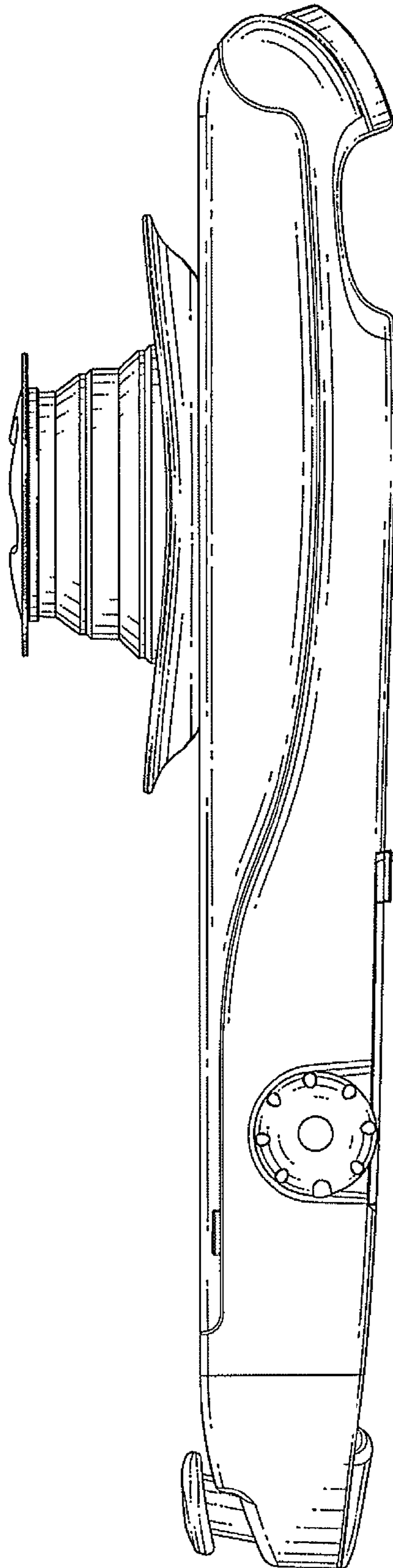


FIG.4

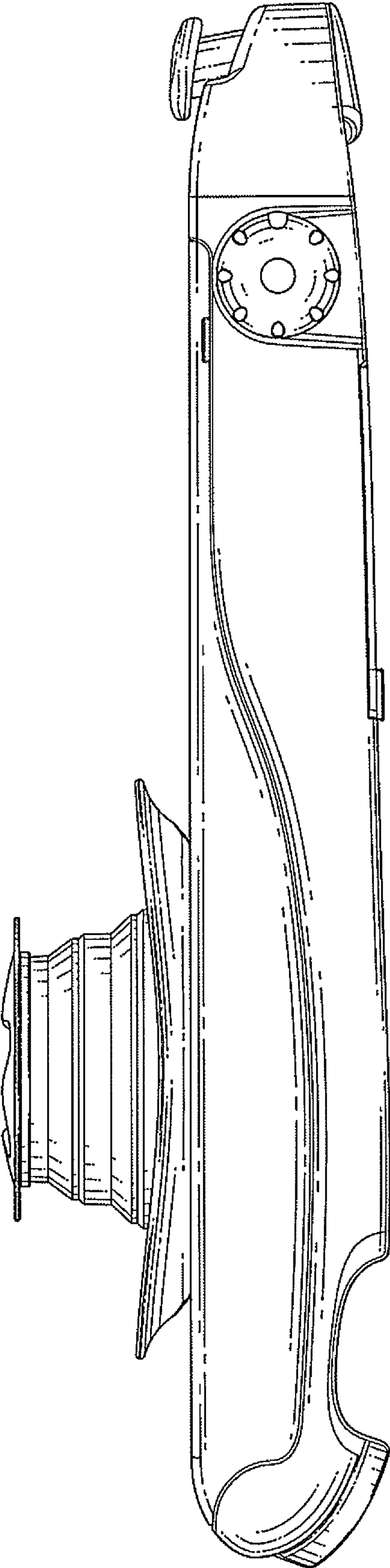


FIG. 5

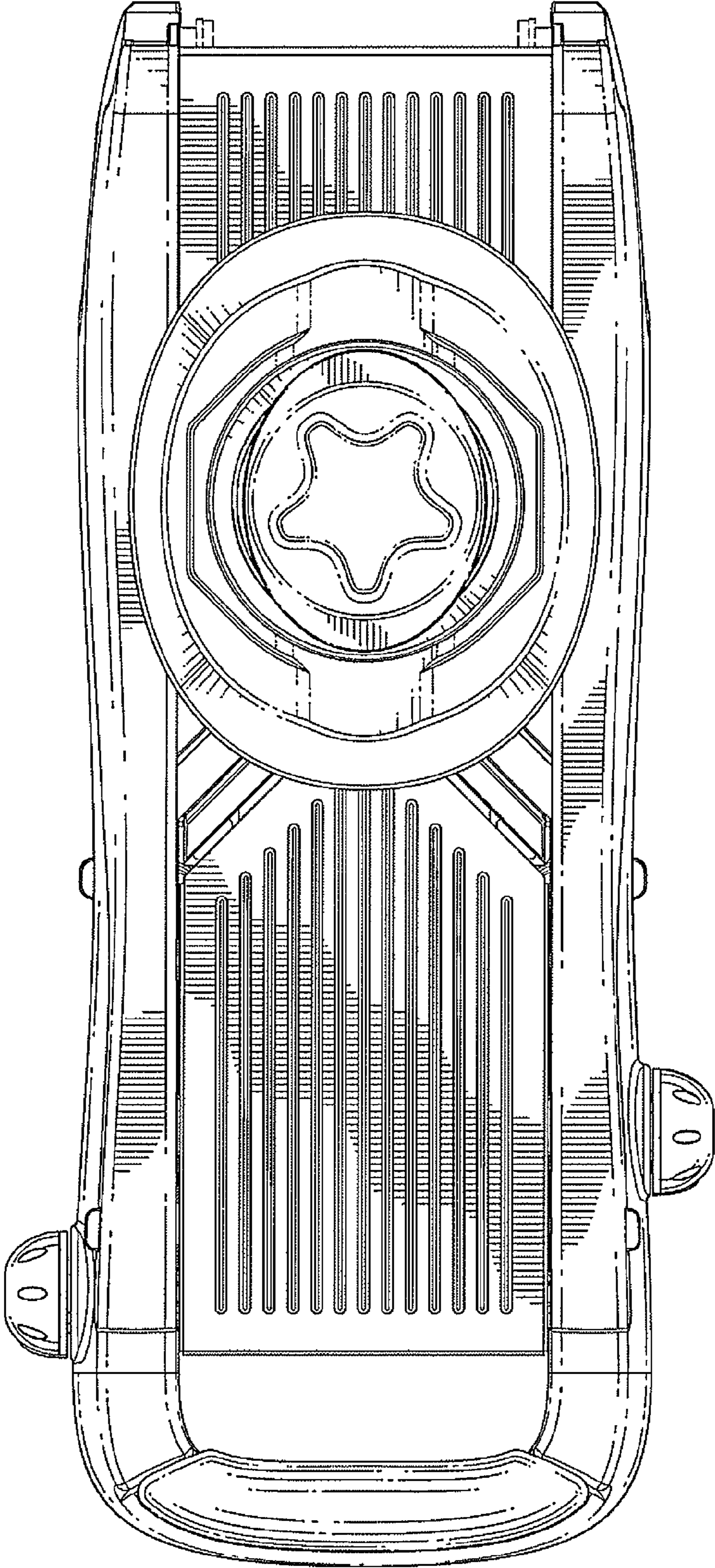


FIG. 6

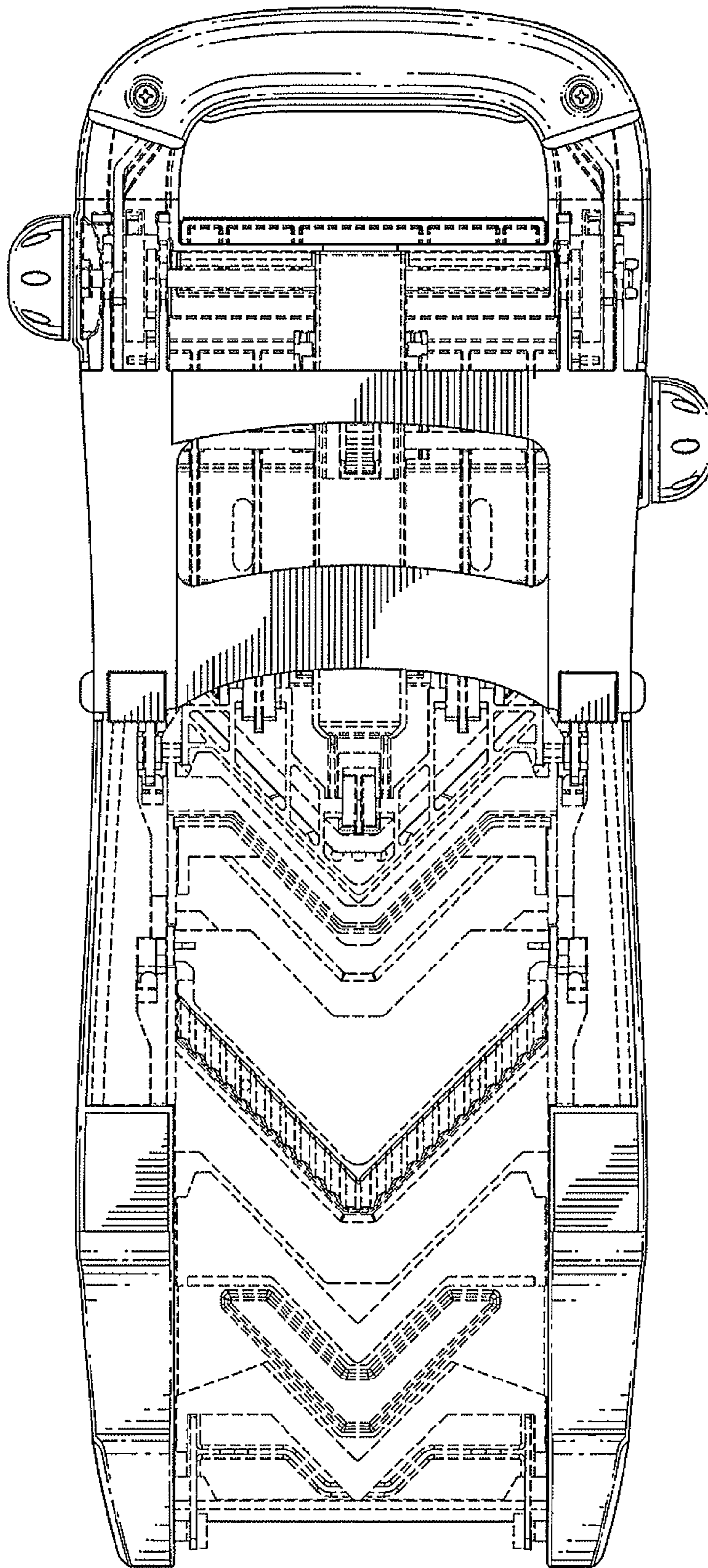


FIG. 7