



US00D690563S

(12) **United States Design Patent**  
**Kinney**

(10) **Patent No.:** **US D690,563 S**

(45) **Date of Patent:** **\*\* Oct. 1, 2013**

(54) **MICROWAVE TACO SHELL FORM**

(76) **Inventor:** **Bradford David Kinney**, Balboa Island,  
CA (US)

(\*\*) **Term:** **14 Years**

(21) **Appl. No.:** **29/429,232**

(22) **Filed:** **Aug. 8, 2012**

(51) **LOC (9) Cl.** ..... **07-04**

(52) **U.S. Cl.**  
USPC ..... **D7/672; D7/504**

(58) **Field of Classification Search**  
USPC ..... D7/672-677, 504, 354; 99/426,  
99/431, 432, 439, 422, 425, 403, 400, 441,  
99/445, 450; 219/725

See application file for complete search history.

(56) **References Cited**

**U.S. PATENT DOCUMENTS**

2,627,222	A *	2/1953	Luna	99/403
2,814,981	A *	12/1957	Wendel	99/426
2,847,933	A *	8/1958	Pate	249/117
3,555,993	A *	1/1971	Garcia	99/426
3,745,911	A *	7/1973	Kennedy et al.	99/426
4,517,887	A *	5/1985	Childress	99/426
5,487,330	A *	1/1996	Mooney	99/425
5,628,245	A *	5/1997	Baze	99/426

7,849,787	B2 *	12/2010	Flores	99/353
8,061,268	B1 *	11/2011	McGuinness	99/422
2006/0117963	A1 *	6/2006	Schneider et al.	99/403
2008/0028950	A1 *	2/2008	Vasquez	99/426
2012/0097668	A1 *	4/2012	McGuinness et al.	219/725

\* cited by examiner

*Primary Examiner* — Terry Wallace

(74) *Attorney, Agent, or Firm* — Patent Law Offices of Rick Martin, P.C.

(57) **CLAIM**

The ornamental design for a microwave taco shell form, as shown and described.

**DESCRIPTION**

FIG. 1 is a top perspective view of my new design for a microwave taco shell form;  
FIG. 2 is a front elevation view of my new invention;  
FIG. 3 is a rear elevation view of my new invention;  
FIG. 4 is a left side elevation view of my new invention which is identical to the right side elevation view;  
FIG. 5 is a top plan view of my new invention; and,  
FIG. 6 is a bottom plan view of my new invention.  
The broken lines indicating logo area are for purposes of illustrating a logo area and form no part of the claimed design.

**1 Claim, 3 Drawing Sheets**

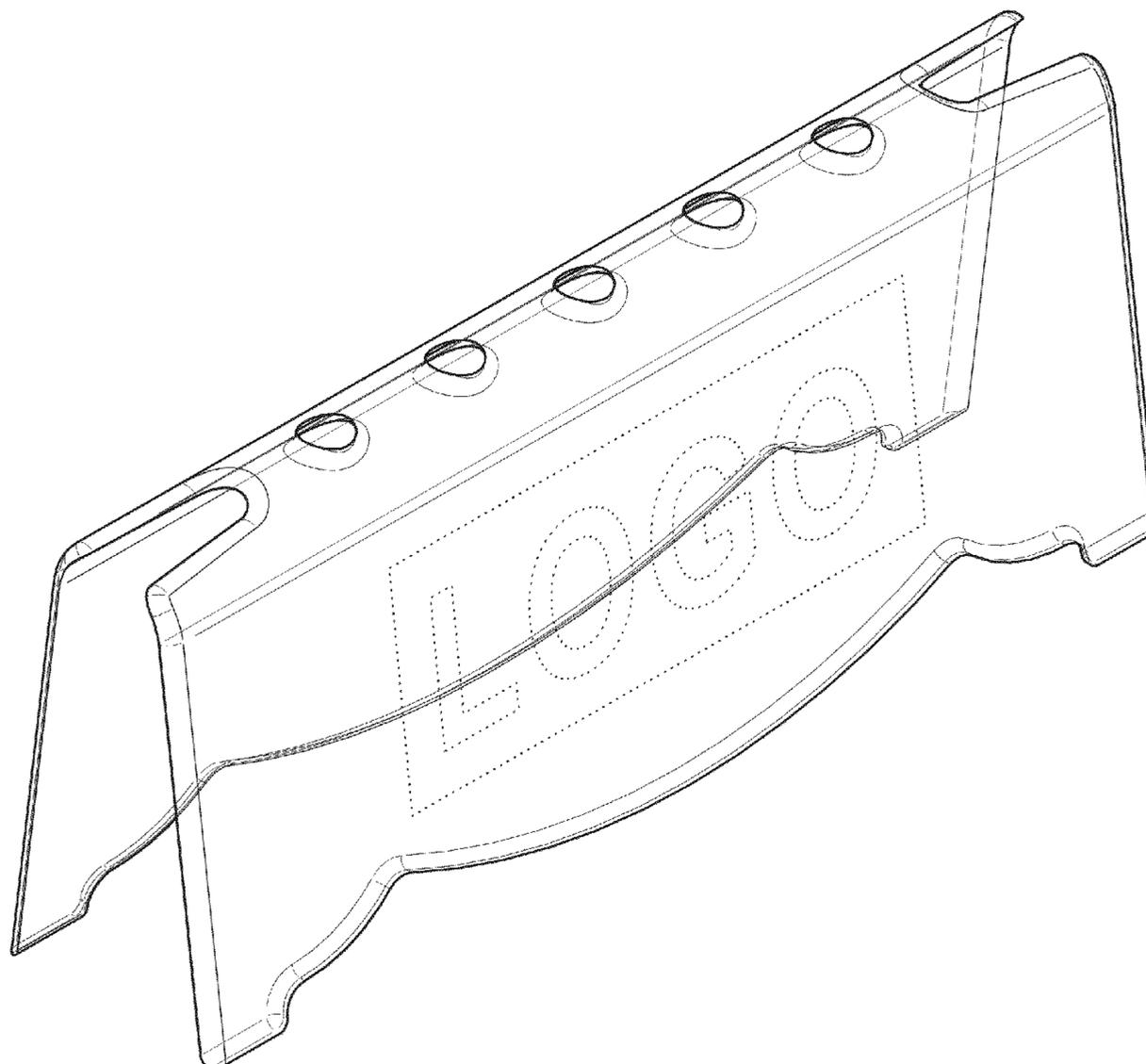
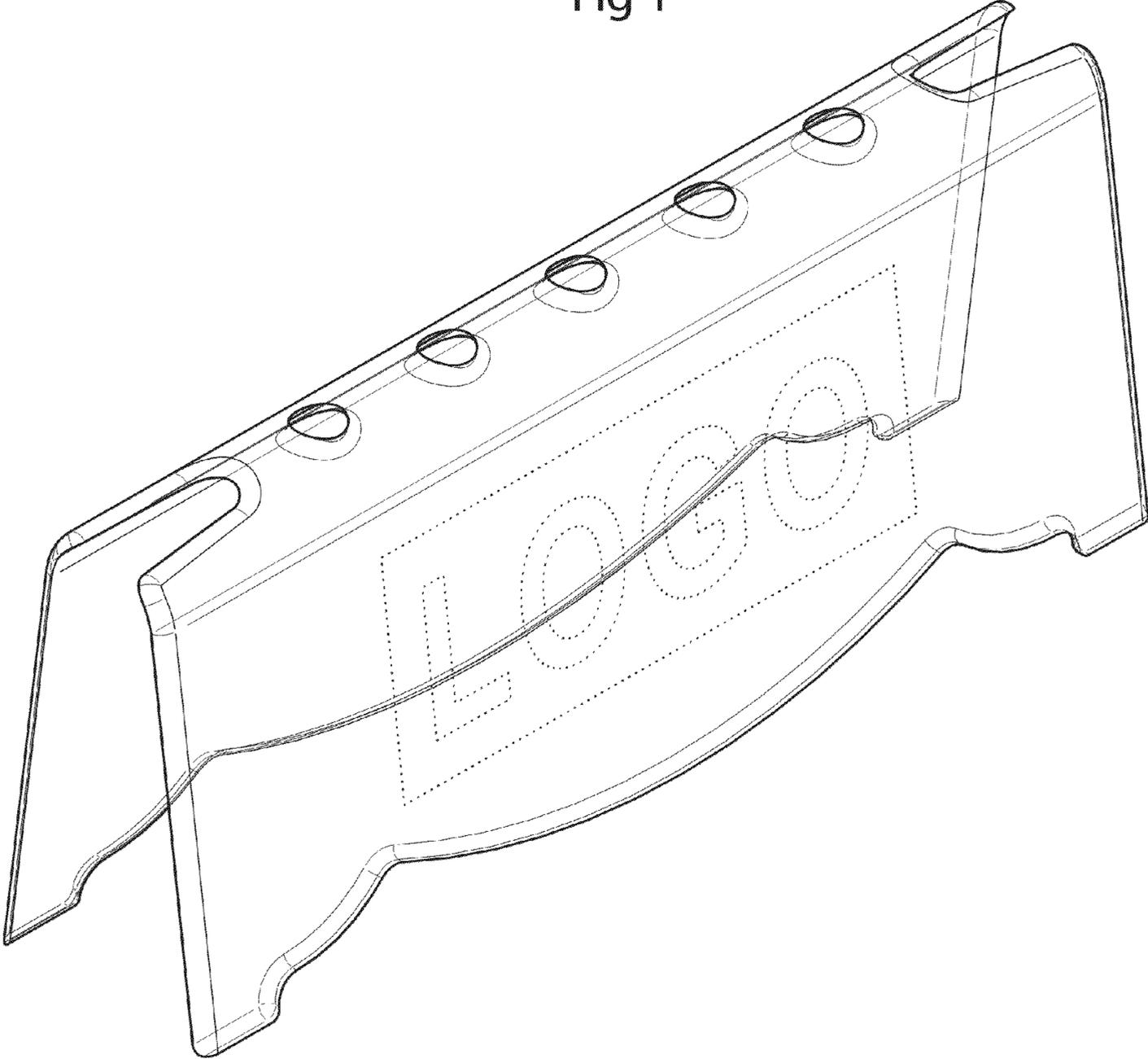


Fig 1



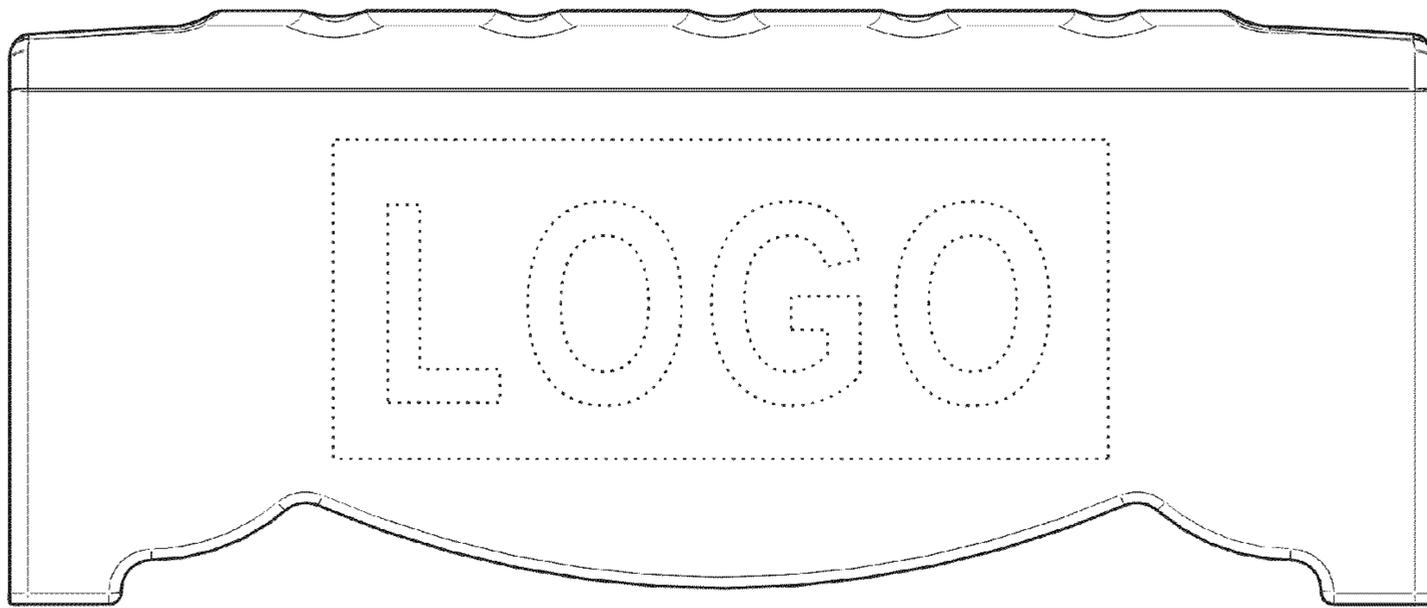


Fig 2

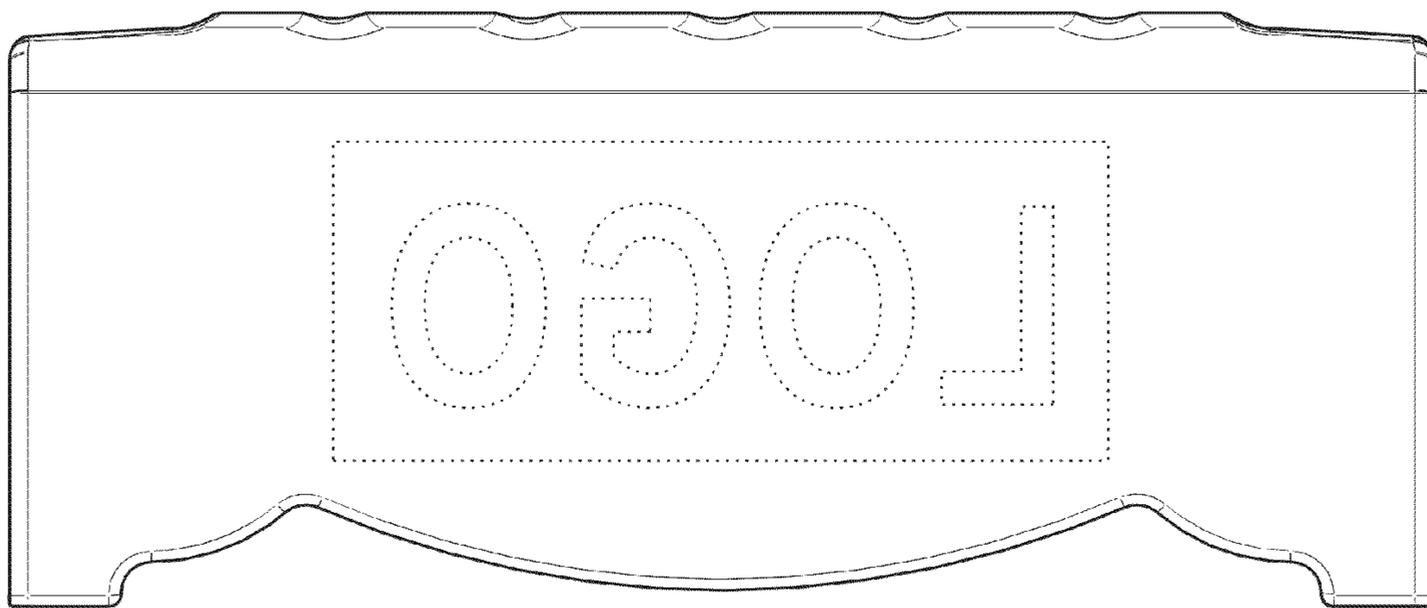


Fig 3

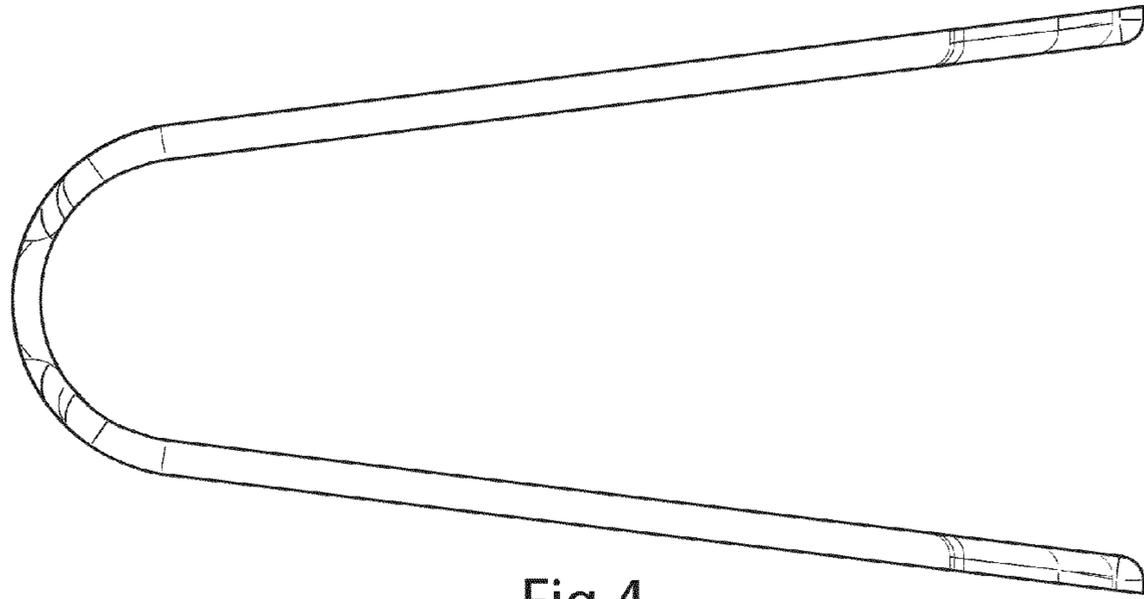


Fig 4

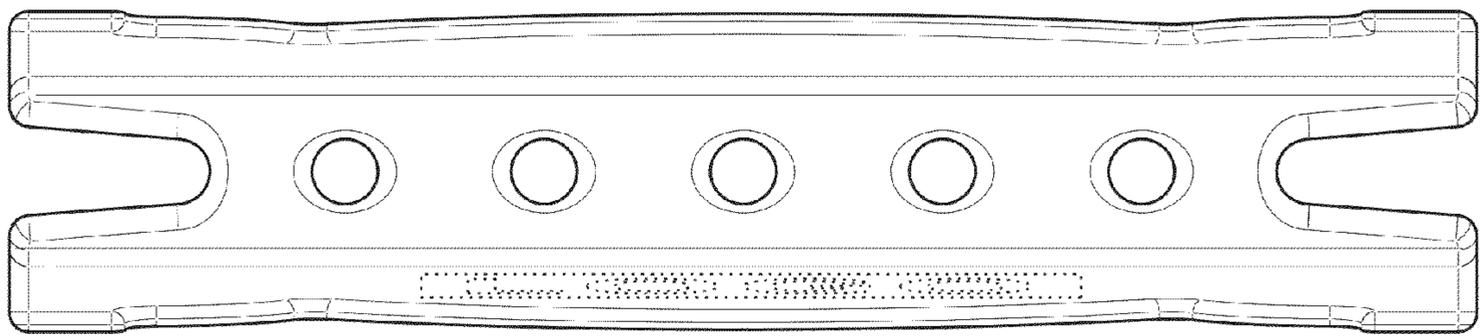


Fig 5

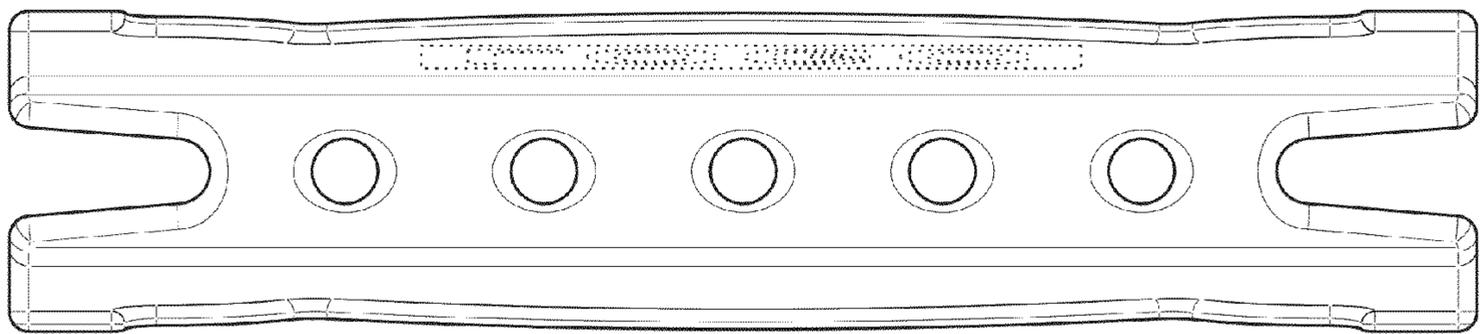


Fig 6