



US00D690562S

(12) **United States Design Patent**  
**Hasegawa**

(10) **Patent No.:** **US D690,562 S**

(45) **Date of Patent:** **\*\* Oct. 1, 2013**

- (54) **KITCHEN KNIFE**
- (71) Applicant: **Kai R&D Center Co., Ltd.**, Seki (JP)
- (72) Inventor: **Katsumi Hasegawa**, Seki (JP)
- (73) Assignee: **Kai R&D Center Co., Ltd.** (JP)
- (\*\*) Term: **14 Years**
- (21) Appl. No.: **29/433,608**
- (22) Filed: **Oct. 2, 2012**
- (51) **LOC (9) Cl.** ..... **07-03**
- (52) **U.S. Cl.**  
USPC ..... **D7/649**; D7/401.2
- (58) **Field of Classification Search**  
USPC ..... D7/368, 393-395, 401.2, 642-646,  
D7/649-654, 660-664, 669, 675-676, 683,  
D7/688-692, 695-696; D8/25, 83, 99, 107,  
D8/303; D22/118; 30/137, 141-143, 147-150,  
30/322-327, 329, 335, 340, 342-344, 355;  
416/70 R  
See application file for complete search history.

- D658,455 S \* 5/2012 Wang et al. .... D7/649
- D660,097 S \* 5/2012 Chen ..... D7/649
- D660,098 S \* 5/2012 Chen ..... D7/649
- D678,734 S \* 3/2013 Harris et al. .... D7/649

**FOREIGN PATENT DOCUMENTS**

JP 1353726 3/2009

\* cited by examiner

*Primary Examiner* — Ricky Pham

(74) *Attorney, Agent, or Firm* — Fish & Richardson P.C.

(57) **CLAIM**

The ornamental design for a kitchen knife, as shown and described.

**DESCRIPTION**

FIG. 1 is a front, top and left side perspective view of a first embodiment of a kitchen knife showing my new design;  
 FIG. 2 is a front view thereof;  
 FIG. 3 is a top plan view thereof;  
 FIG. 4 is an enlarged bottom plan view thereof;  
 FIG. 5 is an enlarged right side view thereof;  
 FIG. 6 is an enlarged left side view thereof;  
 FIG. 7 is a front, top and left side perspective view of a second embodiment of a kitchen knife showing my new design;  
 FIG. 8 is a front view thereof;  
 FIG. 9 is a top plan view thereof;  
 FIG. 10 is an enlarged bottom plan view thereof;  
 FIG. 11 is an enlarged right side view thereof; and,  
 FIG. 12 is an enlarged left side view thereof.

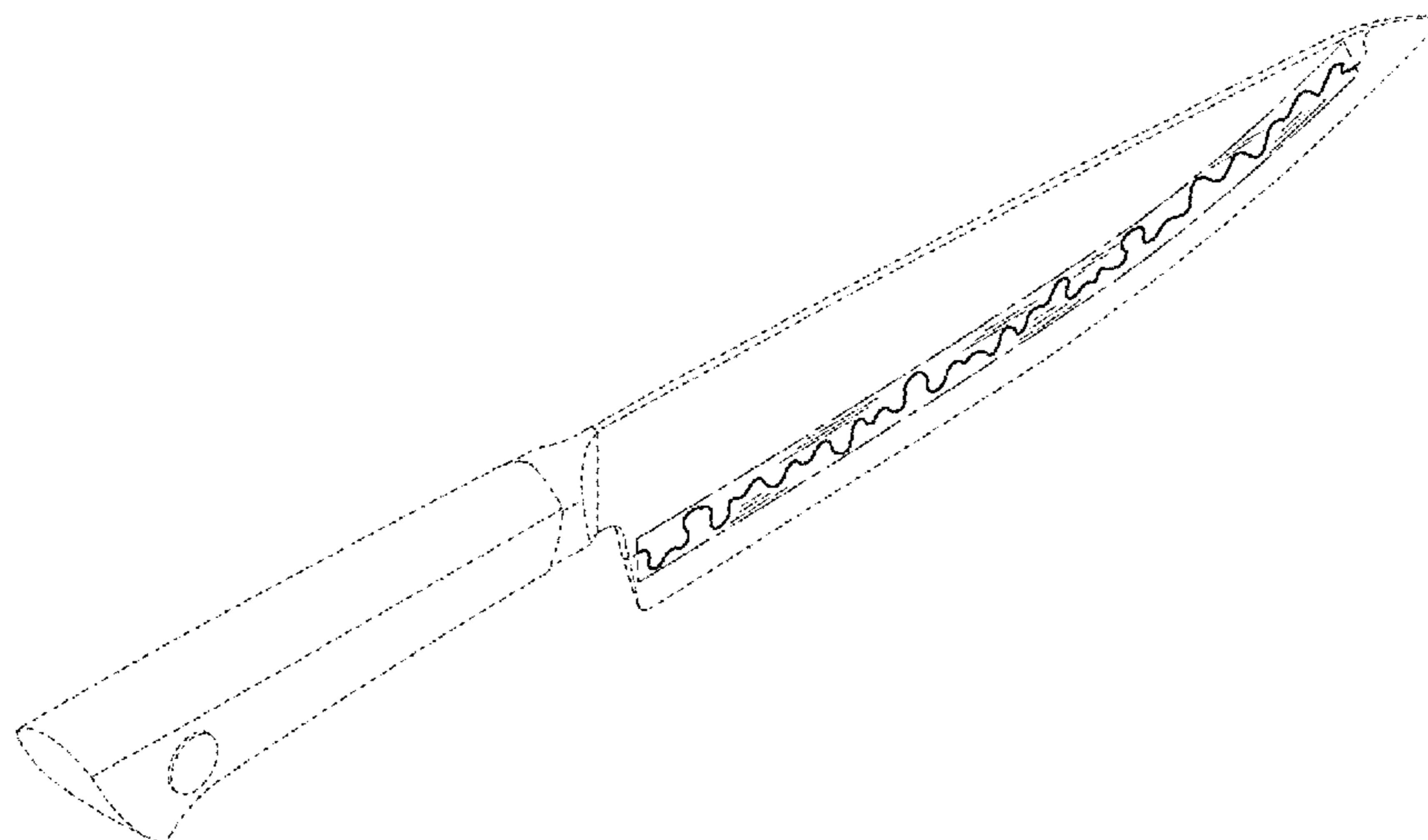
The features shown in broken lines in the drawings depict environmental subject matter only and form no part of the claimed design. The dashed-dotted lines denote the boundary of the claim and form no part of the claimed design.

**1 Claim, 8 Drawing Sheets**

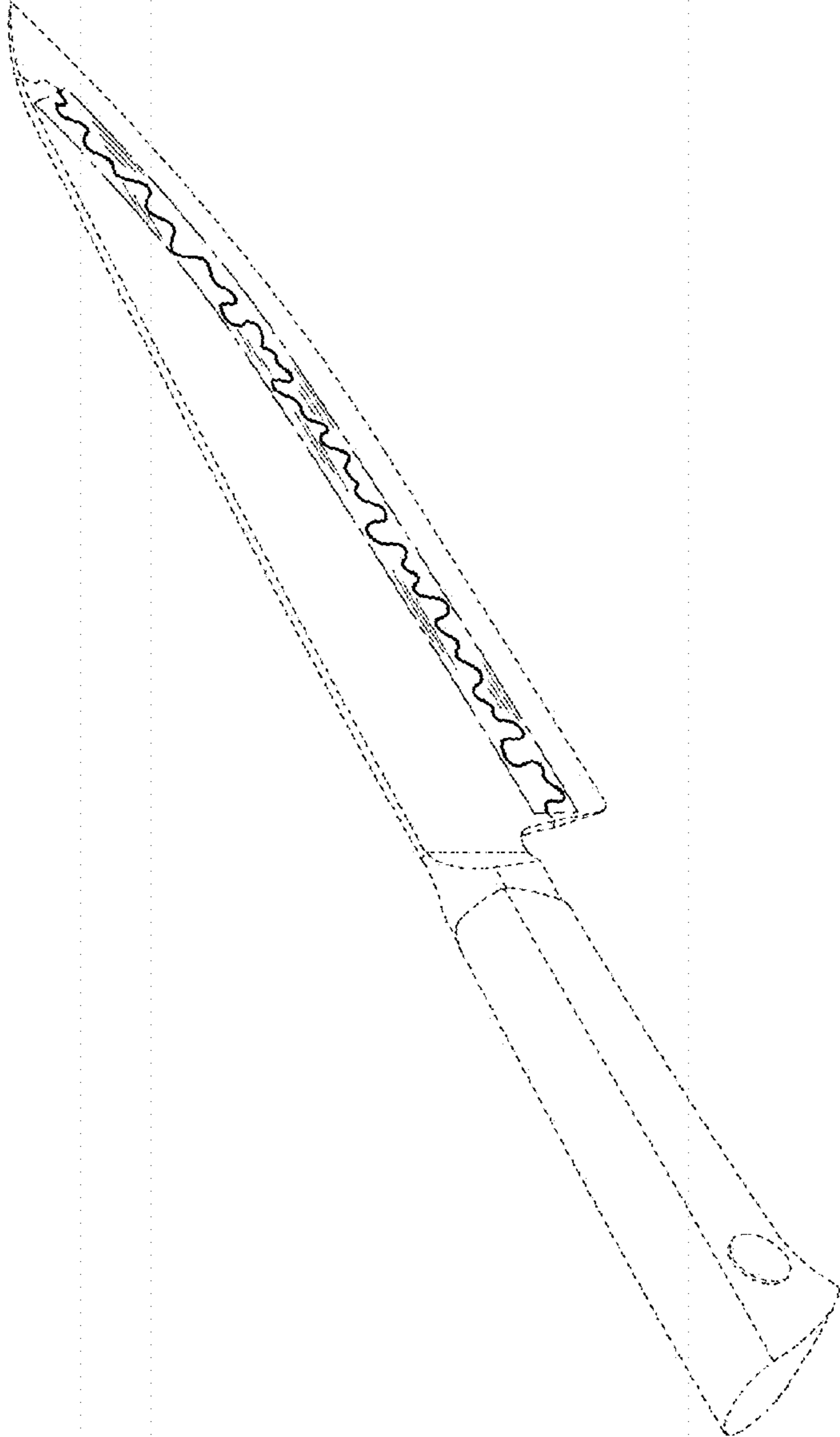
(56) **References Cited**

**U.S. PATENT DOCUMENTS**

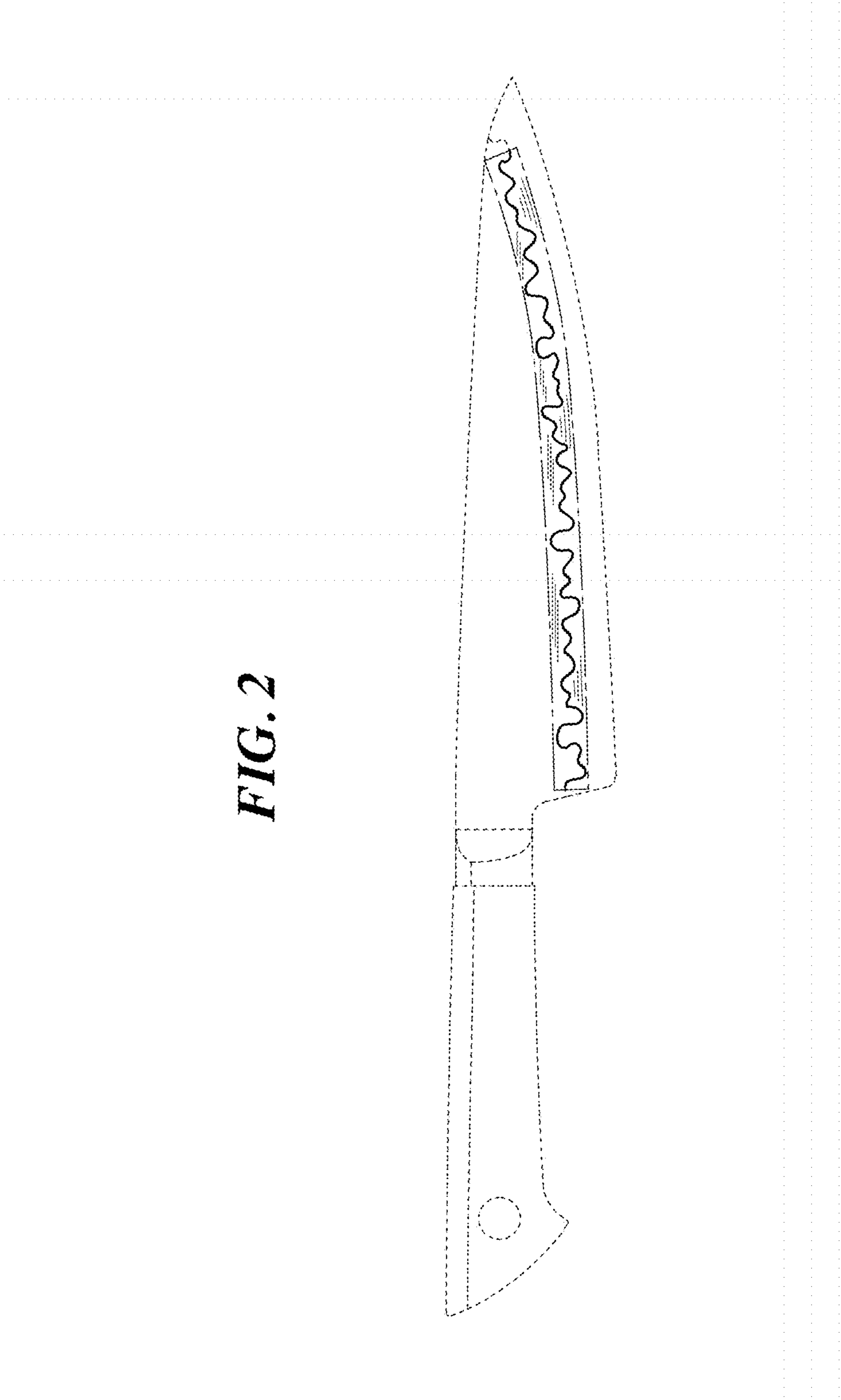
- 2,834,108 A \* 5/1958 Thompson ..... 30/355
- D269,244 S \* 6/1983 Becher et al. .... D7/650
- D324,326 S \* 3/1992 Lu ..... D7/650
- 5,787,591 A \* 8/1998 Lu ..... 30/355
- D539,083 S \* 3/2007 Molayem ..... D7/393
- D546,134 S \* 7/2007 Leuze ..... D7/649
- D551,518 S \* 9/2007 Leuze ..... D7/649
- D554,437 S \* 11/2007 Ono ..... D7/649
- D579,731 S \* 11/2008 Ono ..... D7/649



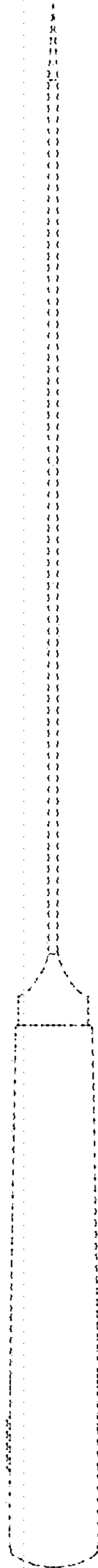
**FIG. 1**



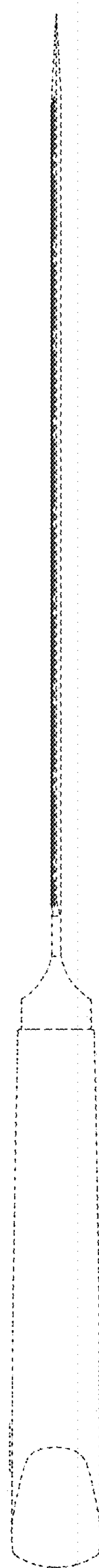
**FIG. 2**



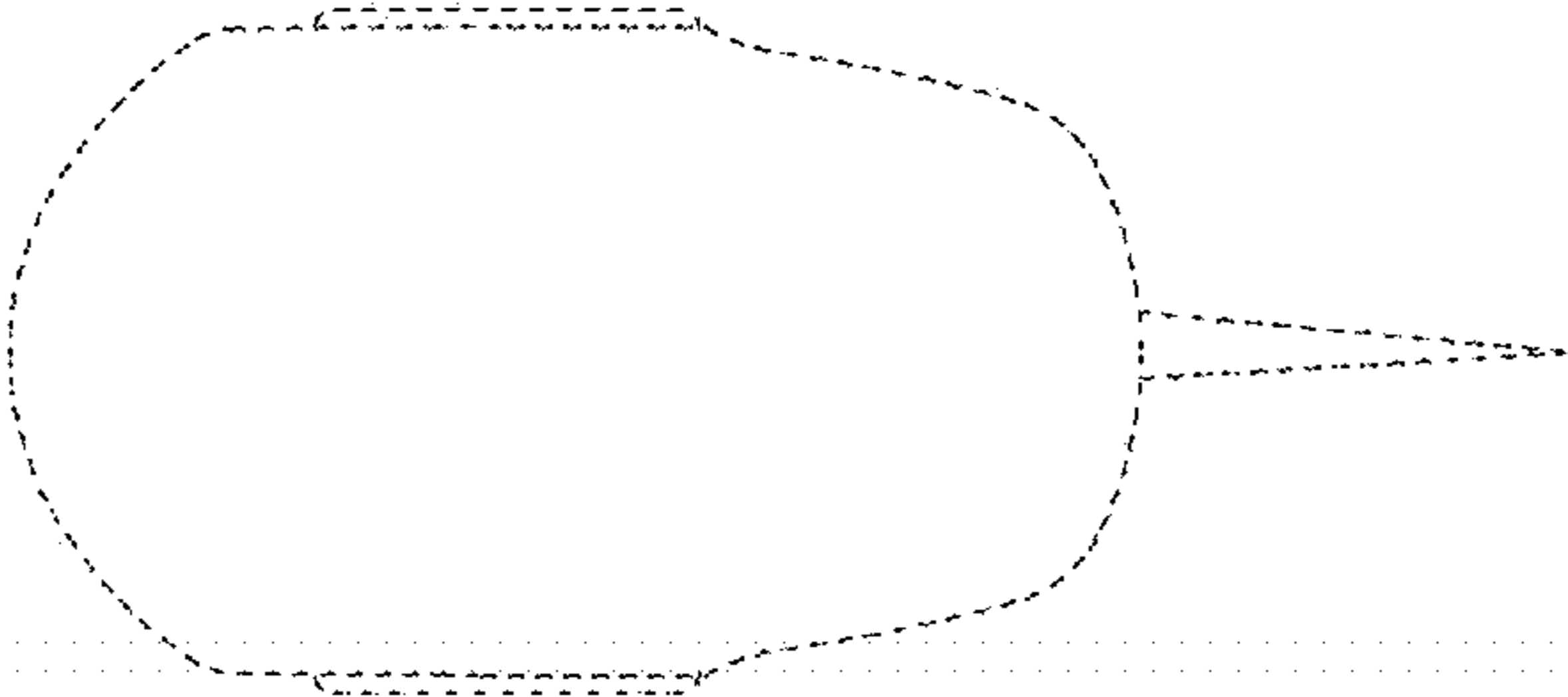
*FIG. 3*



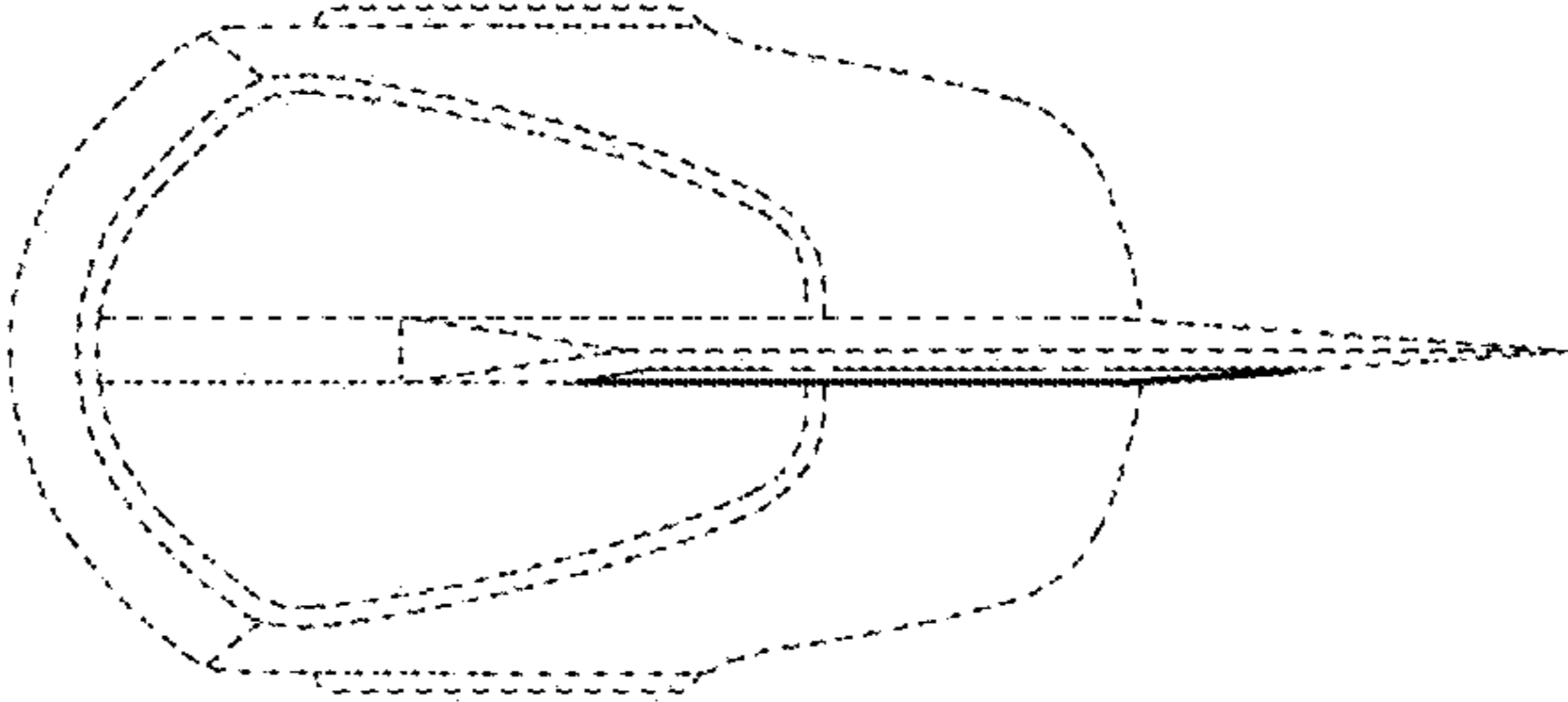
*FIG. 4*



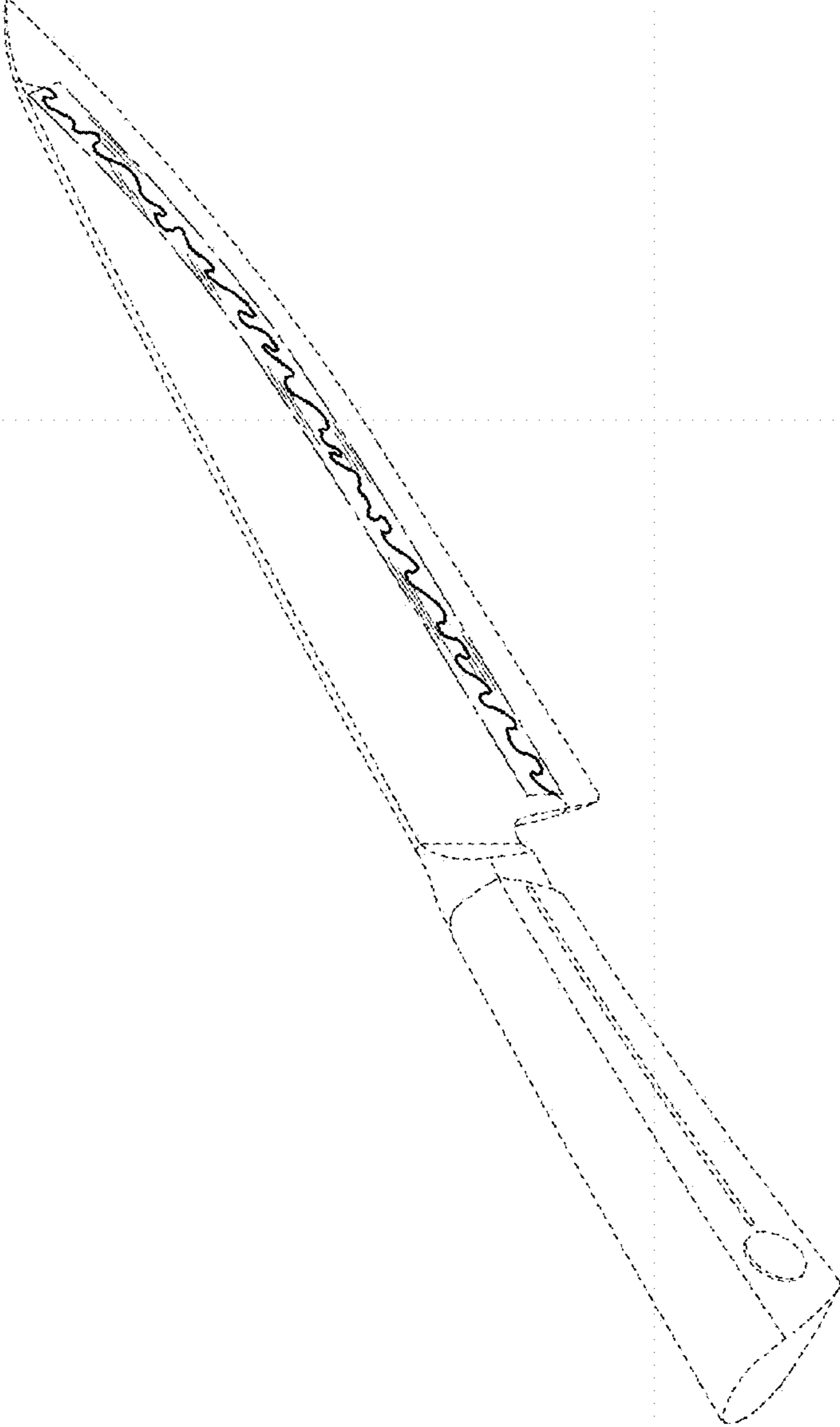
**FIG. 6**



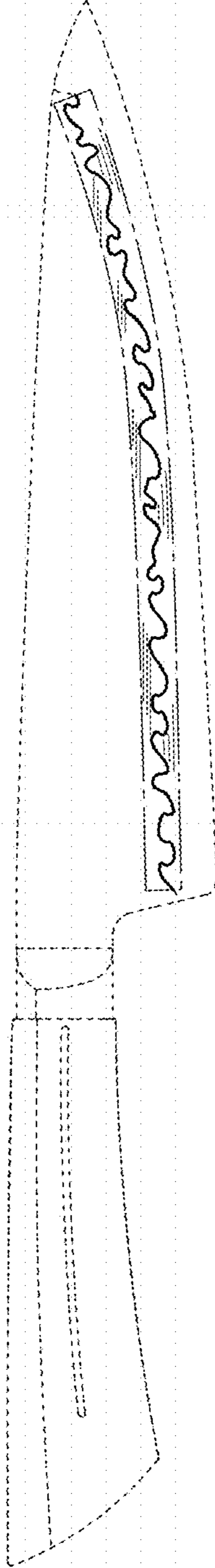
**FIG. 5**



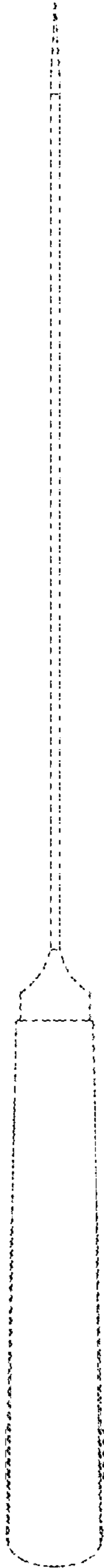
**FIG. 7**



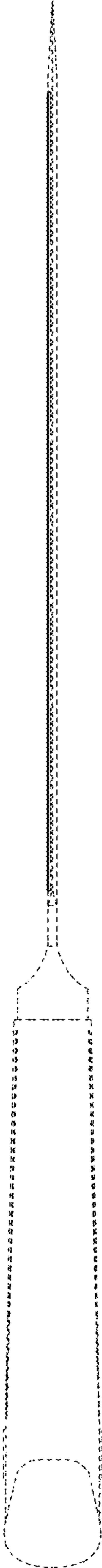
**FIG. 8**



*FIG. 9*

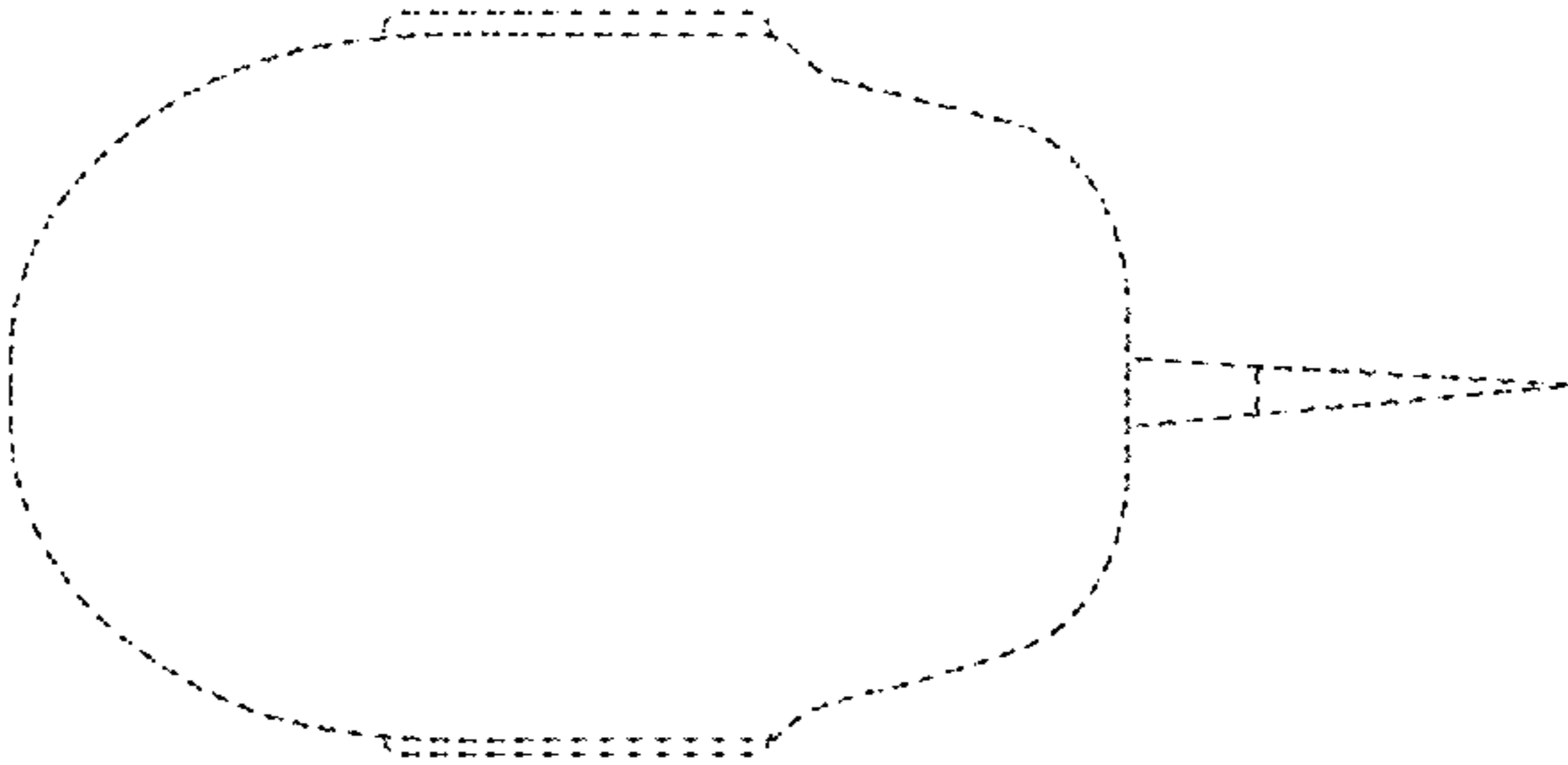


*FIG. 10*





**FIG. 12**



**FIG. 11**

