



US00D690559S

(12) **United States Design Patent**
Lane

(10) **Patent No.:** **US D690,559 S**
(45) **Date of Patent:** **** Oct. 1, 2013**

- (54) **DRINK BOTTLE WITH SNAP CAP**
- (71) Applicant: **Marvin Lane**, Round Lake Beach, IL (US)
- (72) Inventor: **Marvin Lane**, Round Lake Beach, IL (US)
- (73) Assignee: **Thermos L.L.C.**, Schaumburg, IL (US)
- (**) Term: **14 Years**
- (21) Appl. No.: **29/437,505**
- (22) Filed: **Nov. 16, 2012**
- (51) **LOC (9) Cl.** **07-01**
- (52) **U.S. Cl.**
USPC **D7/510; D7/511; D7/608**
- (58) **Field of Classification Search**
USPC D7/300.1, 510, 511, 509, 523, 608;
D9/523, 445; 220/715, 568, 212.5, 713,
220/718; 222/570, 547
See application file for complete search history.

(56) **References Cited**

U.S. PATENT DOCUMENTS

5,310,081	A *	5/1994	McCabe	220/715
D455,611	S *	4/2002	Kitamura et al.	D7/608
D456,218	S *	4/2002	Hatsumoto	D7/608
D474,376	S *	5/2003	Kitamura et al.	D7/608
7,073,678	B1 *	7/2006	Dibdin et al.	220/254.1
D538,110	S *	3/2007	Kitamura et al.	D7/608
D555,000	S *	11/2007	Bunce et al.	D9/529
D587,969	S *	3/2009	Gilbert	D7/510
D588,411	S *	3/2009	Watanabe	D7/510
D592,012	S *	5/2009	Carreno	D7/510
D596,460	S *	7/2009	Nezu	D7/510
D608,640	S *	1/2010	Carreno	D9/449
D614,961	S *	5/2010	Thomas et al.	D9/529
D615,412	S *	5/2010	Thomas et al.	D9/529
D619,418	S *	7/2010	Nezu et al.	D7/510

D623,473	S *	9/2010	Chen	D7/510
D655,580	S *	3/2012	Kotani	D7/608
D655,581	S *	3/2012	Kotani	D7/608
D656,360	S *	3/2012	Miller et al.	D7/510
D656,787	S *	4/2012	Phillips et al.	D7/510
D658,072	S *	4/2012	Davis et al.	D9/689
D667,268	S *	9/2012	Pallotto	D7/510
D667,269	S *	9/2012	Pallotto	D7/510
D675,873	S *	2/2013	Miller et al.	D7/510
D676,278	S *	2/2013	Wong	D7/510
D676,708	S *	2/2013	Lane	D7/510
D678,729	S *	3/2013	Peeters et al.	D7/608

* cited by examiner

Primary Examiner — Marianne Pandozzi

(74) *Attorney, Agent, or Firm* — Schiff Hardin LLP

(57) **CLAIM**

The ornamental design of the drink bottle with snap cap, as shown and described.

DESCRIPTION

FIG. 1 is a perspective view taken from the upper, front, right-hand side of the drink bottle with snap cap of the present invention;

FIG. 2 is a perspective view taken from the lower, back, left-hand side of the drink bottle with snap cap of FIG. 1;

FIG. 3 is a side elevational view of the left side of the drink bottle with snap cap of FIG. 1;

FIG. 4 is a front elevational view of the drink bottle with snap cap of FIG. 1;

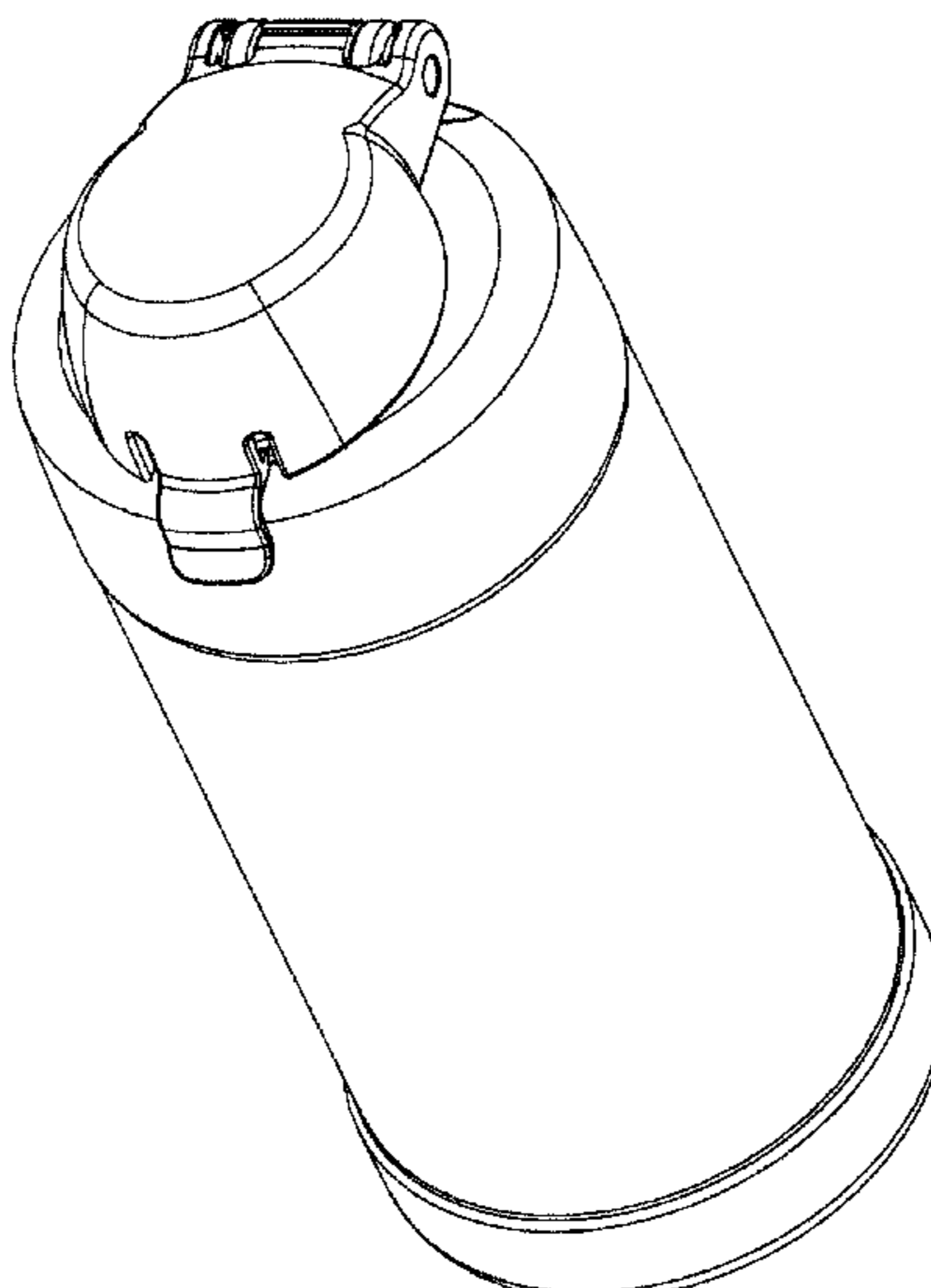
FIG. 5 is a side elevational view of the right side of the drink bottle with snap cap of FIG. 1;

FIG. 6 is a rear elevational view of the drink bottle with snap cap of FIG. 1;

FIG. 7 is an enlarged top plan view of the drink bottle with snap cap of FIG. 1; and,

FIG. 8 is an enlarged bottom plan view of the drink bottle with snap cap of FIG. 1.

1 Claim, 8 Drawing Sheets



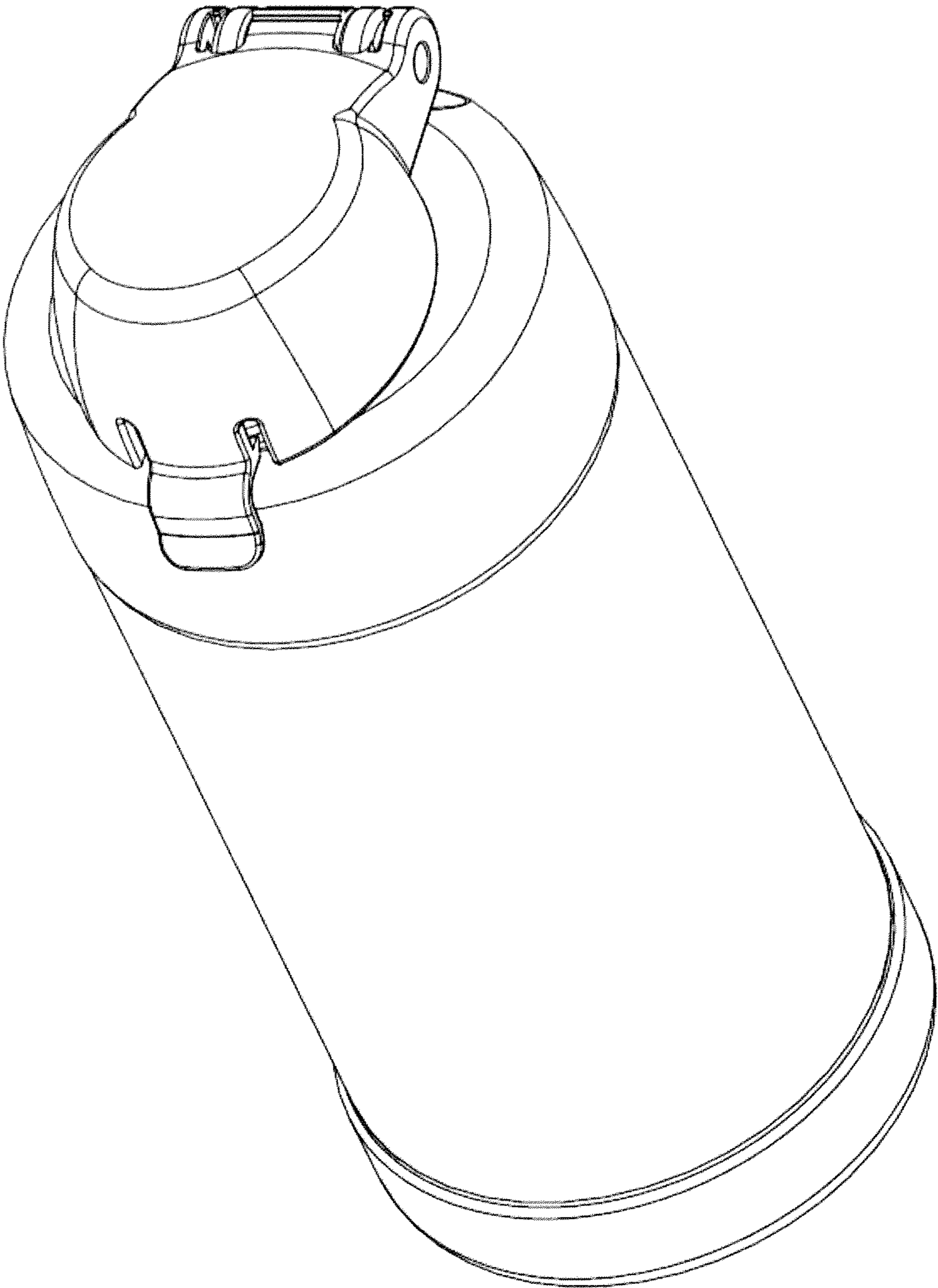


Fig. 1

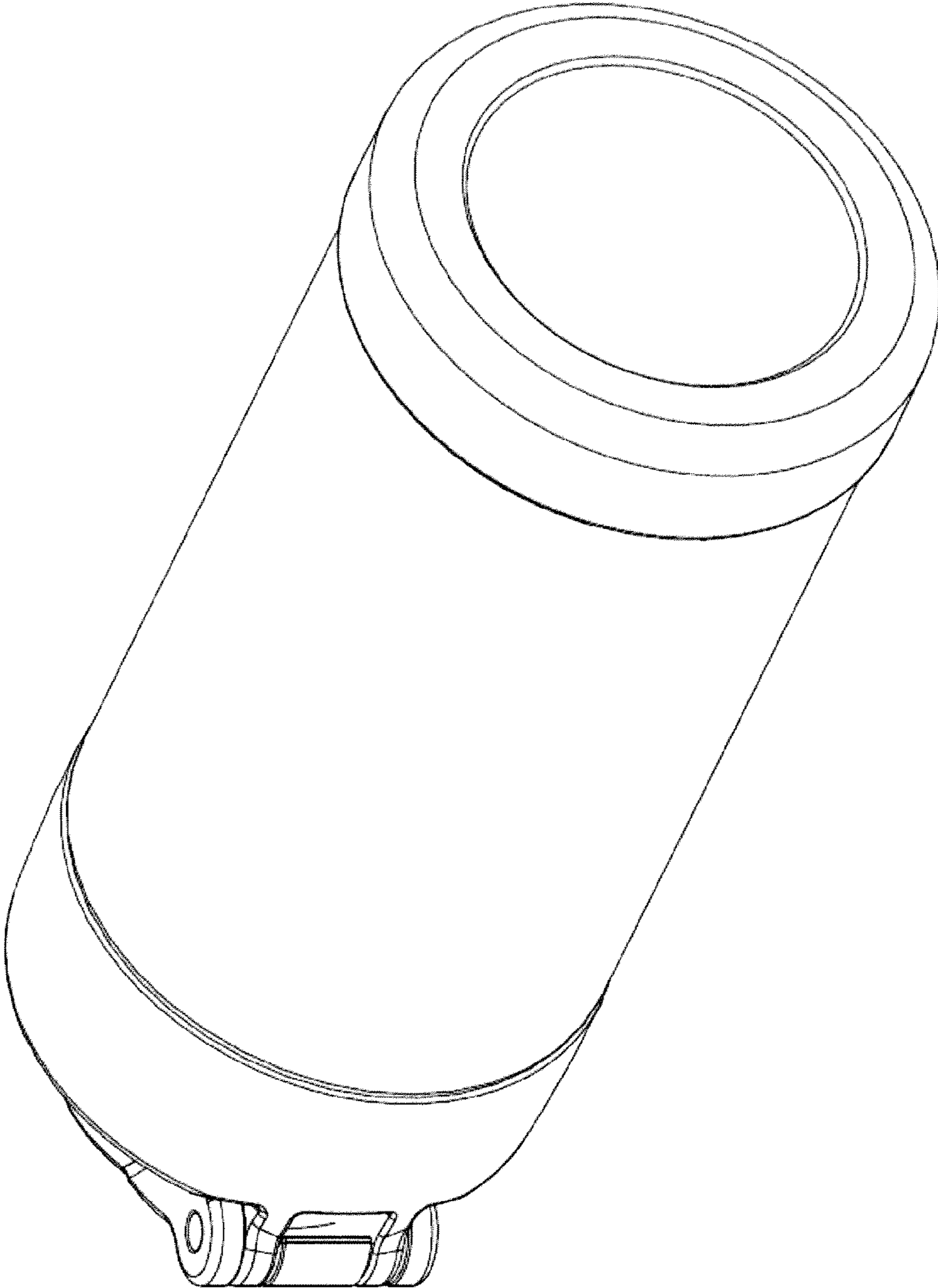


Fig. 2

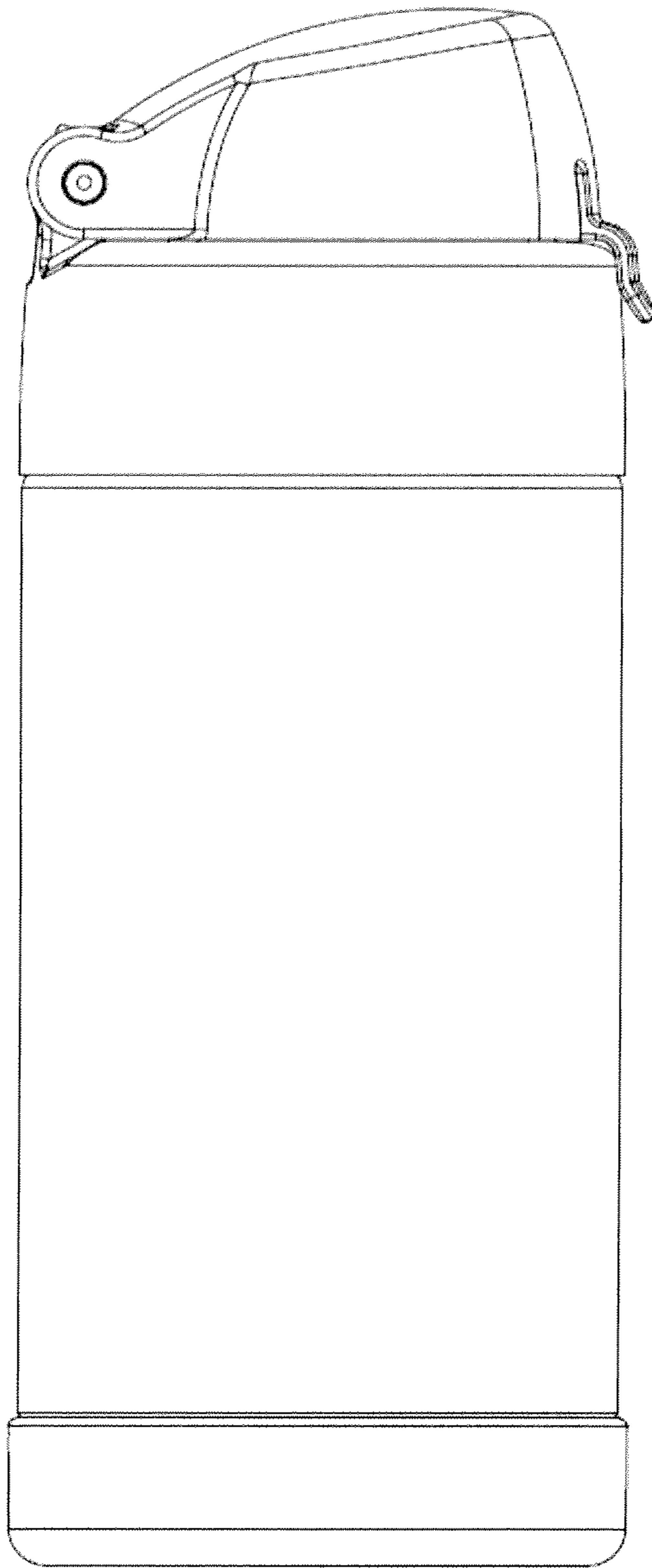


Fig. 3

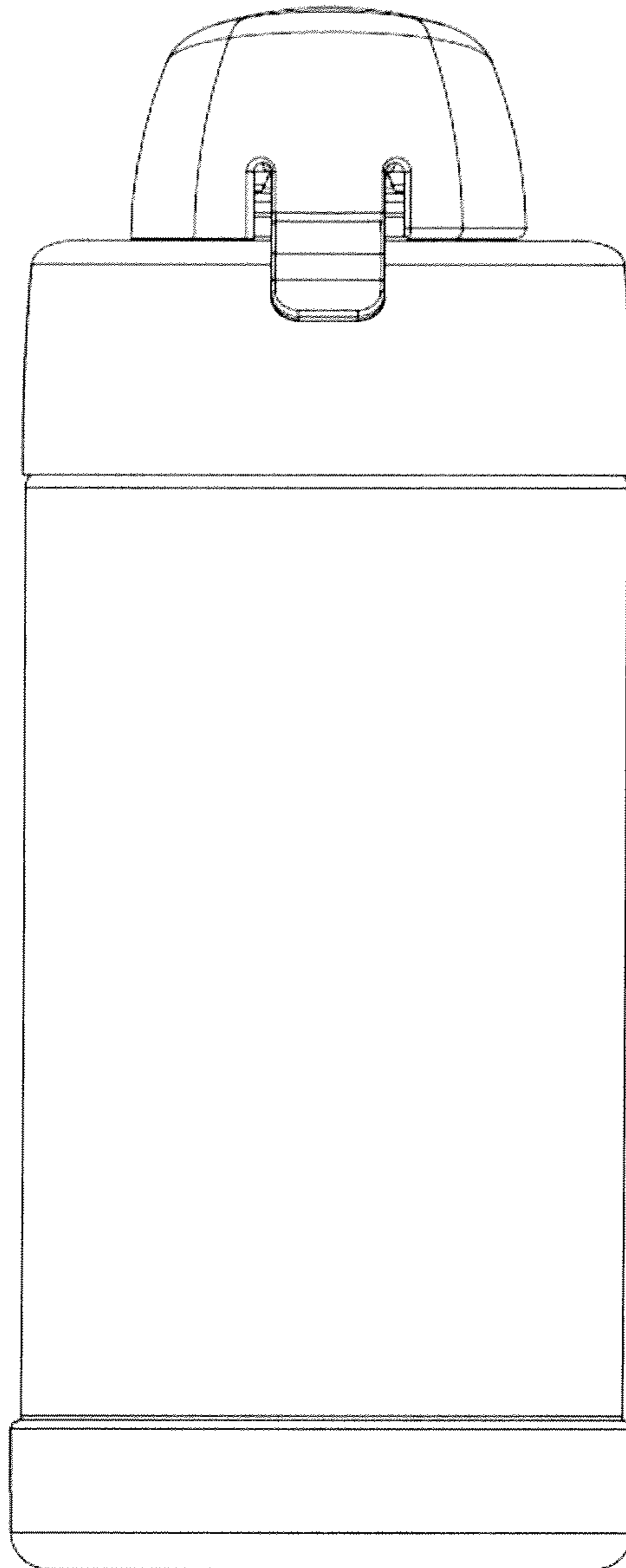


Fig. 4

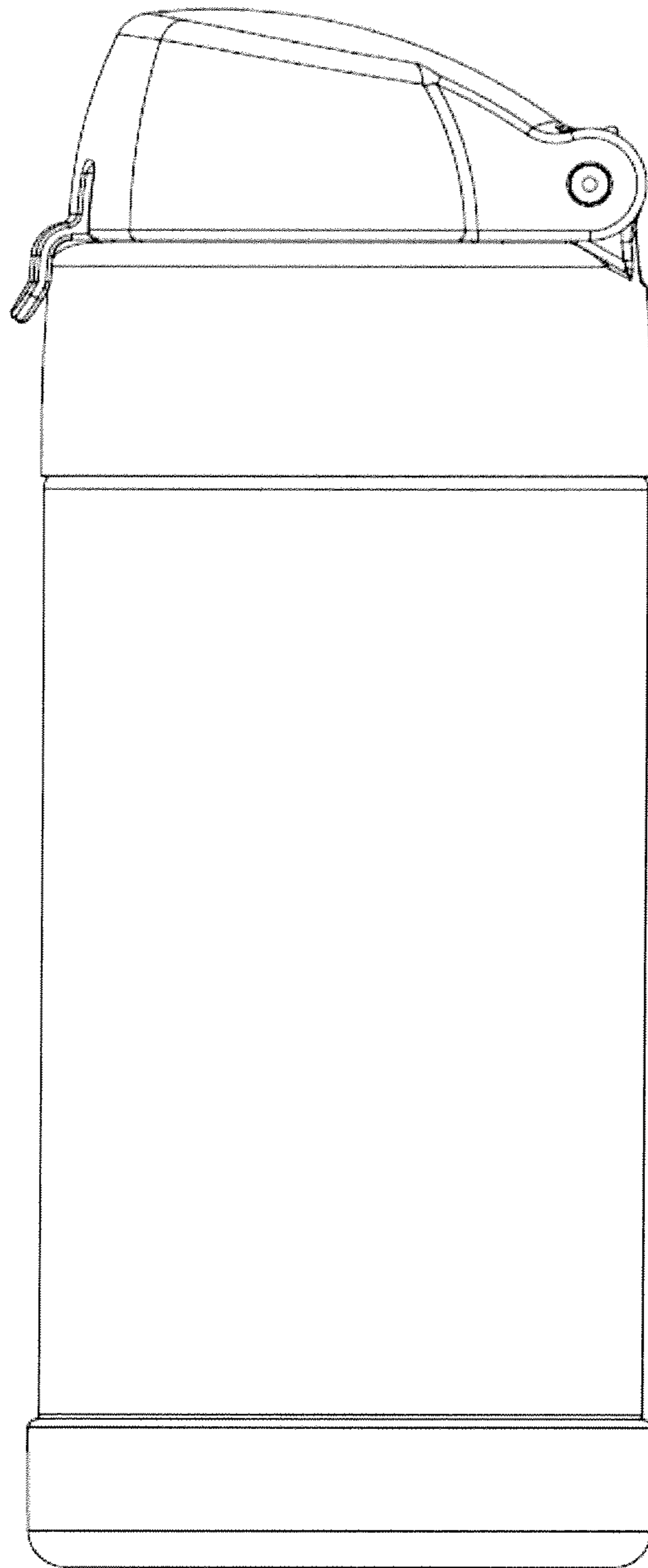


Fig. 5

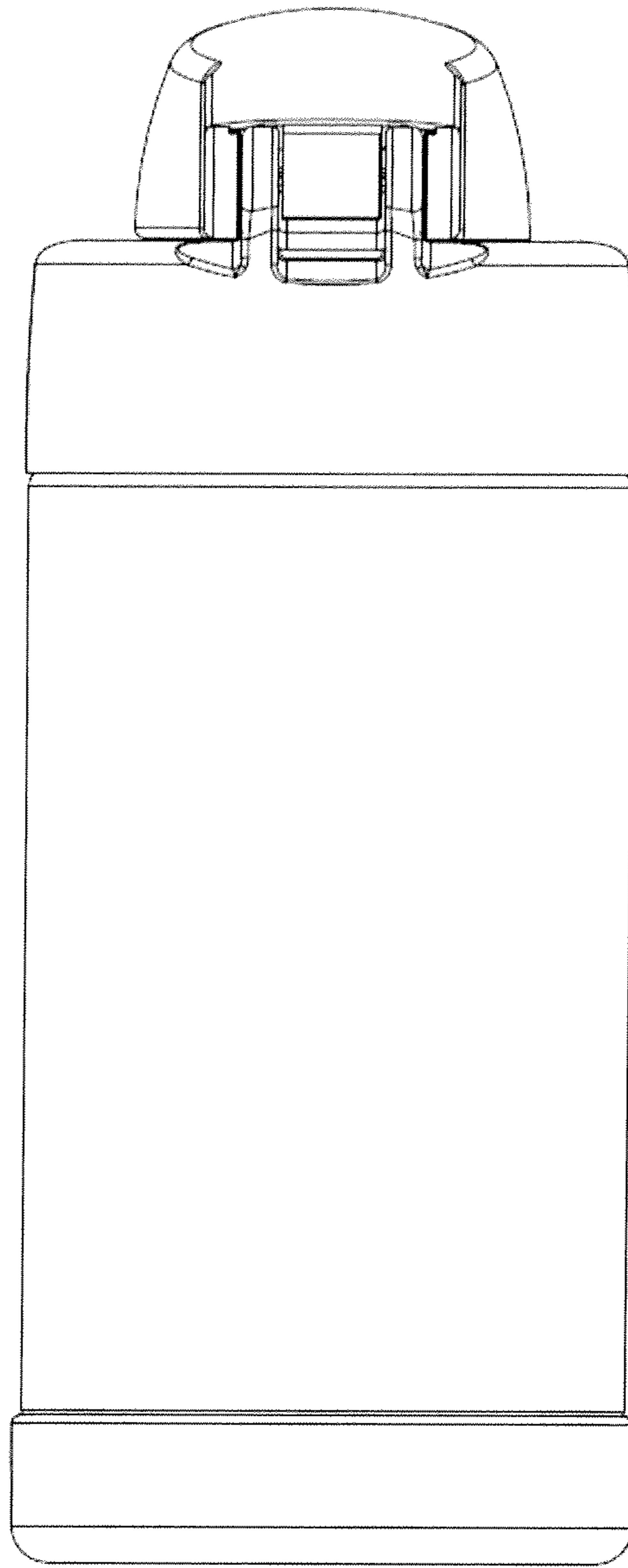


Fig. 6

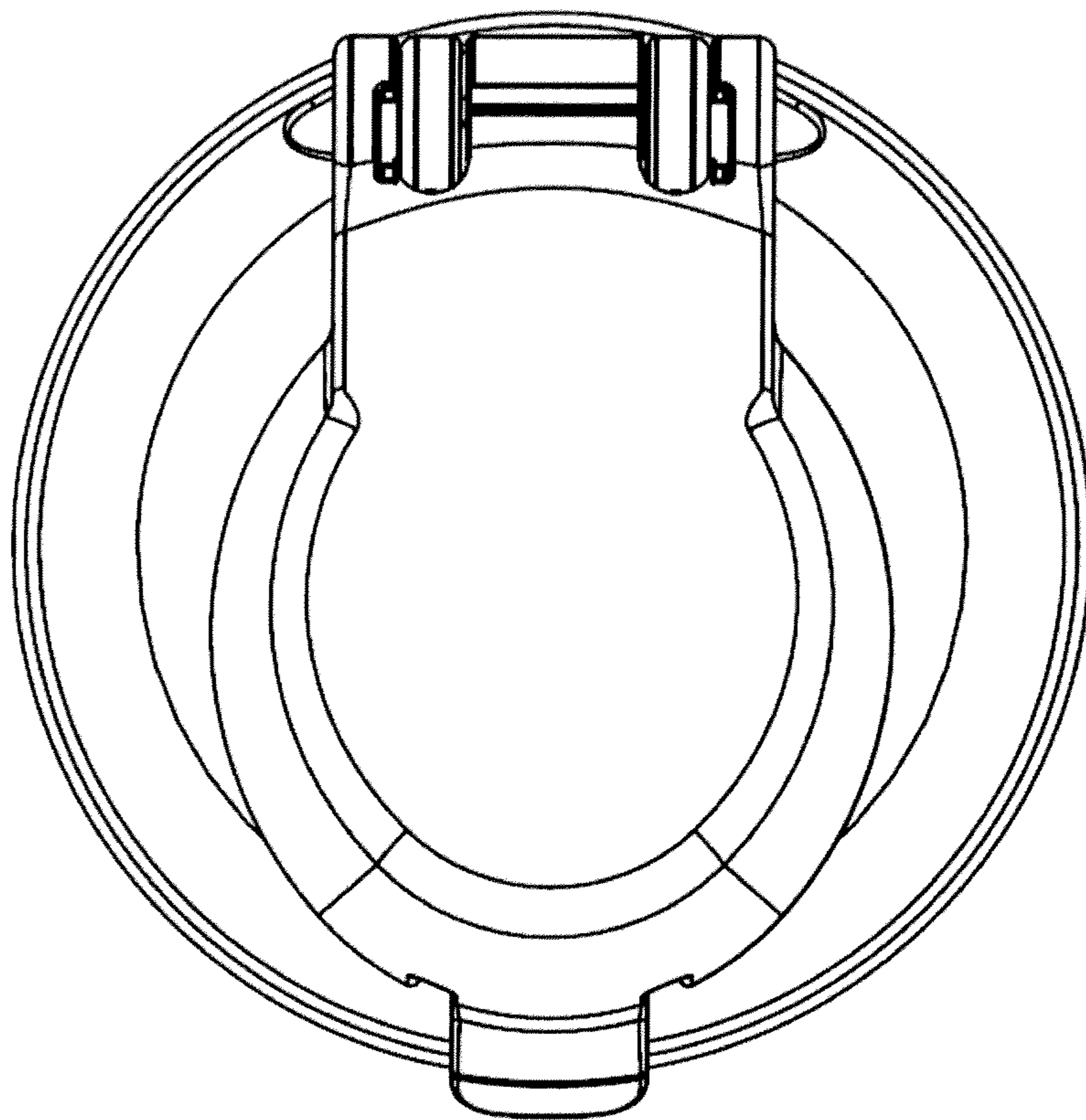


Fig. 7

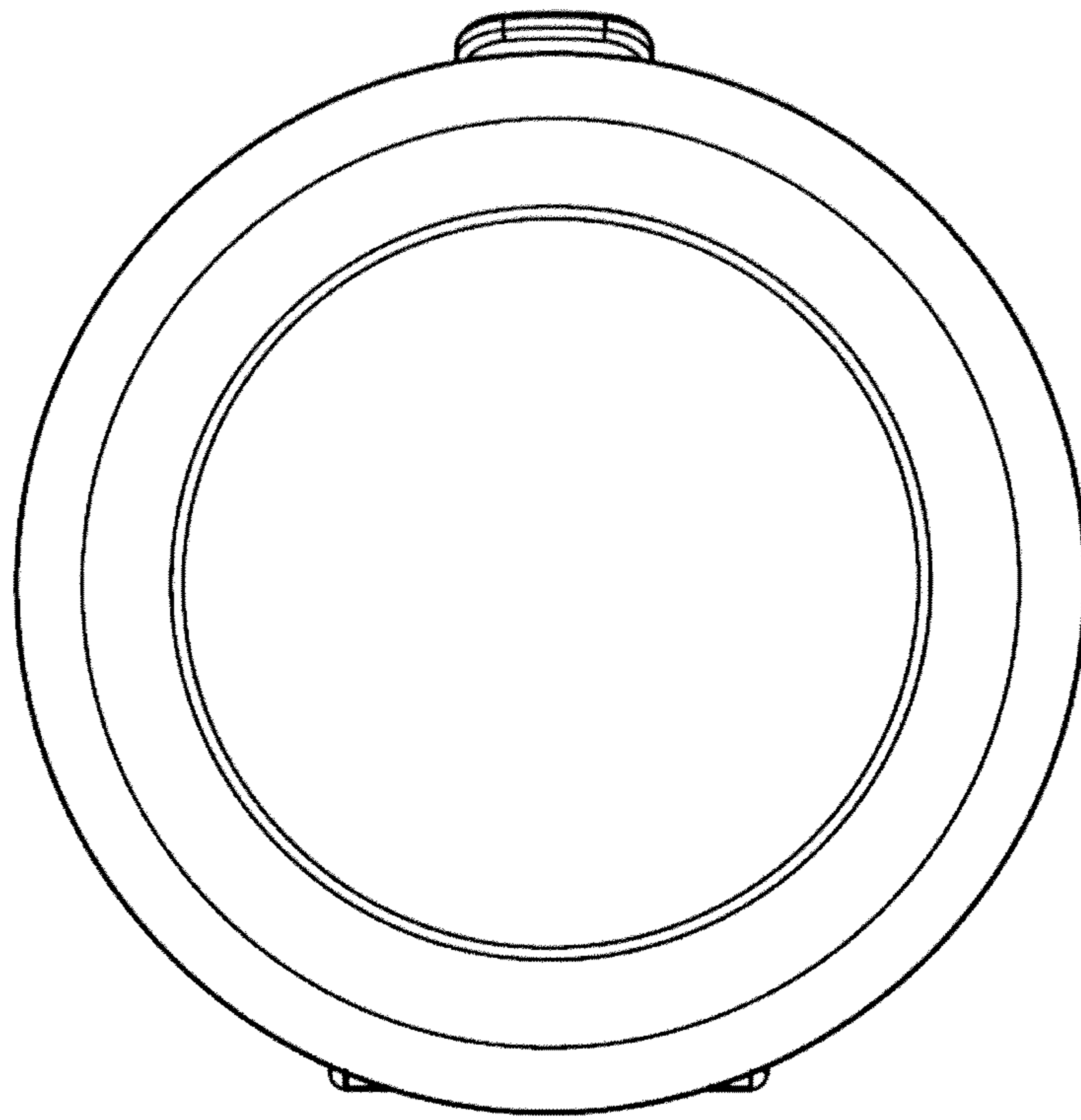


Fig. 8