

US00D690558S

(12) **United States Design Patent**
Lane

(10) **Patent No.:** **US D690,558 S**

(45) **Date of Patent:** **** Oct. 1, 2013**

(54) **DRINK BOTTLE AND LID INCLUDING LOCKABLE LID COVER**

D589,743 S 4/2009 Pearson
D592,012 S * 5/2009 Carreno D7/510
D596,460 S * 7/2009 Nezu D7/510
D608,640 S * 1/2010 Carreno D9/449

(75) Inventor: **Marvin Lane**, Round Lake Beach, IL (US)

(Continued)

(73) Assignee: **Thermos L.L.C.**, Schaumburg, IL (US)

OTHER PUBLICATIONS

(**) Term: **14 Years**

Contigo—Autospout Addison Water Bottle—24 oz., printed Jun. 20, 2012.

(21) Appl. No.: **29/422,584**

(Continued)

(22) Filed: **May 22, 2012**

Primary Examiner — Marianne Pandozzi

(51) **LOC (9) Cl.** **07-01**

(74) *Attorney, Agent, or Firm* — Schiff Hardin LLP

(52) **U.S. Cl.**

(57) **CLAIM**

USPC **D7/510; D7/511; D7/608**

The ornamental design of the drink bottle and lid including lockable lid cover, as shown and described.

(58) **Field of Classification Search**

USPC D7/300.1, 510, 511, 509, 523, 608;
D9/523, 445; 220/715, 568, 212.5, 713,
220/718; 222/570, 547

DESCRIPTION

See application file for complete search history.

FIG. 1 is a perspective view taken from the upper, front, right-hand side of the drink bottle and lid including lockable lid cover of the present invention;

(56) **References Cited**

U.S. PATENT DOCUMENTS

3,757,979	A	9/1973	Berghahn	
3,944,101	A	3/1976	Landen et al.	
5,310,081	A *	5/1994	McCabe	220/715
D436,862	S	1/2001	Witt et al.	
D451,392	S	12/2001	Kitamura et al.	
D455,611	S *	4/2002	Kitamura et al.	D7/608
D456,218	S *	4/2002	Hatsumoto	D7/608
D463,280	S	9/2002	Brozell	
6,484,895	B2	11/2002	Montgomery et al.	
D474,376	S *	5/2003	Kitamura et al.	D7/608
D514,446	S	2/2006	Choi	
D524,650	S	7/2006	Sitomer	
7,073,678	B1 *	7/2006	Dibdin et al.	220/254.1
D538,110	S *	3/2007	Kitamura et al.	D7/608
D555,000	S *	11/2007	Bunce et al.	D9/529
D571,147	S	6/2008	Rohe	
D587,969	S *	3/2009	Gilbert	D7/510
D588,411	S *	3/2009	Watanabe	D7/510

FIG. 2 is a perspective view taken from the lower, rear, left-hand side of the drink bottle and lid including lockable lid cover of FIG. 1;

FIG. 3 is a side elevational view of the left side of the drink bottle and lid including lockable lid cover of FIG. 1;

FIG. 4 is a front elevational view of the drink bottle and lid including lockable lid cover of FIG. 1;

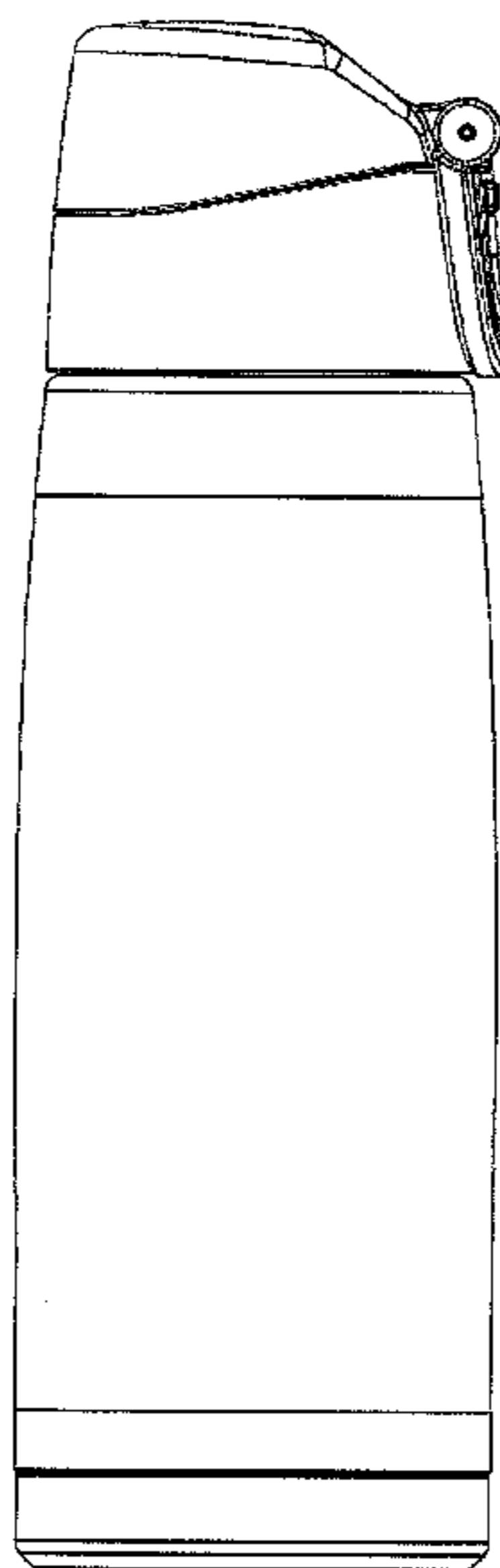
FIG. 5 is a side elevational view of the right side of the drink bottle and lid including lockable lid cover of FIG. 1;

FIG. 6 is a rear elevational view of the drink bottle and lid including lockable lid cover of FIG. 1;

FIG. 7 is a top plan view of the drink bottle and lid including lockable lid cover of FIG. 1; and,

FIG. 8 is a bottom plan view of the drink bottle and lid including lockable lid cover of FIG. 1.

1 Claim, 8 Drawing Sheets



(56)

References Cited

U.S. PATENT DOCUMENTS

D609,093 S 2/2010 Wisniewski et al.
 D610,454 S 2/2010 Lohrman et al.
 D614,961 S * 5/2010 Thomas et al. D9/529
 D615,412 S * 5/2010 Thomas et al. D9/529
 D623,473 S * 9/2010 Chen D7/510
 D623,896 S 9/2010 Wahl et al.
 D630,093 S 1/2011 Bardet
 D634,628 S 3/2011 Goto et al.
 D636,672 S 4/2011 Lohrman et al.
 D655,580 S * 3/2012 Kotani D7/608
 D655,581 S * 3/2012 Kotani D7/608
 D656,360 S * 3/2012 Miller et al. D7/510
 D656,787 S * 4/2012 Phillips et al. D7/510

D658,072 S * 4/2012 Davis et al. D9/689
 D667,268 S * 9/2012 Pallotto D7/510
 D667,269 S * 9/2012 Pallotto D7/510
 D675,873 S * 2/2013 Miller et al. D7/510
 D676,278 S * 2/2013 Wong D7/510
 D676,708 S * 2/2013 Lane D7/510
 2005/0133475 A1 6/2005 Goto et al.
 2006/0043052 A1 3/2006 Lin

OTHER PUBLICATIONS

Zojirushi product—Stainless Steel Vacuum Bottle Model No. ST-KA12, printed Jul. 26, 2011.
 Co-pending U.S. Appl. No. 13/155,512, filed Jun. 8, 2011.

* cited by examiner

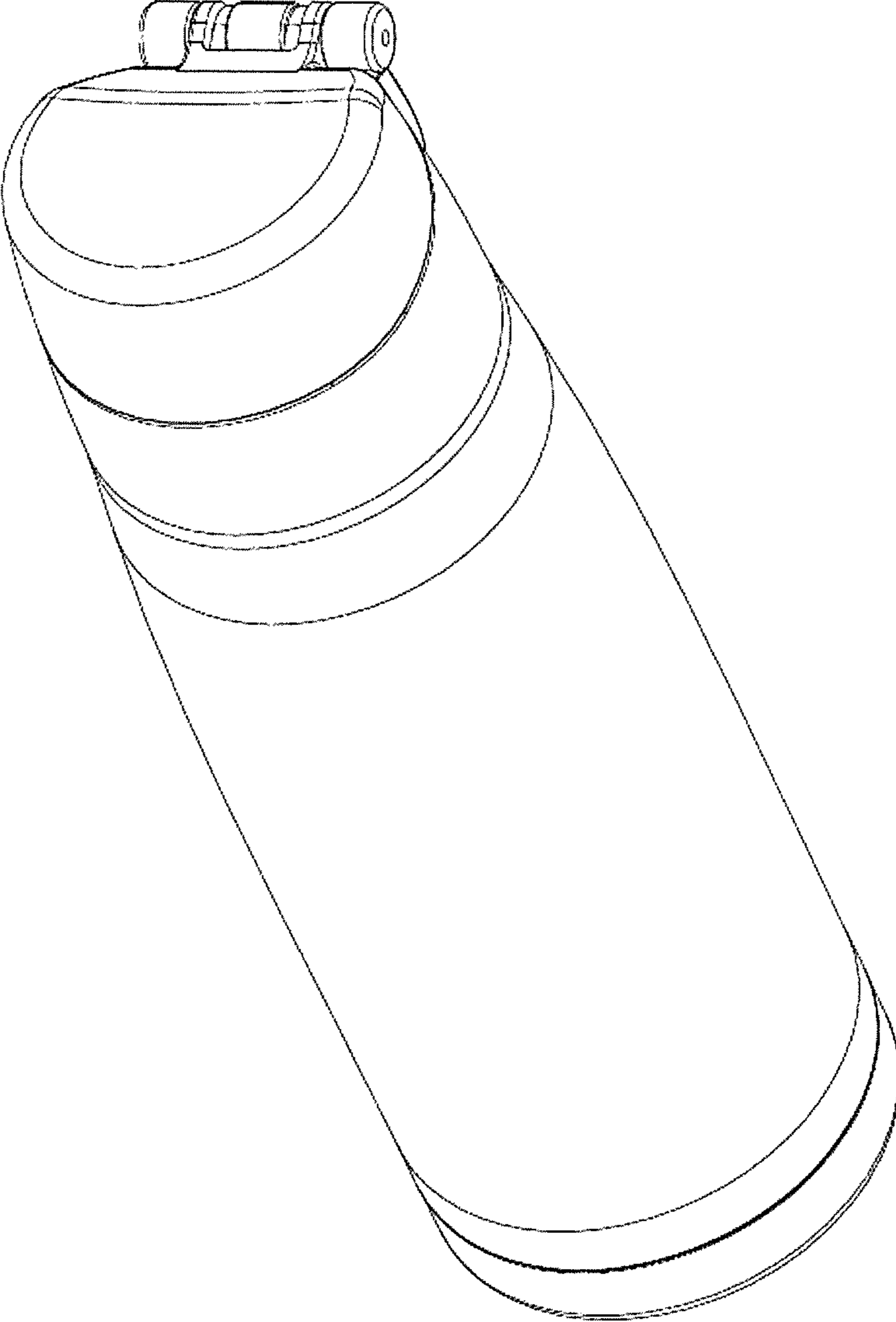


Figure 1

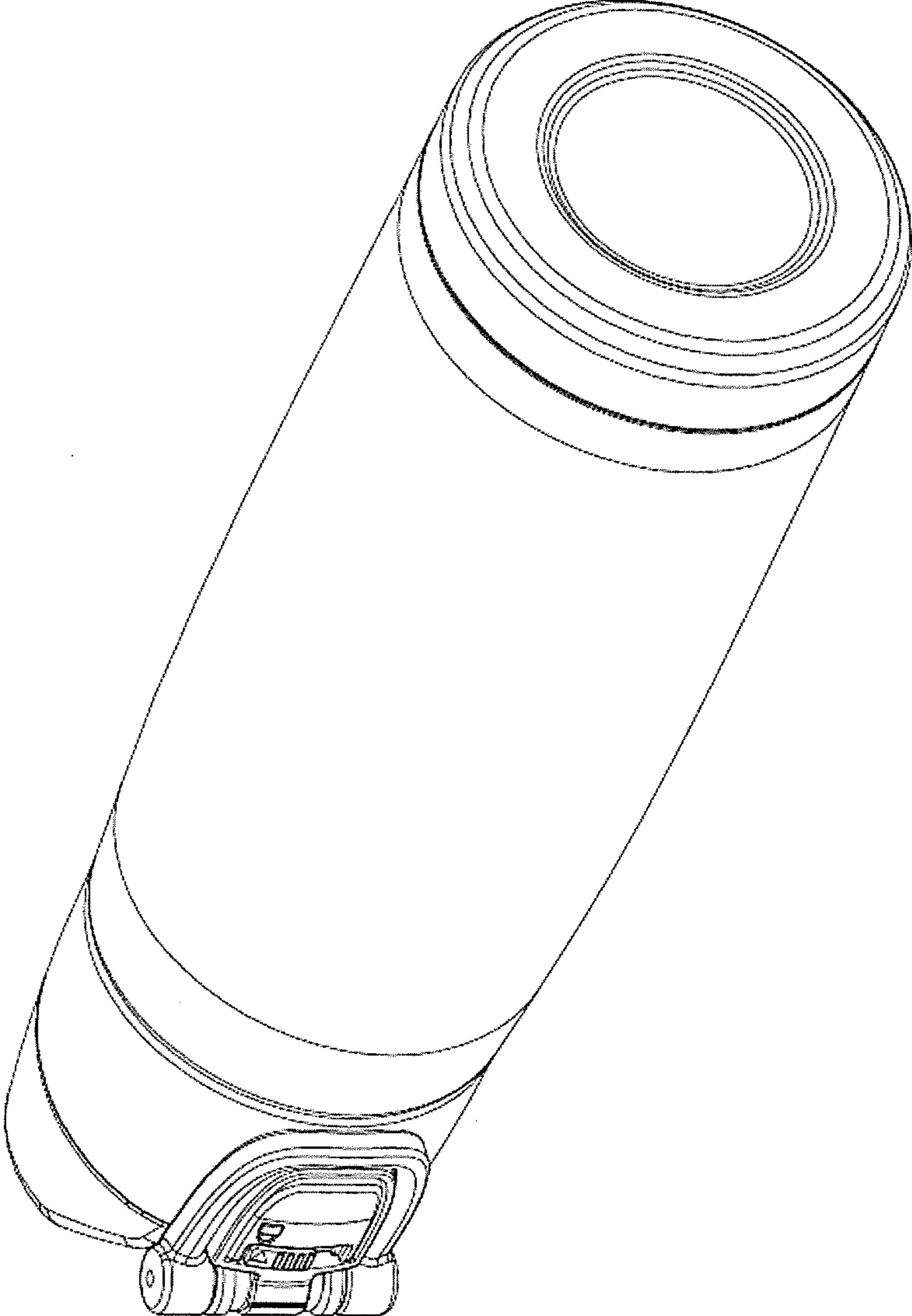


Figure 2

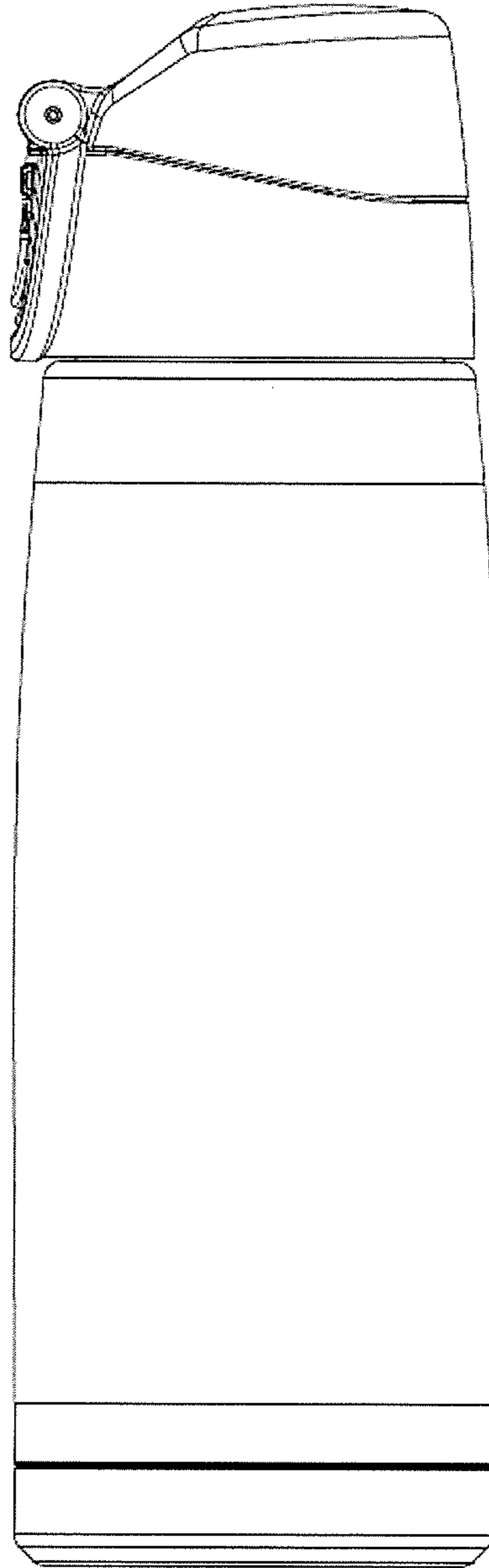


Figure 3

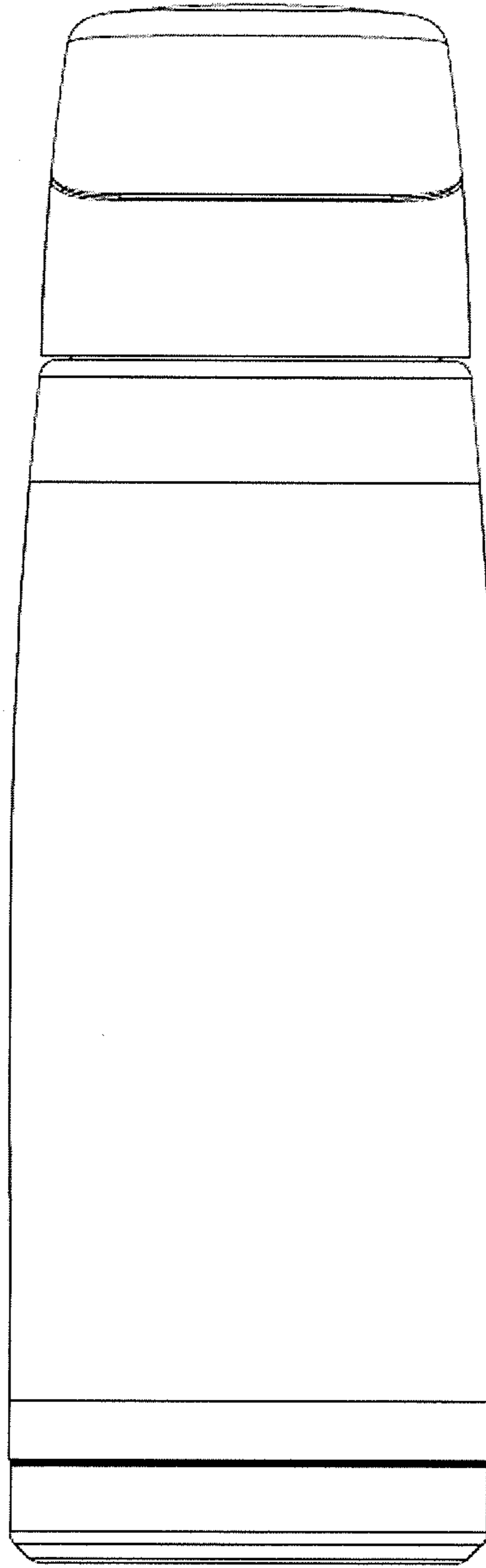


Figure 4

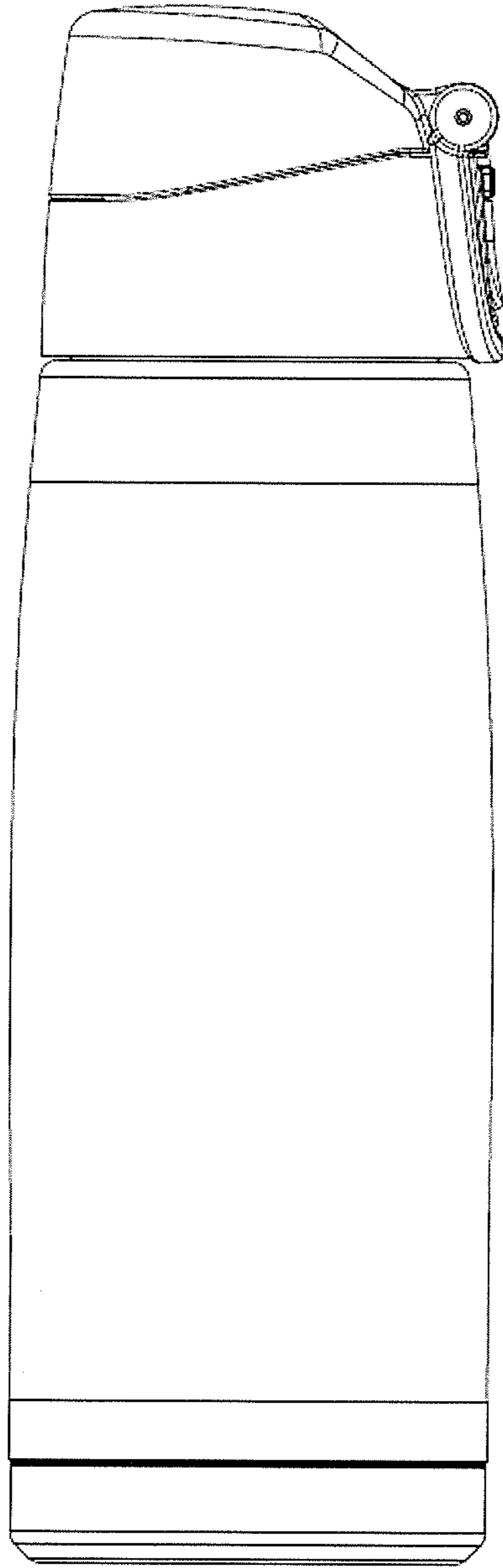


Figure 5

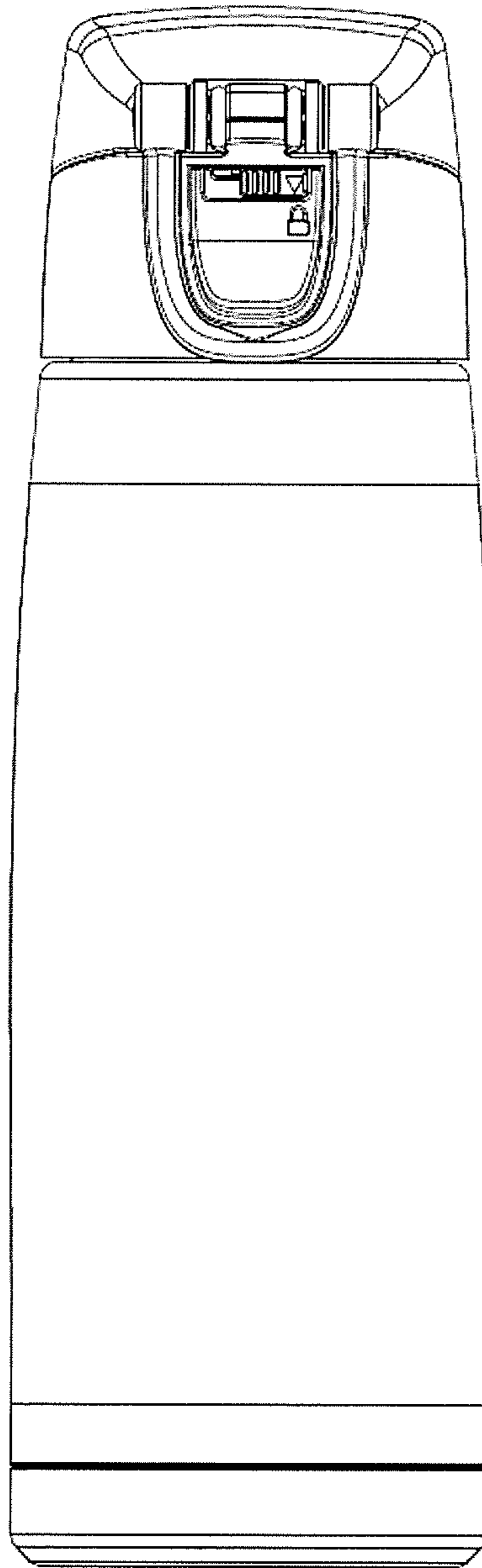


Figure 6

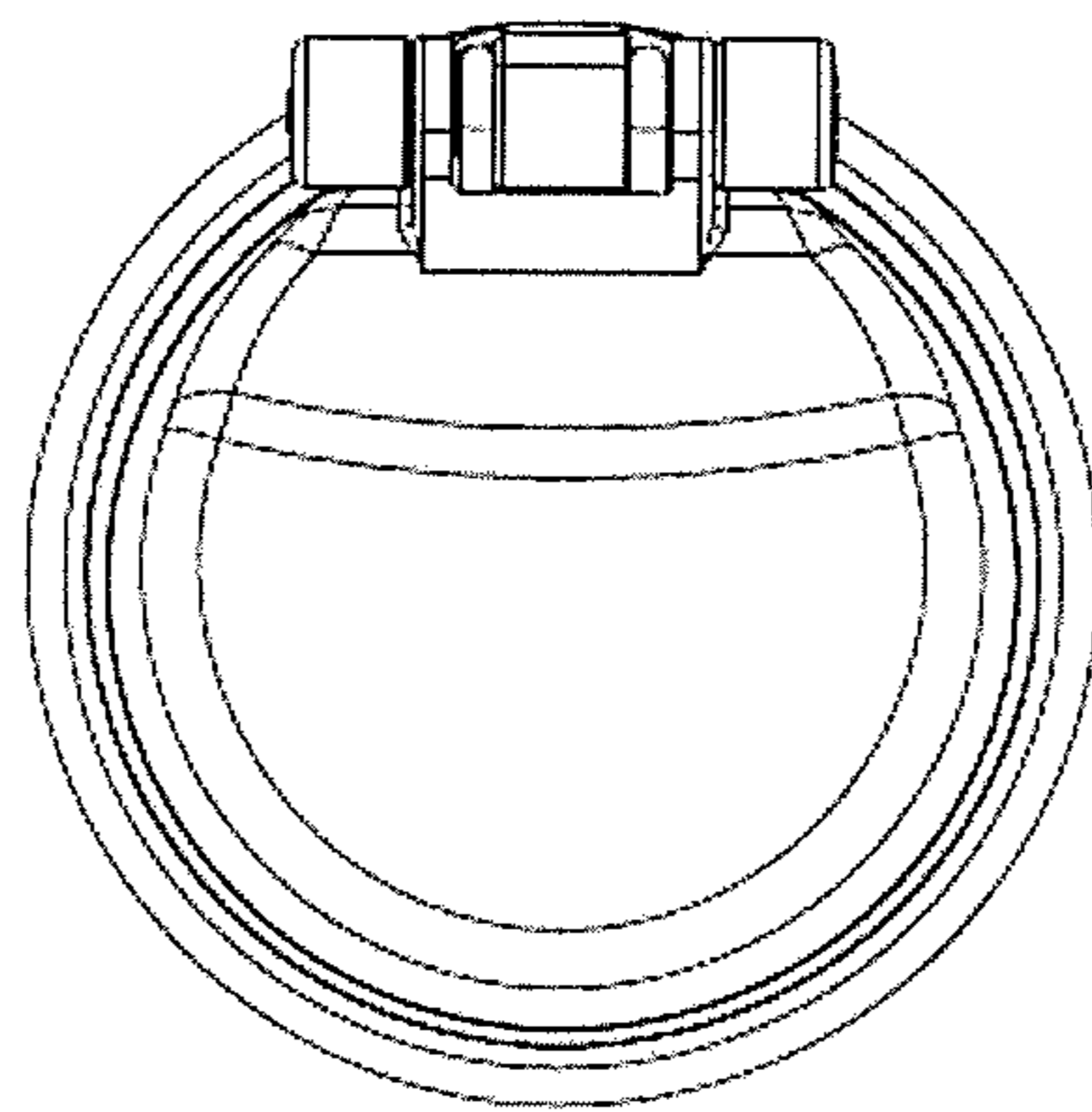


Figure 7

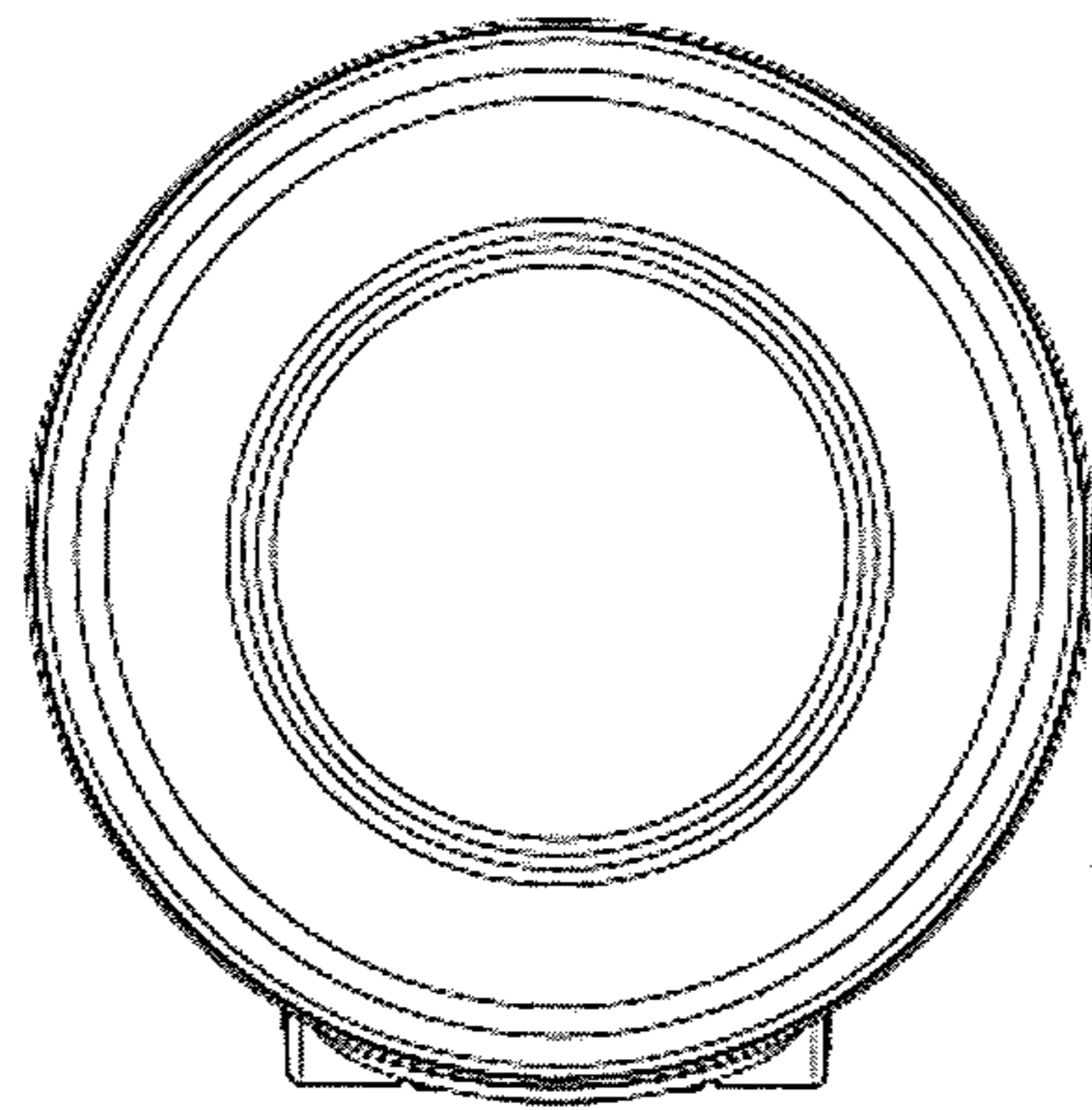


Figure 8