



US00D690557S

(12) **United States Design Patent**
Carreno et al.

(10) **Patent No.:** **US D690,557 S**
(45) **Date of Patent:** **** Oct. 1, 2013**

(54) **DRINK BOTTLE AND LID INCLUDING
TAPERED BOTTLE AND LOCKABLE PUSH
BUTTON LID**

- (75) Inventors: **Alfredo Carreno**, Yardley, PA (US);
Marvin Lane, Round Lake Beach, IL
(US)
- (73) Assignee: **Thermos L.L.C.**, Schaumburg, IL (US)
- (**) Term: **14 Years**
- (21) Appl. No.: **29/422,439**
- (22) Filed: **May 21, 2012**
- (51) **LOC (9) Cl.** **07-01**
- (52) **U.S. Cl.**
USPC **D7/510; D7/511; D7/608**
- (58) **Field of Classification Search**
USPC **D7/300.1, 510, 511, 509, 523, 608;**
D9/523, 445; 220/715, 568, 212.5; 222/570,
222/547
See application file for complete search history.

(56) **References Cited**

U.S. PATENT DOCUMENTS

5,310,081	A *	5/1994	McCabe	220/715
D455,611	S *	4/2002	Kitamura et al.	D7/608
D456,218	S *	4/2002	Hatsumoto	D7/608
D474,376	S *	5/2003	Kitamura et al.	D7/608
7,073,678	B1 *	7/2006	Dibdin et al.	220/254.1
D538,110	S *	3/2007	Kitamura et al.	D7/608
D555,000	S *	11/2007	Bunce et al.	D9/529
D587,969	S *	3/2009	Gilbert	D7/510
D588,411	S *	3/2009	Watanabe	D7/510
D592,012	S *	5/2009	Carreno	D7/510
D596,460	S *	7/2009	Nezu	D7/510
D608,640	S *	1/2010	Carreno	D9/449
D614,961	S *	5/2010	Thomas et al.	D9/529
D615,412	S *	5/2010	Thomas et al.	D9/529
D623,473	S *	9/2010	Chen	D7/510

(Continued)

OTHER PUBLICATIONS

Contigo—Autospout Addison Water Bottle—24 oz., printed Jun. 20, 2012.

(Continued)

Primary Examiner — Marianne Pandozzi

(74) *Attorney, Agent, or Firm* — Schiff Hardin LLP

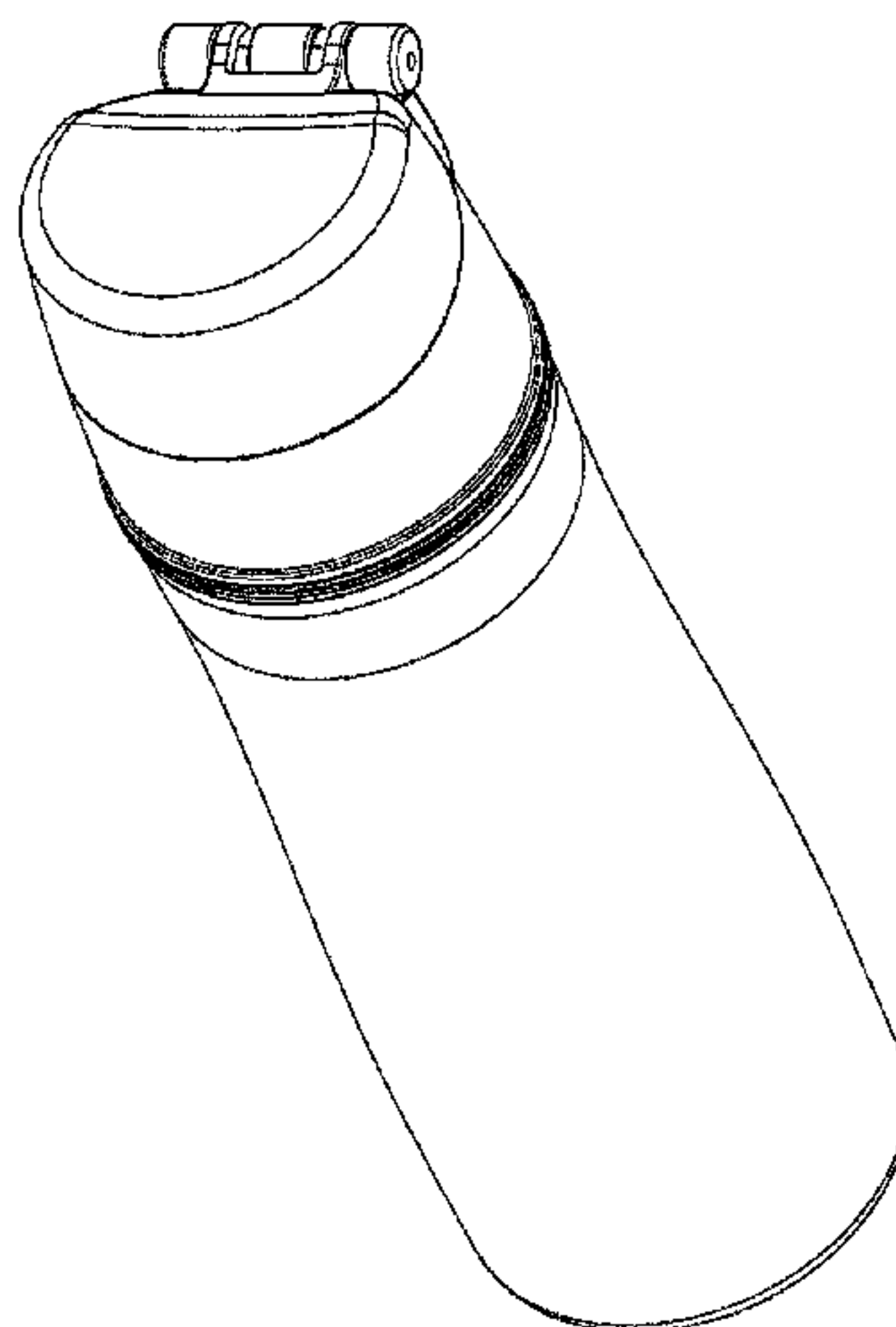
(57) **CLAIM**

The ornamental design of the drink bottle and lid including tapered bottle and lockable push button lid, as shown and described.

DESCRIPTION

FIG. 1 is a perspective view taken from the upper, front, right-hand side of the drink bottle and lid including tapered bottle and lockable push button lid of the present invention; FIG. 2 is a perspective view taken from the lower, rear, left-hand side of the drink bottle and lid including tapered bottle and lockable push button lid of FIG. 1; FIG. 3 is a side elevational view of the left side of the drink bottle and lid including tapered bottle and lockable push button lid of FIG. 1; FIG. 4 is a front elevational view of the drink bottle and lid including tapered bottle and lockable push button lid of FIG. 1; FIG. 5 is a side elevational view of the right side of the drink bottle and lid including tapered bottle and lockable push button lid of FIG. 1; FIG. 6 is a rear elevational view of the drink bottle and lid including tapered bottle and lockable push button lid of FIG. 1; FIG. 7 is an enlarged top plan view of the drink bottle and lid including tapered bottle and lockable push button lid of FIG. 1; and, FIG. 8 is an enlarged bottom plan view of the drink bottle and lid including tapered bottle and lockable push button lid of FIG. 1.

1 Claim, 8 Drawing Sheets



US D690,557 S

Page 2

(56)

References Cited

U.S. PATENT DOCUMENTS

D655,580 S * 3/2012 Kotani D7/608
D655,581 S * 3/2012 Kotani D7/608
D656,360 S * 3/2012 Miller et al. D7/510
D656,787 S * 4/2012 Phillips et al. D7/510
D658,072 S * 4/2012 Davis et al. D9/689
D667,268 S * 9/2012 Pallotto D7/510
D667,269 S * 9/2012 Pallotto D7/510

D675,873 S * 2/2013 Miller et al. D7/510
D676,278 S * 2/2013 Wong D7/510
D676,708 S * 2/2013 Lane D7/510

OTHER PUBLICATIONS

Zojirushi product—Stainless Steel Vacuum Bottle Model No. ST-KA12, printed Jul. 26, 2011.
Co-pending U.S. Appl. No. 13/155,512, filed Jun. 8, 2011.

* cited by examiner

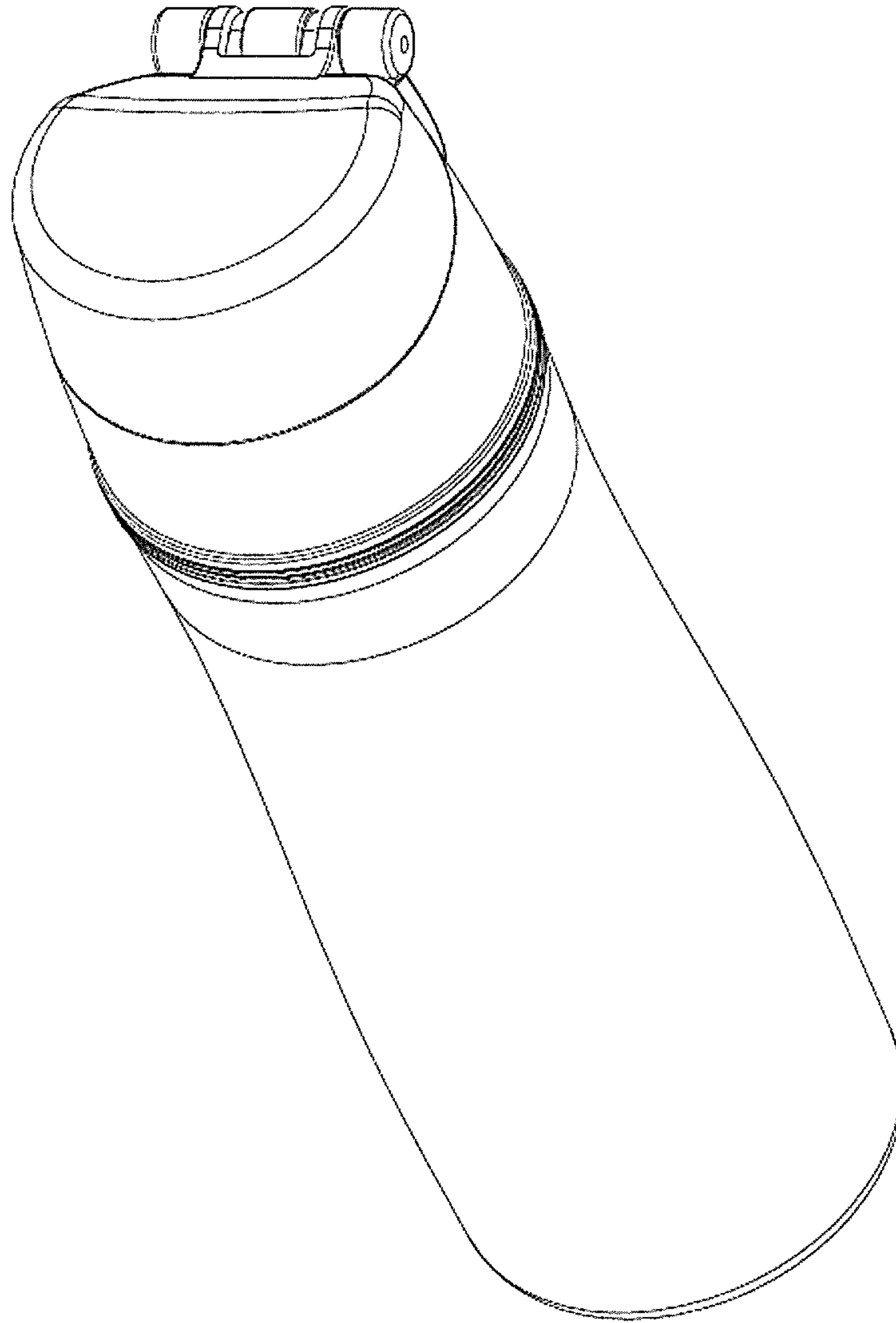


Figure 1

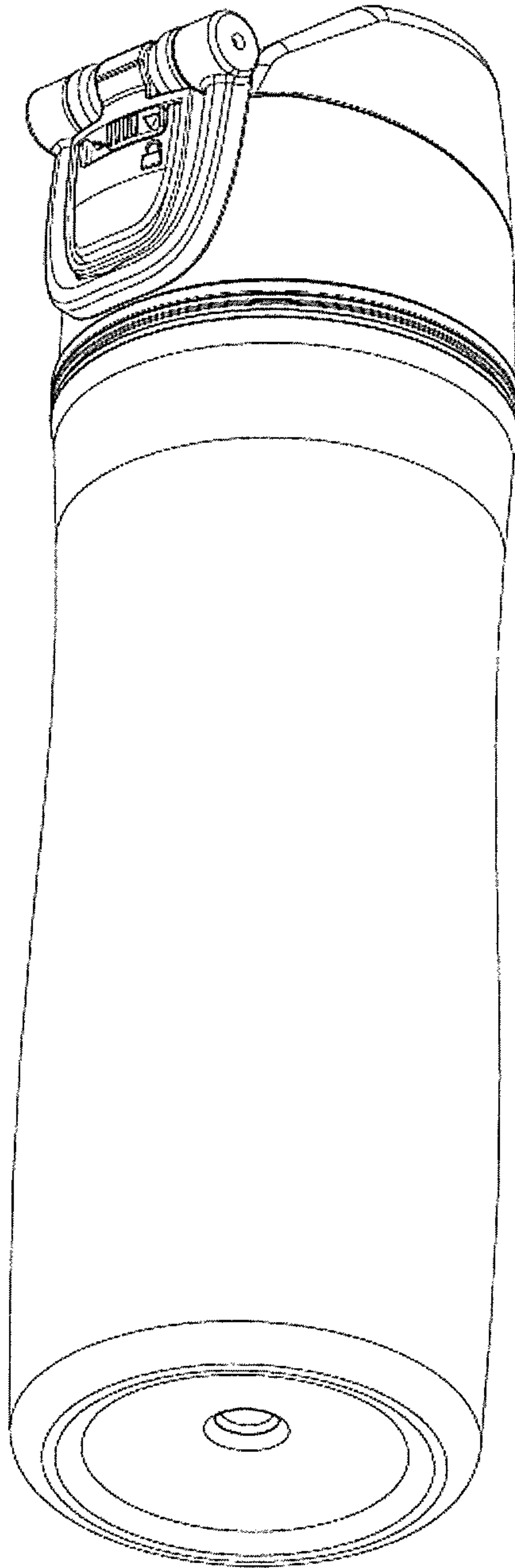


Figure 2

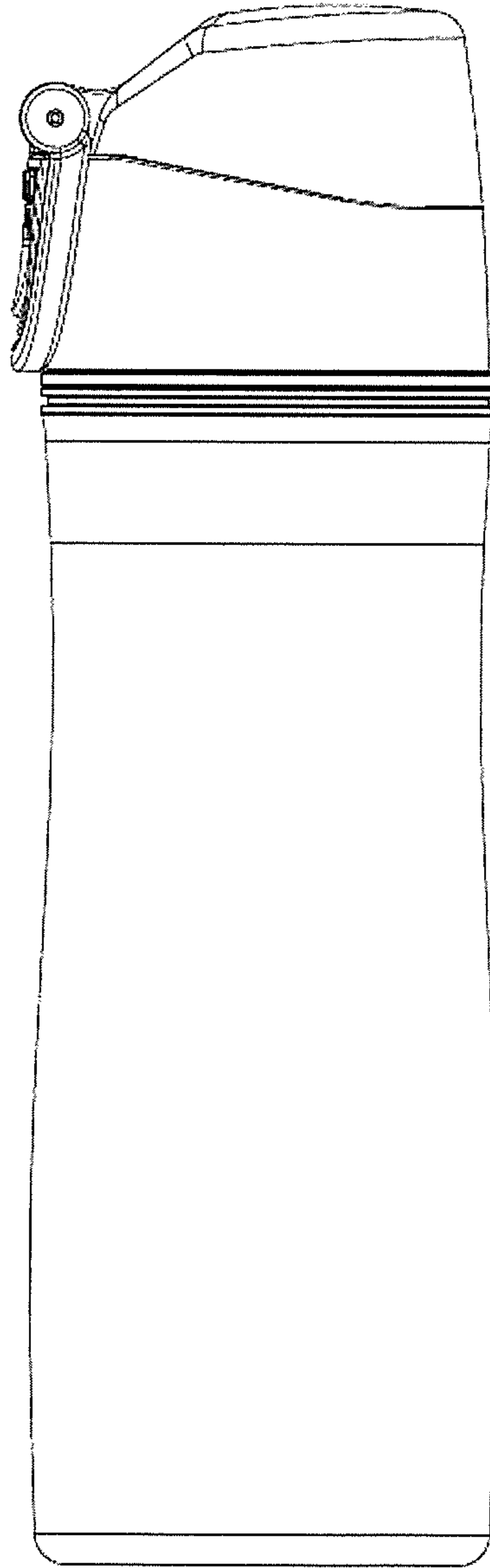


Figure 3

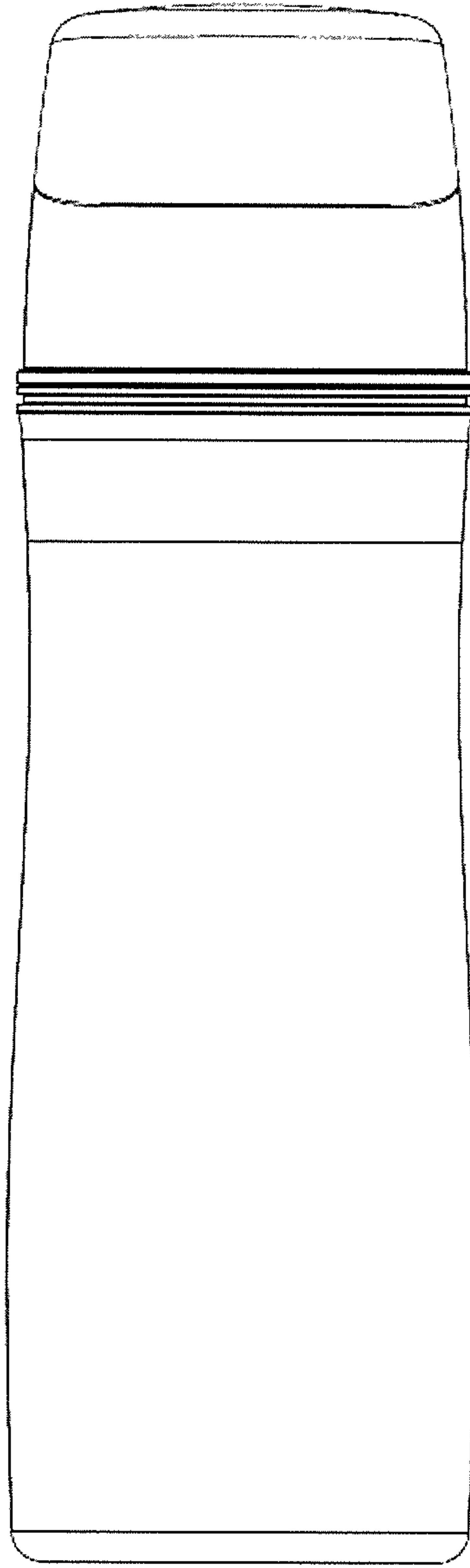


Figure 4

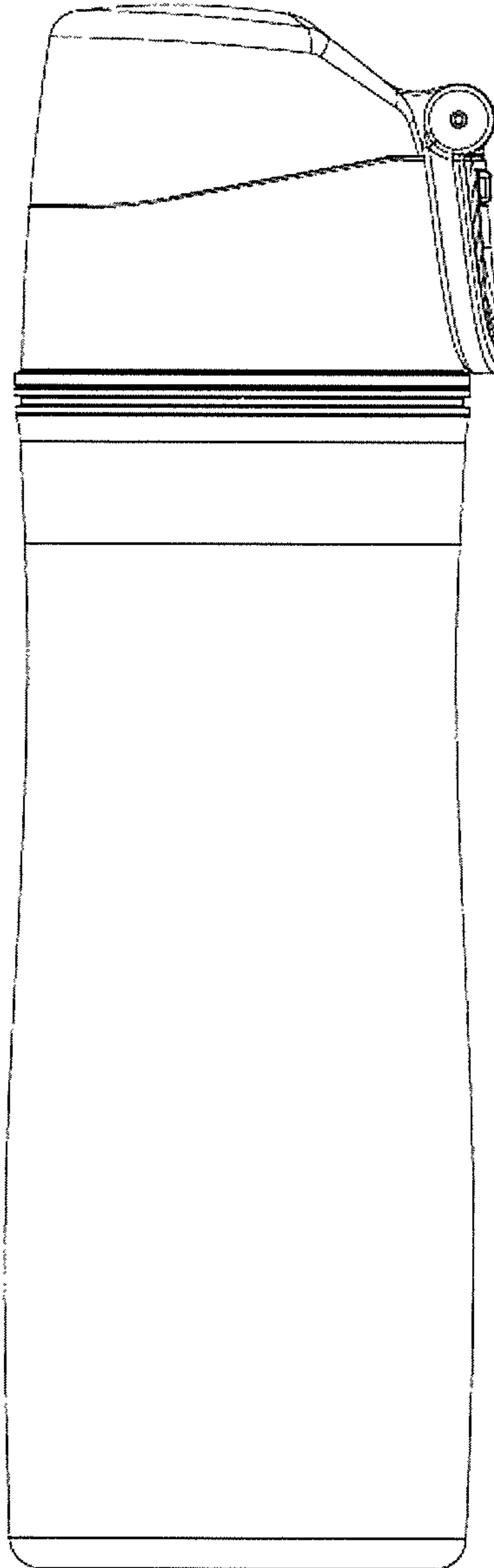


Figure 5

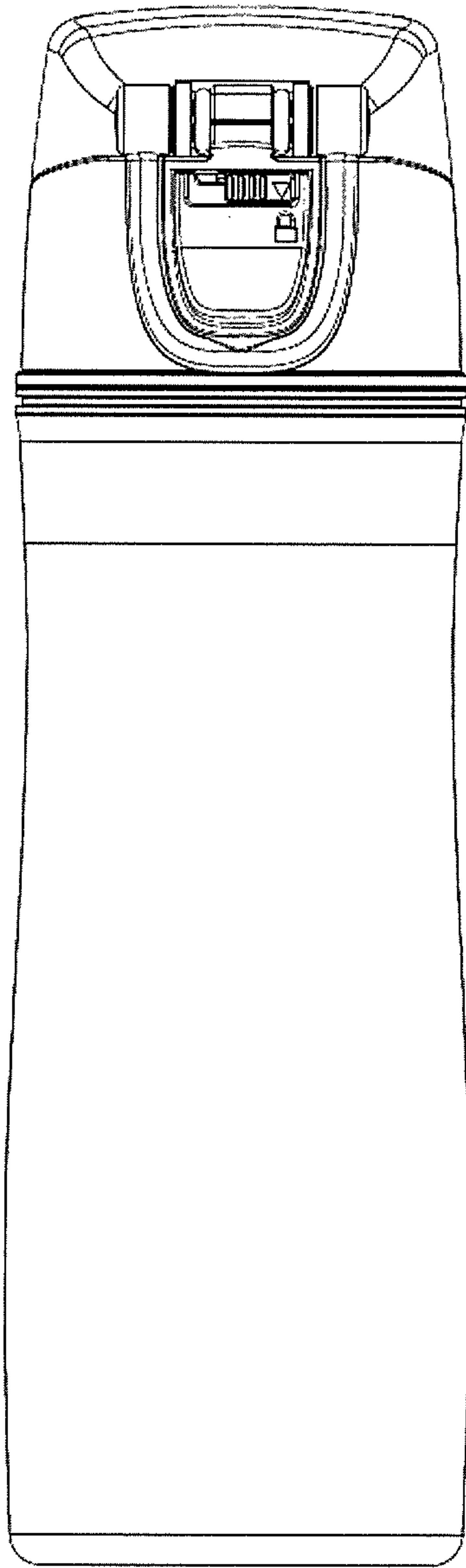


Figure 6

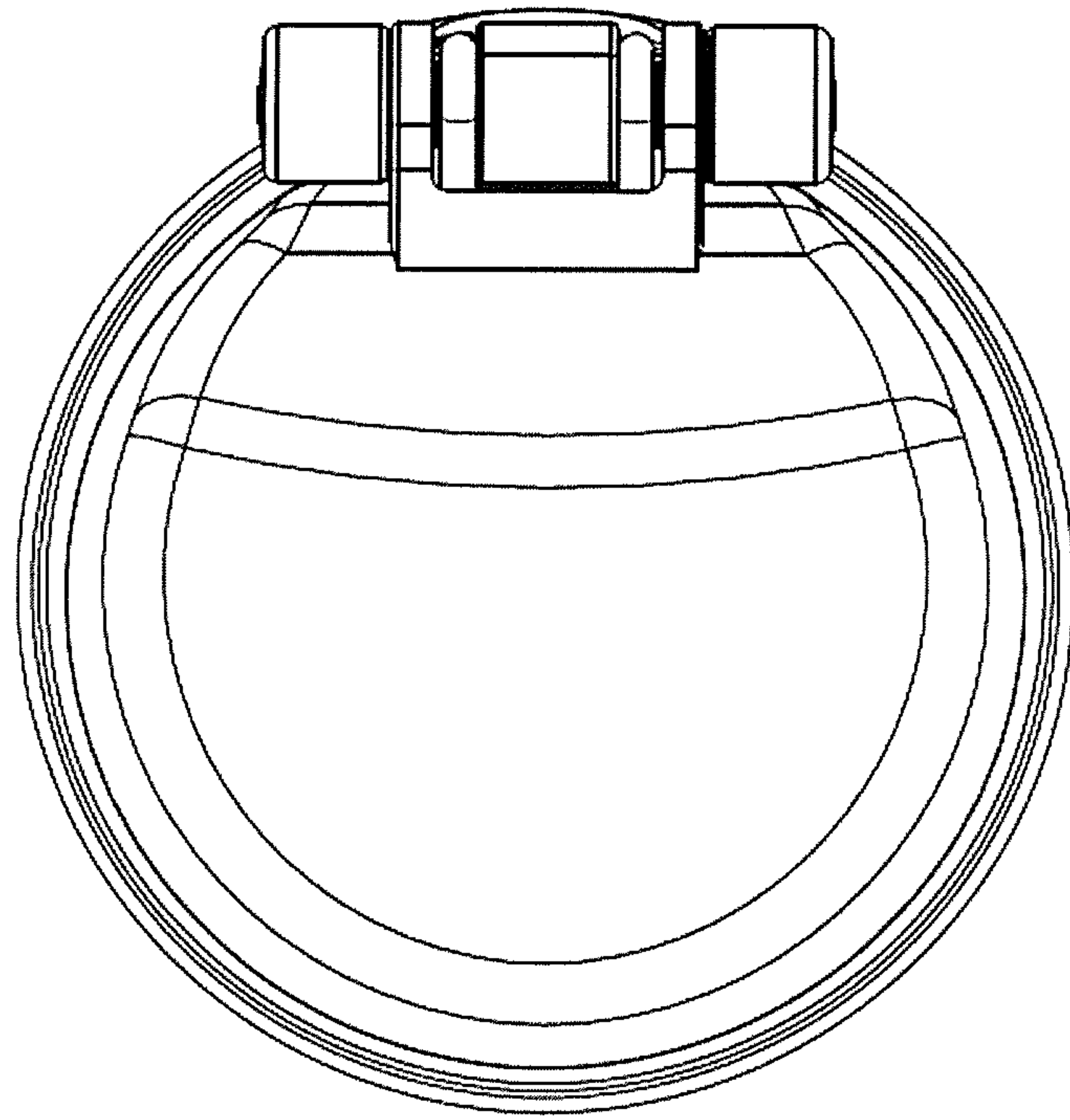


Figure 7

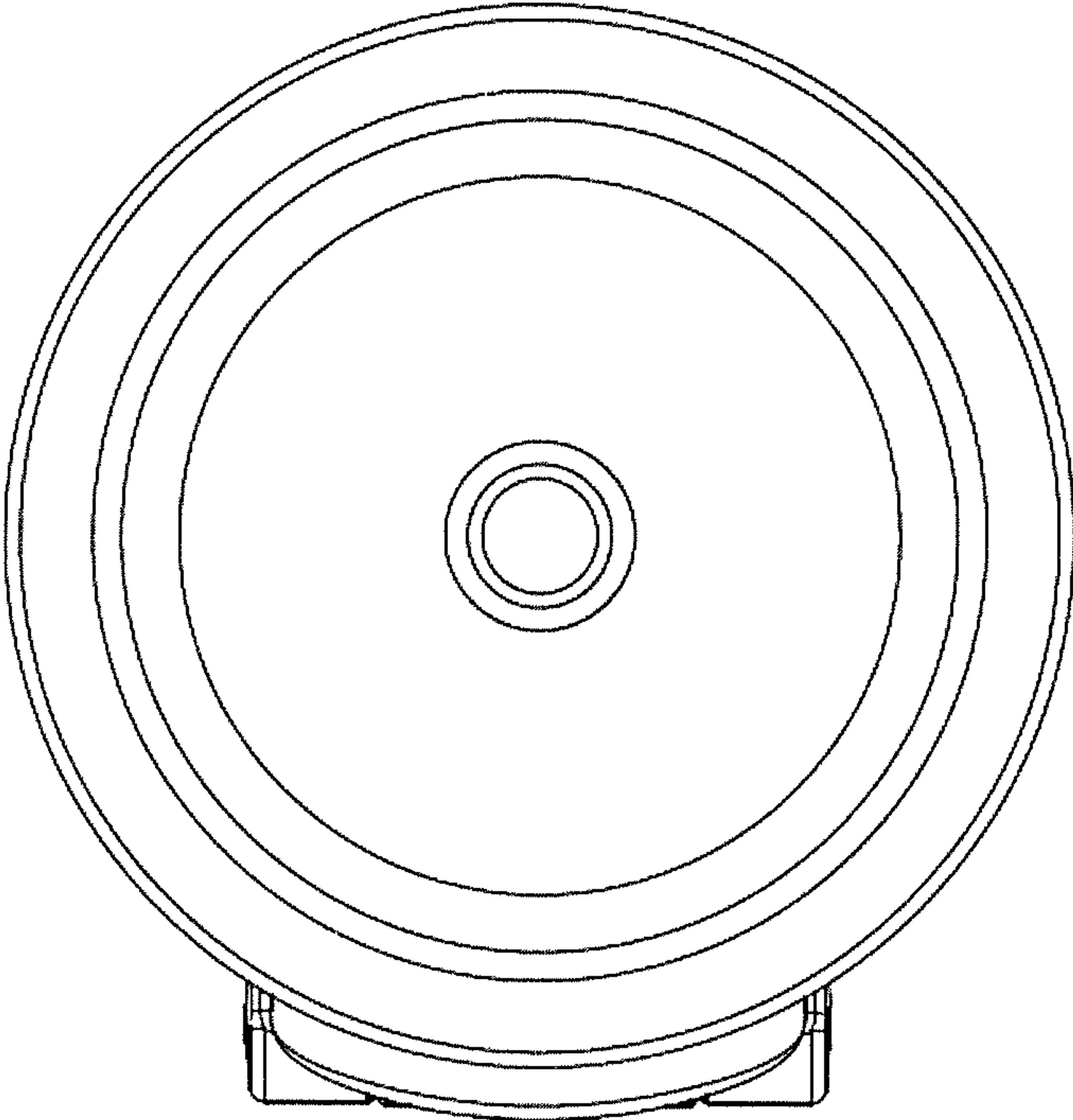


Figure 8