



US00D690556S

(12) **United States Design Patent**  
**Boroski**

(10) **Patent No.:** **US D690,556 S**

(45) **Date of Patent:** **\*\* Oct. 1, 2013**

(54) **DRINK BOTTLE AND LID WITH  
OCTAGONAL GRIPS ON BOTTLE AND  
EIGHT GRIP LOCATIONS ON LID**

(75) Inventor: **Dwayne Boroski**, Lake in the Hills, IL  
(US)

(73) Assignee: **Thermos L.L.C.**, Schaumburg, IL (US)

(\*\*) Term: **14 Years**

(21) Appl. No.: **29/422,418**

(22) Filed: **May 21, 2012**

(51) **LOC (9) Cl.** ..... **07-01**

(52) **U.S. Cl.**  
USPC ..... **D7/510; D7/511**

(58) **Field of Classification Search**  
USPC ..... D7/608, 510, 511, 509, 523, 533,  
D7/536; 215/12.1, 13.1, 396; 220/703, 715,  
220/592.16

See application file for complete search history.

(56) **References Cited**

**U.S. PATENT DOCUMENTS**

D373,706 S \* 9/1996 Gregg ..... D7/511  
D498,382 S \* 11/2004 Davis ..... D7/300.1  
D572,531 S \* 7/2008 Romandy et al. .... D7/510  
D597,376 S \* 8/2009 Reay ..... D7/511

D609,521 S \* 2/2010 Holsinger ..... D7/313  
D621,220 S \* 8/2010 Lown et al. .... D7/510  
D658,450 S \* 5/2012 Ying ..... D7/608  
D658,944 S \* 5/2012 Gilbert et al. .... D7/511  
D660,648 S \* 5/2012 Gilbert ..... D7/510  
D674,661 S \* 1/2013 Shevin-Sandy ..... D7/507  
D682,041 S \* 5/2013 Moran, Sr. .... D7/608

\* cited by examiner

*Primary Examiner* — Marianne Pandozzi

(74) *Attorney, Agent, or Firm* — Schiff Hardin LLP

(57) **CLAIM**

The ornamental design of the drink bottle and lid with octagonal grips on bottle and eight grip locations on lid, as shown and described.

**DESCRIPTION**

FIG. 1 is a top front right perspective view of a drink bottle and lid with octagonal grips on bottle and eight grip locations on lid showing my new design;

FIG. 2 is a bottom rear left perspective view thereof;

FIG. 3 is a right side elevational view thereof;

FIG. 4 is a front elevational view thereof;

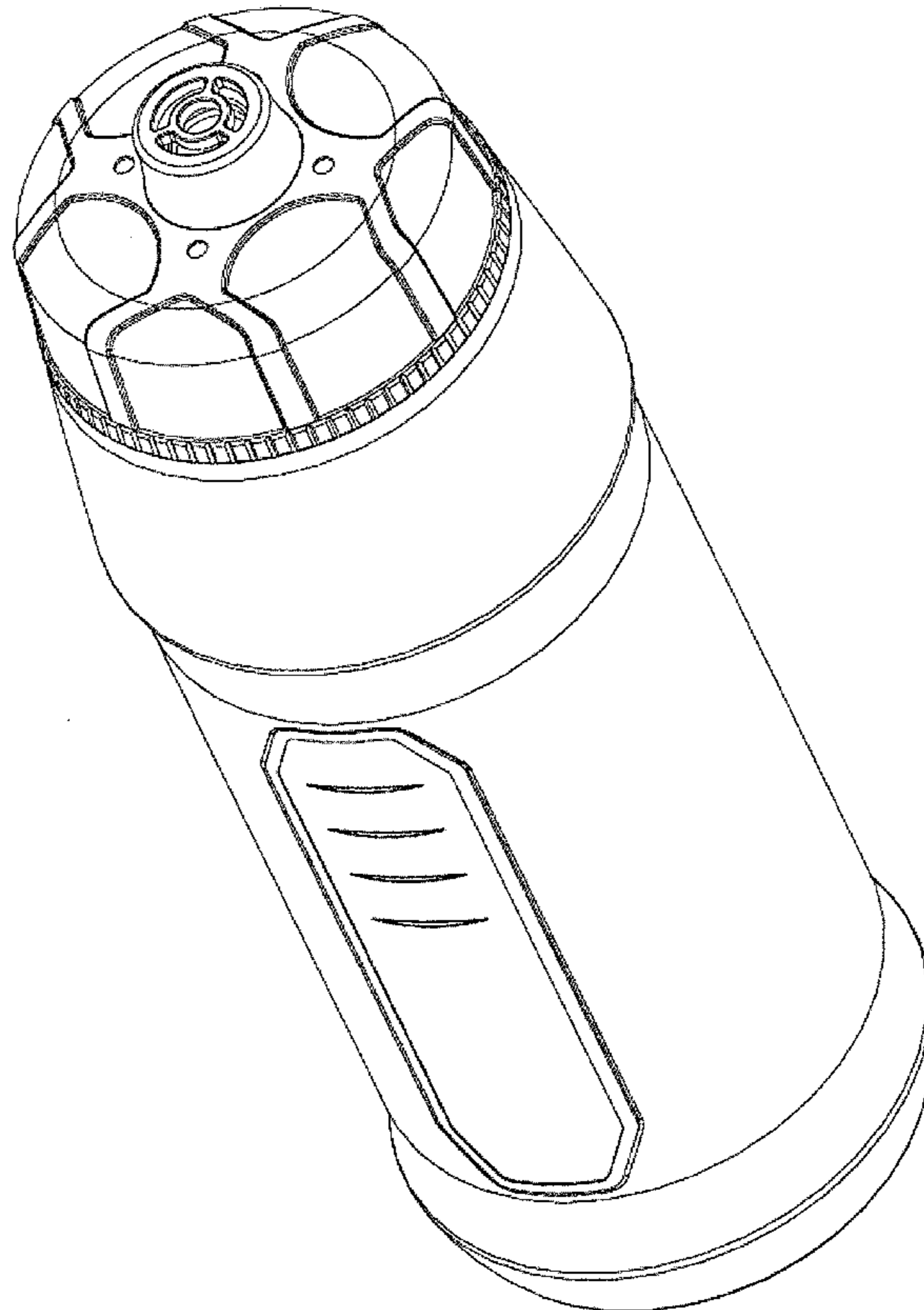
FIG. 5 is a left side elevational view thereof;

FIG. 6 is a rear elevational view thereof;

FIG. 7 is a top plan view thereof; and,

FIG. 8 is a bottom plan view thereof.

**1 Claim, 8 Drawing Sheets**



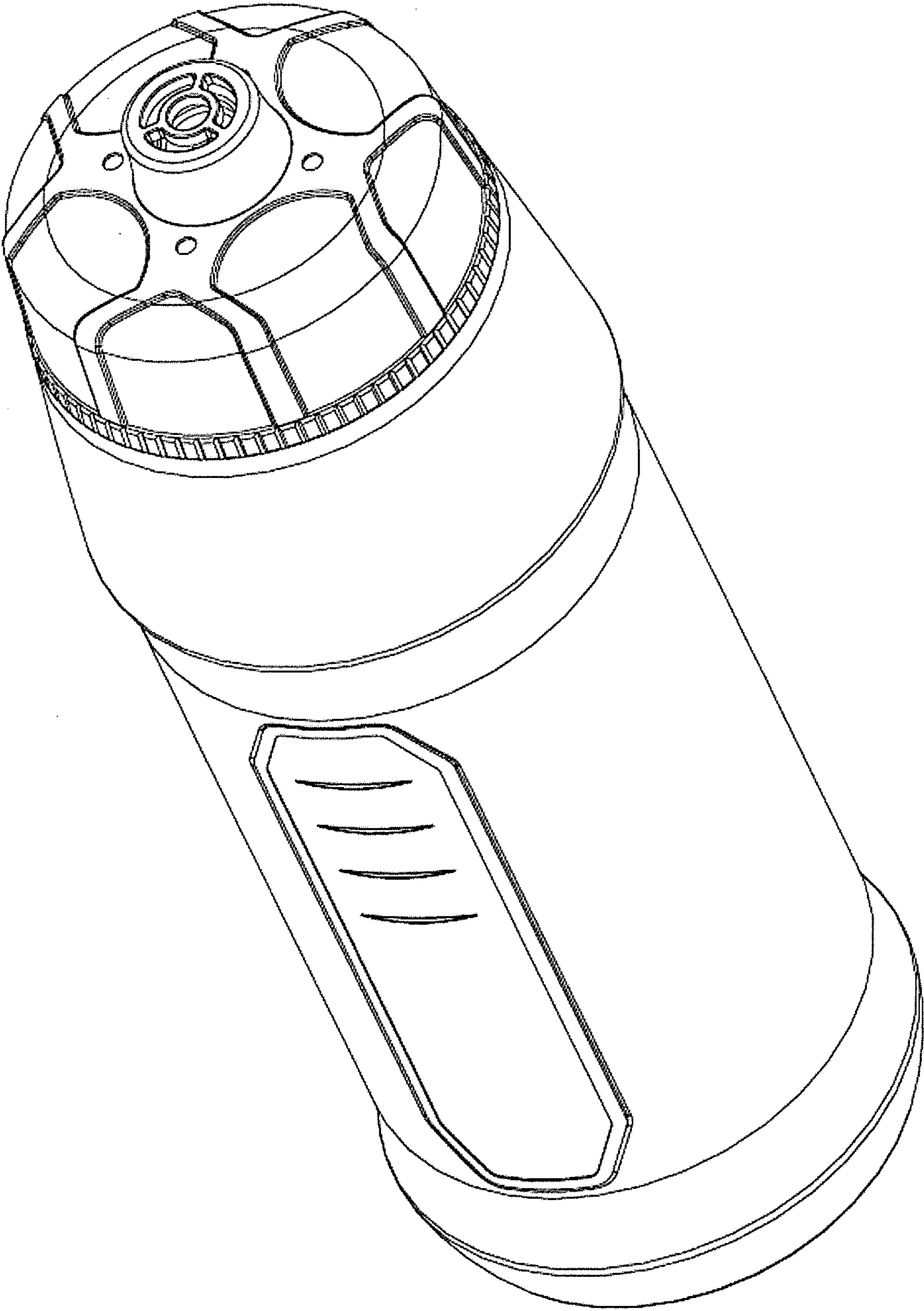


Figure 1

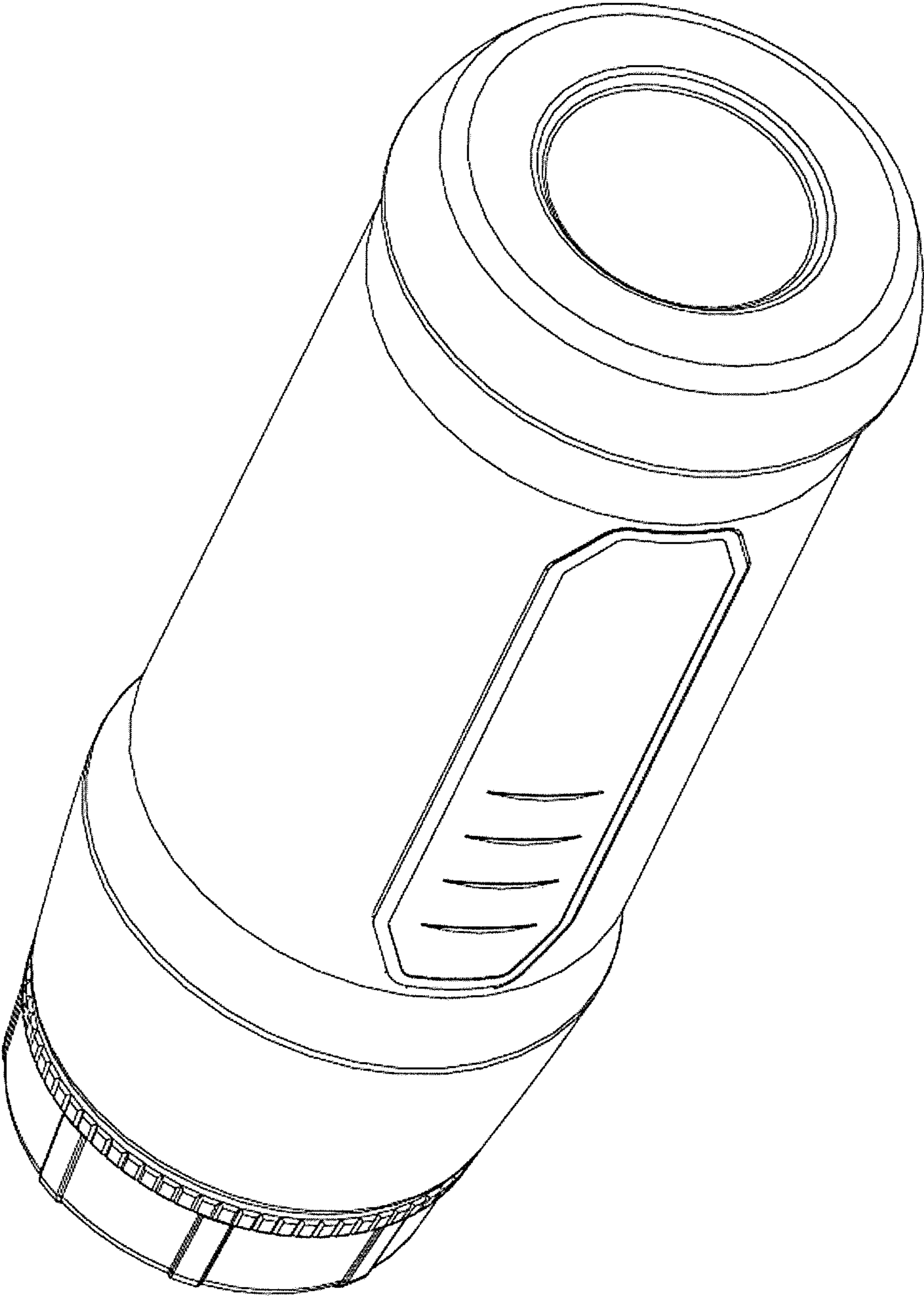


Figure 2

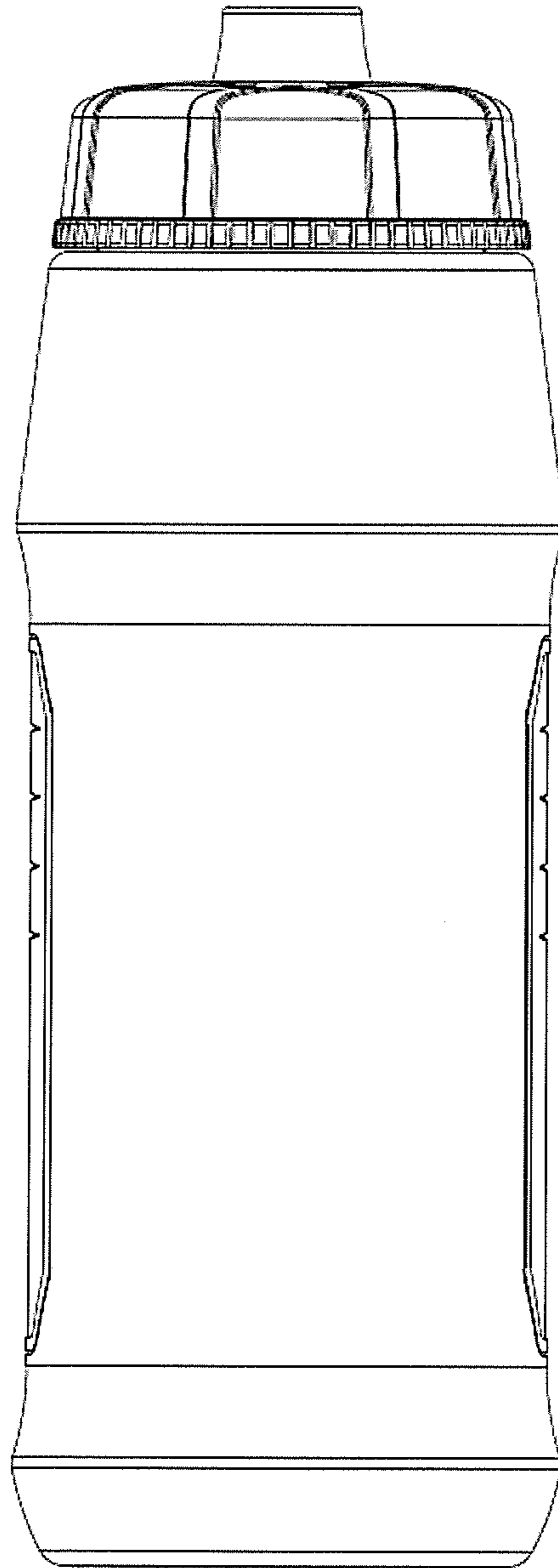


Figure 3

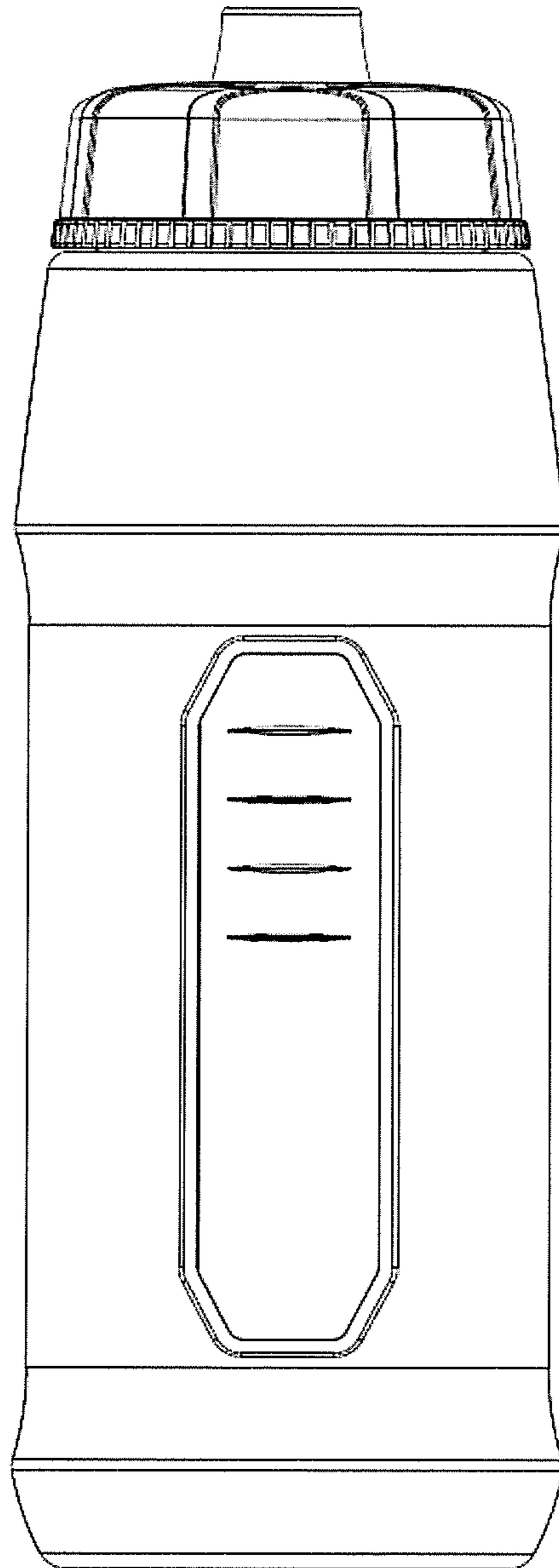


Figure 4



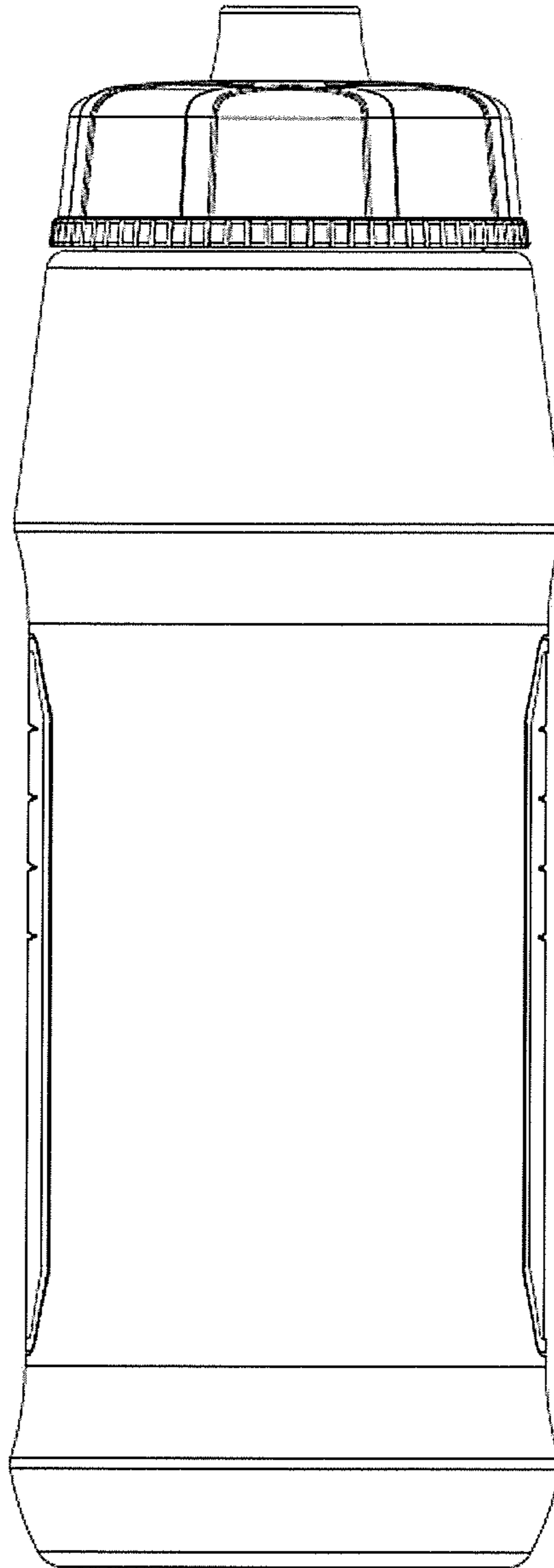


Figure 5

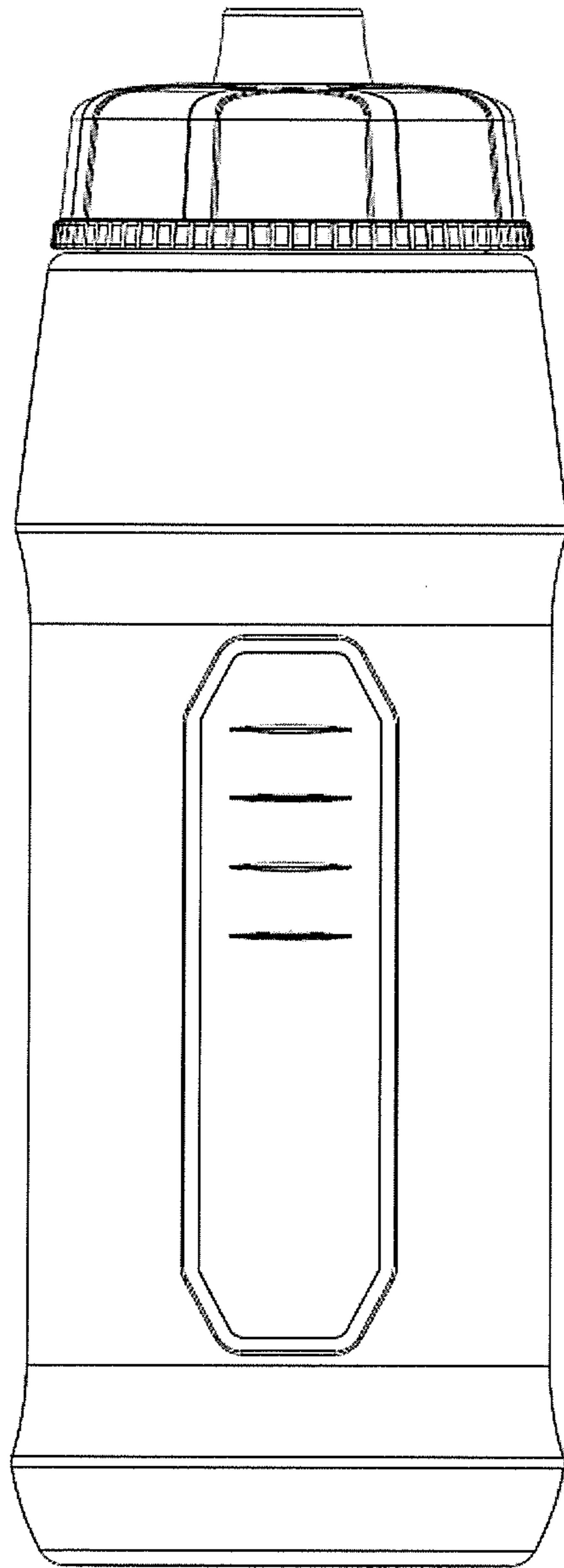


Figure 6

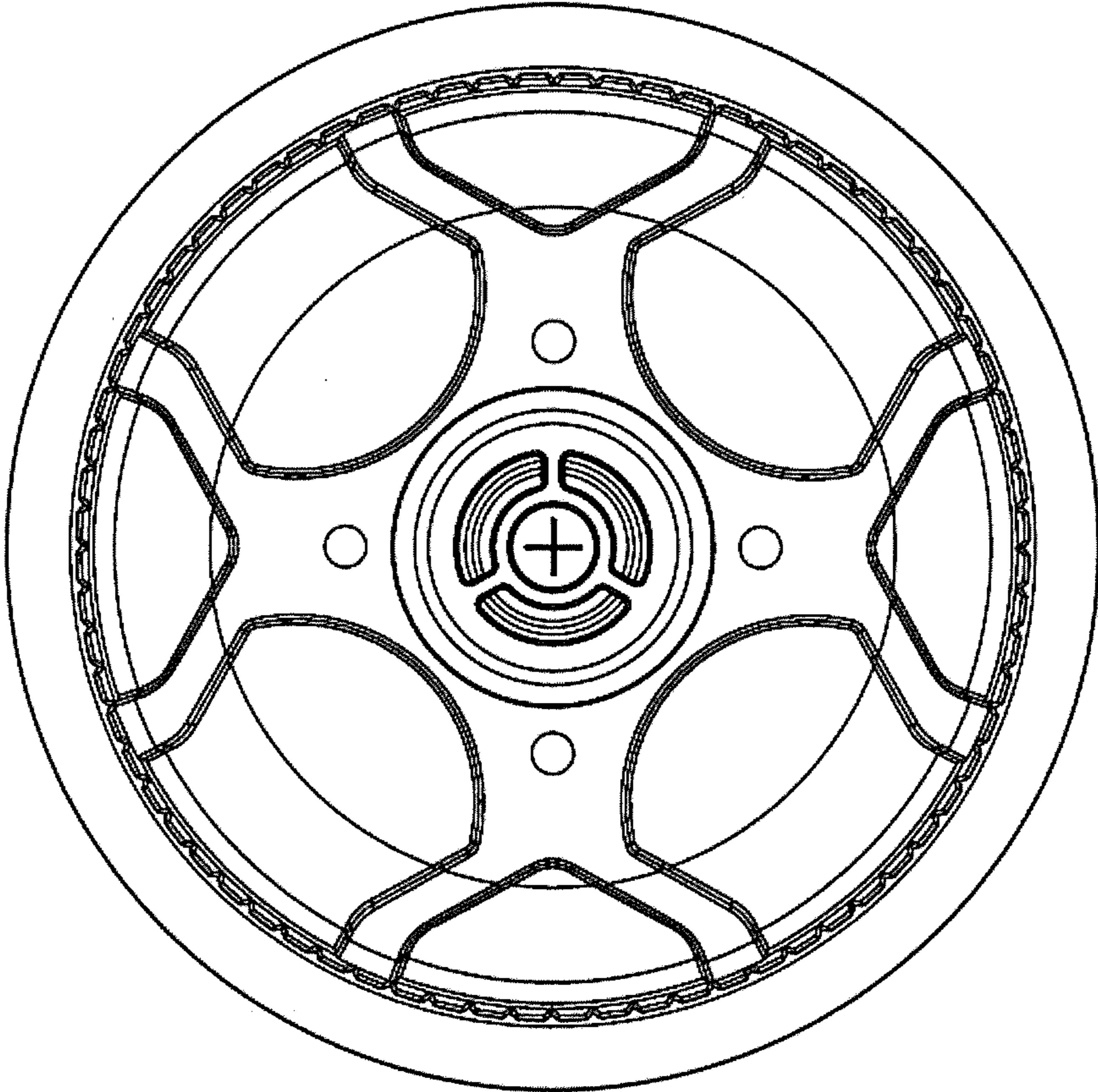


Figure 7



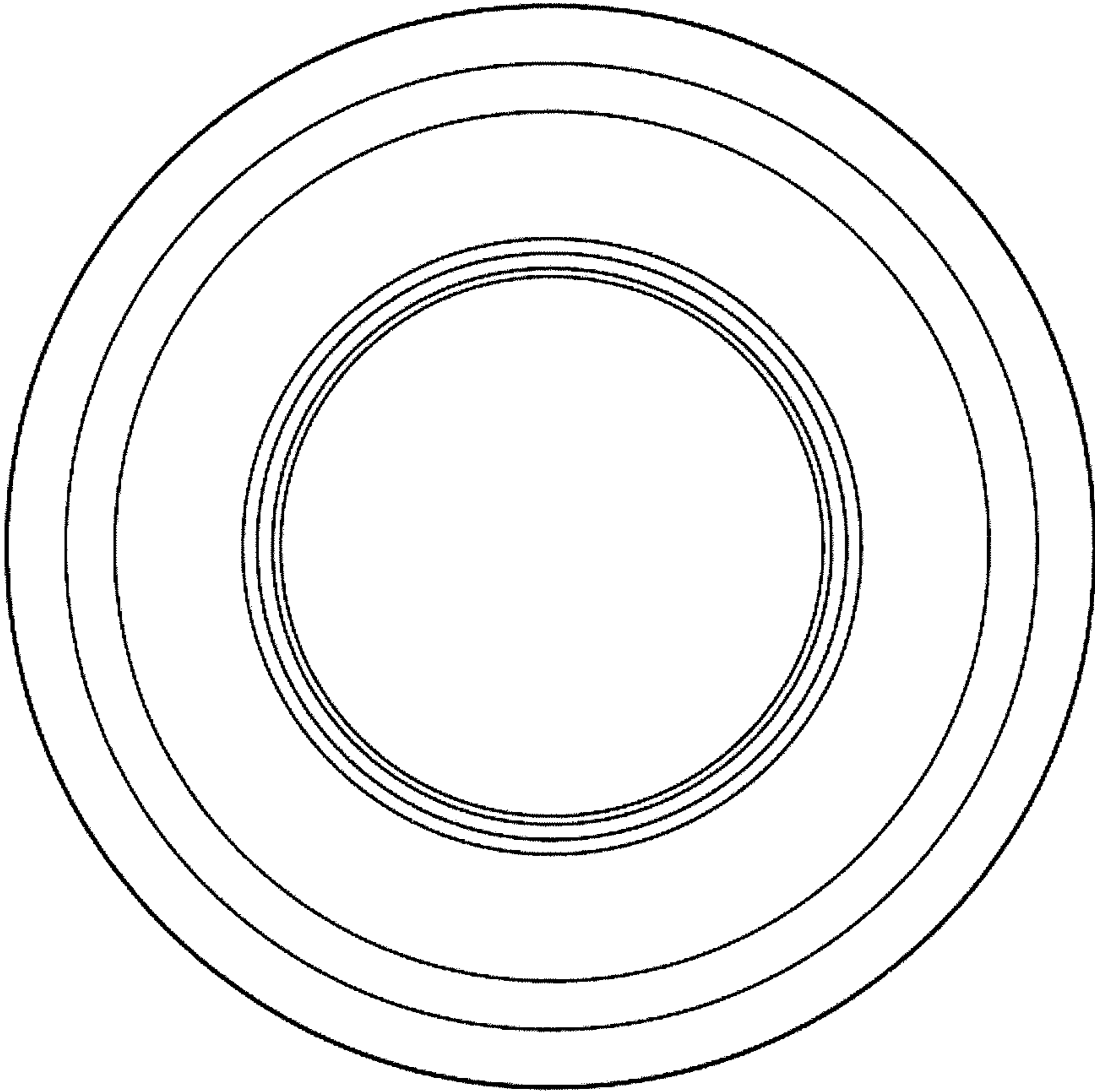


Figure 8