



US00D690555S

(12) **United States Design Patent**
Feltner

(10) **Patent No.:** **US D690,555 S**

(45) **Date of Patent:** **** Oct. 1, 2013**

(54) **GRILL TRAY**

(71) Applicant: **Travis Feltner**, Fayetteville, AR (US)

(72) Inventor: **Travis Feltner**, Fayetteville, AR (US)

(73) Assignee: **Feltner Brothers Holding Co., LLC**,
Fayetteville, AR (US)

(**) Term: **14 Years**

(21) Appl. No.: **29/446,956**

(22) Filed: **Feb. 28, 2013**

(51) **LOC (9) Cl.** **07-02**

(52) **U.S. Cl.**
USPC **D7/406**

(58) **Field of Classification Search**
USPC D7/332, 334, 335, 336, 402-408,
D7/409; 126/25 R, 25 A, 25 AA, 9 R, 37 R,
126/41 R, 40, 50, 304 R, 305, 268, 276;
312/249.8, 249.13; 99/324, 331, 339-340,
99/402, 421 A, 421 H, 421 HH, 421
R, 422-427, 449-450
See application file for complete search history.

(56) **References Cited**

U.S. PATENT DOCUMENTS

D362,370 S *	9/1995	Wiese	D7/402
D377,734 S *	2/1997	Bird et al.	D7/402
D377,735 S *	2/1997	Craven	D7/406
D413,043 S *	8/1999	Wagner et al.	D7/406
D413,229 S *	8/1999	Hopkins et al.	D7/406
D416,441 S *	11/1999	Wagner et al.	D7/406
D441,604 S *	5/2001	Valdez	D7/406
D448,614 S *	10/2001	Wagner	D7/402
D449,491 S *	10/2001	Measom	D7/334
D450,524 S *	11/2001	Measom	D7/332

D480,914 S *	10/2003	Wagner et al.	D7/406
D537,295 S *	2/2007	Debord et al.	D7/406
D567,022 S *	4/2008	Spangrud	D7/409
D580,221 S *	11/2008	McKenzie	D7/402
D613,117 S *	4/2010	Richburg	D7/409
D619,846 S *	7/2010	Dunne et al.	D7/334

* cited by examiner

Primary Examiner — T. Chase Nelson

Assistant Examiner — Mark Cavanna

(74) *Attorney, Agent, or Firm* — Keisling & Pieper PLC;
David B. Pieper

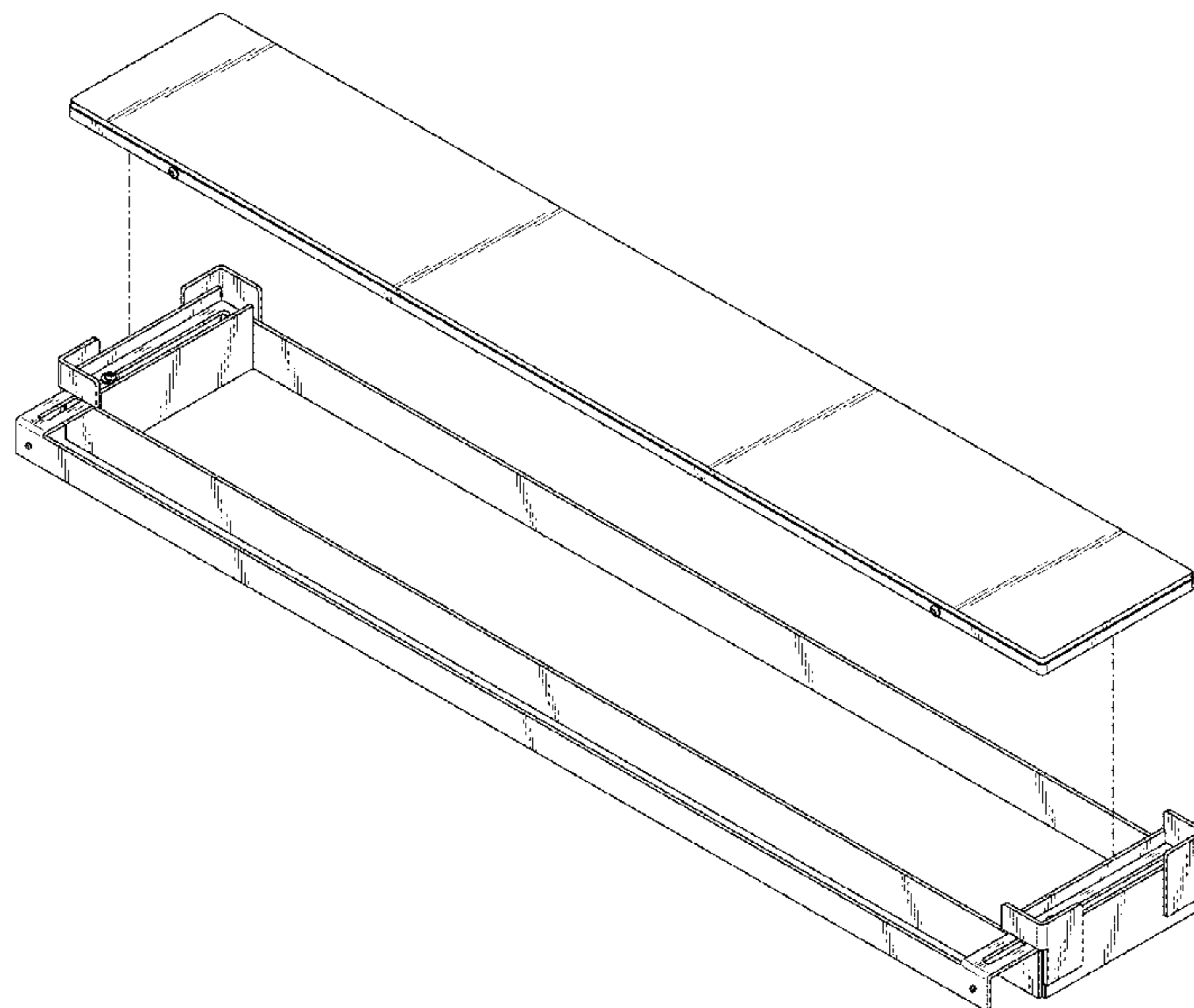
(57) **CLAIM**

The ornamental design for a grill tray, as shown and described.

DESCRIPTION

FIG. 1 is a right front isometric view of a grill tray showing my new design;
 FIG. 2 is a right front isometric view showing the clamp arm in an extended position;
 FIG. 3 is a top view thereof;
 FIG. 4 is a bottom view thereof;
 FIG. 5 is a front view thereof;
 FIG. 6 is a back view thereof;
 FIG. 7 is an elevational view taken from the left side with the right side being a mirror image thereof;
 FIG. 8 is a left rear isometric with cover shown in a lifted position; and,
 FIG. 9 is a left rear isometric environmental view with the cover shown in a lifted position and a cook top and pans shown in broken lines.
 The broken lines in the drawings are for purposes of illustrating portions of the grill tray, as well as environmental structure, which form no part of the claimed design.

1 Claim, 6 Drawing Sheets



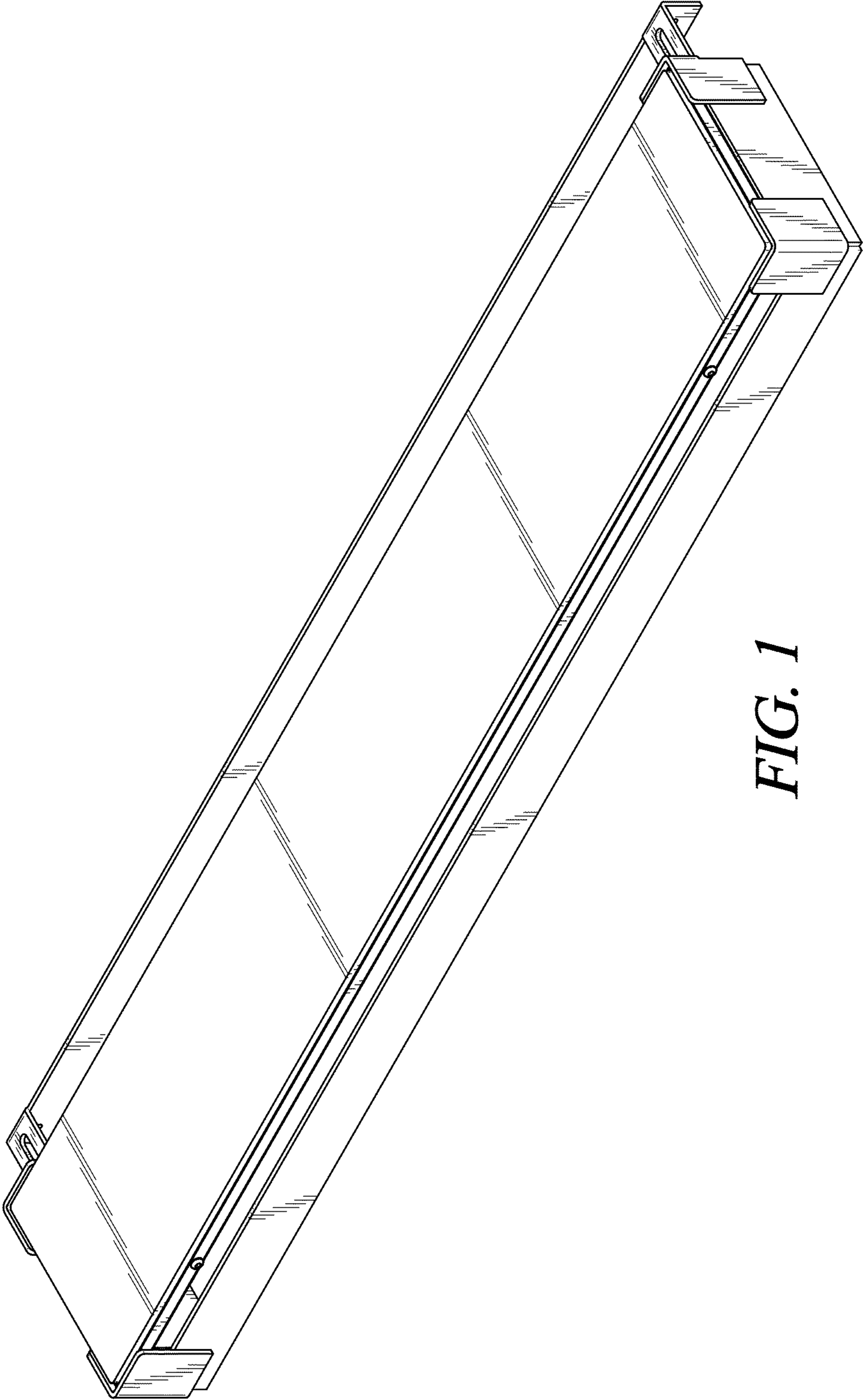


FIG. 1

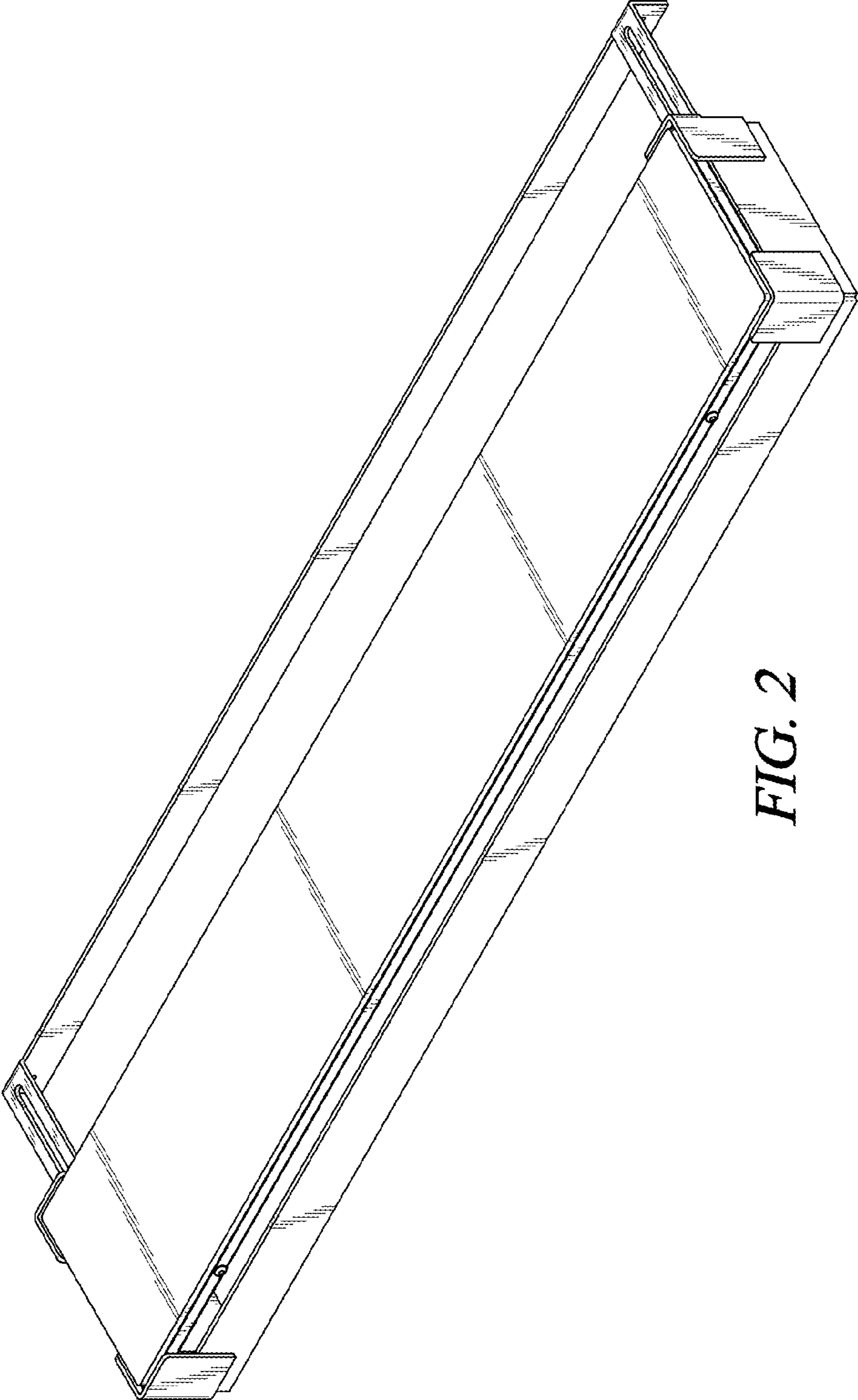


FIG. 2

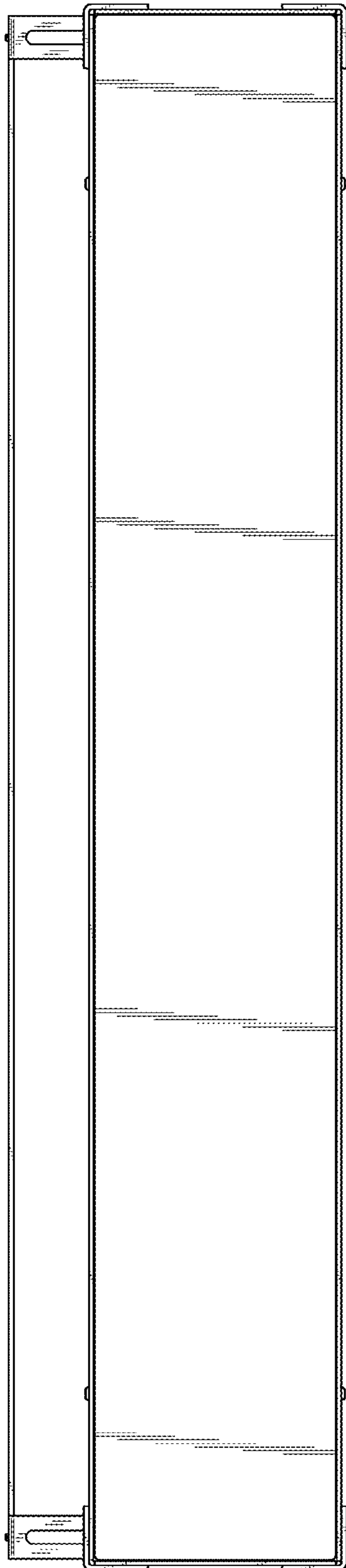


FIG. 3

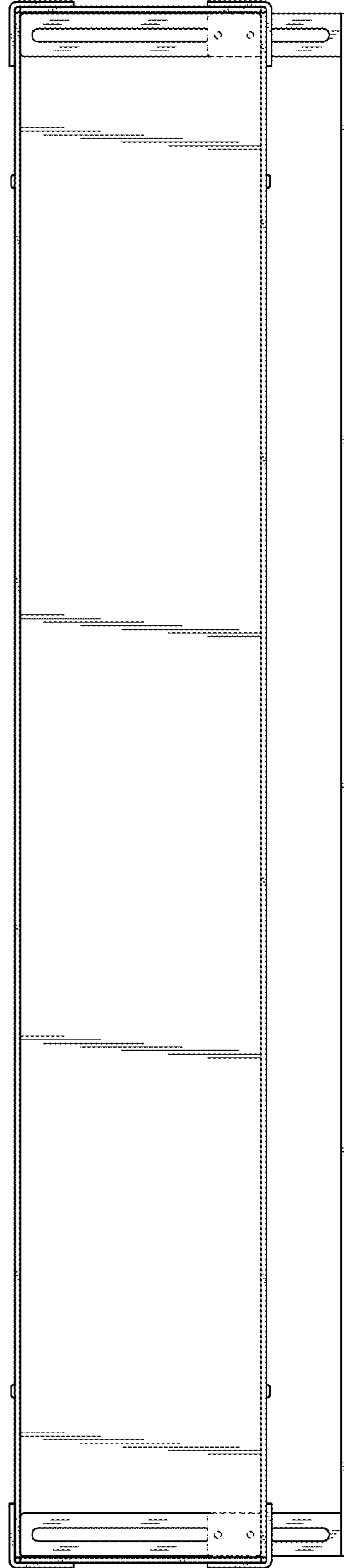


FIG. 4

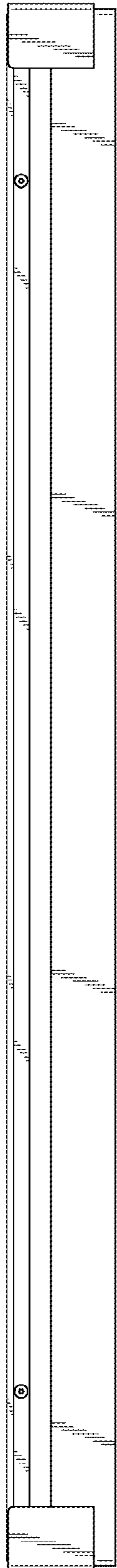


FIG. 5

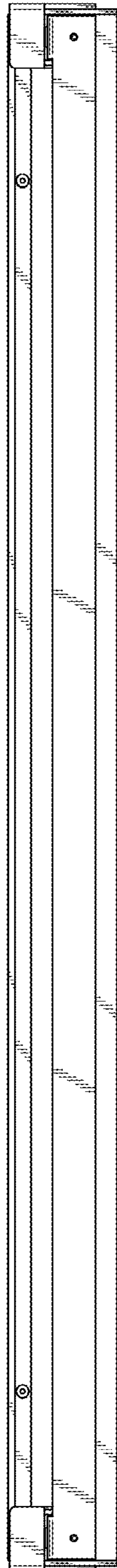


FIG. 6

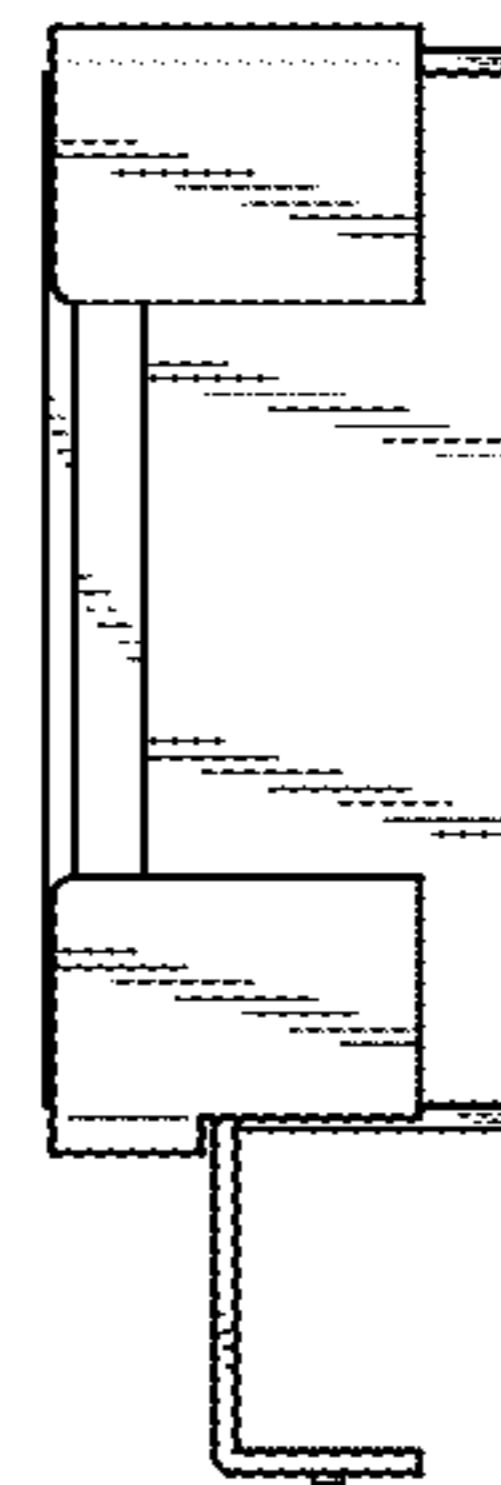


FIG. 7

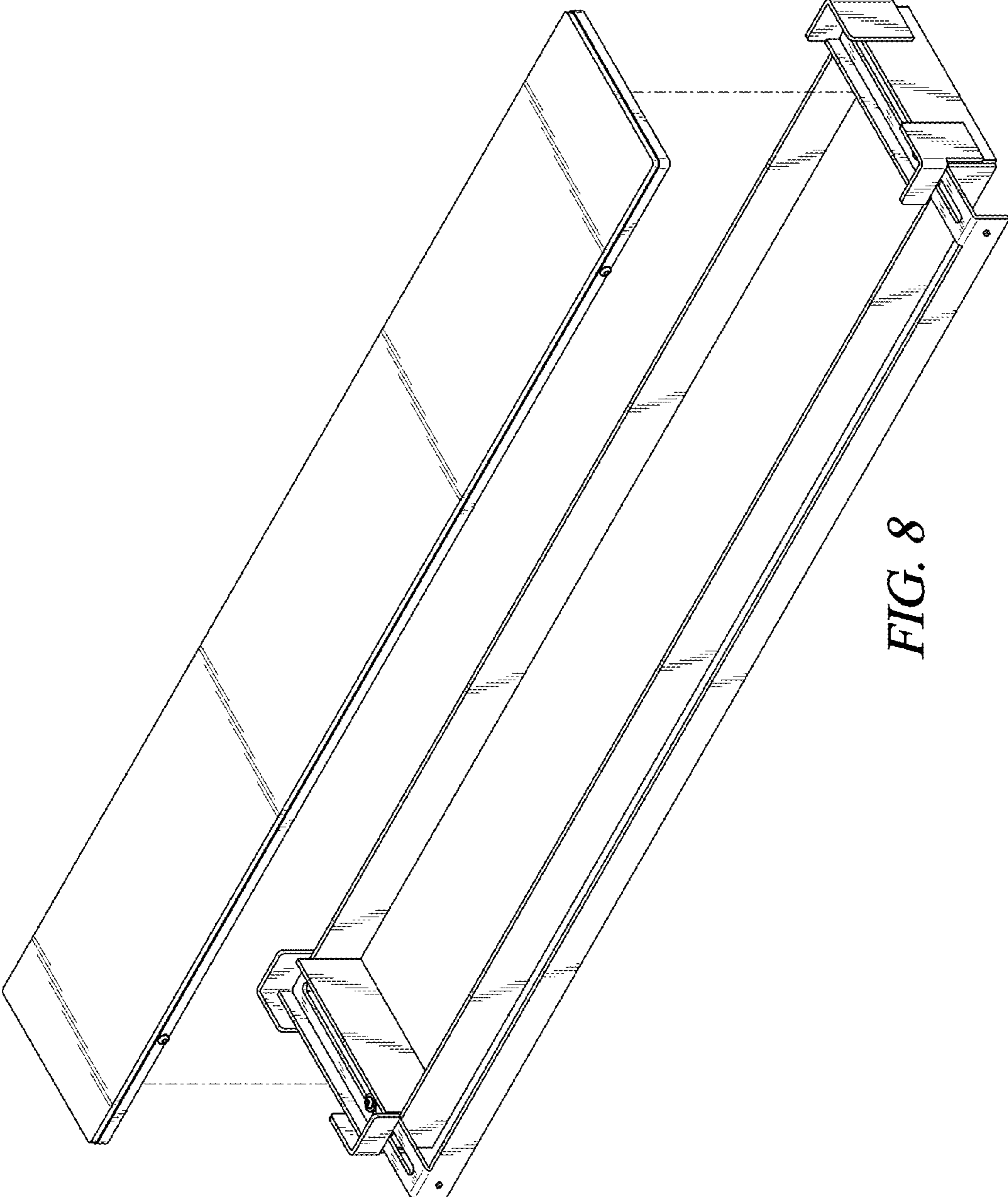


FIG. 8

