



US00D690552S

(12) **United States Design Patent**  
**Hundley**

(10) **Patent No.:** **US D690,552 S**

(45) **Date of Patent:** **\*\* Oct. 1, 2013**

(54) **FOOD PAN**

(71) Applicant: **The Vollrath Company, L.L.C.**,  
Sheboygan, WI (US)

(72) Inventor: **Jill E. Hundley**, Sheboygan, WI (US)

(73) Assignee: **The Vollrath Company, L.L.C.**,  
Sheboygan, WI (US)

(\*\*) Term: **14 Years**

(21) Appl. No.: **29/436,878**

(22) Filed: **Nov. 9, 2012**

(51) **LOC (9) Cl.** ..... **07-02**

(52) **U.S. Cl.**  
USPC ..... **D7/354**

(58) **Field of Classification Search**

USPC ..... D7/323, 329–331, 337, 339, 346–347,  
D7/350.1–350.4, 352–367, 388, 391, 393,  
D7/395, 402, 407–410, 500, 538–545, 552.1,  
D7/552.2, 555, 566, 584–587, 602, 672–674;  
D9/416, 424–425, 432–434; 99/324–325,  
99/331–332, 337–349, 358, 369–376, 380,  
99/389, 400–418, 422–426, 444–446, 483;  
126/9 B, 37 R, 261, 378.1; 206/501–505,  
206/507–508, 518;  
219/386, 400, 405, 429–442, 450.1, 452.13,  
219/460.1, 620–624, 725, 730–735; 220/4.24,  
220/23.8, 315, 573.1–573.5, 629, 675, 743,  
220/756, 769, 912; 426/438, 441, 549

See application file for complete search history.

(56) **References Cited**

**U.S. PATENT DOCUMENTS**

D378,039 S \* 2/1997 Ferris ..... D7/602  
D417,361 S 12/1999 Mittmann et al.

(Continued)

**OTHER PUBLICATIONS**

U.S. Appl. No. 29/429,473, filed Aug. 10, 2012, Tosdale et al.

*Primary Examiner* — Ricky Pham

(74) *Attorney, Agent, or Firm* — Foley & Lardner LLP

(57) **CLAIM**

I claim the ornamental design for a food pan, as shown and described.

**DESCRIPTION**

FIG. 1 is a top perspective view of the claimed design in a first environment;

FIG. 2 is a right side view of the claimed design of FIG. 1;

FIG. 3 is a left side view of the claimed design of FIG. 1;

FIG. 4 is a front view of the claimed design of FIG. 1;

FIG. 5 is a rear view of the claimed design of FIG. 1;

FIG. 6 is a top plan view of the claimed design of FIG. 1;

FIG. 7 is a bottom plan view of the claimed design of FIG. 1;

FIG. 8 is a top perspective view of the claimed design in a second environment;

FIG. 9 is a right side view of the claimed design of FIG. 8;

FIG. 10 is a left side view of the claimed design of FIG. 8;

FIG. 11 is a front view of the claimed design of FIG. 8;

FIG. 12 is a rear view of the claimed design of FIG. 8;

FIG. 13 is a top plan view of the claimed design of FIG. 8;

FIG. 14 is a bottom plan view of the claimed design of FIG. 8;

FIG. 15 is a top perspective view of the claimed design in a third environment;

FIG. 16 is a right side view of the claimed design of FIG. 15;

FIG. 17 is a left side view of the claimed design of FIG. 15;

FIG. 18 is a front view of the claimed design of FIG. 15;

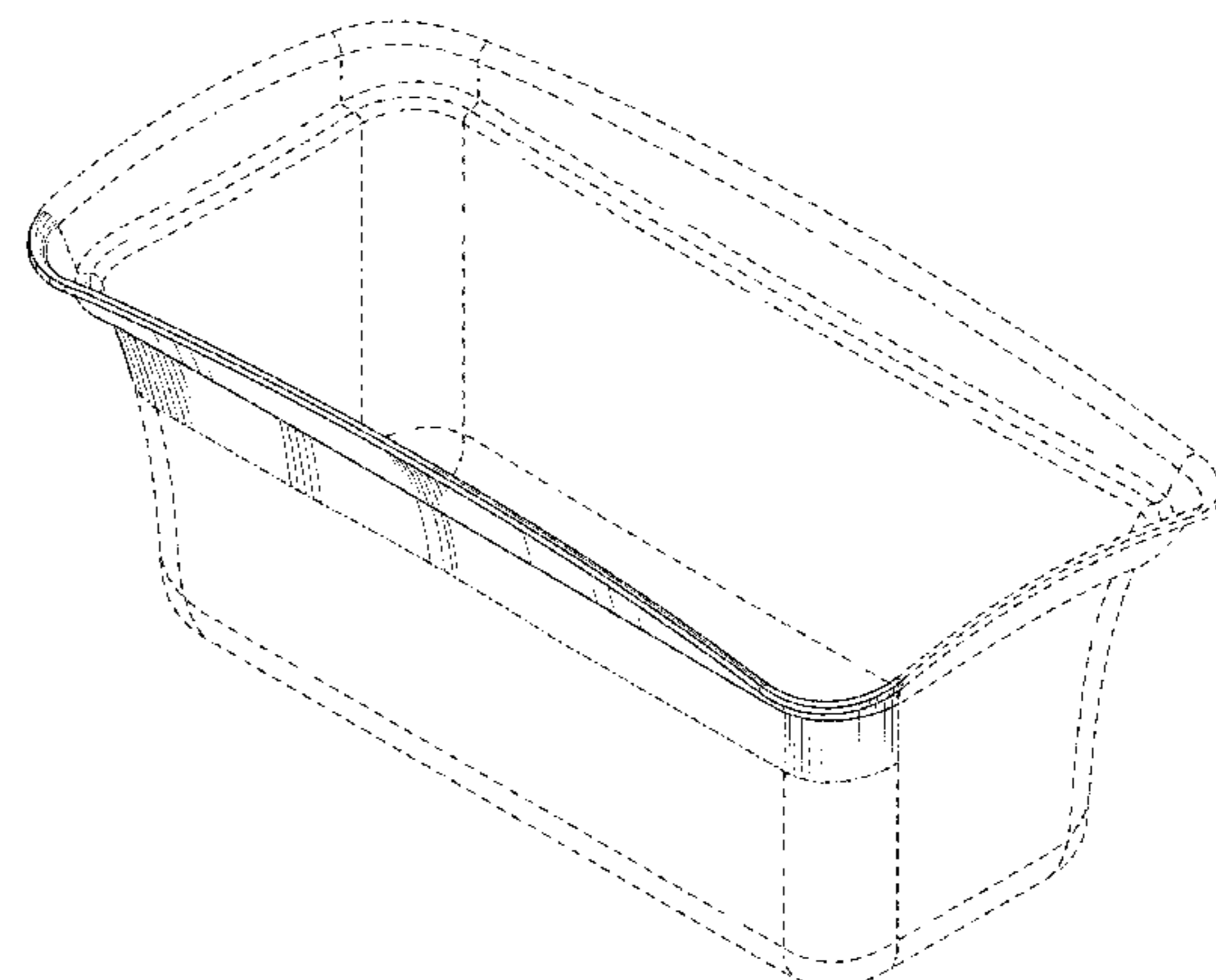
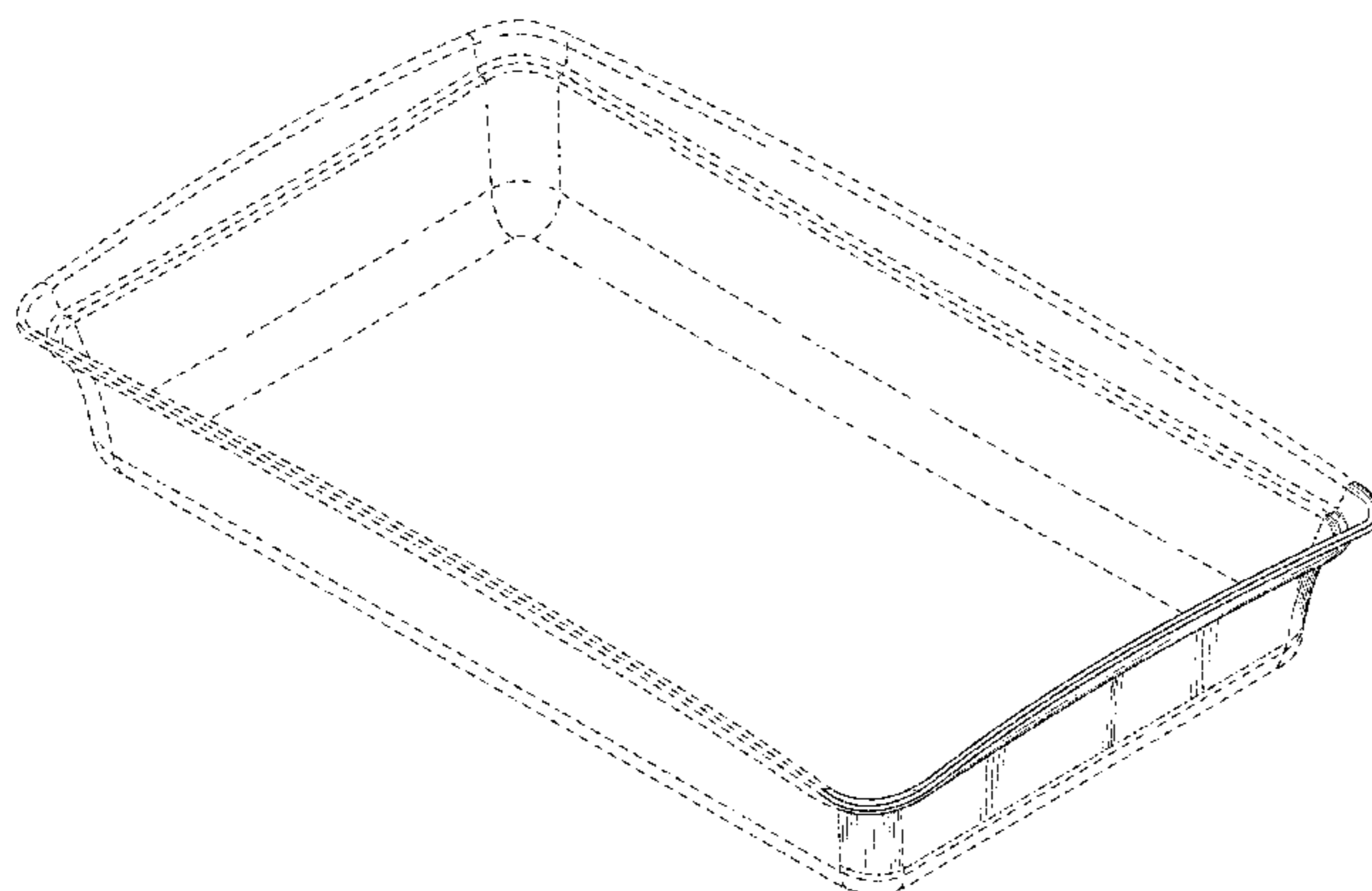
FIG. 19 is a rear view of the claimed design of FIG. 15;

FIG. 20 is a top plan view of the claimed design of FIG. 15; and,

FIG. 21 is a bottom plan view of the claimed design of FIG. 15.

The broken lines in the drawings are for purposes of illustrating unclaimed portions of the design. Broken lines formed by equal length dashes show unclaimed portions of the design. Broken lines formed of unequal length dashes (i.e., dash-dot) show boundaries between claimed and unclaimed portions of the design.

**1 Claim, 17 Drawing Sheets**



(56)

References Cited

U.S. PATENT DOCUMENTS

D417,367 S *	12/1999	Laib .....	D7/602	D596,893 S	7/2009	Tosdale et al.	
D422,836 S	4/2000	Mittmann		D597,371 S	8/2009	Tosdale et al.	
D427,482 S	7/2000	Mittmann		D612,663 S *	3/2010	Galperin .....	D7/354
D431,148 S	9/2000	Mittmann		D612,664 S *	3/2010	Galperin .....	D7/354
D435,390 S	12/2000	Mittmann		D613,108 S	4/2010	Tosdale et al.	
D443,173 S	6/2001	Danielsen et al.		D620,305 S	7/2010	Tosdale et al.	
D446,993 S	8/2001	Zank		D620,306 S	7/2010	Tosdale et al.	
D446,994 S	8/2001	Zank		D636,230 S *	4/2011	Koennecke .....	D7/586
D449,205 S	10/2001	Zank		D640,895 S	7/2011	Tosdale et al.	
6,349,843 B1	2/2002	Mittmann et al.		D641,590 S *	7/2011	Koennecke .....	D7/586
D454,751 S	3/2002	Zank		D650,667 S *	12/2011	Osentoski et al. ....	D9/434
6,415,945 B1	7/2002	Zank et al.		D665,221 S	8/2012	Tosdale et al.	
6,557,720 B2	5/2003	Tosdale et al.		D677,972 S *	3/2013	Tosdale et al. ....	D7/354
6,568,534 B2	5/2003	Zank		2005/0252814 A1 *	11/2005	Lobman et al. ....	206/518
D547,597 S *	7/2007	Levy et al. ....	D7/354	2007/0080163 A1 *	4/2007	Yeung .....	220/675
7,347,327 B2 *	3/2008	Lobman et al. ....	206/518	2010/0071567 A1	3/2010	Tosdale et al.	
				2012/0074032 A1	3/2012	Tosdale et al.	

\* cited by examiner

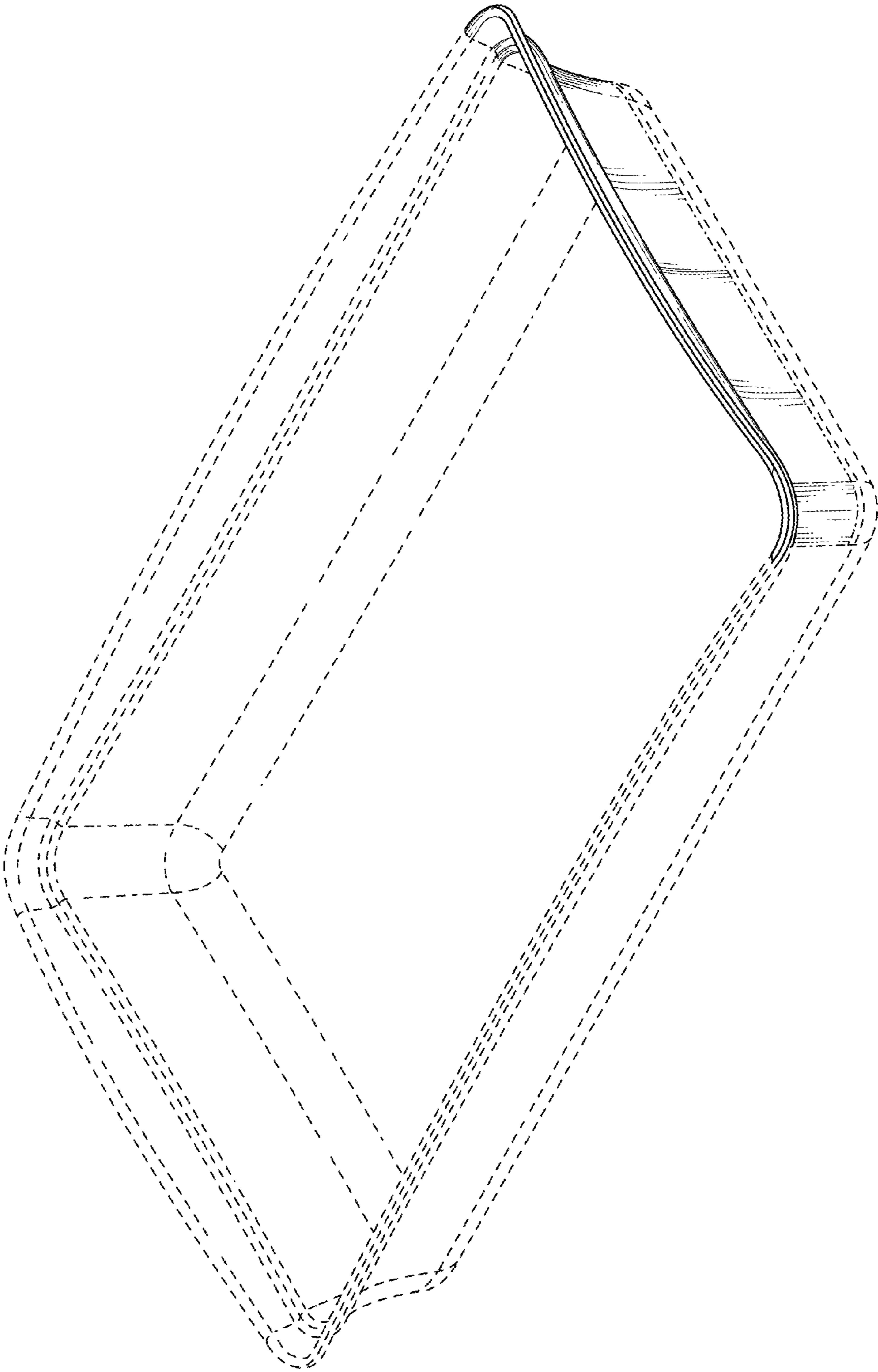


FIG. 1

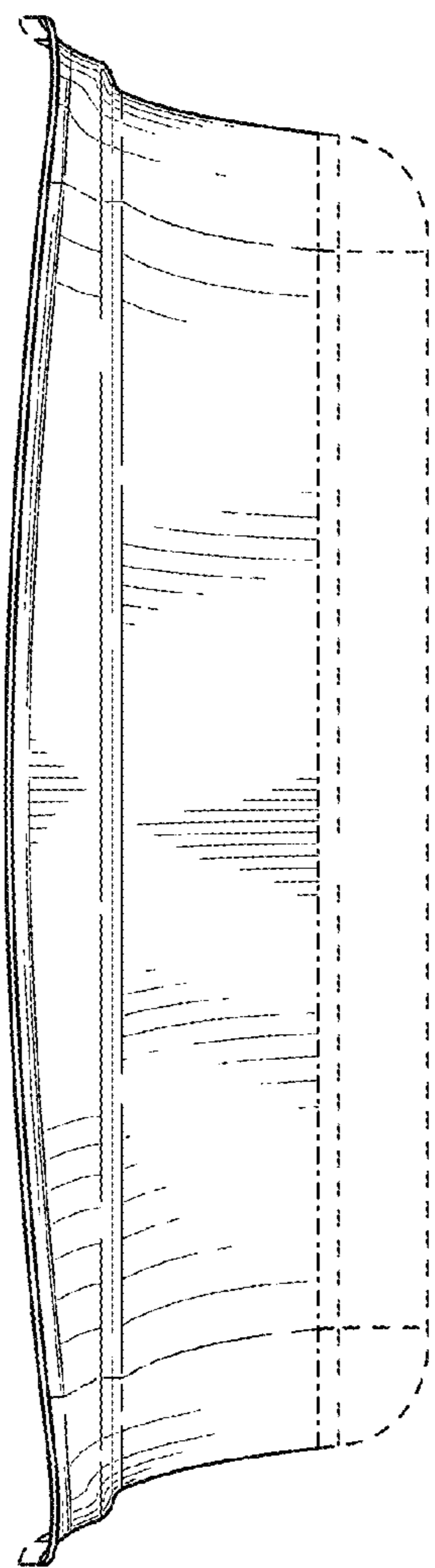


FIG. 2

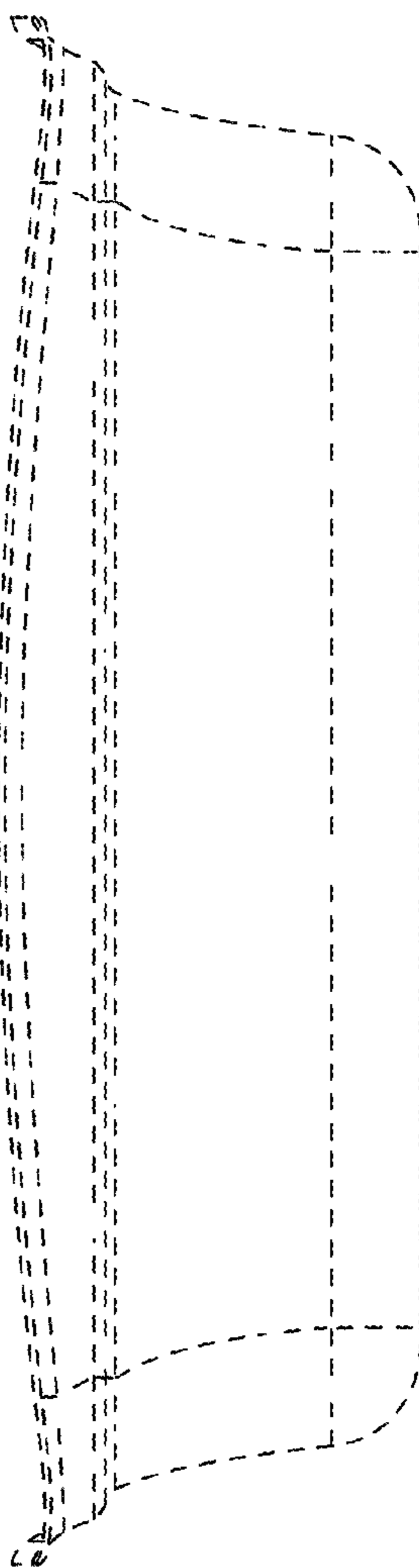


FIG. 3

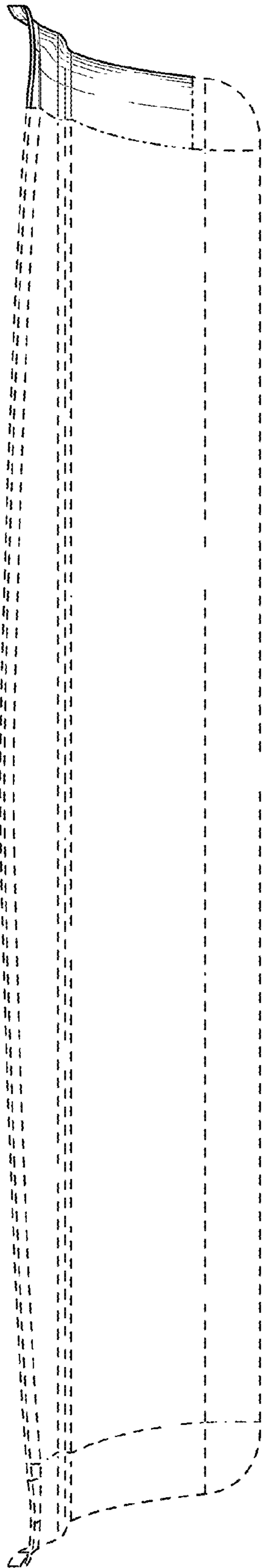


FIG. 4

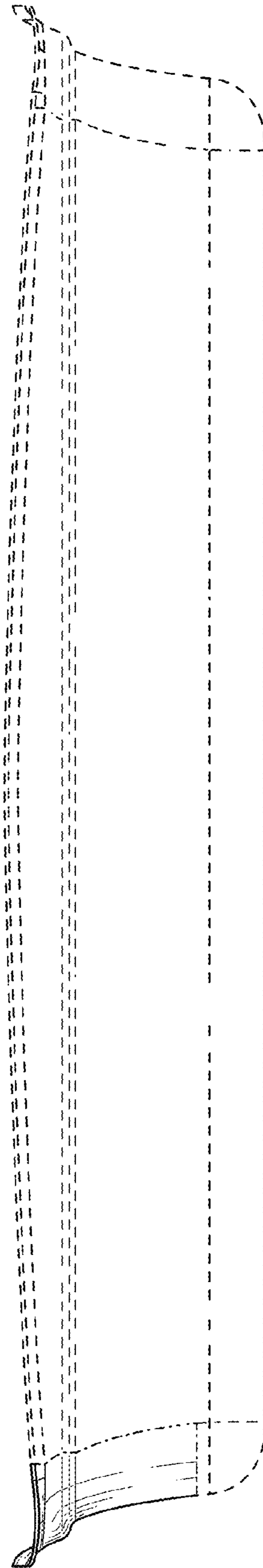


FIG. 5

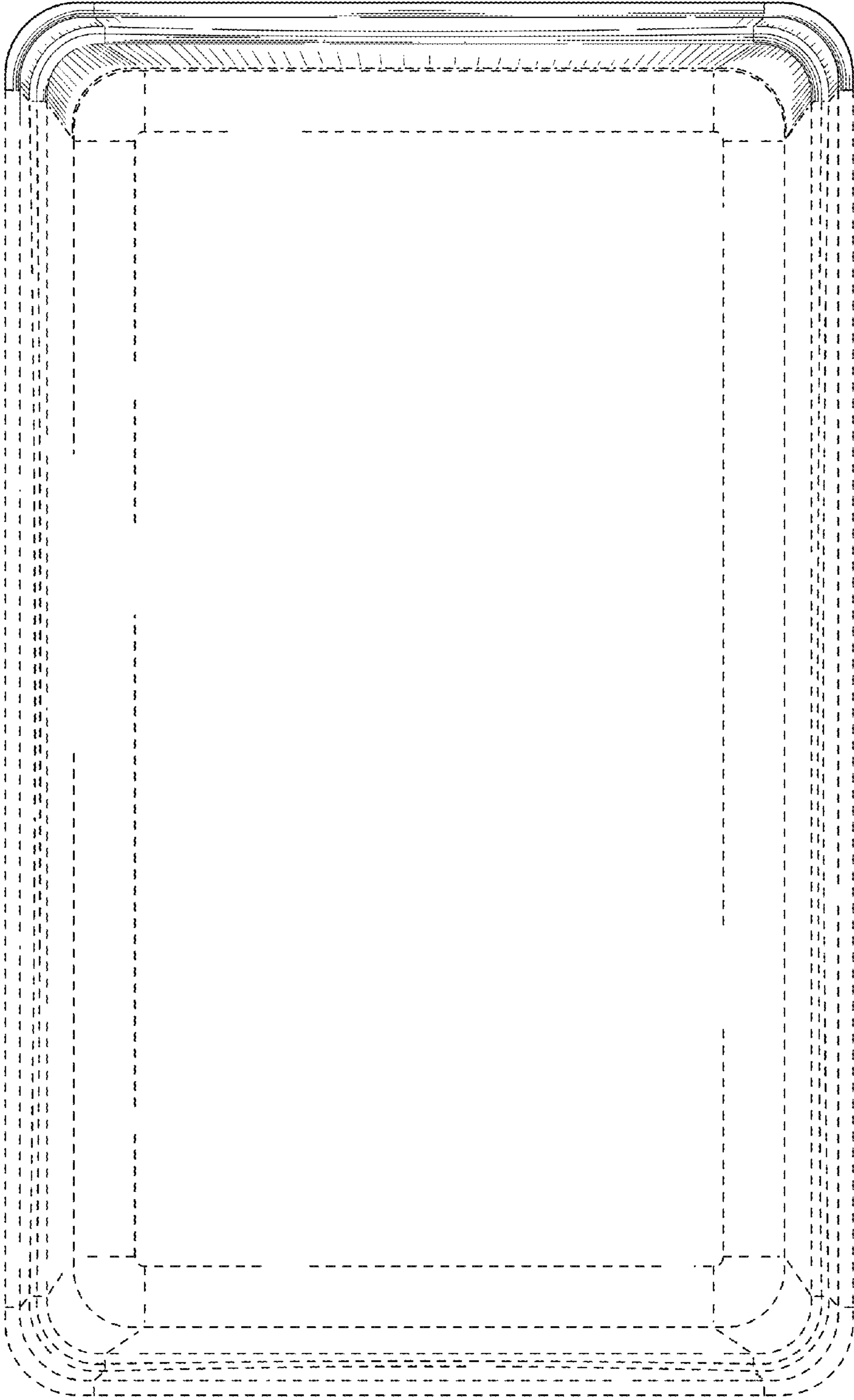


FIG. 6

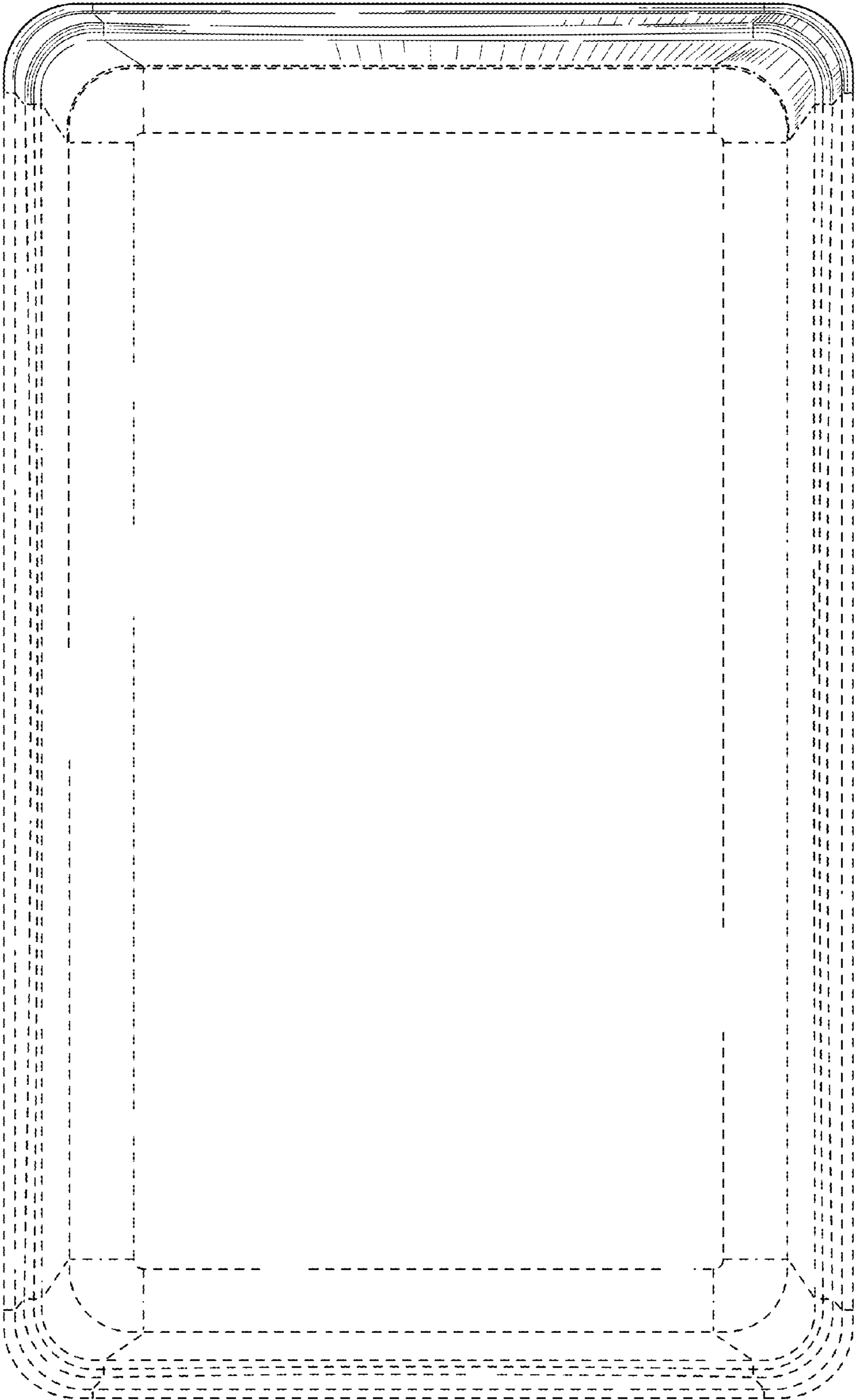


FIG. 7

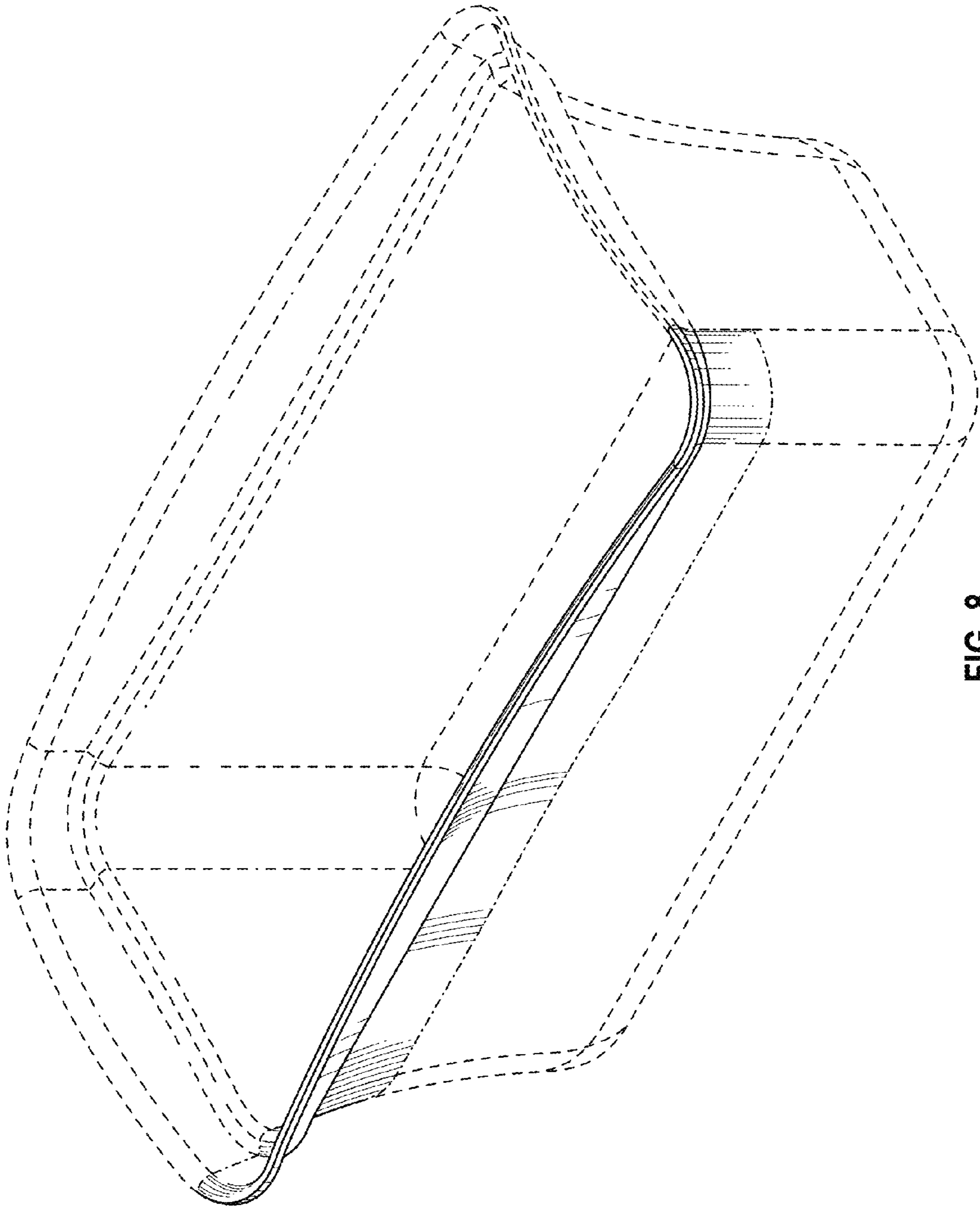


FIG. 8



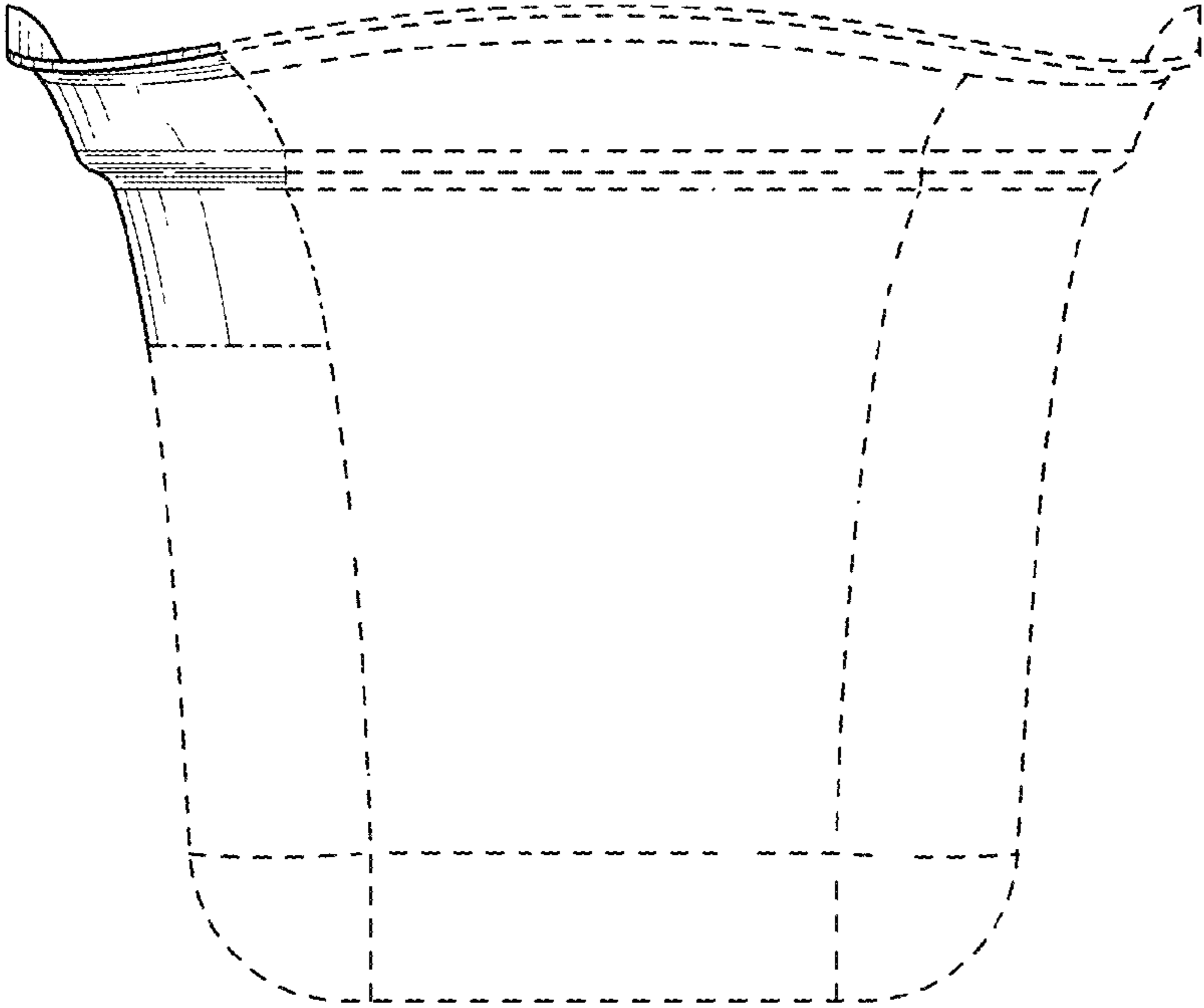


FIG. 9

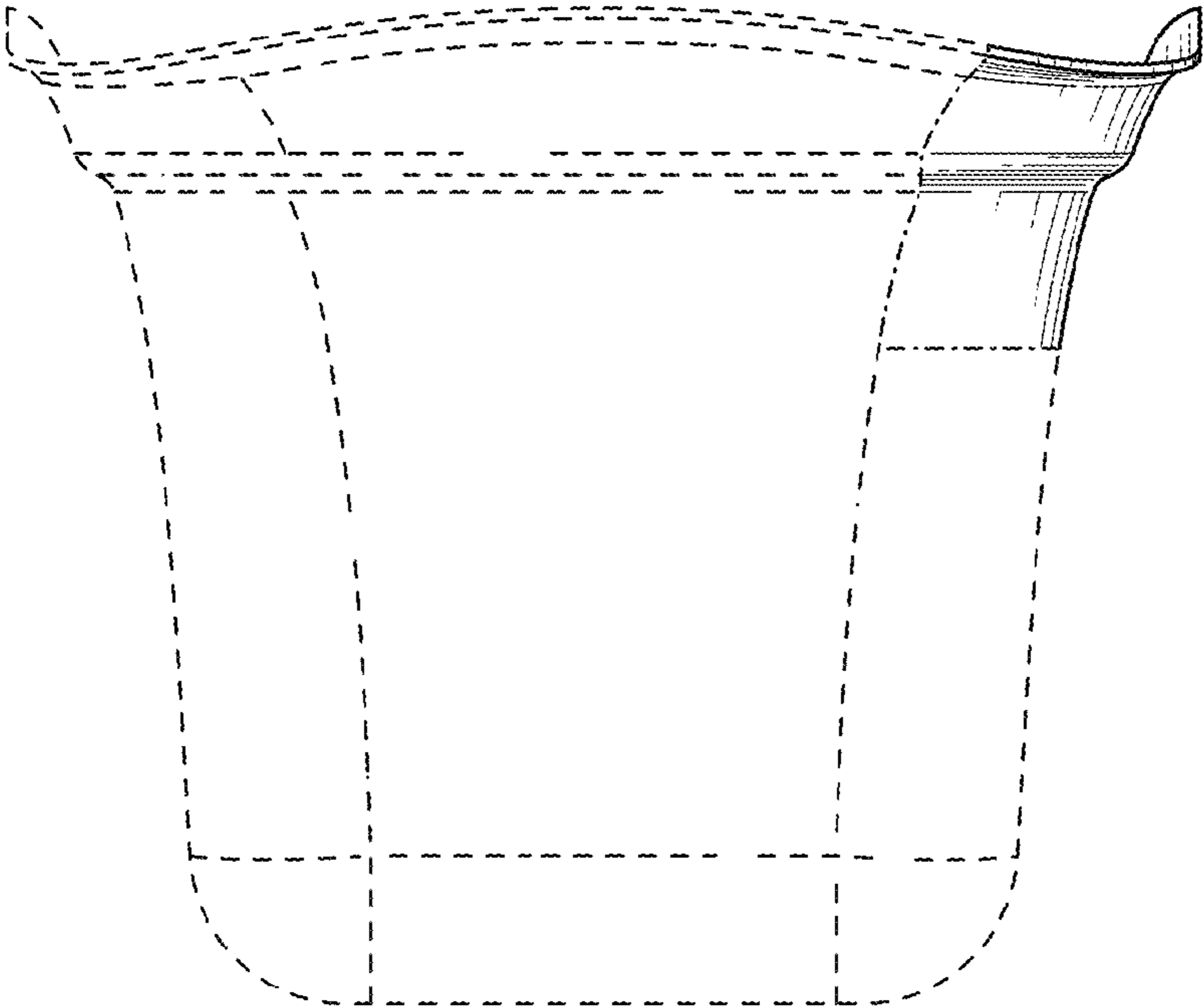


FIG. 10

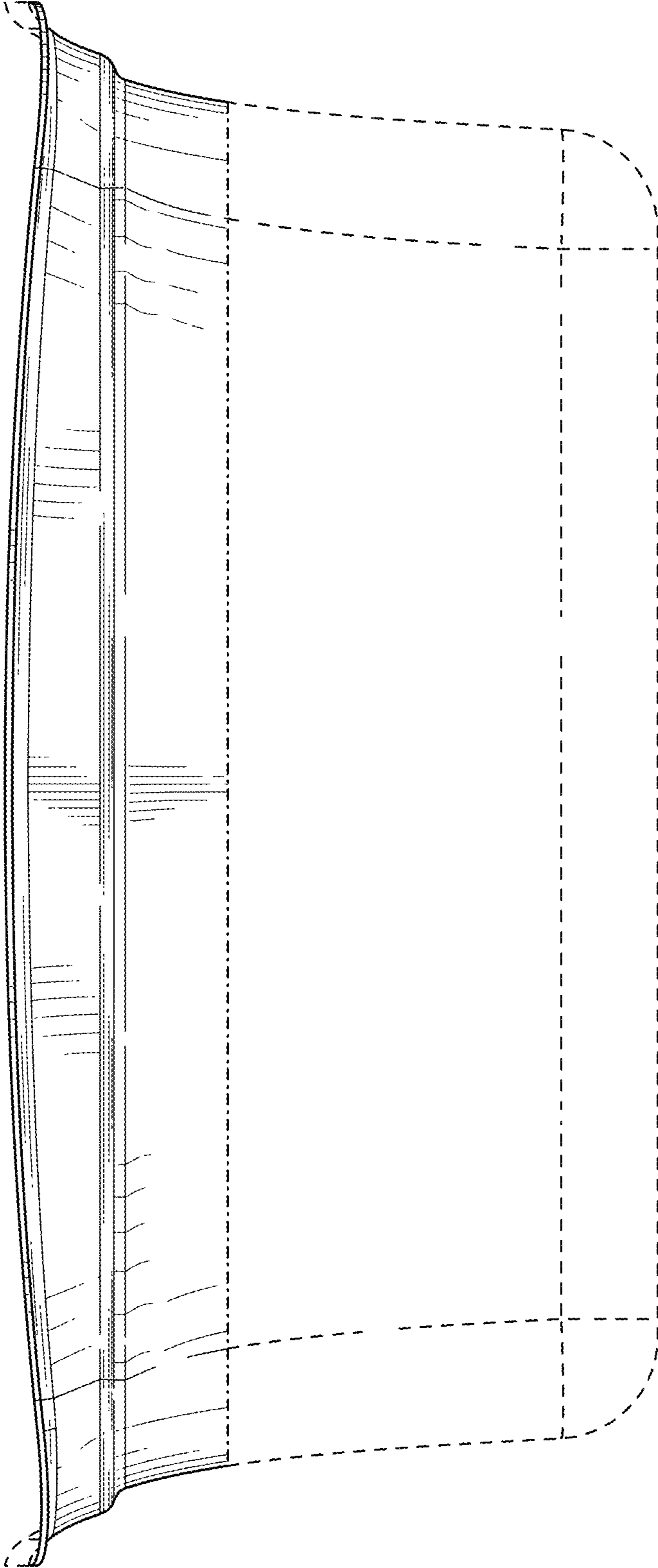


FIG. 11

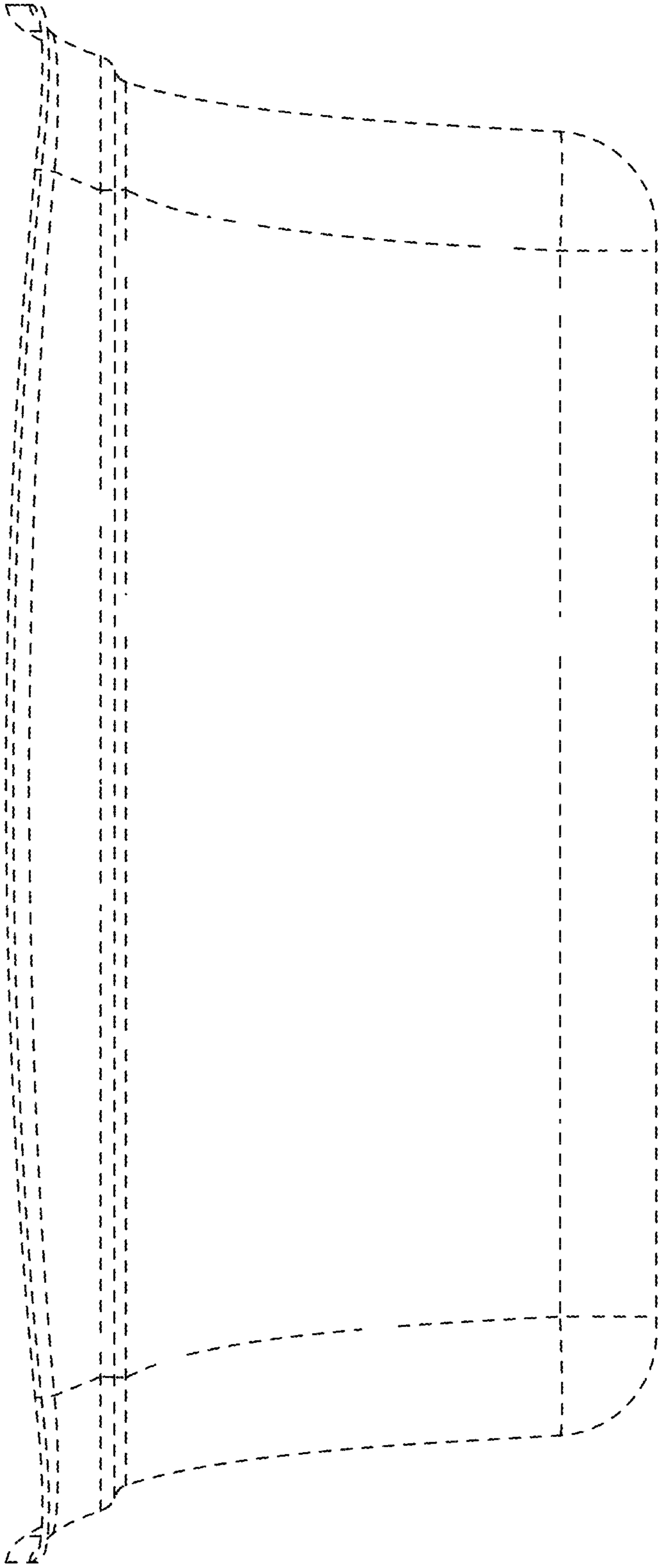


FIG. 12

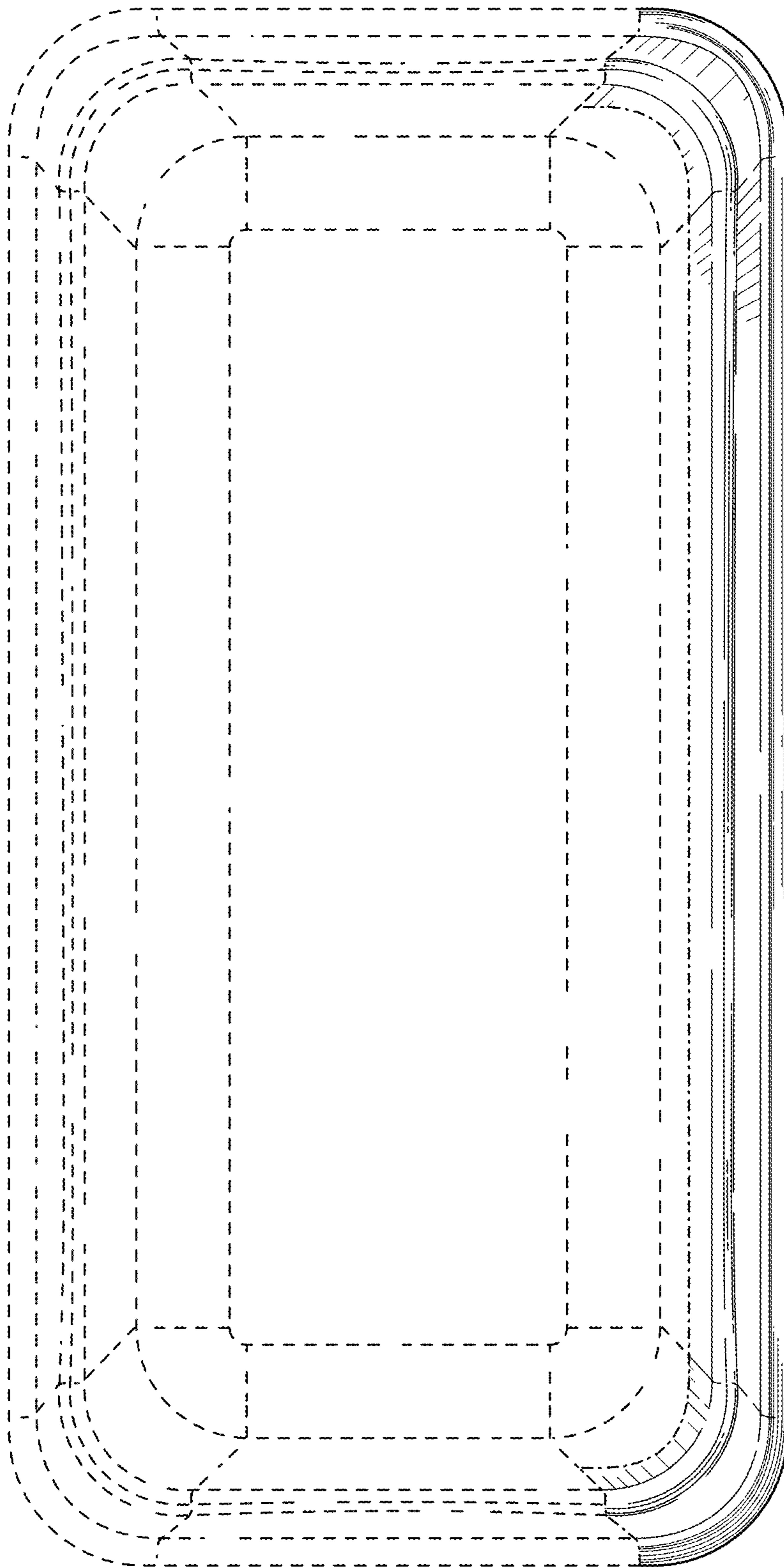


FIG. 13

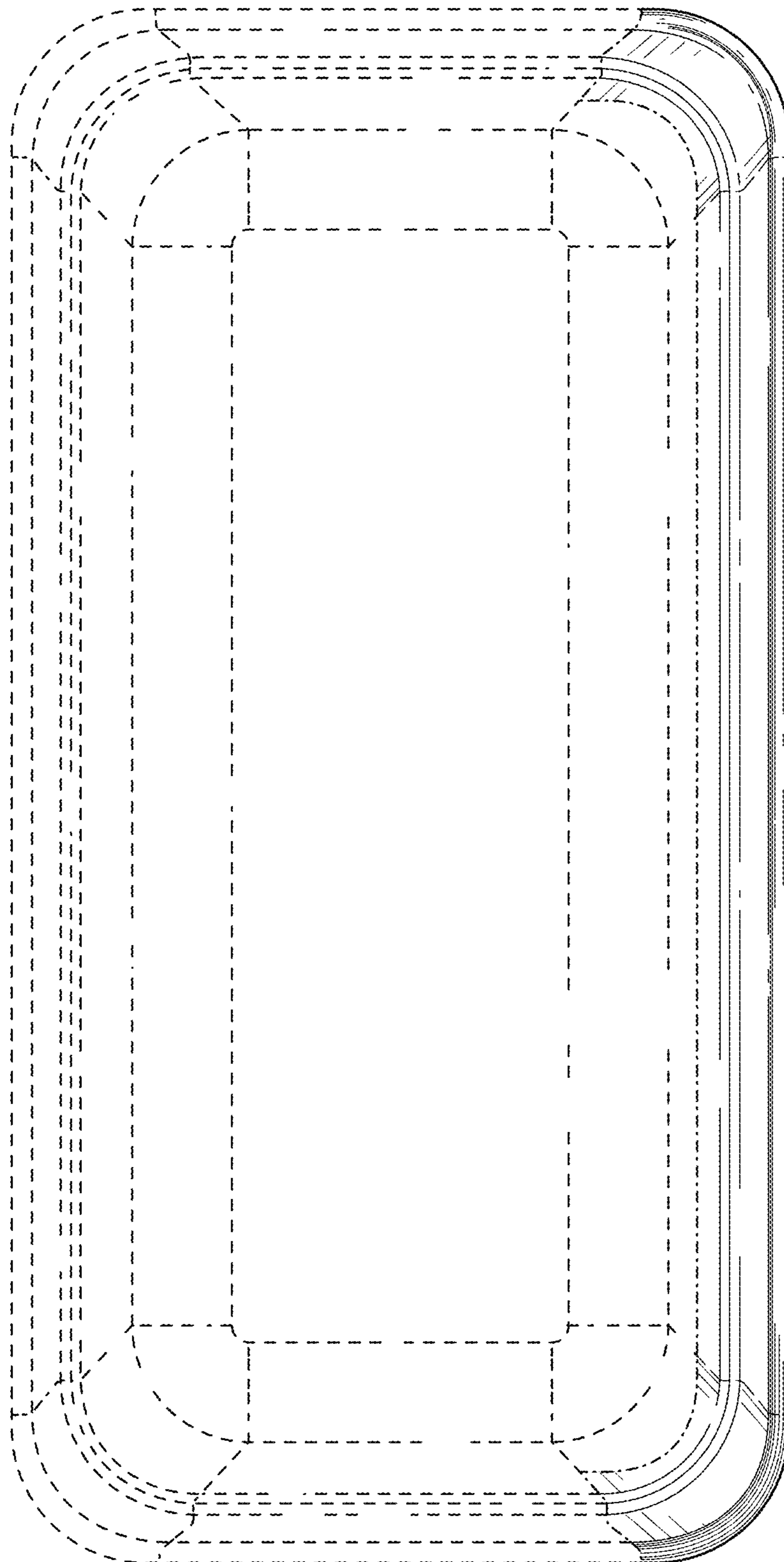


FIG. 14

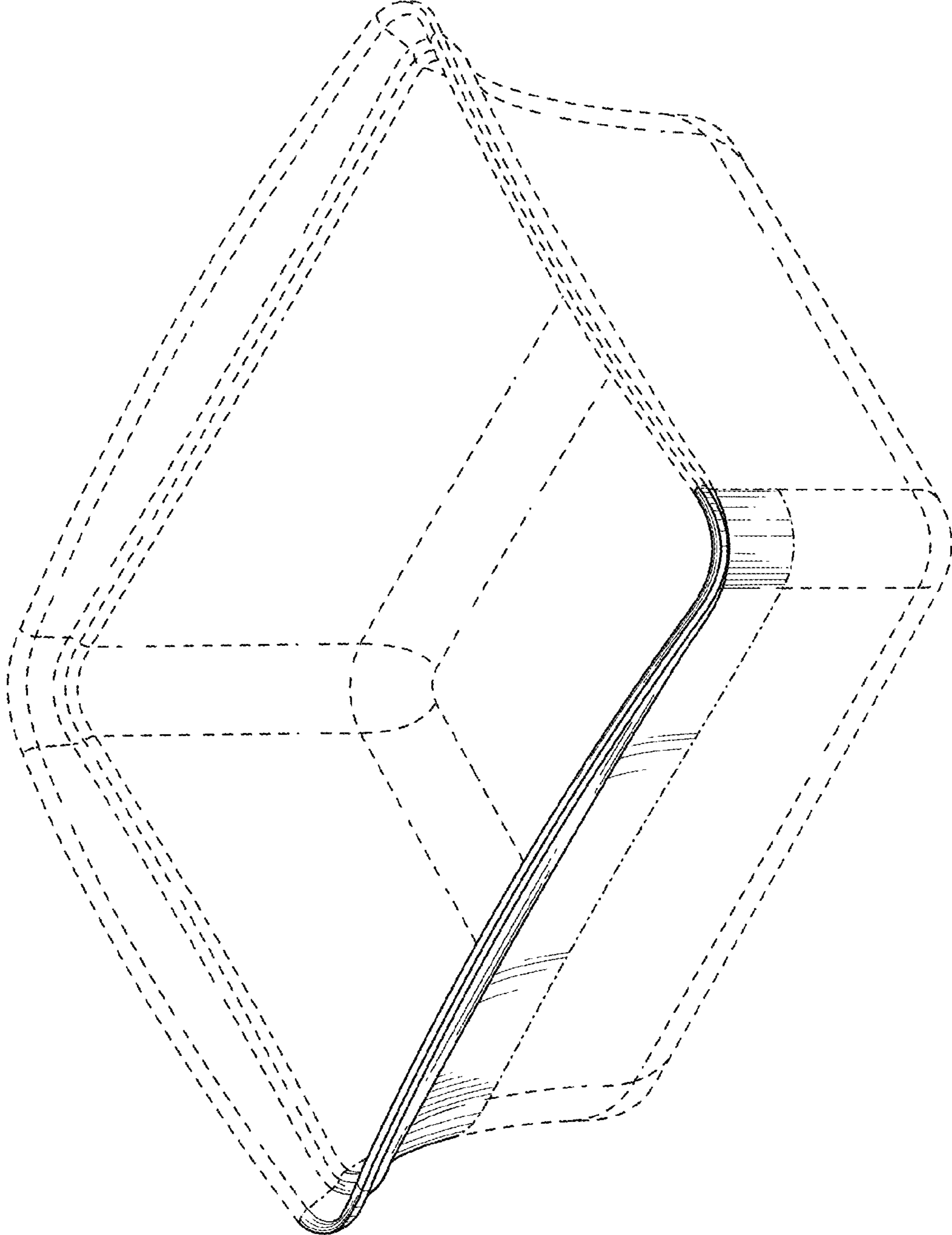


FIG. 15

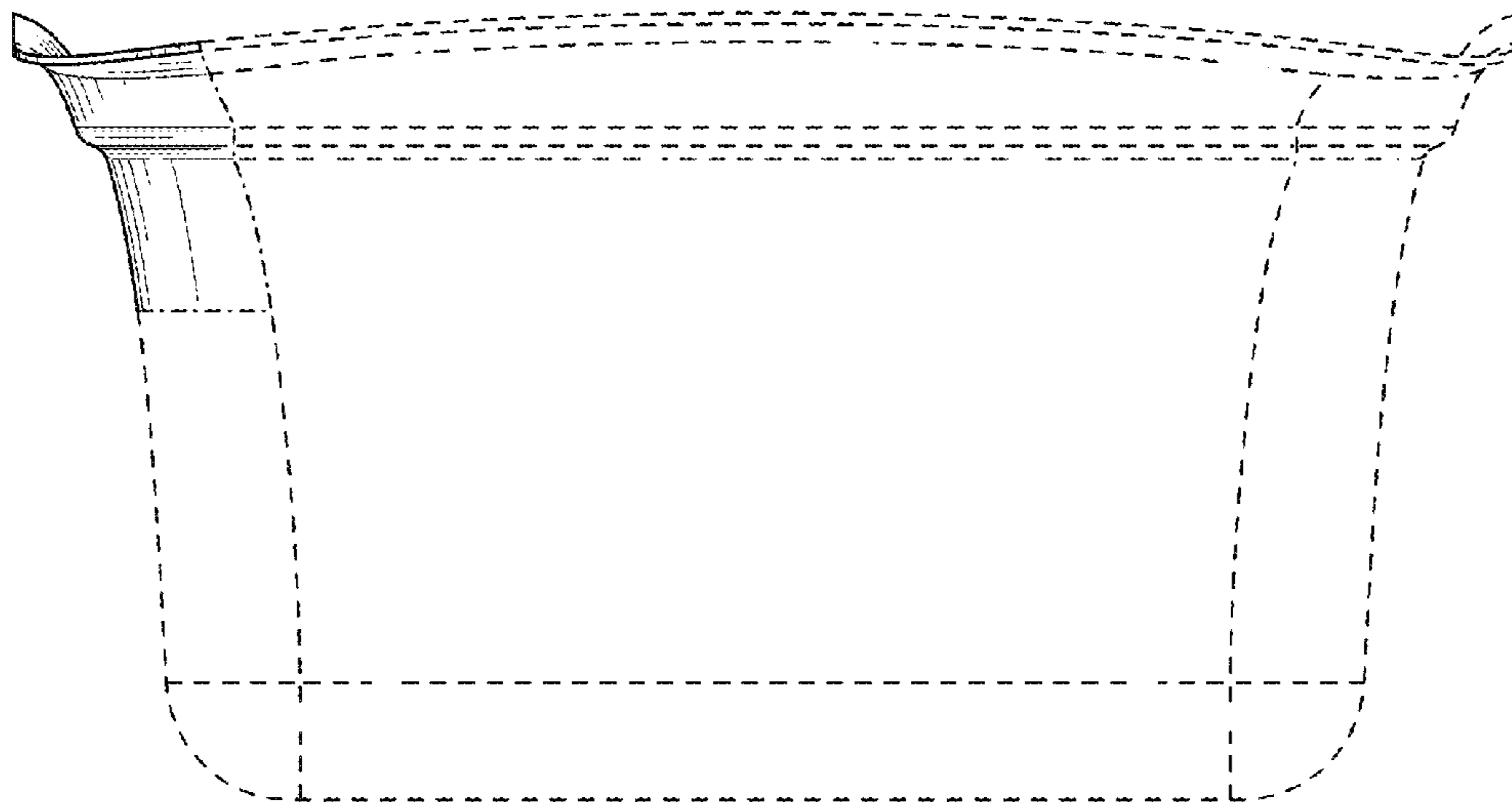


FIG. 16

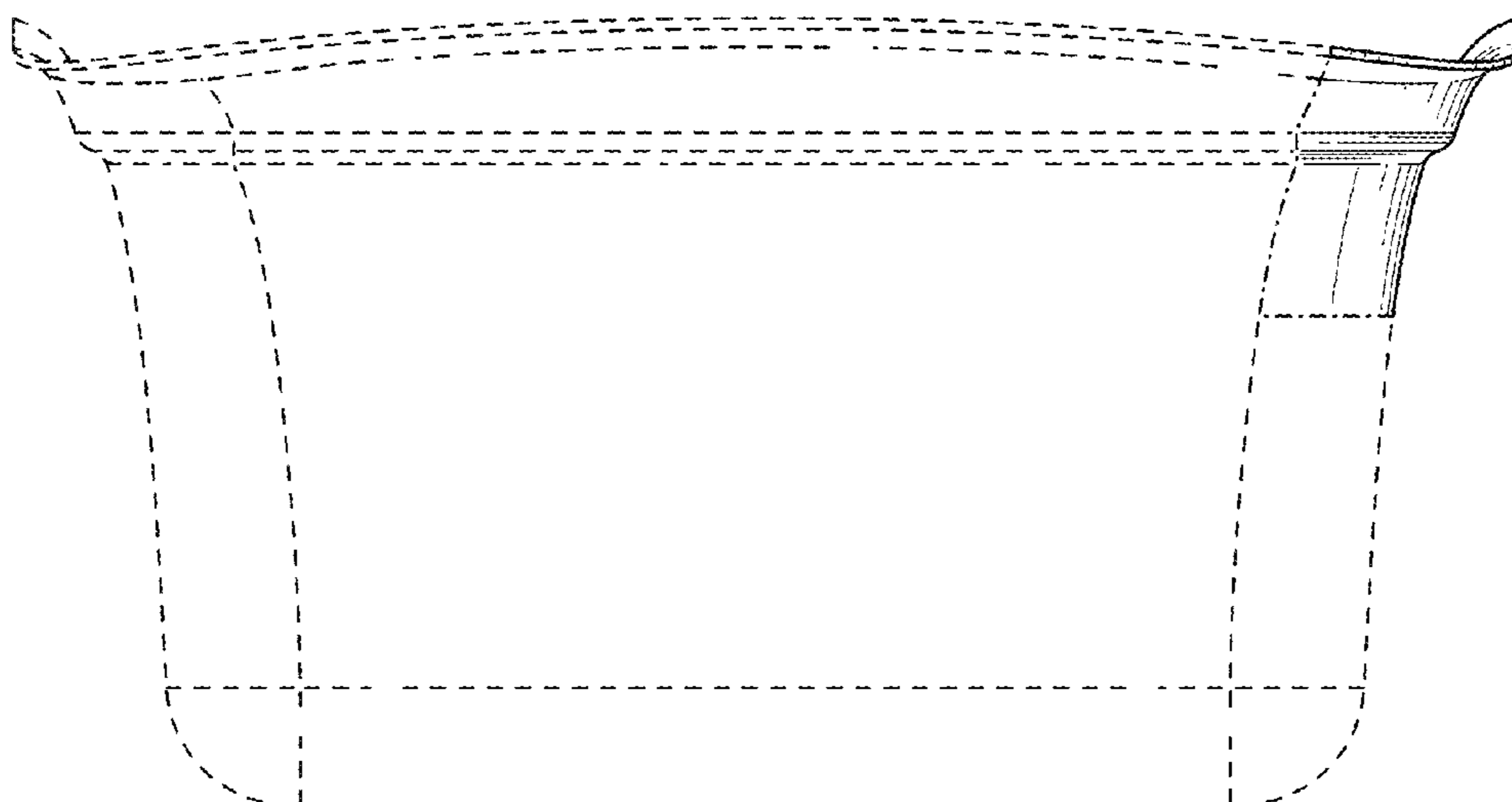


FIG. 17

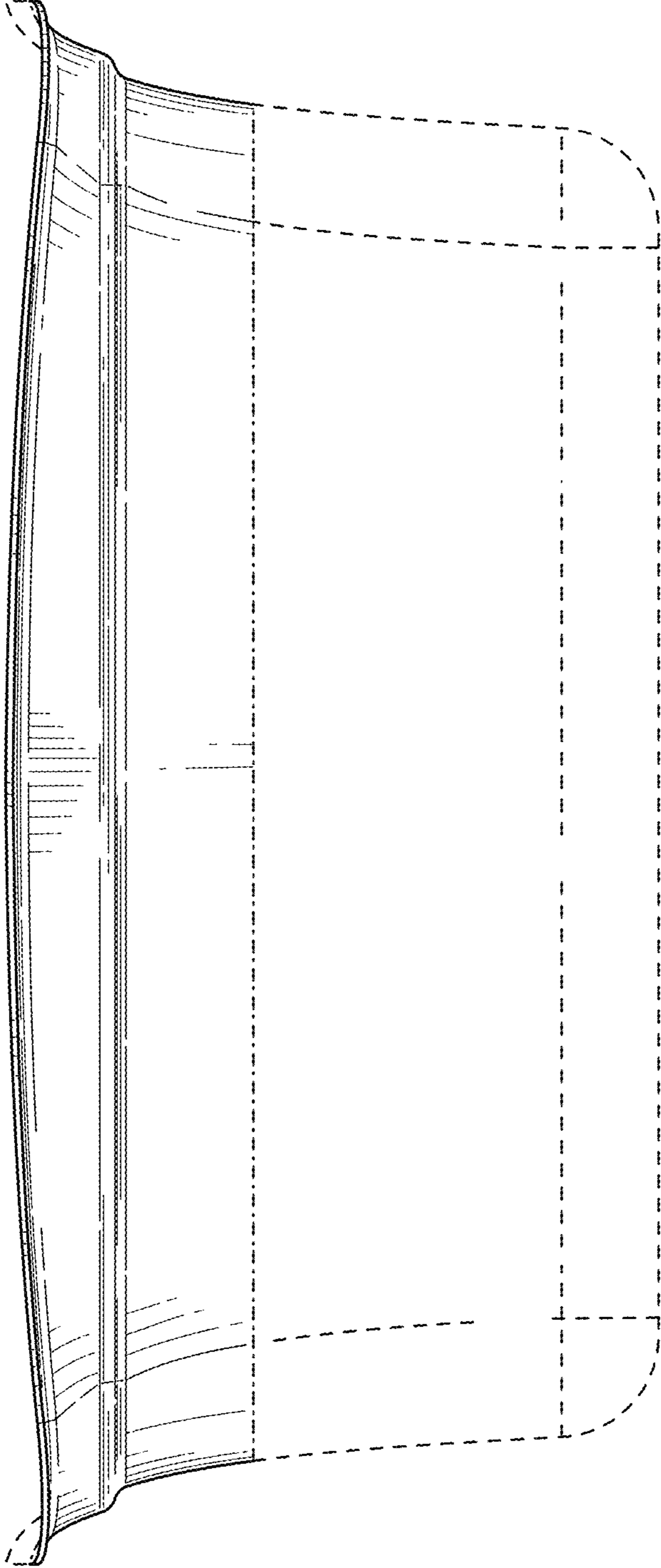


FIG. 18



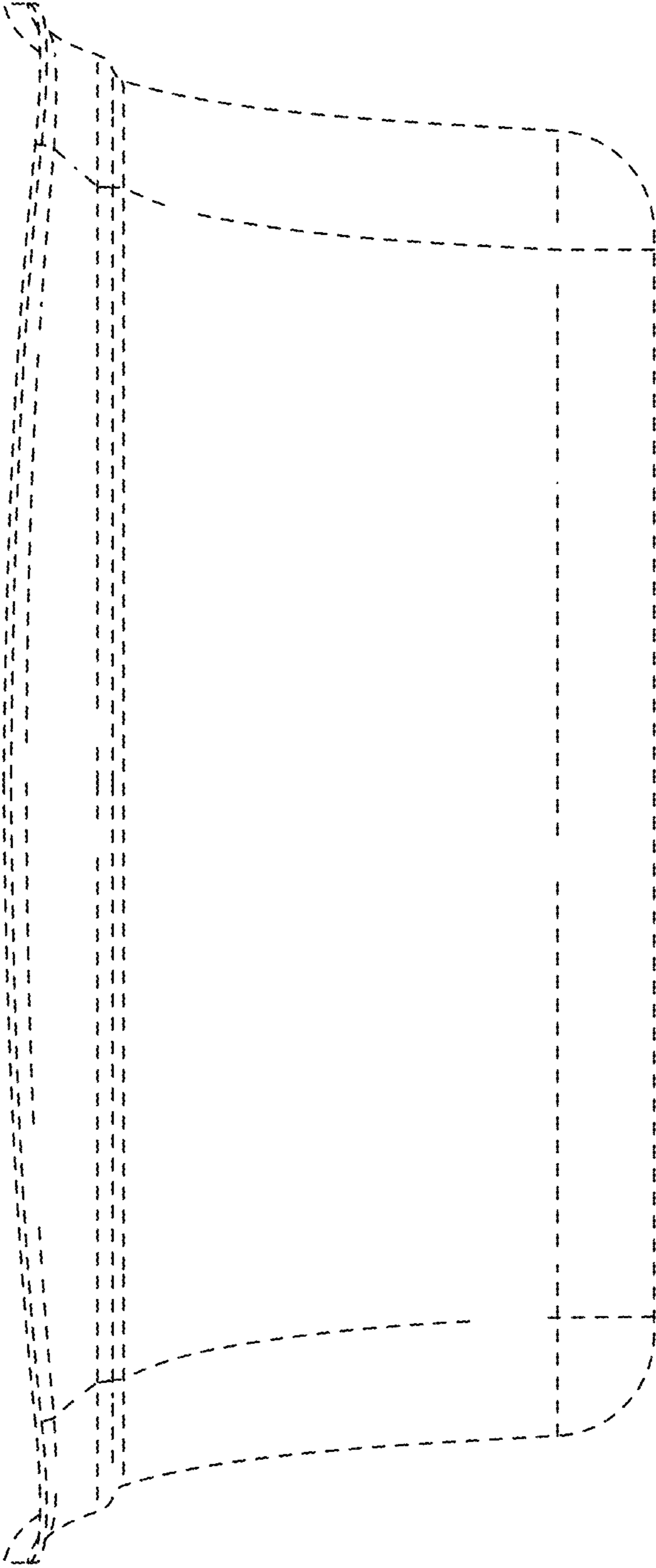


FIG. 19

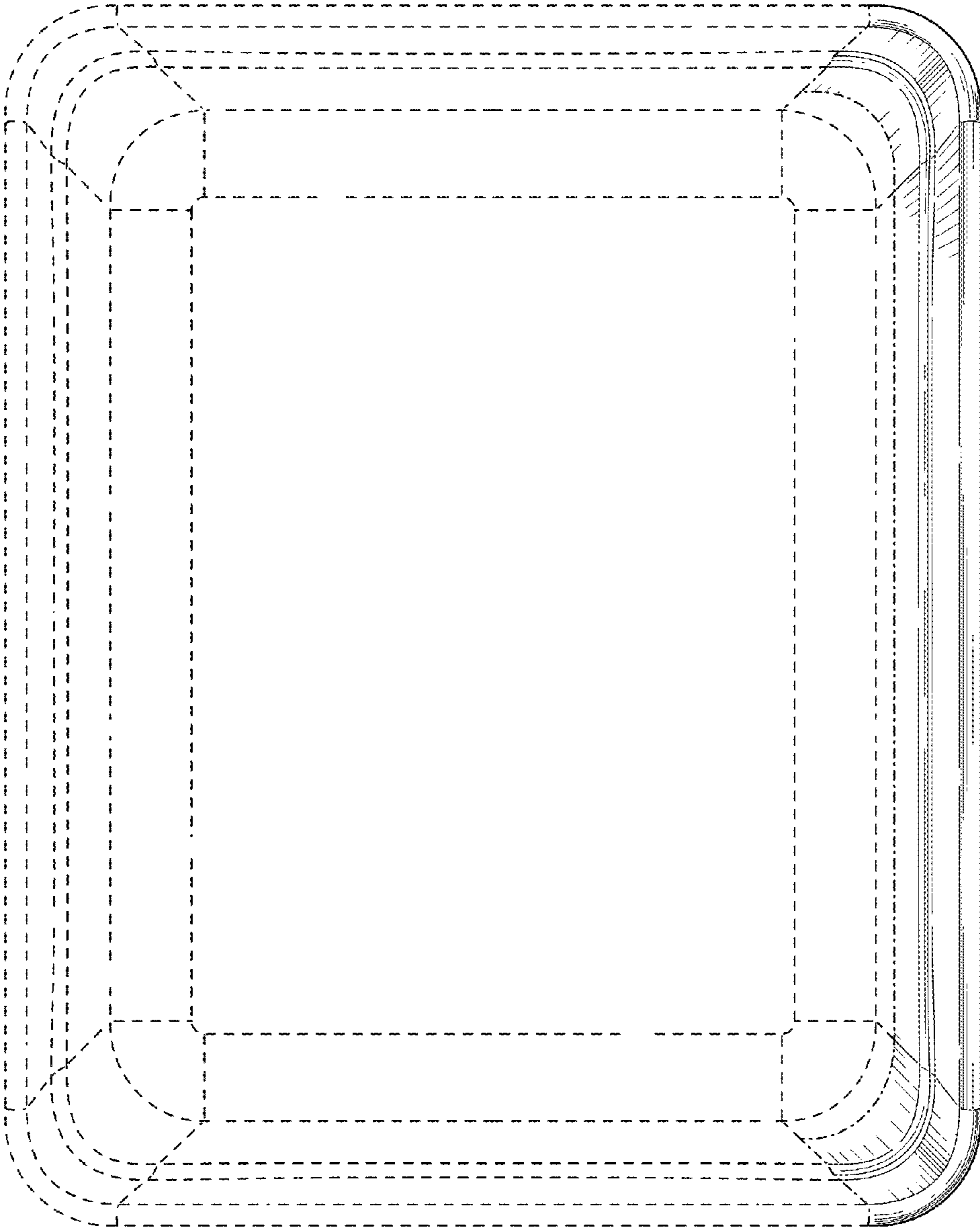


FIG. 20

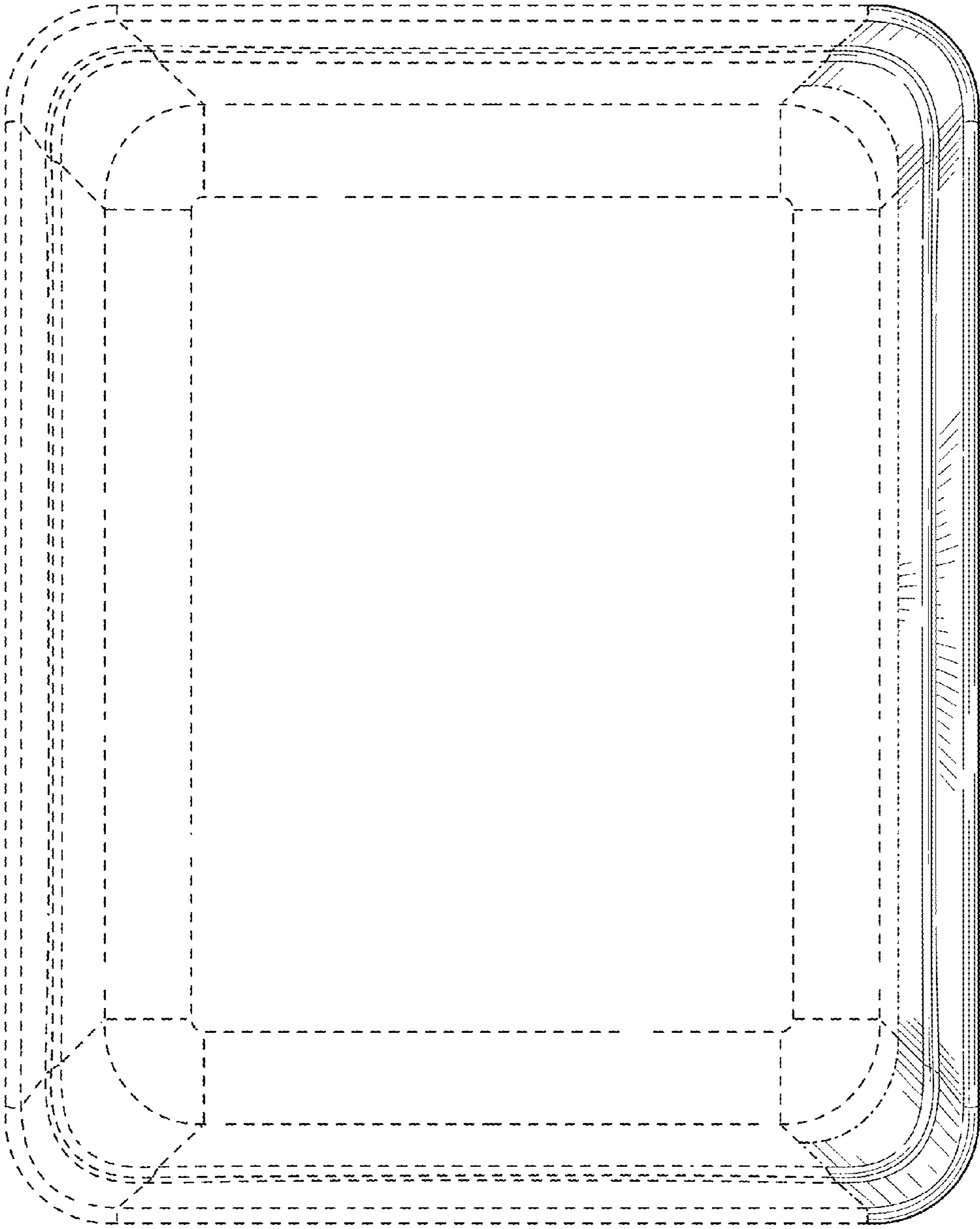


FIG. 21