

US00D690549S

(12) **United States Design Patent**
Porraro

(10) **Patent No.:** **US D690,549 S**
(45) **Date of Patent:** **** Oct. 1, 2013**

(54) **HOT WATER KETTLE**

D480,272 S * 10/2003 Yang D7/598
D545,135 S * 6/2007 Bodum D7/598
D641,255 S * 7/2011 Williams D9/719

(71) Applicant: **Matthew L Porraro**, Basking Ridge, NJ
(US)

* cited by examiner

(72) Inventor: **Matthew L Porraro**, Basking Ridge, NJ
(US)

Primary Examiner — Marianne Pandozzi
(74) *Attorney, Agent, or Firm* — George A Herbster

(**) Term: **14 Years**

(57) **CLAIM**

(21) Appl. No.: **29/439,914**

The ornamental design for the hot water kettle, as shown and described above.

(22) Filed: **Dec. 17, 2012**

DESCRIPTION

(51) **LOC (9) Cl.** **07-01**

(52) **U.S. Cl.**
USPC **D7/317; D7/312; D7/300**

(58) **Field of Classification Search**
USPC D7/316-319, 600, 598, 300, 312;
210/85, 251; 222/465.1; 215/12.1
See application file for complete search history.

FIG. 1 is a perspective view of a hot water kettle showing my new design from the right front;
FIG. 2 is a front elevation of the hot water kettle of FIG. 1;
FIG. 3 is a rear elevation of the hot water kettle of FIG. 1;
FIG. 4 is a right side elevation view of the hot water kettle shown in FIG. 1;
FIG. 5 is a left side elevation view of the hot water kettle shown in FIG. 1;
FIG. 6 is a top plan view of the hot water kettle of FIG. 1; and,
FIG. 7 is a bottom plan view of the hot water kettle shown in FIG. 1.

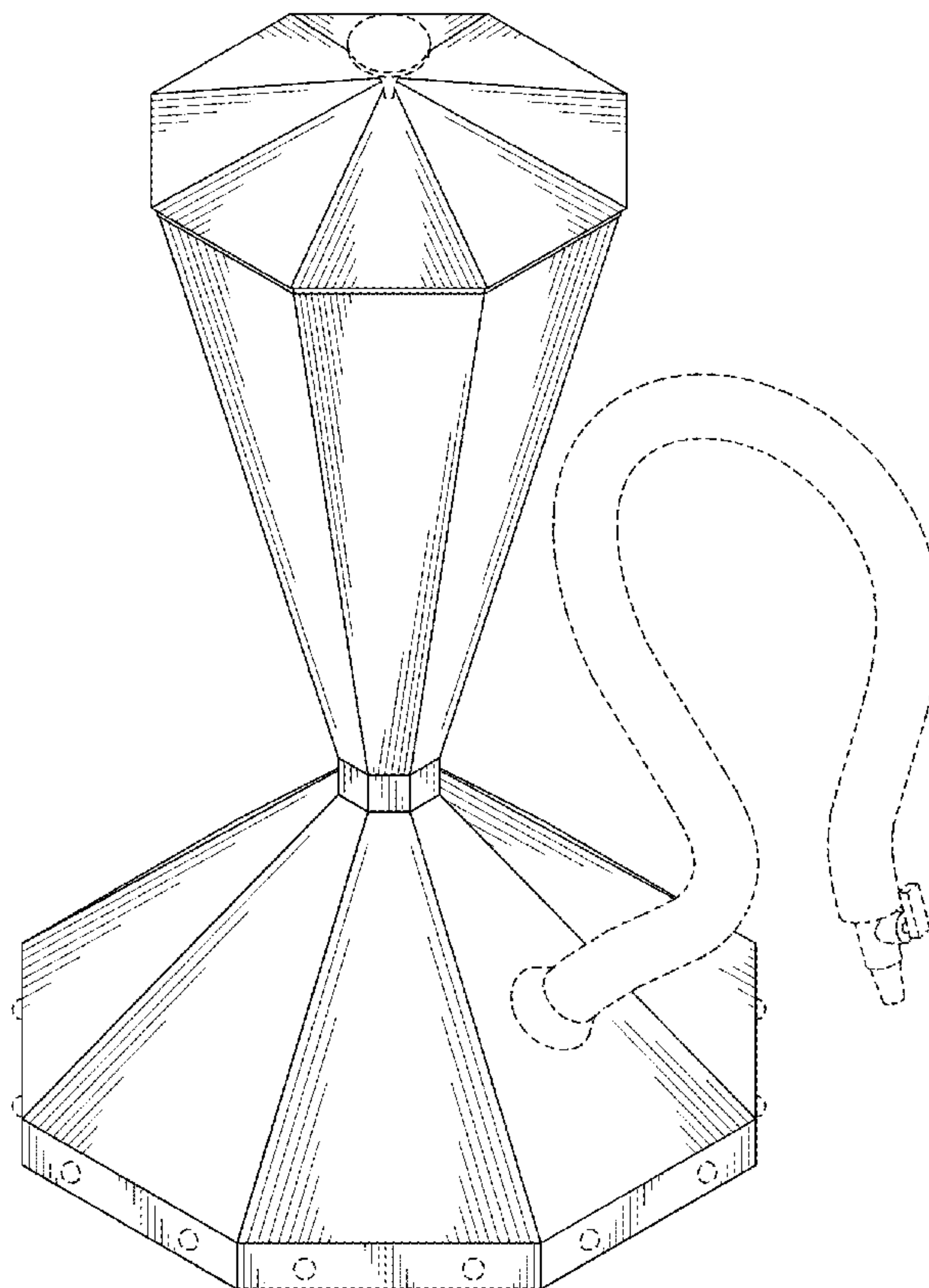
The broken lines in the drawings are included for the purpose of illustration and form no part of the claimed design.

(56) **References Cited**

U.S. PATENT DOCUMENTS

2,411,340 A * 11/1946 Schlumbohm 222/572
D231,307 S * 4/1974 Wolfman D7/310
D236,314 S * 8/1975 Sugai D7/319
D359,688 S * 6/1995 Rosen D9/504
D471,767 S * 3/2003 Ucar Cortes et al. D7/598

1 Claim, 7 Drawing Sheets



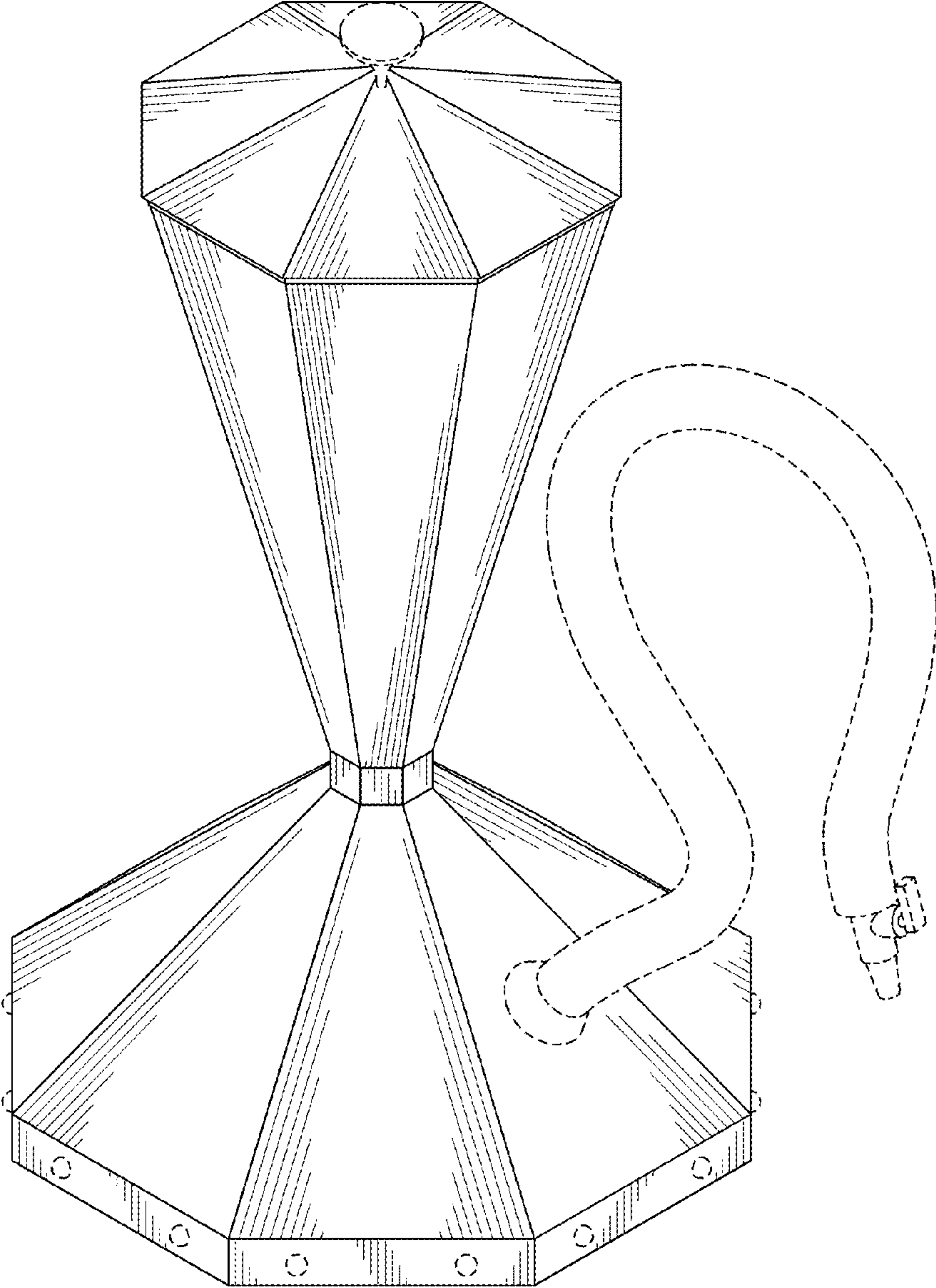


FIG. 1

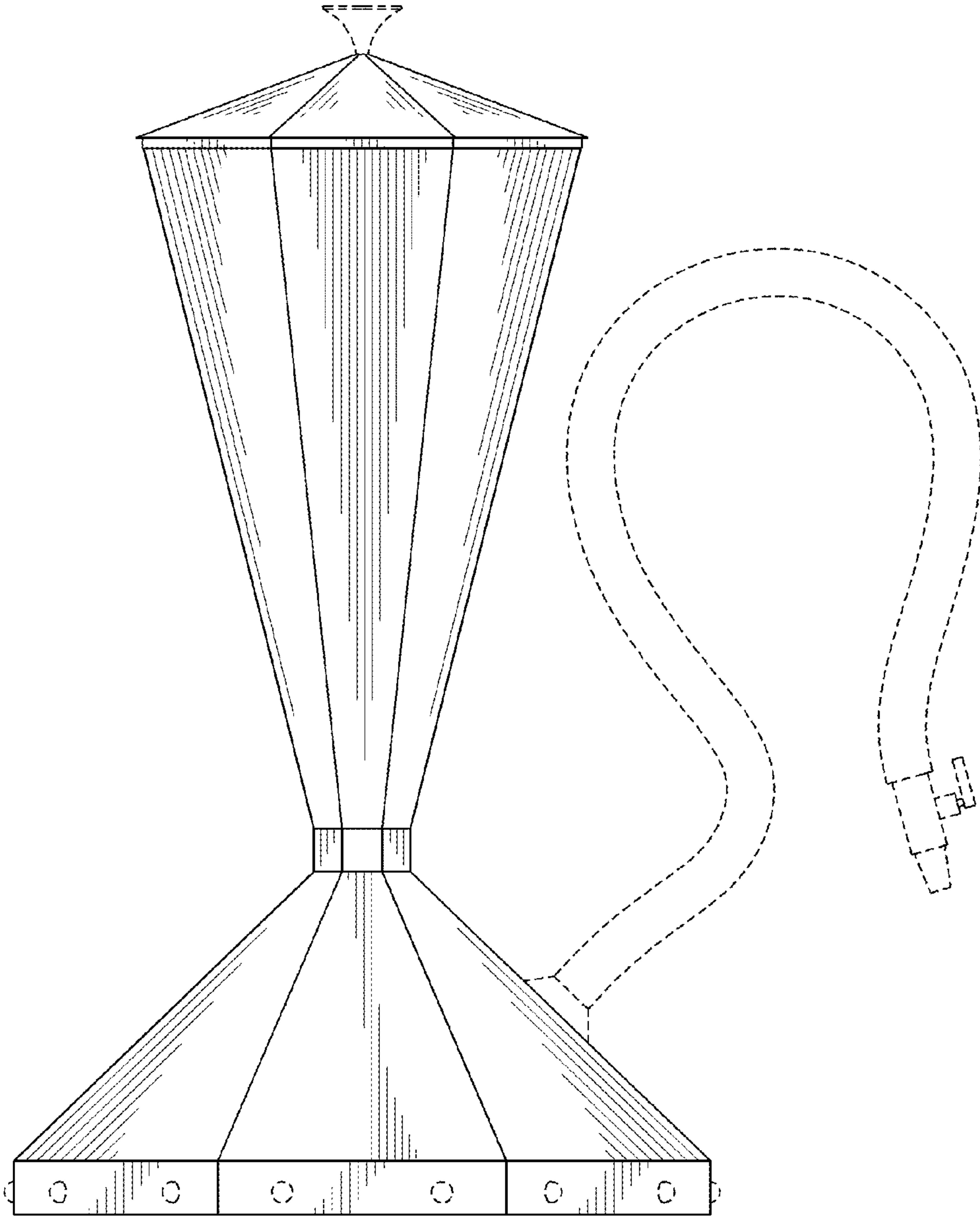


FIG. 2

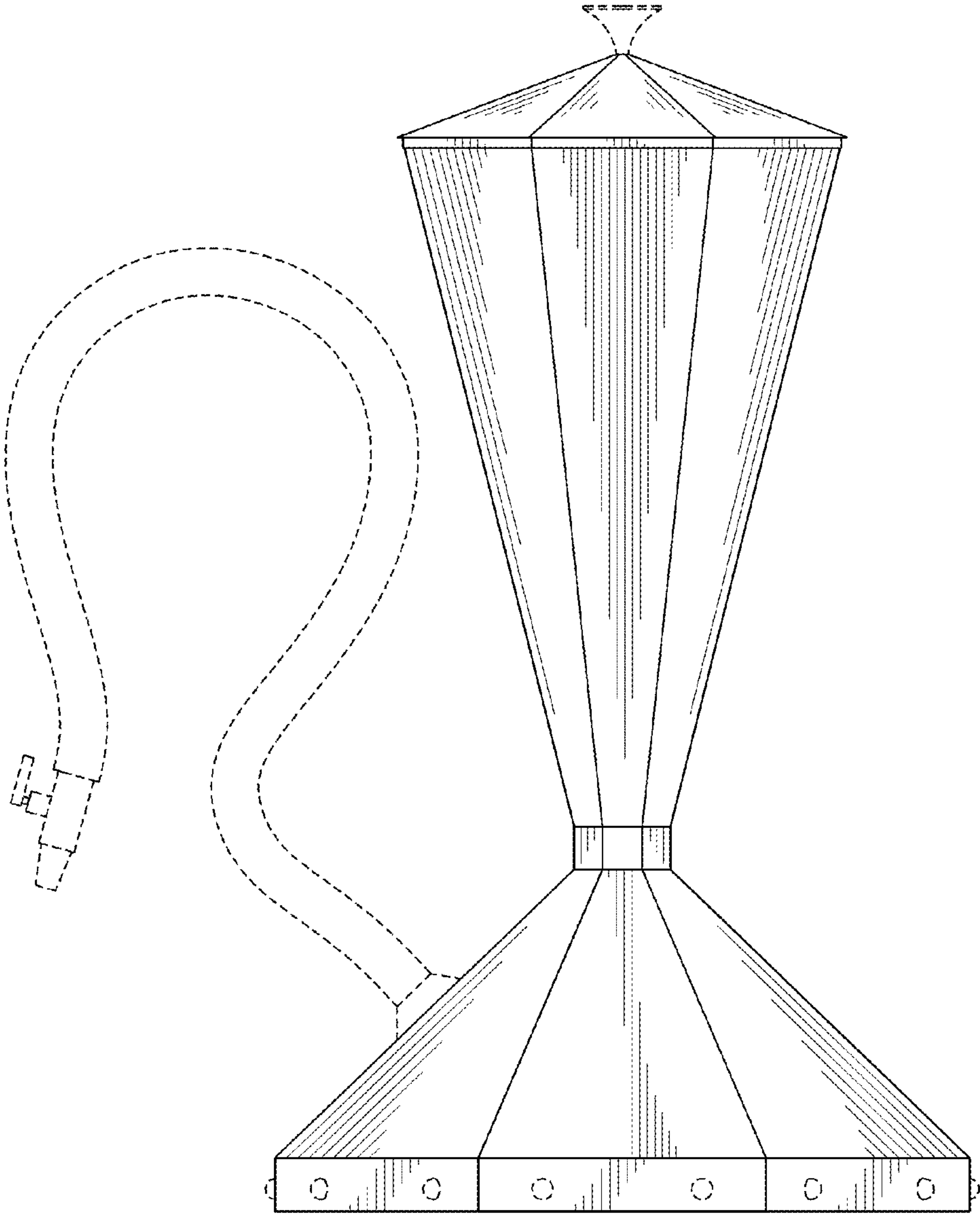


FIG. 3

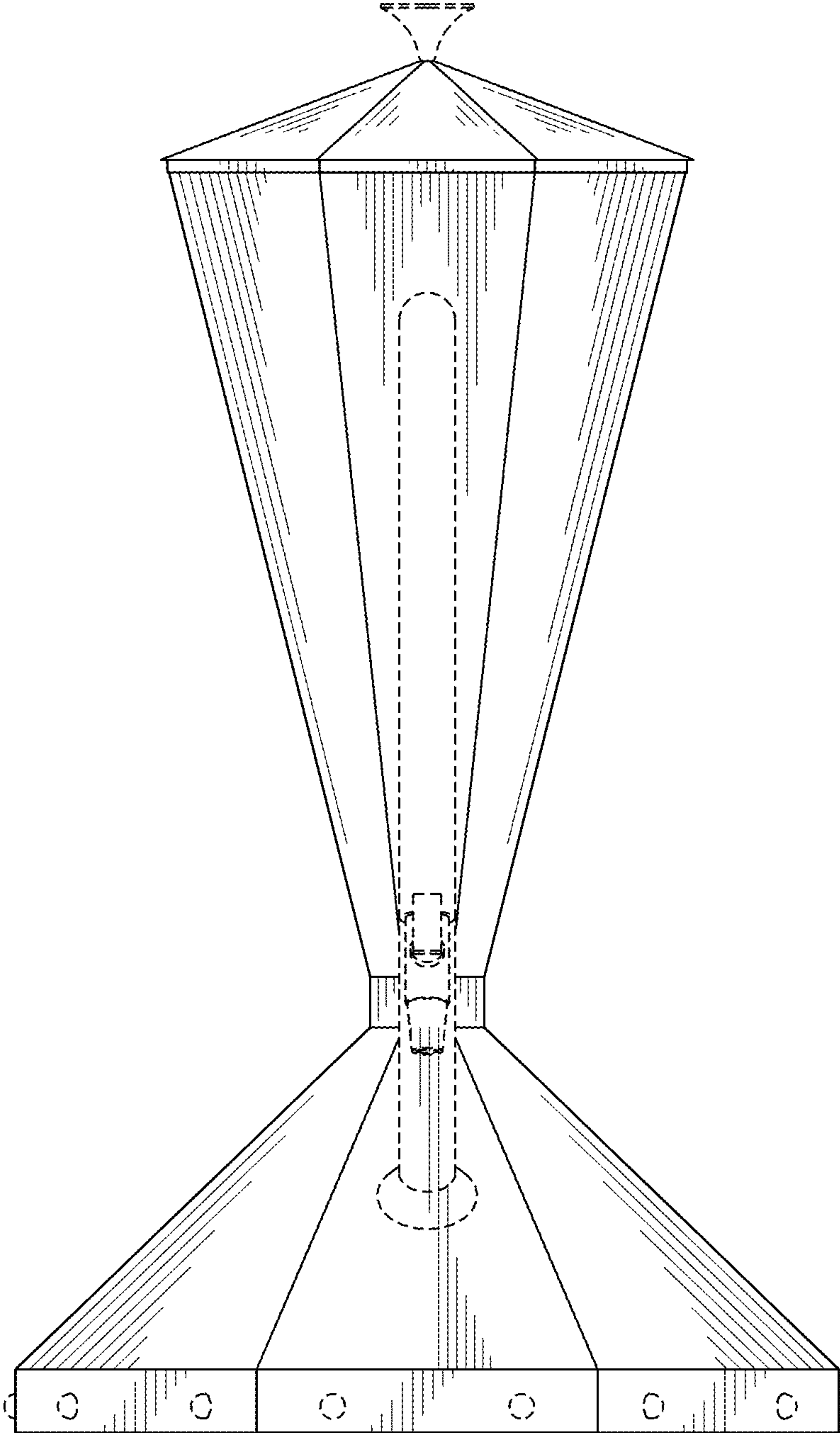


FIG. 4

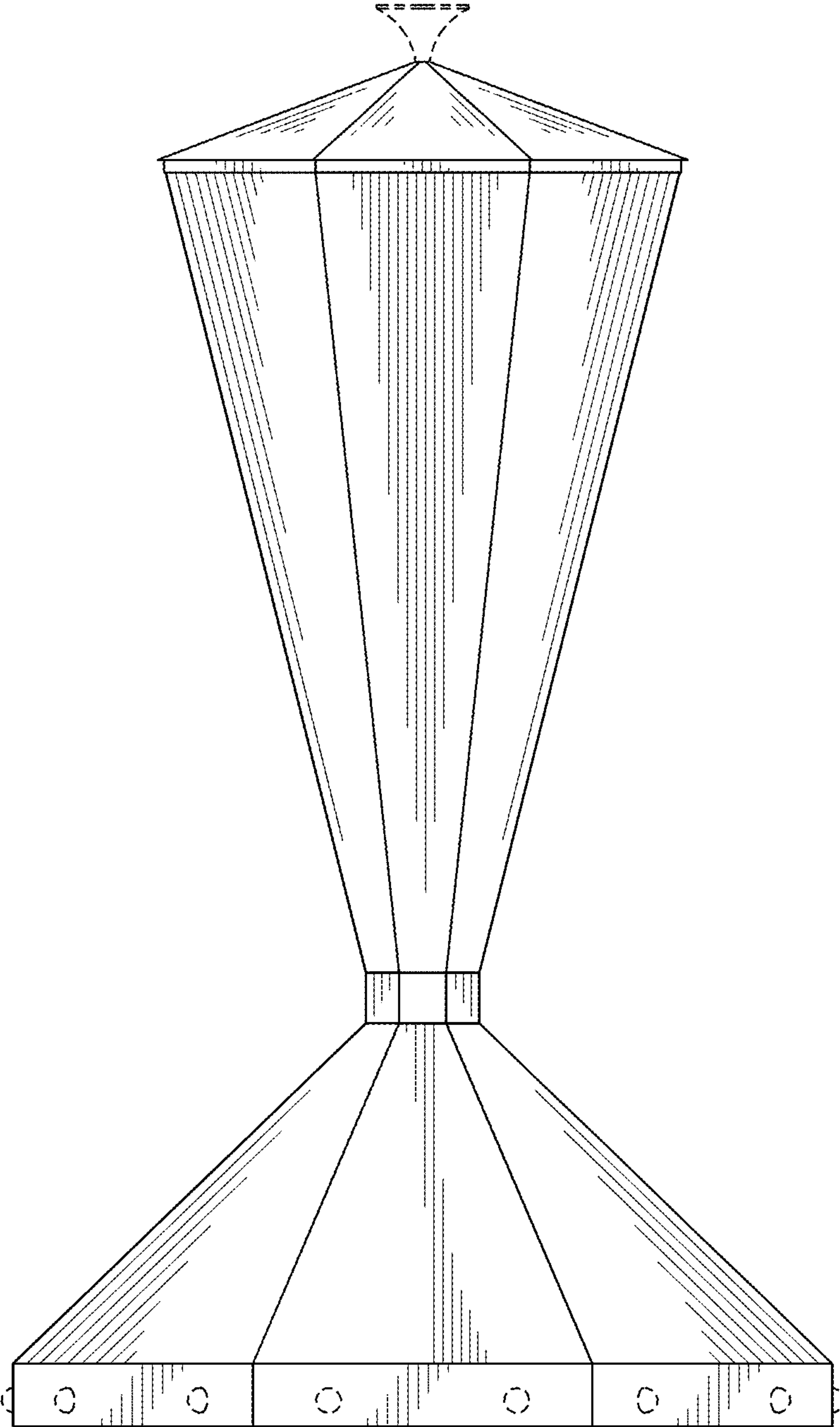


FIG. 5

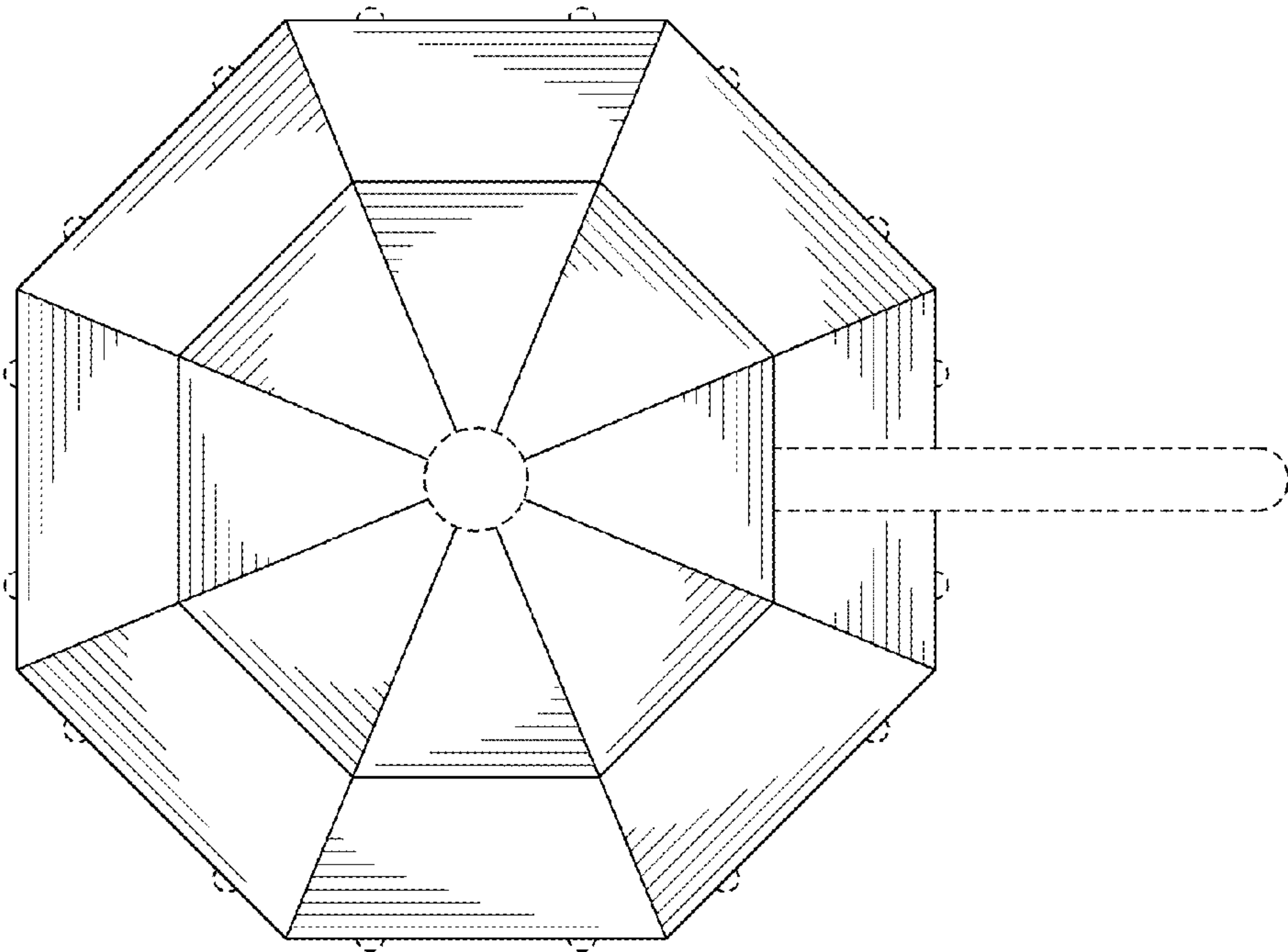


FIG. 6

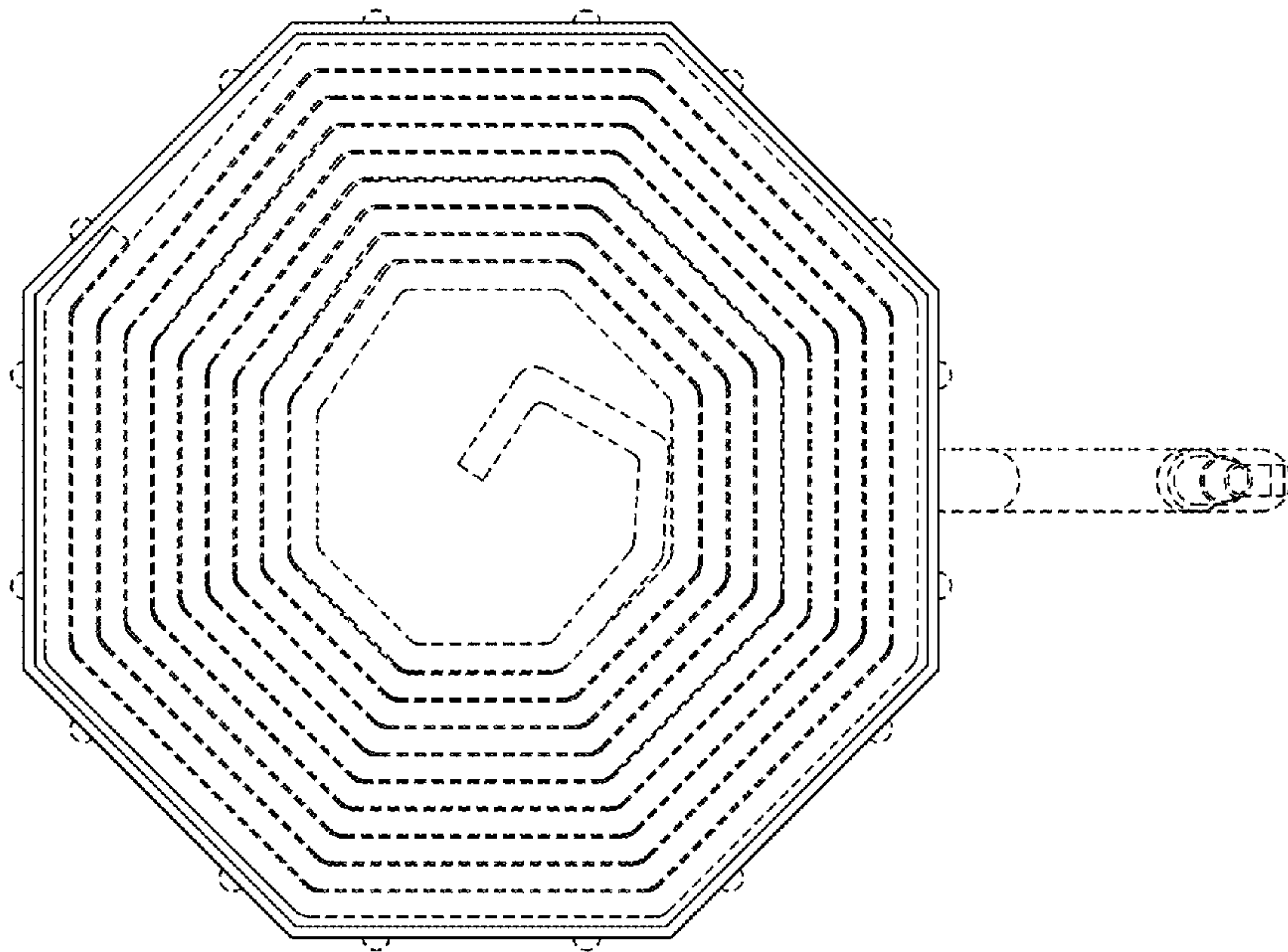


FIG. 7