



US00D690547S

(12) **United States Design Patent**  
**Smith et al.**

(10) **Patent No.:** **US D690,547 S**  
(45) **Date of Patent:** **\*\* Oct. 1, 2013**

(54) **CHAIR**

(71) Applicant: **Steelcase Inc.**, Grand Rapids, MI (US)

(72) Inventors: **Bruce M. Smith**, East Grand Rapids, MI (US); **Glen Oliver Low**, Hamburg (DE); **James N. Ludwig**, East Grand Rapids, MI (US); **Robert J. Battey**, Middleville, MI (US); **Gordon Jay Peterson**, Rockford, MI (US)

(73) Assignee: **Steelcase Inc.**, Grand Rapids, MI (US)

(\*\*) Term: **14 Years**

(21) Appl. No.: **29/445,960**

(22) Filed: **Feb. 19, 2013**

**Related U.S. Application Data**

(63) Continuation of application No. 29/432,781, filed on Sep. 20, 2012.

(51) **LOC (9) Cl.** ..... **06-01**

(52) **U.S. Cl.**  
USPC ..... **D6/716.4**

(58) **Field of Classification Search**  
USPC ..... D6/334-336, 364, 365, 366, 367, D6/374, 376, 379, 380, 716, 716.1, 716.2, D6/716.3, 716.4; 297/394, 396, 404, 284.4, 297/298, 411.27, 452.21, 452.29, 452.3, 297/452.32, 452.34, 452.48, 452.56  
See application file for complete search history.

(56) **References Cited**

**U.S. PATENT DOCUMENTS**

344,248 A 6/1886 Cawley  
1,763,294 A 7/1928 Emmert  
3,226,159 A 12/1965 Binding et al.  
3,254,918 A 6/1966 Barker

3,794,382 A 2/1974 Bloomfield et al.  
3,865,450 A 2/1975 Bruenig  
3,885,831 A 5/1975 Rasmussen  
4,190,289 A 2/1980 Brunig et al.  
4,682,817 A 7/1987 Freber  
4,711,491 A 12/1987 Ginat  
4,844,544 A 7/1989 Ochiai  
4,861,107 A 8/1989 Vidwans et al.  
5,439,267 A 8/1995 Peterson et al.

(Continued)

**FOREIGN PATENT DOCUMENTS**

EP 1836935 9/2007  
EP 2068677 6/2009

(Continued)

**OTHER PUBLICATIONS**

Haworth X99 Chair Brochure.

(Continued)

*Primary Examiner* — Mimoso De

(74) *Attorney, Agent, or Firm* — Price Heneveld LLP

(57) **CLAIM**

We claim the ornamental design for the chair, as shown and described.

**DESCRIPTION**

FIG. 1 is a perspective view of a chair embodying the present invention;

FIG. 2 is a front view of the chair;

FIG. 3 is a first side view of the chair;

FIG. 4 is a second side view of the chair;

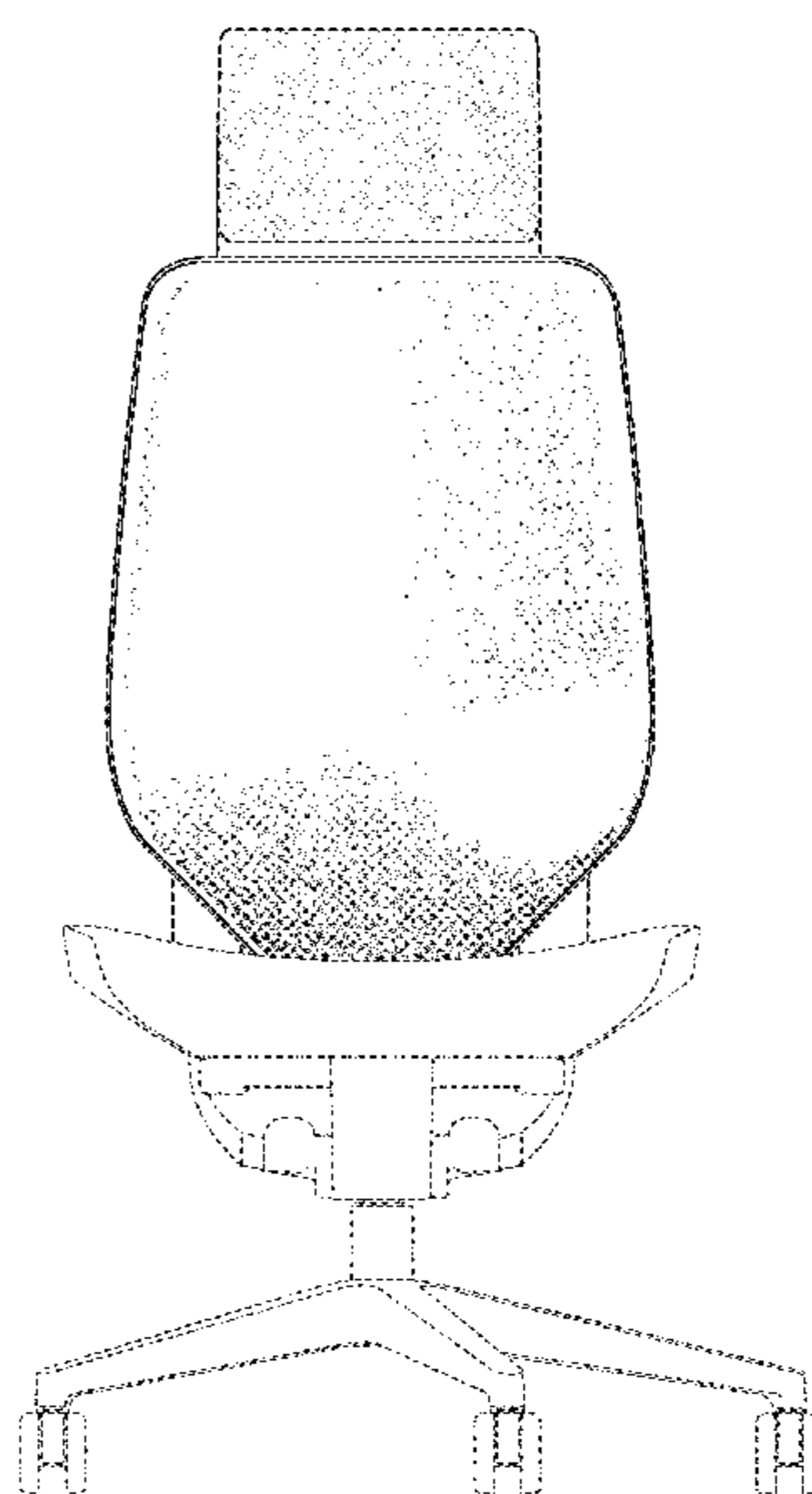
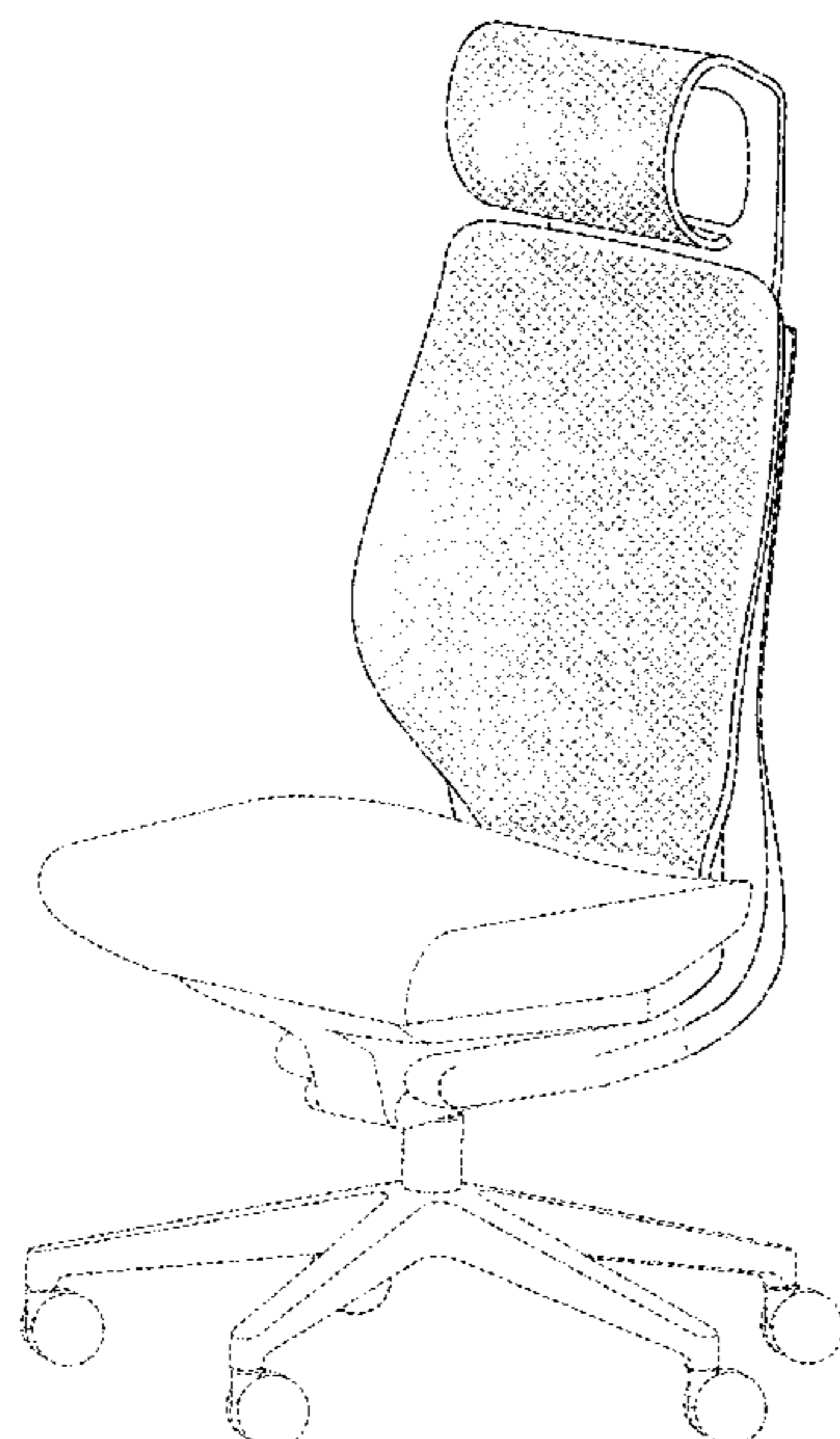
FIG. 5 is a rear view of the chair;

FIG. 6 is a top view of the chair; and,

FIG. 7 is a bottom view of the chair.

The broken lines shown in the drawing are for illustrative purposes only and form no part of the claimed design.

**1 Claim, 7 Drawing Sheets**



(56)

References Cited

U.S. PATENT DOCUMENTS

5,599,067	A	2/1997	Schuelke et al.	D507,423	S	7/2005	Beaulieu et al.
5,622,405	A	4/1997	Pitencel	6,913,315	B2	7/2005	Ball et al.
5,718,478	A	2/1998	Allison	D507,910	S	8/2005	Bock
5,725,276	A	3/1998	Ginat	6,942,300	B2	9/2005	Numa et al.
5,772,282	A	6/1998	Stumpf et al.	6,945,601	B1	9/2005	Wu
5,871,258	A	2/1999	Batthey et al.	6,948,775	B2	9/2005	Tsai
5,934,758	A	8/1999	Ritch et al.	6,955,402	B2	10/2005	Vanderiet et al.
5,975,634	A	11/1999	Knoblock et al.	6,966,604	B2	11/2005	Stumpf et al.
6,000,759	A	12/1999	Pedronno et al.	D512,232	S	12/2005	Wu
6,035,901	A	3/2000	Stumpf et al.	6,983,997	B2	1/2006	Wilkerson et al.
6,039,397	A	3/2000	Ginat	D514,832	S	2/2006	Tsai
D423,261	S	4/2000	Ritch et al.	D517,820	S	3/2006	Citterio ..... D6/366
6,053,578	A	4/2000	Van Hekken et al.	7,014,269	B2	3/2006	Coffield et al.
6,059,366	A	5/2000	Hu	7,025,424	B2	4/2006	Harley
6,059,368	A	5/2000	Stumpf et al.	D521,755	S	5/2006	Kinoshita et al.
6,076,892	A	6/2000	Van Hekken et al.	D523,252	S	6/2006	Rodriguez Leitao ..... D6/366
6,079,776	A	6/2000	Breitner et al.	7,059,681	B2	6/2006	Kubo
6,079,785	A	6/2000	Peterson et al.	7,066,537	B2	6/2006	Coffield et al.
6,086,156	A	7/2000	Breen et al.	7,066,546	B2	6/2006	Trego et al.
6,113,192	A	9/2000	Schneider	7,097,247	B2	8/2006	Batthey et al.
6,125,521	A	10/2000	Stumpf et al.	D528,810	S	9/2006	Giugiaro ..... D6/366
D436,456	S	1/2001	Neil	7,131,700	B2	11/2006	Knoblock et al.
6,178,595	B1	1/2001	Marinoni	D535,505	S	1/2007	Cai
6,199,947	B1	3/2001	Wiklund	7,159,947	B1	1/2007	Lee
6,220,661	B1	4/2001	Peterson	D541,062	S	4/2007	Su
D446,033	S	8/2001	Koepke et al.	7,201,449	B2	4/2007	Tsai
D451,294	S	12/2001	Simons et al. .... D6/366	D543,040	S	5/2007	Hara
D451,723	S	12/2001	Grove	D543,042	S	5/2007	Hara ..... D6/366
6,364,415	B1	4/2002	Mori et al.	7,213,880	B2	5/2007	Schmitz et al.
6,382,719	B1	5/2002	Heidmann et al.	7,213,886	B2	5/2007	Schmitz et al.
6,386,634	B1	5/2002	Stumpf et al.	7,216,936	B2	5/2007	Peterson
6,394,546	B1	5/2002	Knoblock et al.	D543,717	S	6/2007	Chen
6,394,548	B1	5/2002	Batthey et al.	D544,722	S	6/2007	Scheper et al.
6,394,549	B1	5/2002	DeKraker et al.	D545,582	S	7/2007	Wu
6,412,872	B2	7/2002	Takeda et al.	7,249,802	B2	7/2007	Schmitz et al.
6,419,318	B1	7/2002	Albright et al.	D548,474	S	8/2007	Fancelli
6,419,322	B2	7/2002	Nakane et al.	D548,994	S	8/2007	Mao
6,460,932	B1	10/2002	Koish et al.	D549,473	S	8/2007	Wagner
6,471,294	B1	10/2002	Dammermann et al.	D549,474	S	8/2007	Wagner
6,499,801	B1	12/2002	Peterson et al.	D549,976	S	9/2007	Lin
6,502,904	B1	1/2003	Hansen	D550,976	S	9/2007	Bellini et al. .... D6/366
6,508,509	B2	1/2003	Peterson	7,270,378	B2	9/2007	Wilkerson et al.
6,572,190	B2	6/2003	Koepke et al.	7,273,253	B2	9/2007	Deimen et al.
6,588,842	B2	7/2003	Stumpf et al.	D552,857	S	10/2007	Wang
6,609,755	B2	8/2003	Koepke et al.	7,281,764	B2	10/2007	Thole
6,616,228	B2	9/2003	Heidmann	D554,877	S	11/2007	Tsai
6,619,746	B2	9/2003	Roslund, Jr. et al.	D557,024	S	12/2007	Chen
D482,205	S	11/2003	Englisch et al.	D557,027	S	12/2007	Hara
6,644,749	B2	11/2003	Vanderiet et al.	D557,914	S	12/2007	Ong
6,669,292	B2	12/2003	Koepke et al.	D557,950	S	12/2007	Lu
D486,656	S	2/2004	Su	7,303,232	B1	12/2007	Chen
6,688,690	B2	2/2004	Watson et al.	D558,492	S	1/2008	Lu
D487,359	S	3/2004	Giugiaro	7,334,845	B2	2/2008	Peterson et al.
6,702,390	B2	3/2004	Stumpf et al.	7,338,130	B2	3/2008	Daume
6,709,060	B1	3/2004	Su	7,360,835	B2	4/2008	Tubergen et al.
6,722,741	B2	4/2004	Stumpf et al.	7,360,839	B1	4/2008	Chen
6,726,278	B1	4/2004	Albright et al.	7,367,622	B2	5/2008	Roslund et al.
6,726,286	B2	4/2004	Sayers et al.	D571,569	S	6/2008	Fancelli
6,729,691	B2	5/2004	Koepke et al.	D572,493	S	7/2008	Zhang
6,733,080	B2	5/2004	Stumpf et al.	D573,361	S	7/2008	Kung
D490,994	S	6/2004	Schmitz et al.	7,410,218	B2	8/2008	Kotani et al.
6,758,523	B2	7/2004	Vanderiet et al.	D576,809	S	9/2008	Christianson et al.
D493,626	S	8/2004	James	D576,813	S	9/2008	Baldanzi et al. .... D6/366
D493,627	S	8/2004	Ma	D576,814	S	9/2008	Baldanzi et al.
6,779,839	B2	8/2004	Andreasson et al.	7,419,222	B2	9/2008	Schmitz et al.
6,789,846	B2	9/2004	Humer et al.	7,425,037	B2	9/2008	Schmitz et al.
D496,812	S	10/2004	Chu	7,425,039	B2	9/2008	Lin
D497,264	S	10/2004	Aubriet et al.	7,427,105	B2	9/2008	Knoblock et al.
6,824,212	B2	11/2004	Malsch et al.	7,434,879	B2	10/2008	Ueda et al.
D499,564	S	12/2004	Meda	7,494,188	B1	2/2009	Lin
6,837,546	B2	1/2005	Vanderiet et al.	7,500,718	B2	3/2009	Fookes
6,857,704	B2	2/2005	Stenzel et al.	7,517,009	B2	4/2009	Mauro et al.
6,874,852	B2	4/2005	Footitt	7,527,335	B2	5/2009	Eberlein et al.
6,880,215	B2	4/2005	Peterson	7,533,939	B2	5/2009	Fookes et al.
D507,124	S	7/2005	Yang	D593,345	S	6/2009	Schweikarth et al.
				7,549,704	B1	6/2009	Chou et al.
				D597,329	S	8/2009	Tanaka et al. .... D6/366
				7,594,700	B2	9/2009	Stumpf et al.
				D601,830	S	10/2009	Egger

# US D690,547 S

Page 3

7,604,298 B2	10/2009	Peterson et al.	2002/0003368 A1	1/2002	Vanderiet et al.
7,625,045 B2	12/2009	Hatcher et al.	2002/0074843 A1	6/2002	Malschet et al.
D610,822 S	3/2010	Chen	2003/0030317 A1	2/2003	Chen
D613,087 S *	4/2010	Fujita ..... D6/366	2003/0047980 A1	3/2003	Vassallo
7,744,159 B2	6/2010	Lee	2004/0000805 A1	1/2004	Vanderiet et al.
7,798,573 B2	9/2010	Pennington et al.	2004/0155503 A1	8/2004	Stumpf et al.
7,806,481 B2	10/2010	Eberlein	2005/0052061 A1	3/2005	Deimen et al.
7,815,259 B2	10/2010	Fookes et al.	2005/0062323 A1	3/2005	Dicks
7,828,389 B2	11/2010	Oda	2005/0127735 A1	6/2005	Munsch
7,832,803 B2	11/2010	Cassaday	2008/0122284 A1 *	5/2008	Yang ..... 297/452.56
7,837,269 B2	11/2010	Bock	2009/0021069 A1	1/2009	Hentschel et al.
7,837,272 B2	11/2010	Masunaga et al.	2010/0007190 A1	1/2010	Johnson et al.
7,841,665 B2	11/2010	Geister et al.	2010/0237679 A1	9/2010	Tsukiji et al.
7,841,666 B2	11/2010	Schmitz et al.	2010/0244521 A1 *	9/2010	Ueda ..... 297/298
7,857,388 B2	12/2010	Bedford et al.	2010/0276978 A1	11/2010	Furuta et al.
7,887,131 B2	2/2011	Chadwick et al.	2011/0012395 A1	1/2011	Roslund et al.
7,887,135 B2	2/2011	Oda	2011/0198907 A1	8/2011	Masunaga et al.
D634,558 S	3/2011	Deisig	2011/0248543 A1	10/2011	Hitchcock et al.
7,922,248 B2	4/2011	Aldrich et al.			
D638,635 S	5/2011	Sander et al.			
7,980,631 B2	7/2011	Diffrient			
8,016,360 B2	9/2011	Machael et al.			
8,029,066 B2	10/2011	Su			
8,038,212 B2	10/2011	Vickers et al.			
D648,947 S *	11/2011	Ong ..... D6/366			
8,061,778 B2	11/2011	Machael et al.			
D650,617 S	12/2011	Chen			
D653,467 S	2/2012	Ballendat			
D654,709 S	2/2012	Fujita			
D654,711 S	2/2012	Fujita			
D655,523 S *	3/2012	Neil ..... D6/366			
D655,524 S	3/2012	Kim			
D657,166 S	4/2012	Behar et al.			
D657,594 S	4/2012	Knight et al.			

### FOREIGN PATENT DOCUMENTS

EP	2233043	9/2010
EP	2491821	8/2012
JP	11290154	10/1999
JP	2004155269	6/2004
KR	20130019549	2/2013
WO	2013051951	4/2013

### OTHER PUBLICATIONS

Werndl #1 Brochure.  
Steelcase Please Chair Brochure.

\* cited by examiner

FIG. 1

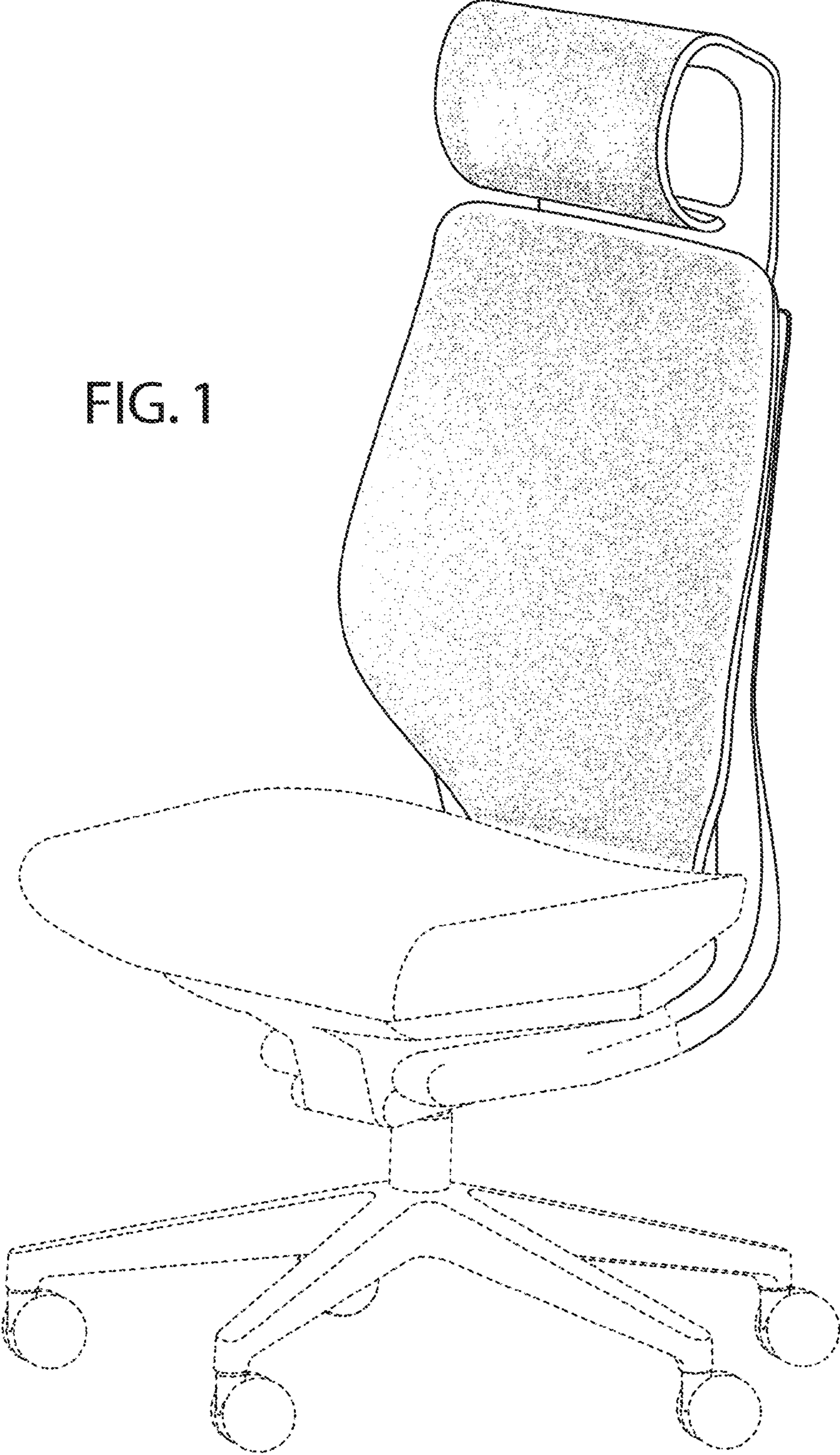
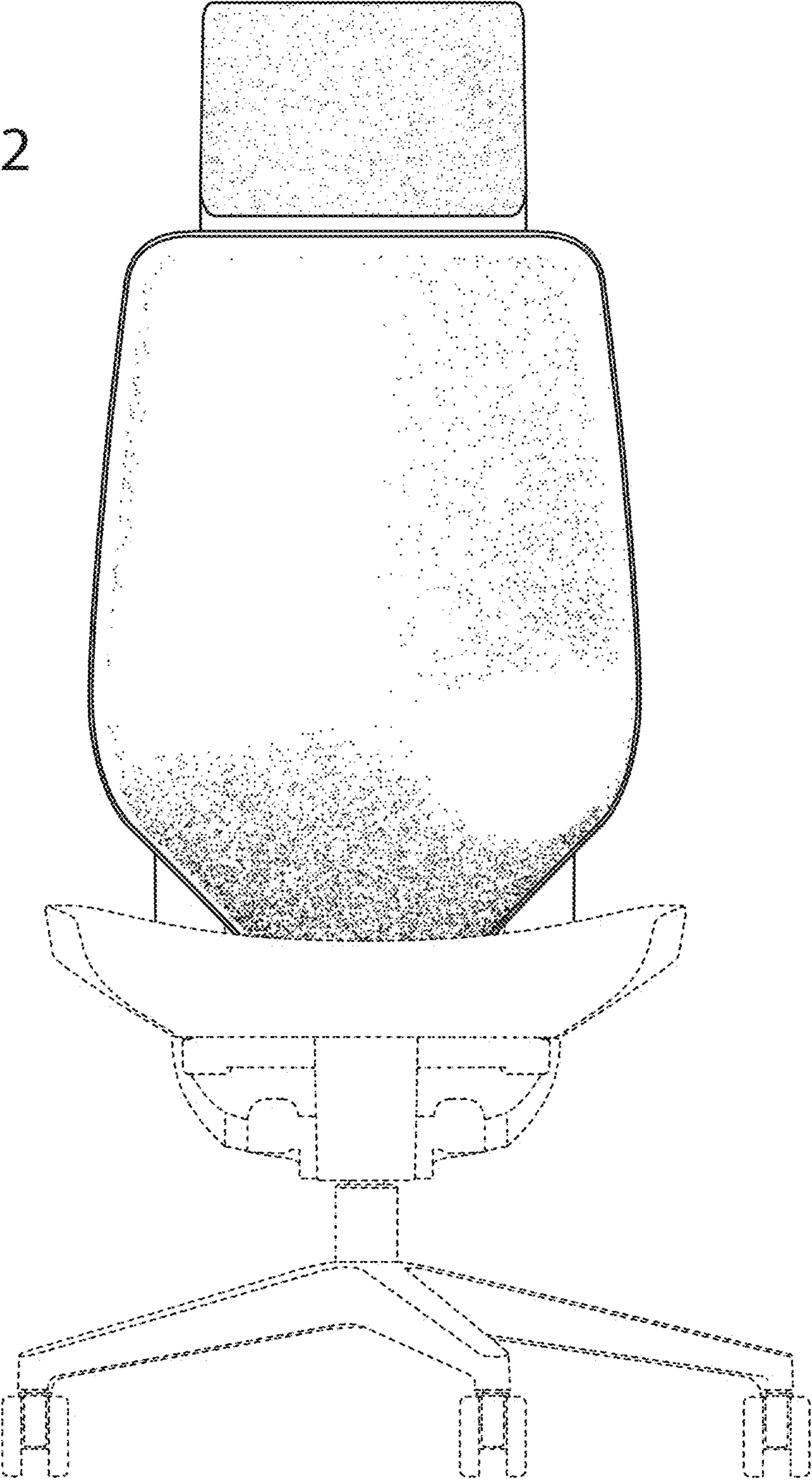


FIG. 2



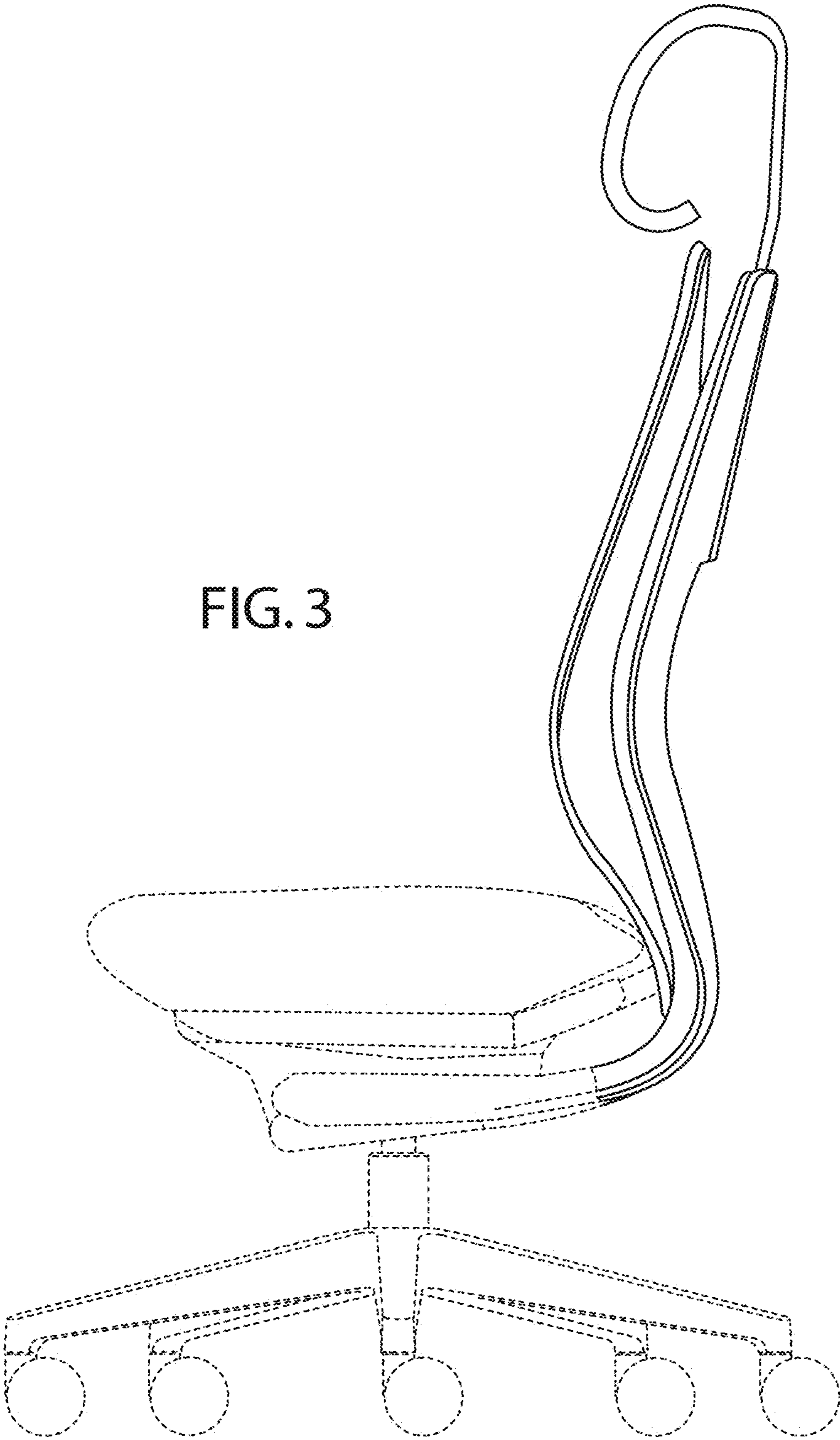


FIG. 3

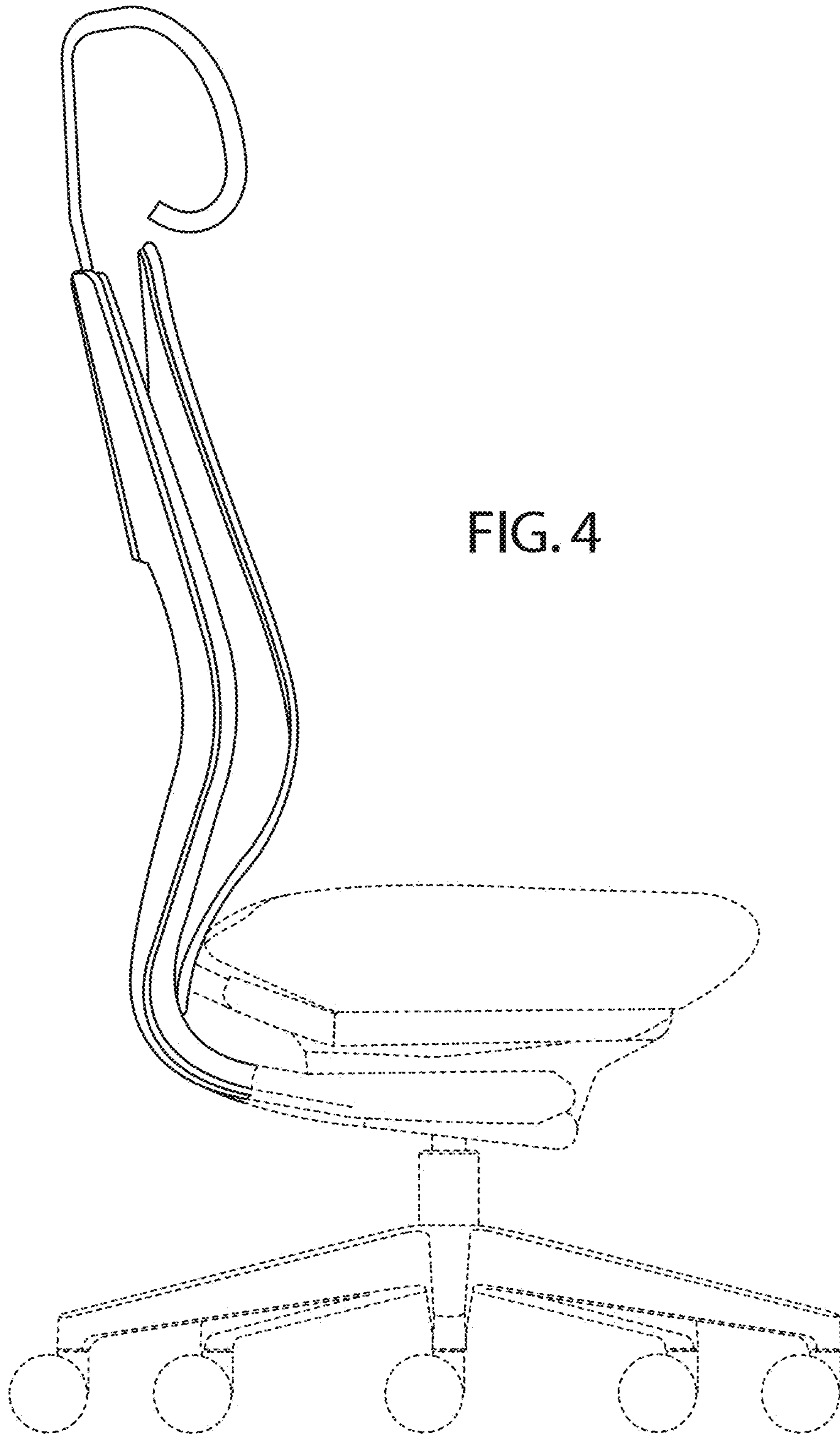


FIG. 4

FIG. 5

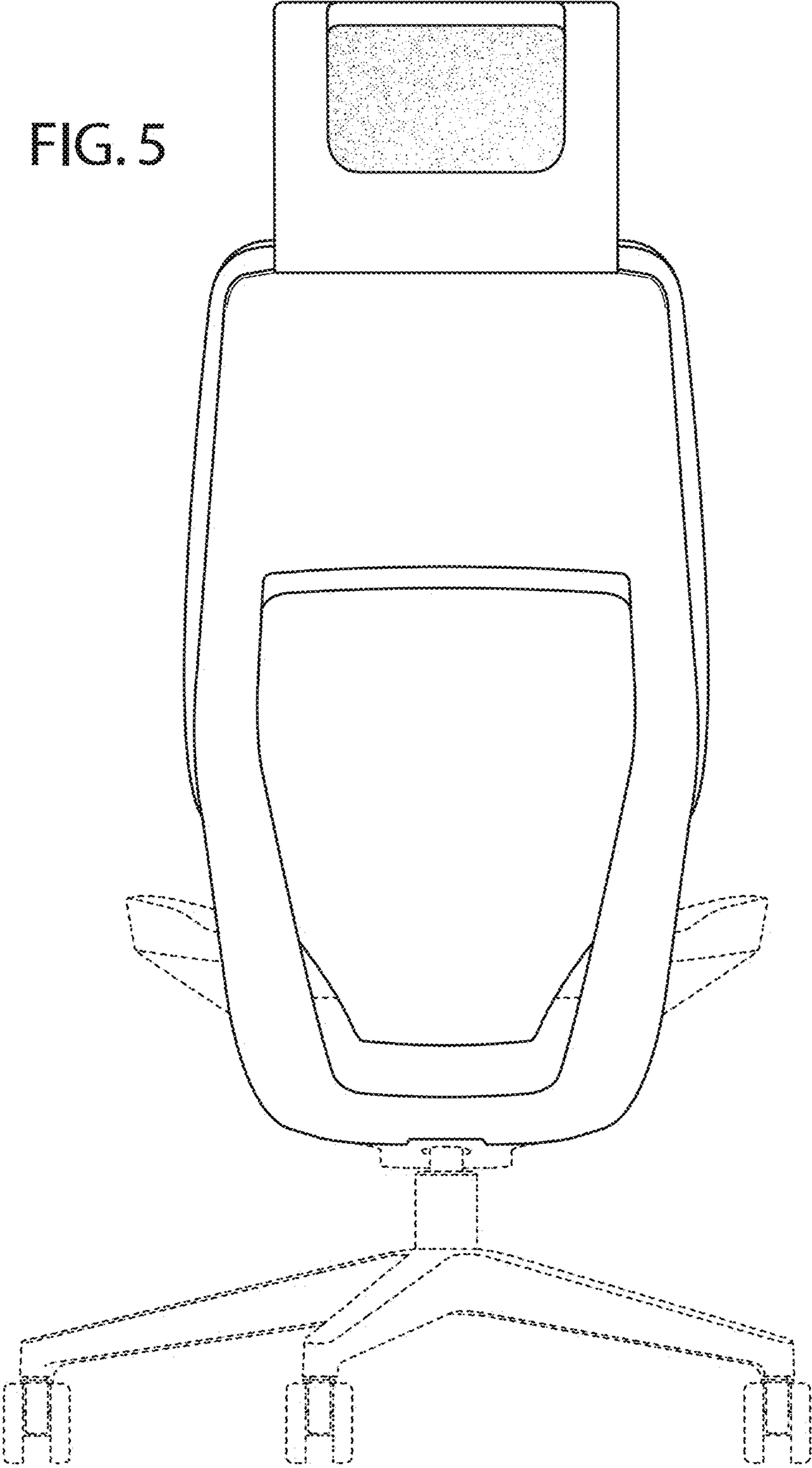




FIG. 6

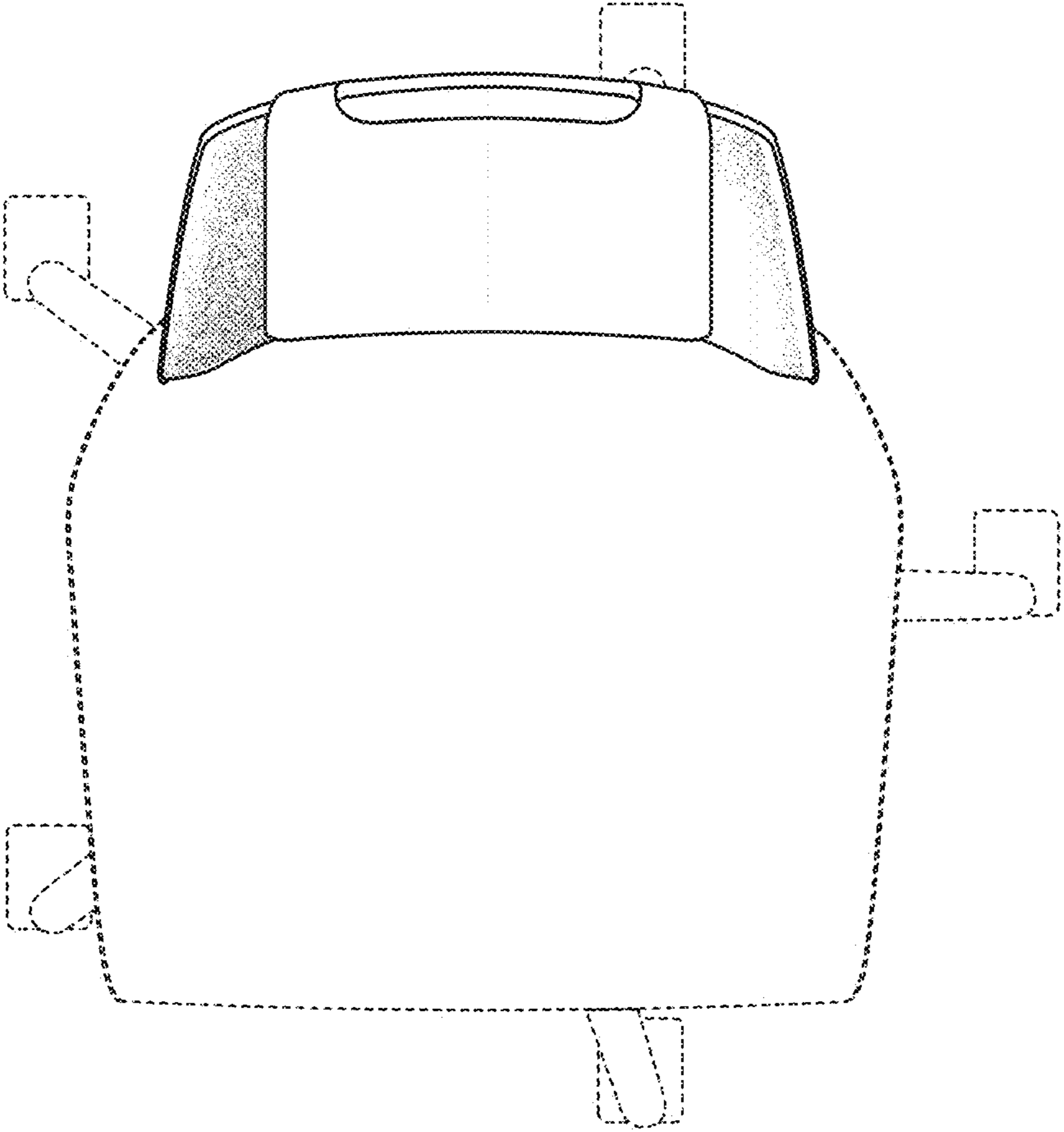


FIG. 7

