



US00D690546S

(12) **United States Design Patent**  
**Tharp et al.**

(10) **Patent No.:** **US D690,546 S**

(45) **Date of Patent:** **\*\* Oct. 1, 2013**

(54) **BENCH**

(75) Inventors: **Bruce Mitchell Tharp**, Chicago, IL (US); **Stephanie Munson Tharp**, Chicago, IL (US)

(73) Assignee: **Materious, LLC**, Chicago, IL (US)

(\*\*) Term: **14 Years**

(21) Appl. No.: **29/390,649**

(22) Filed: **Apr. 27, 2011**

(51) **LOC (9) Cl.** ..... **06-01**

(52) **U.S. Cl.**  
USPC ..... **D6/716.1**

(58) **Field of Classification Search**  
USPC ..... D6/335, 340, 349-355, 495, 500-502, D6/334, 381, 705, 716, 716.1; 297/16.1, 297/175, 187, 195.1, 423.1, 423.11, 423.14, 297/423.16, 461, 462

See application file for complete search history.

(56) **References Cited**

U.S. PATENT DOCUMENTS

383,906	A *	6/1888	Pike	297/461
3,376,069	A *	4/1968	Lowdermilk	297/423.41
3,719,185	A *	3/1973	Hanes	606/240
3,842,453	A *	10/1974	Redfield	5/643
4,232,477	A *	11/1980	Lin	446/71
D373,256	S *	9/1996	Lewis	D6/381
5,675,850	A *	10/1997	Schmitt	5/630
5,785,388	A *	7/1998	Curtis	297/482
5,824,013	A *	10/1998	Allen	606/240
D416,427	S *	11/1999	Pecora et al.	D6/601
D446,677	S *	8/2001	Hall et al.	D6/601
6,449,788	B1 *	9/2002	Nichols	5/636
6,708,353	B2 *	3/2004	Han	5/632
6,990,699	B2 *	1/2006	Hedges	5/652
D546,561	S *	7/2007	Vosloo et al.	D3/320
D553,308	S *	10/2007	Klein	D30/199

D648,948	S *	11/2011	Sempe	D6/375
D655,935	S *	3/2012	Sempe	D6/381
D655,936	S *	3/2012	Sempe	D6/381

\* cited by examiner

*Primary Examiner* — Sandra Snapp

(57) **CLAIM**

The ornamental design for a bench, as shown and described.

**DESCRIPTION**

FIG. 1 is a right perspective view of my new design for a bench;

FIG. 2 is a right perspective view thereof, showing possible context of use;

FIG. 3 is a front elevation view thereof; the back elevation view being a mirror image;

FIG. 4 is a top plan view thereof;

FIG. 5 is a bottom plan view thereof;

FIG. 6 is a right-side elevation view thereof; the left-side elevation view being a mirror image;

FIG. 7 is a right perspective view of a second embodiment of a bench;

FIG. 8 is a front elevation view thereof; the back elevation view being a mirror image;

FIG. 9 is a top plan view thereof;

FIG. 10 is a bottom plan view thereof;

FIG. 11 is a right-side elevation view thereof; the left-side elevation view being a mirror image;

FIG. 12 is a right perspective view of a third embodiment of a bench;

FIG. 13 is a front elevation view thereof; the back elevation view being a mirror image;

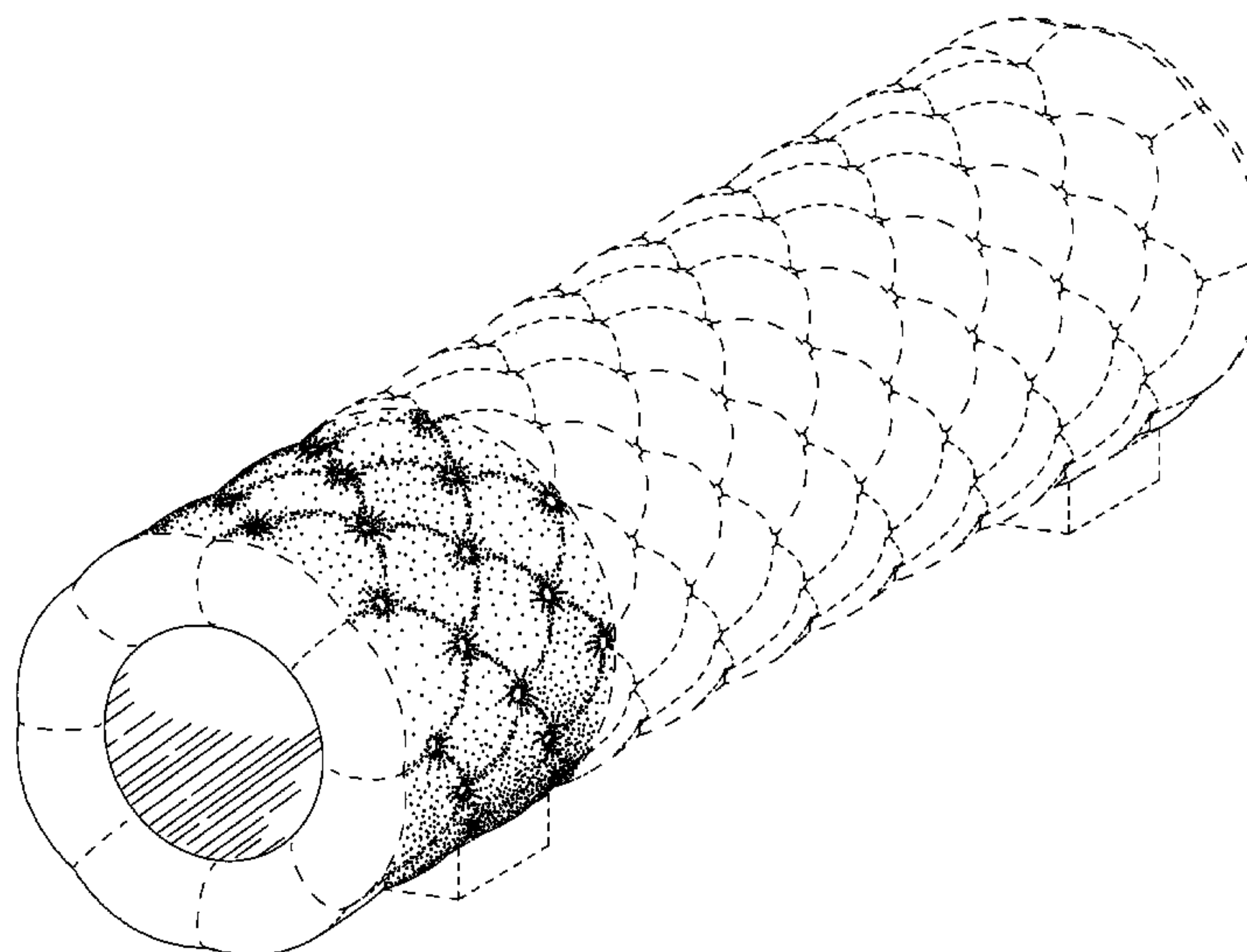
FIG. 14 is a top plan view thereof;

FIG. 15 is a bottom plan view thereof; and,

FIG. 16 is a right-side elevation view thereof; the left-side elevation view being a mirror image.

The broken lines in the drawings are included for the purpose of illustrating environmental subject matter and form no part of the claimed design. The portions of the bench not shown form no part of the claimed design.

**1 Claim, 13 Drawing Sheets**



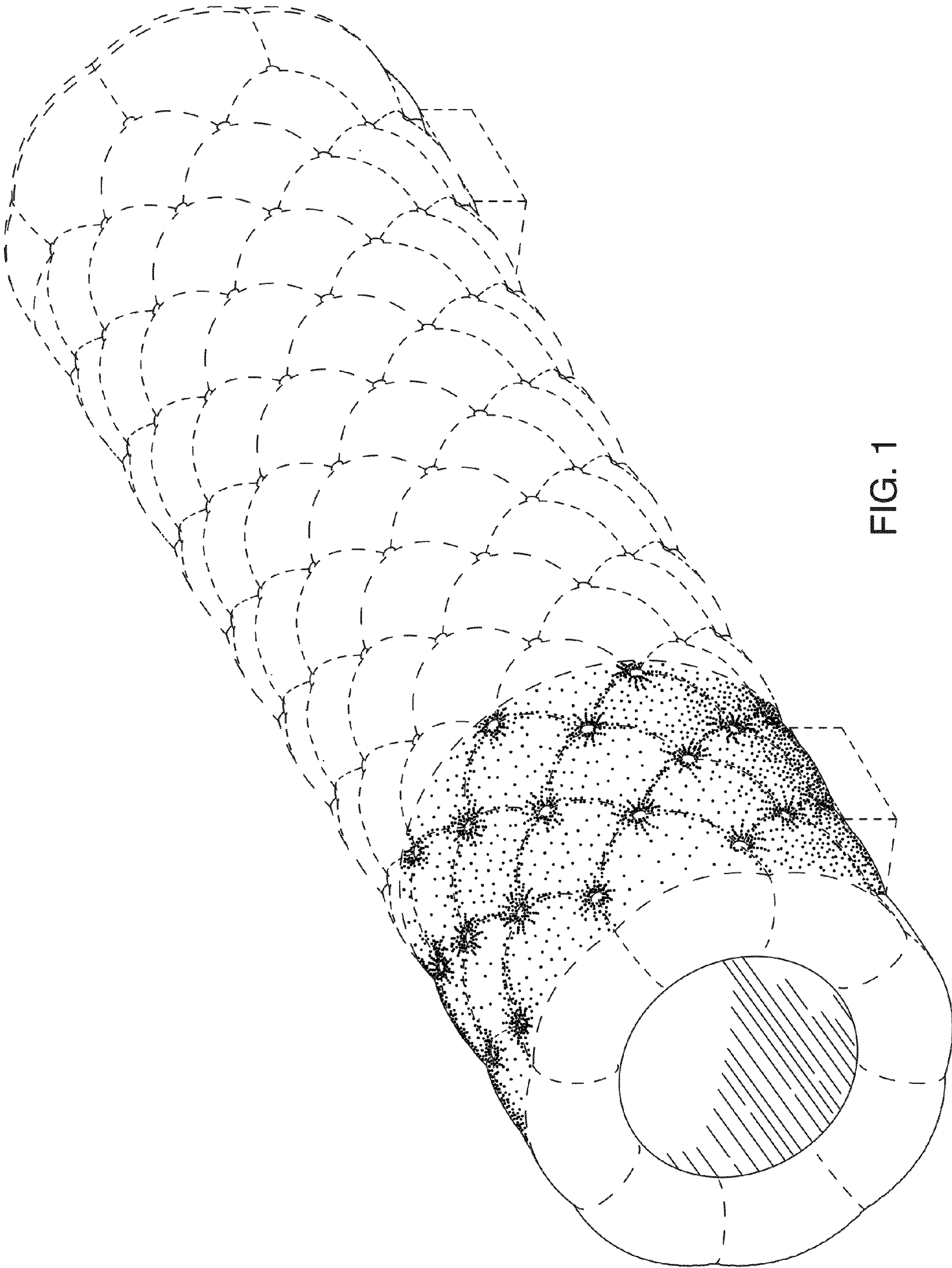


FIG. 1

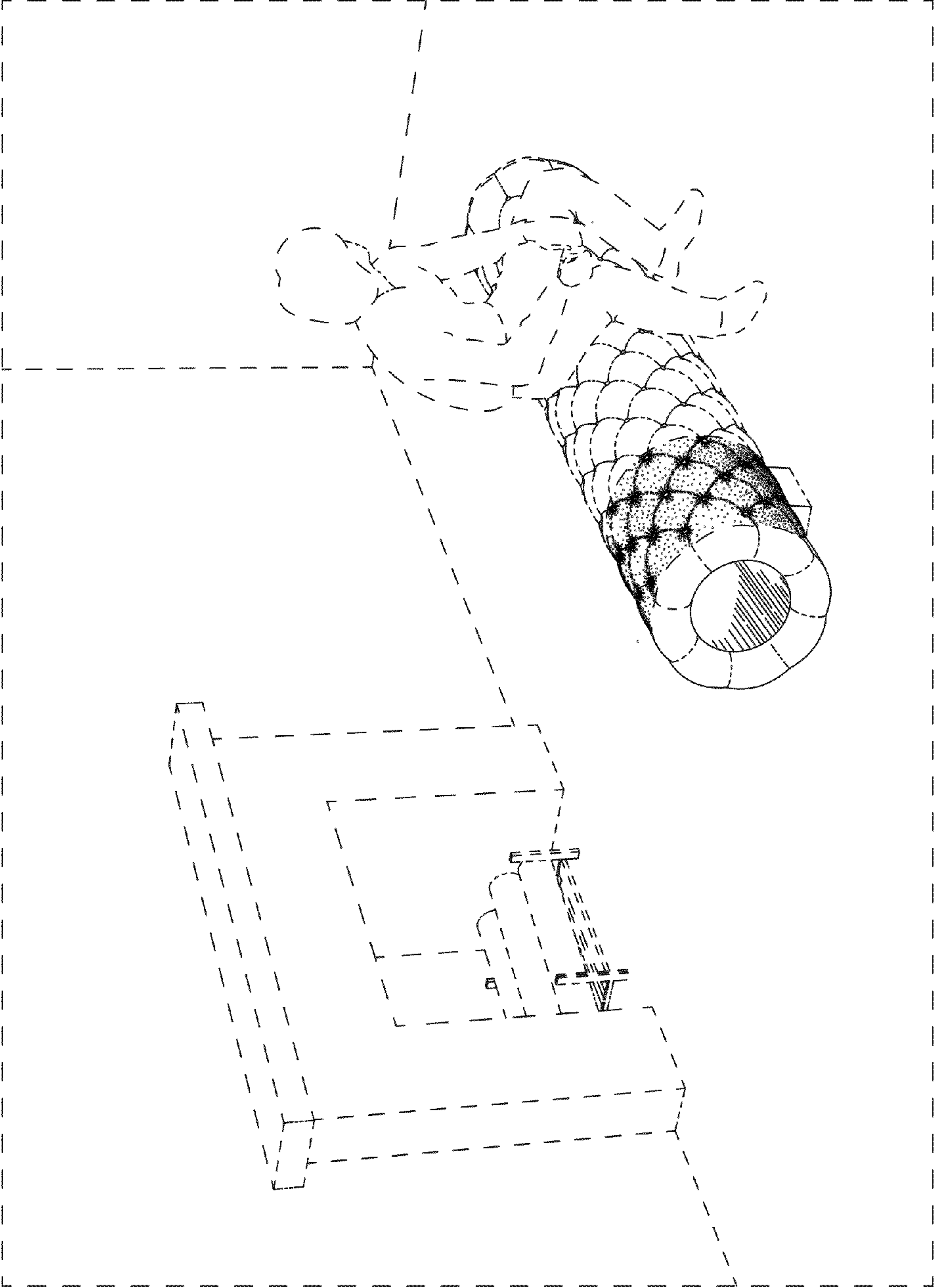


FIG. 2



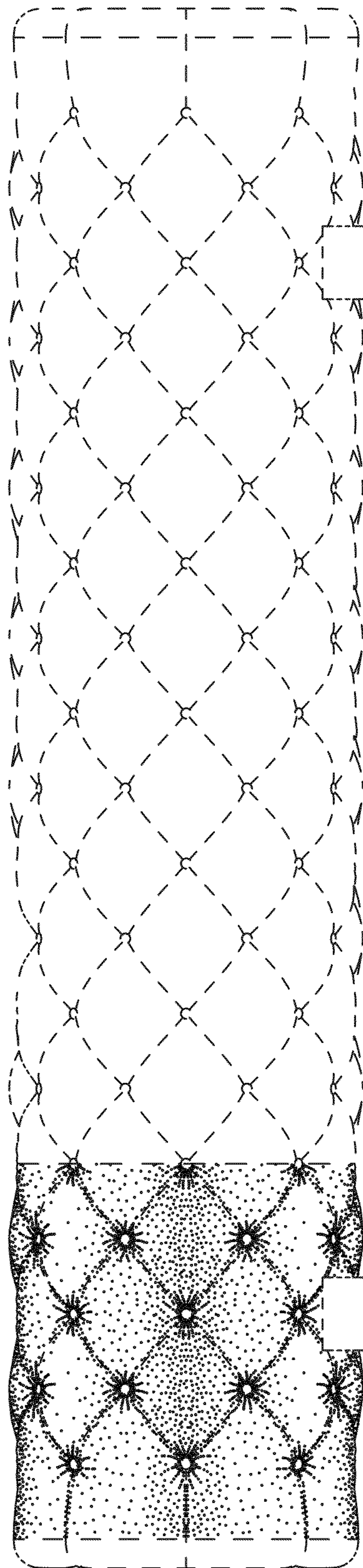


FIG. 3

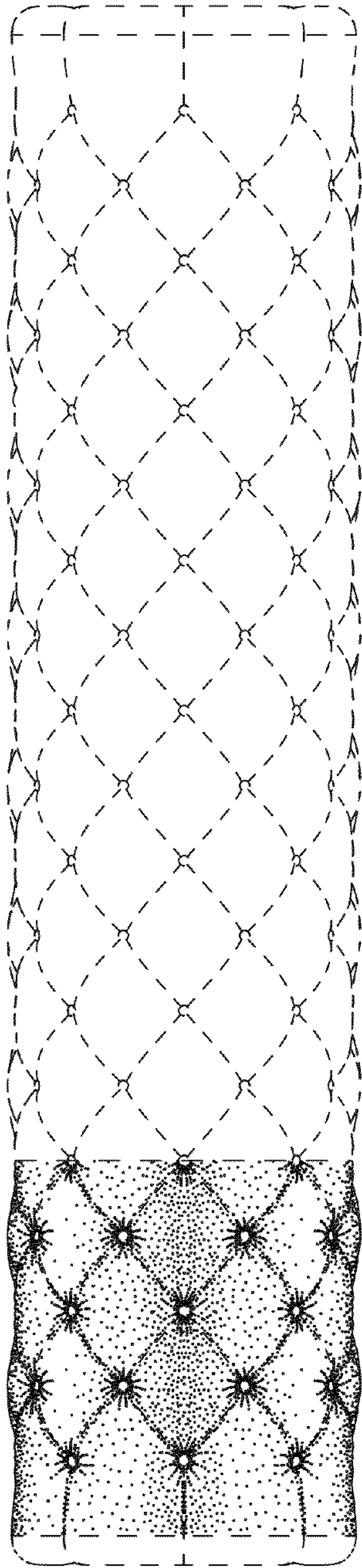


FIG. 4

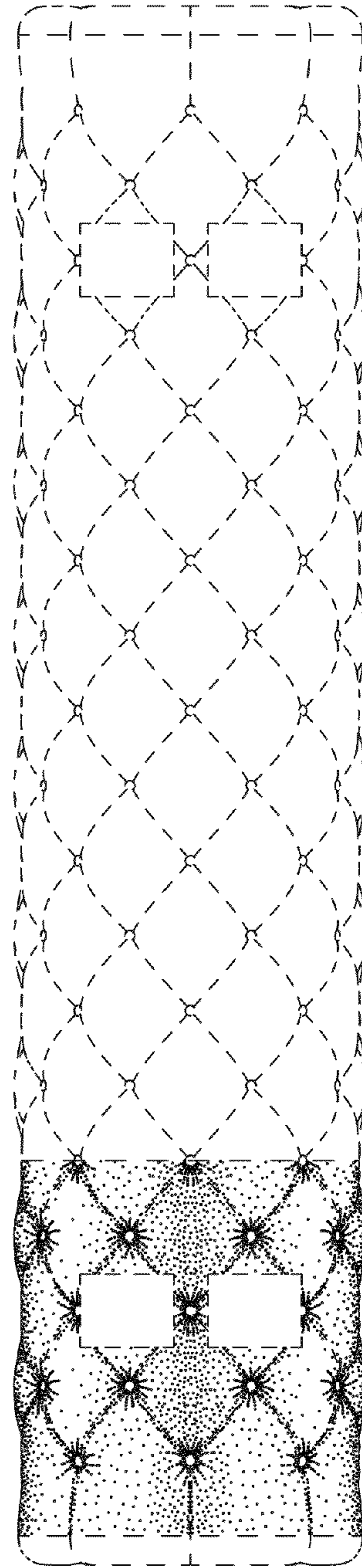


FIG. 5

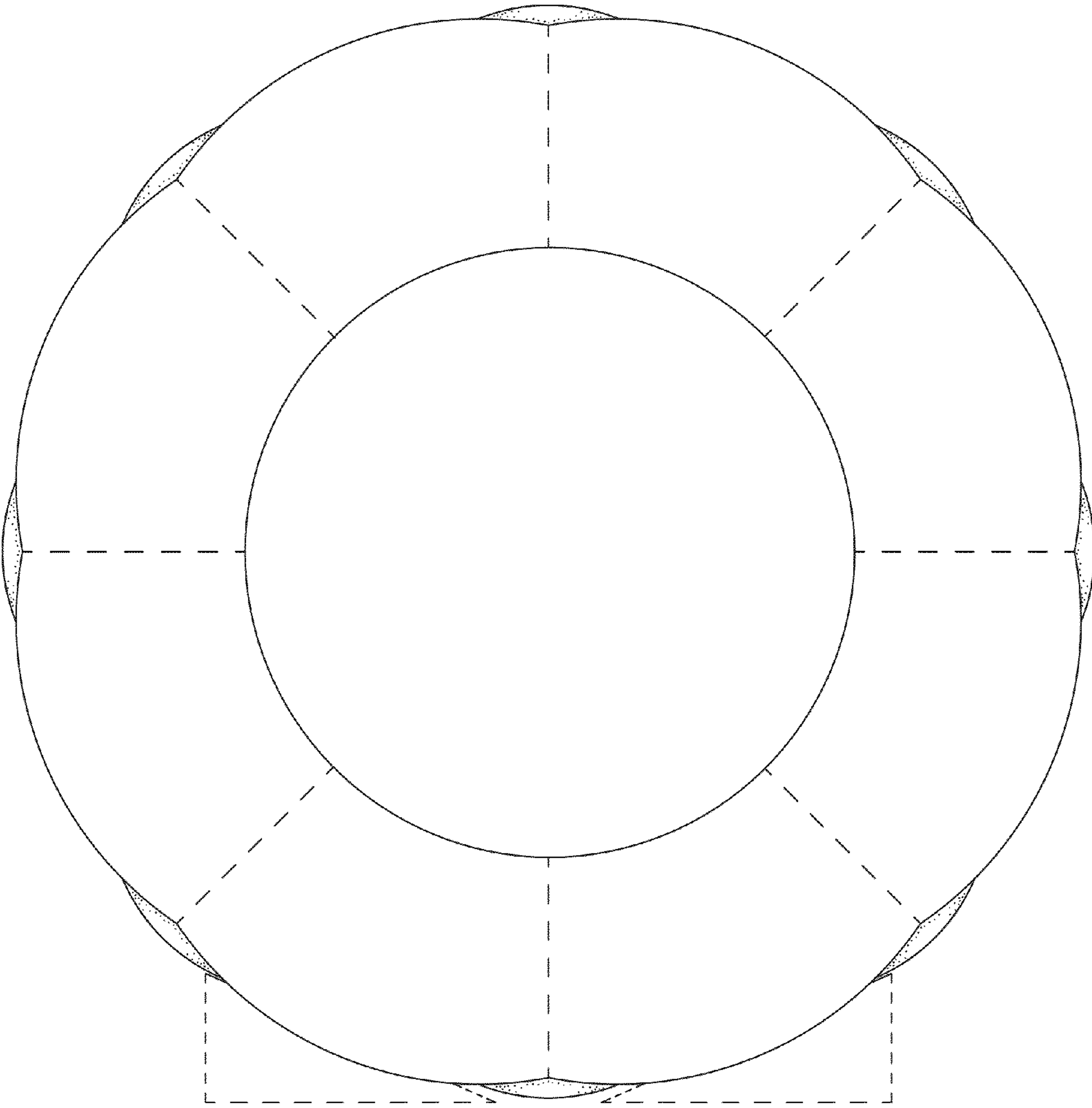


FIG. 6

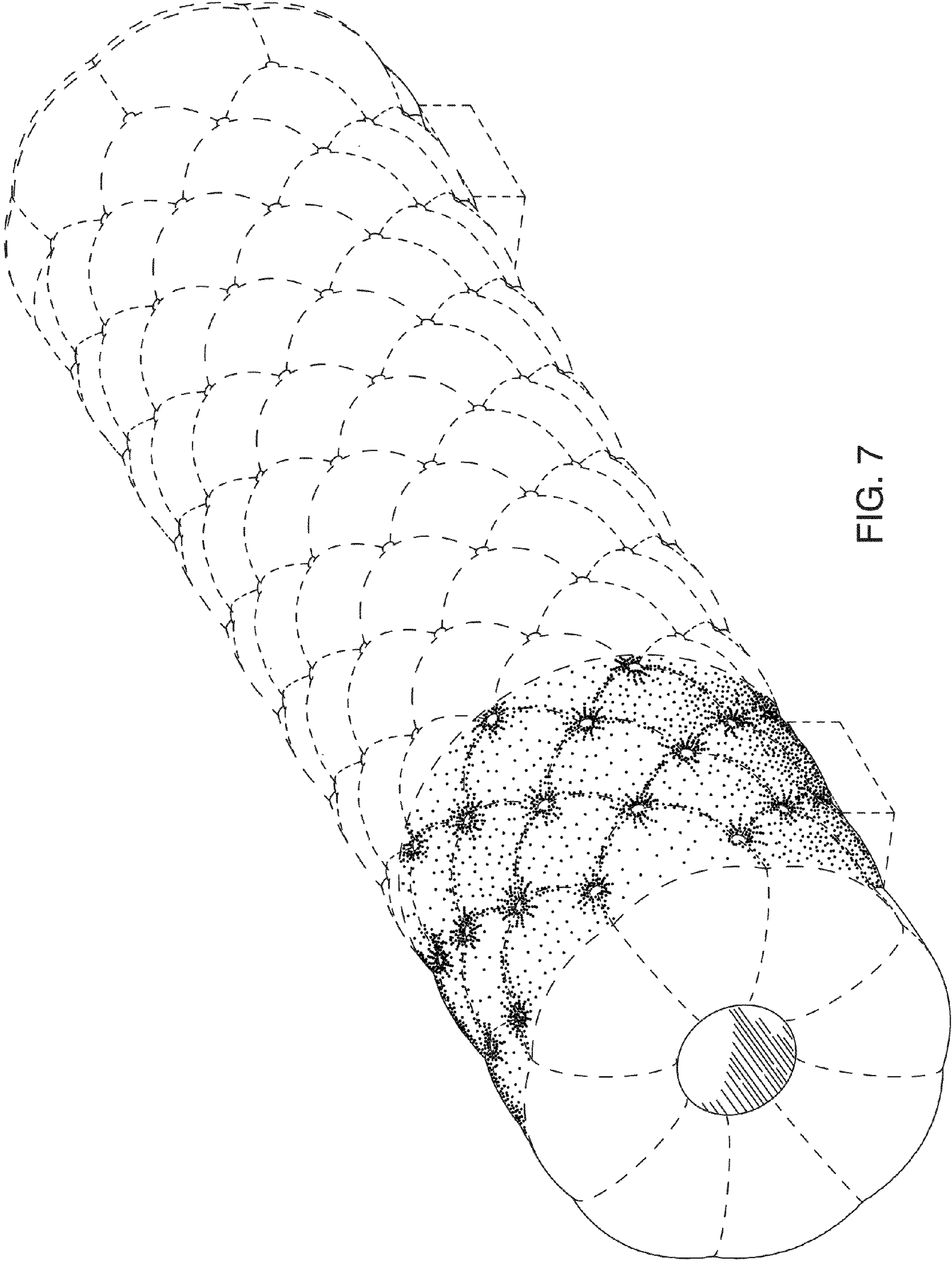


FIG. 7



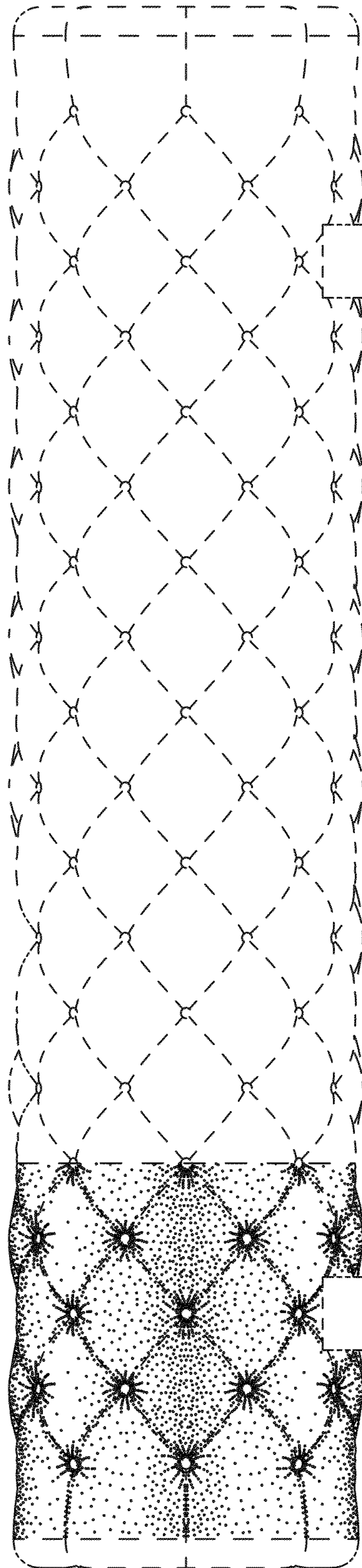


FIG.8



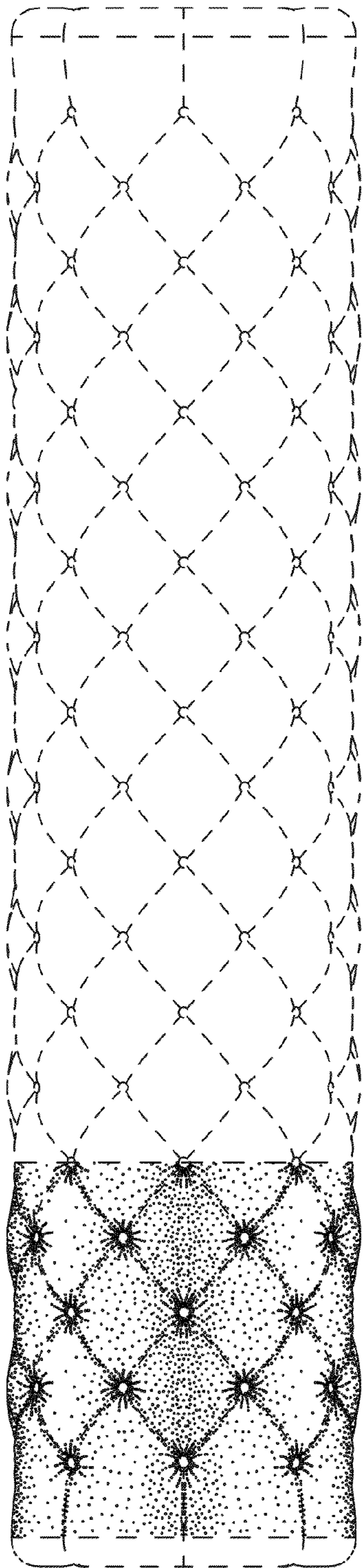


FIG. 9

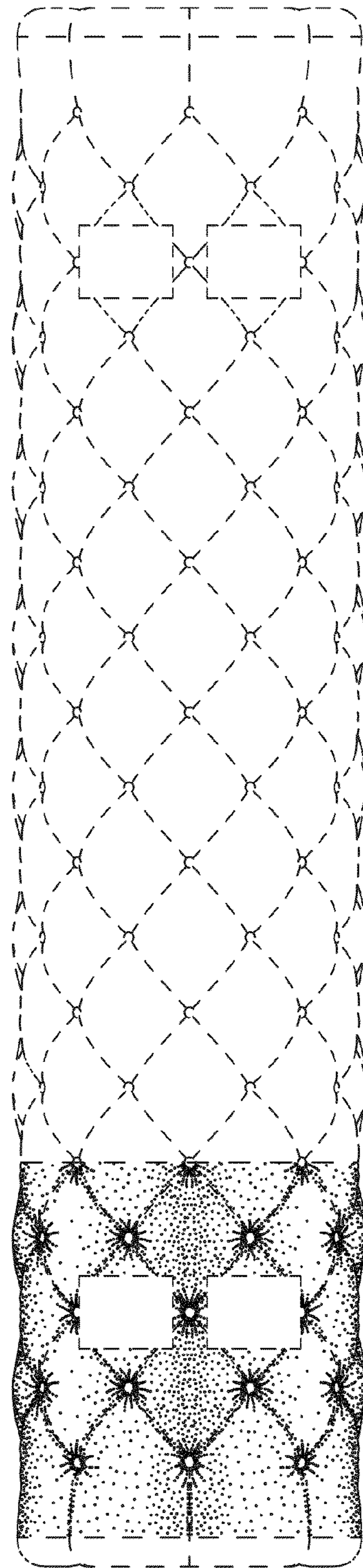


FIG. 10

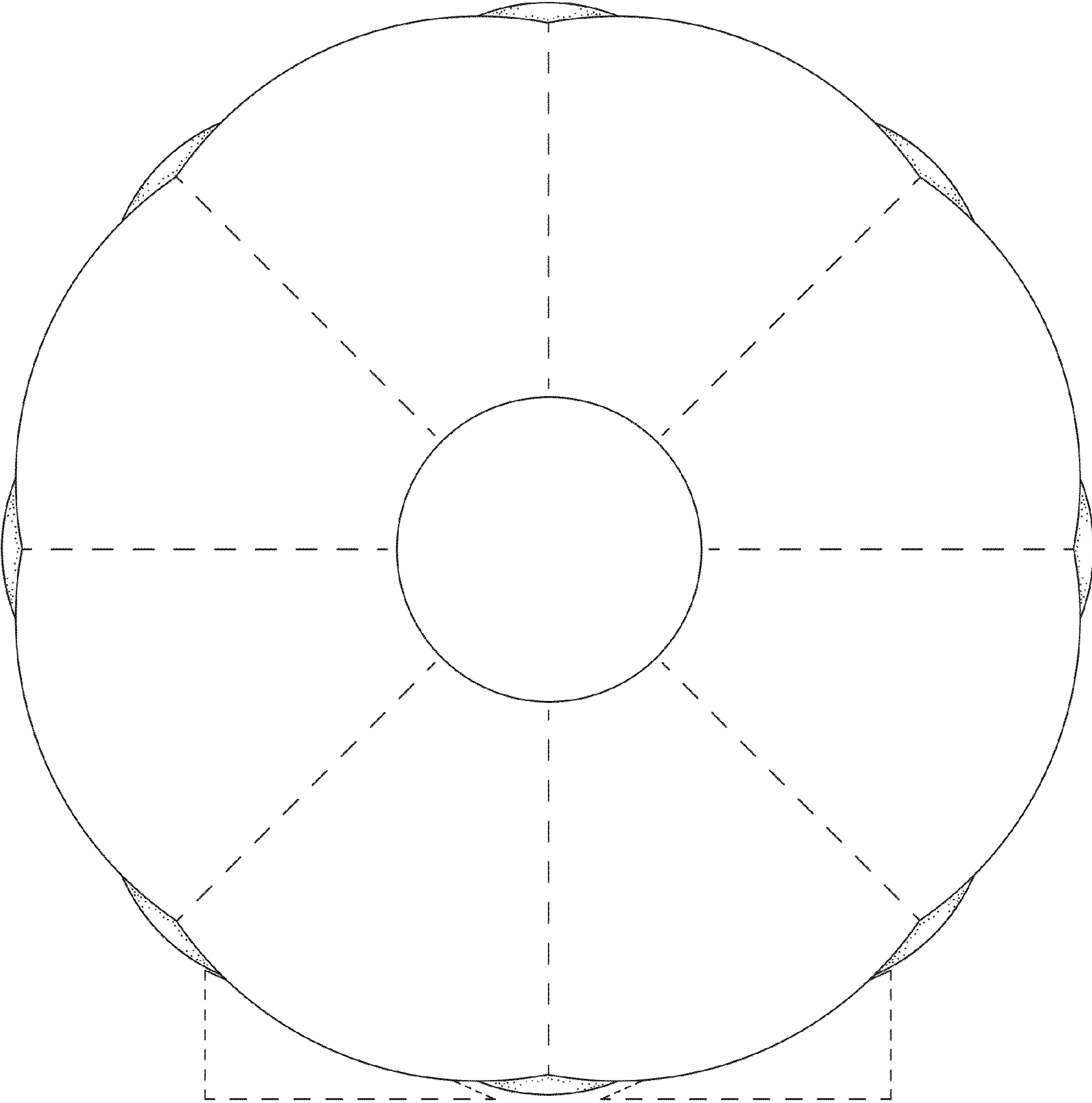


FIG. 11

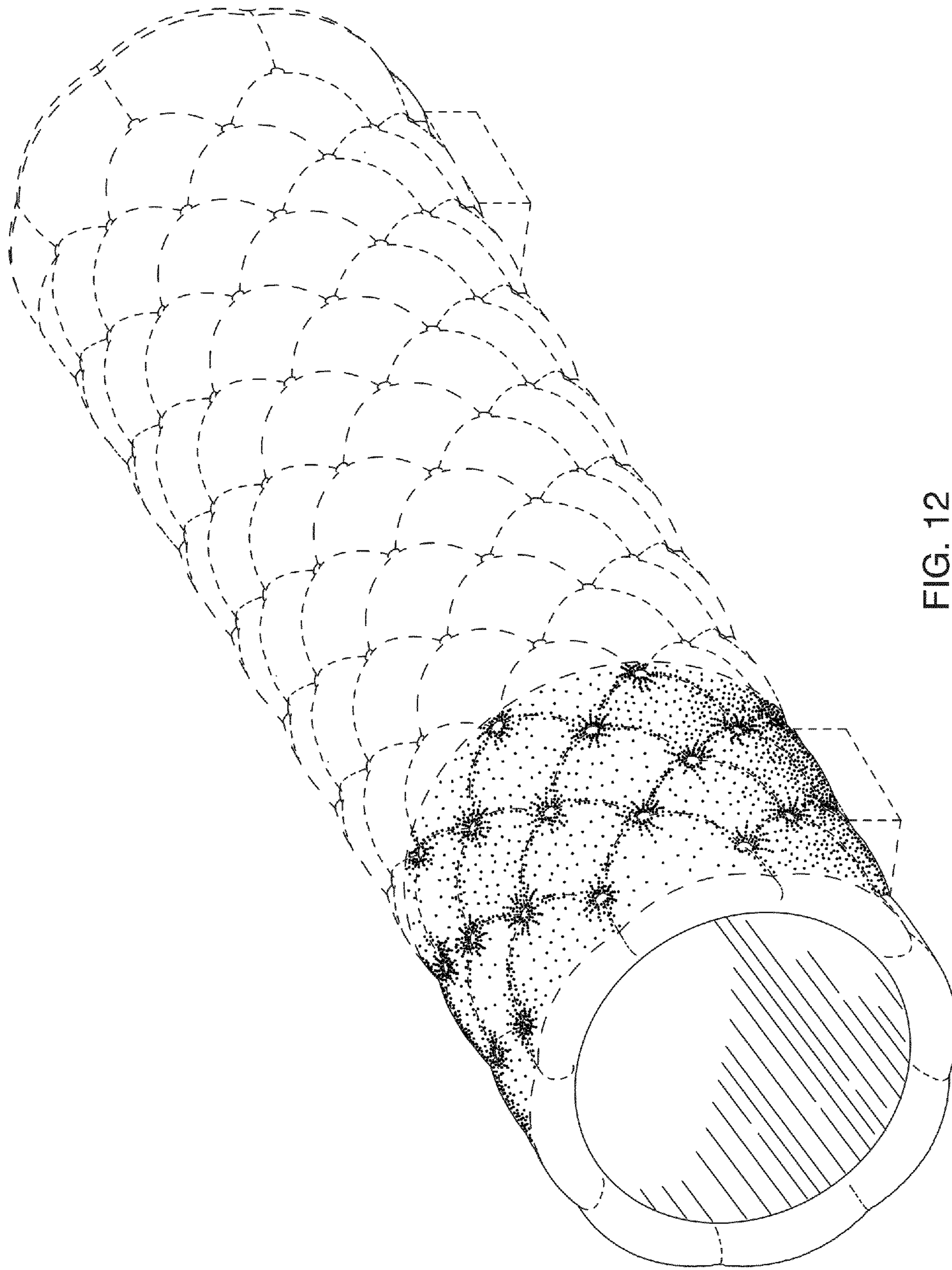


FIG. 12



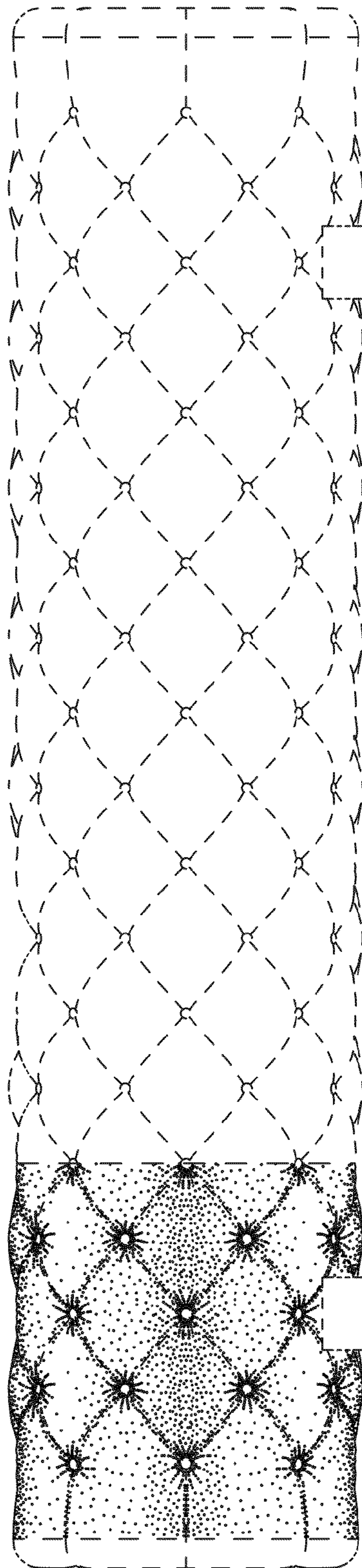


FIG. 13

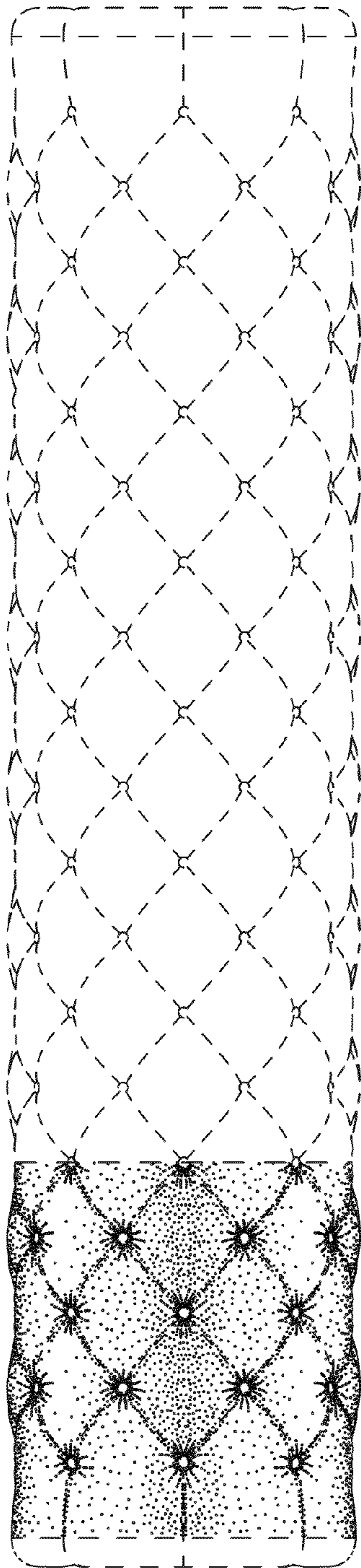


FIG. 14

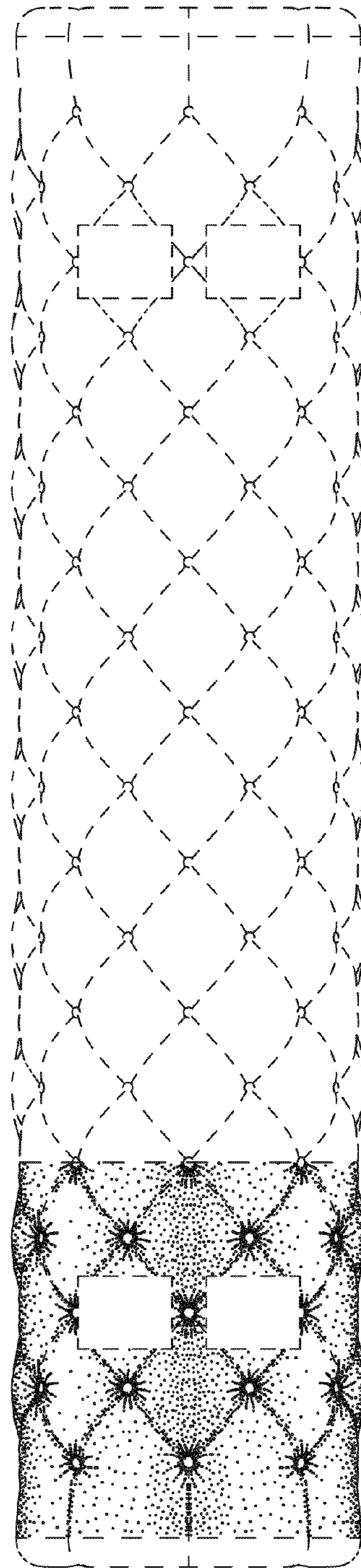


FIG. 15

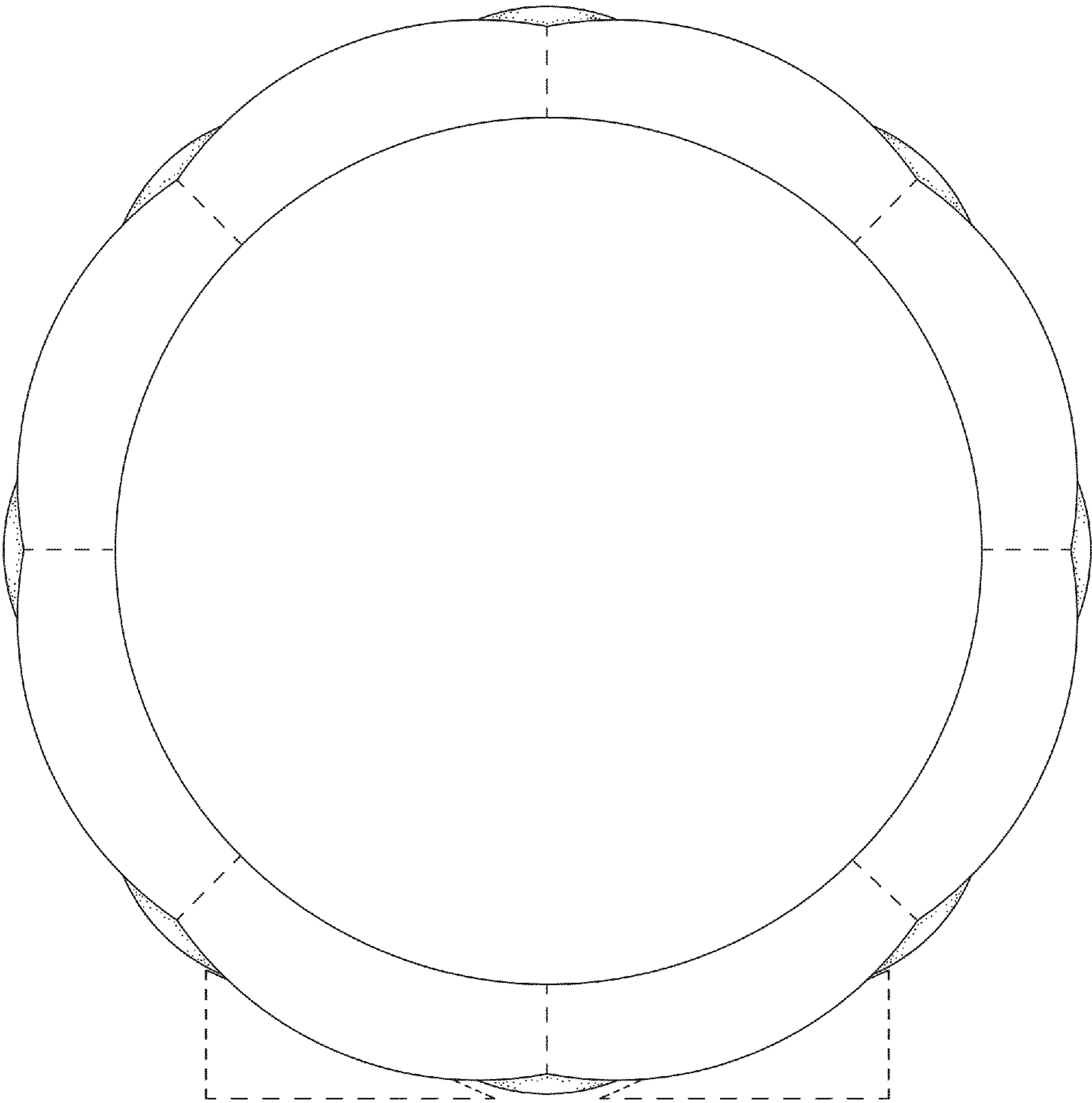


FIG. 16