



US00D690545S

(12) **United States Design Patent**
Blomstrom et al.

(10) **Patent No.:** **US D690,545 S**
(45) **Date of Patent:** **** Oct. 1, 2013**

(54) **TABLET CHAIR WITH BOOK RACK**

(75) Inventors: **John K. Blomstrom**, Minneapolis, MN (US); **Patrick W. Fricke**, Bremerton, WA (US); **Jonathan M. Ries**, DePere, WI (US); **Marc A. Gulko**, Greenville, WI (US); **Daniel J. Noll**, Madison, WI (US)

(73) Assignee: **Krueger International**, Green Bay, WI (US)

(**) Term: **14 Years**

(21) Appl. No.: **29/393,779**

(22) Filed: **Jun. 9, 2011**

(51) **LOC (9) Cl.** **06-01**

(52) **U.S. Cl.**
USPC **D6/716; D6/341**

(58) **Field of Classification Search**
USPC D6/334-336, 338, 340-355, 360, D6/363-365, 367-373, 716.1-716.6, 717, D6/717.2; 297/461, 462, 115, 116, 135, 297/160-162

See application file for complete search history.

(56) **References Cited**

U.S. PATENT DOCUMENTS

D54,187	S	*	11/1919	Thompson	D6/341
D190,181	S	*	4/1961	Alverson	D6/341
3,380,778	A		4/1968	Barecki		
D261,579	S	*	11/1981	Heritage	D6/341
4,372,605	A		2/1983	Cervantes		
D279,636	S	*	7/1985	Barnett	D6/509
4,763,919	A		8/1988	Nakao et al.		
5,364,137	A		11/1994	Shimer		
D353,058	S		12/1994	Dallas		
5,816,649	A		10/1998	Shields		
5,954,393	A		9/1999	Perrin		

6,237,997	B1		5/2001	Olson		
D477,921	S	*	8/2003	Bosman et al.	D6/338
6,669,282	B2		12/2003	Piretti		
6,733,073	B2		5/2004	Whiteside et al.		
D511,416	S		11/2005	Obbitts et al.		
7,207,625	B1		4/2007	Hardt, II et al.		
7,407,232	B2		8/2008	Sakamoto et al.		
D597,758	S		8/2009	Barrett et al.		
7,597,392	B1		10/2009	Gilmore		
7,600,820	B2		10/2009	Bouche et al.		
D611,740	S		3/2010	Koh		
7,726,732	B1		6/2010	Keating		
D636,612	S	*	4/2011	Overthun et al.	D6/338
D674,615	S	*	1/2013	Blomstrom et al.	D6/341
2005/0140186	A1		6/2005	Piretti		
2005/0140187	A1		6/2005	Kordecki		
2007/0284920	A1*		12/2007	Mehaffey et al.	297/162

* cited by examiner

Primary Examiner — Susan Bennett Hattan

Assistant Examiner — Vy Koenig

(74) *Attorney, Agent, or Firm* — Andrus, Sceales, Starke & Sawall, LLP

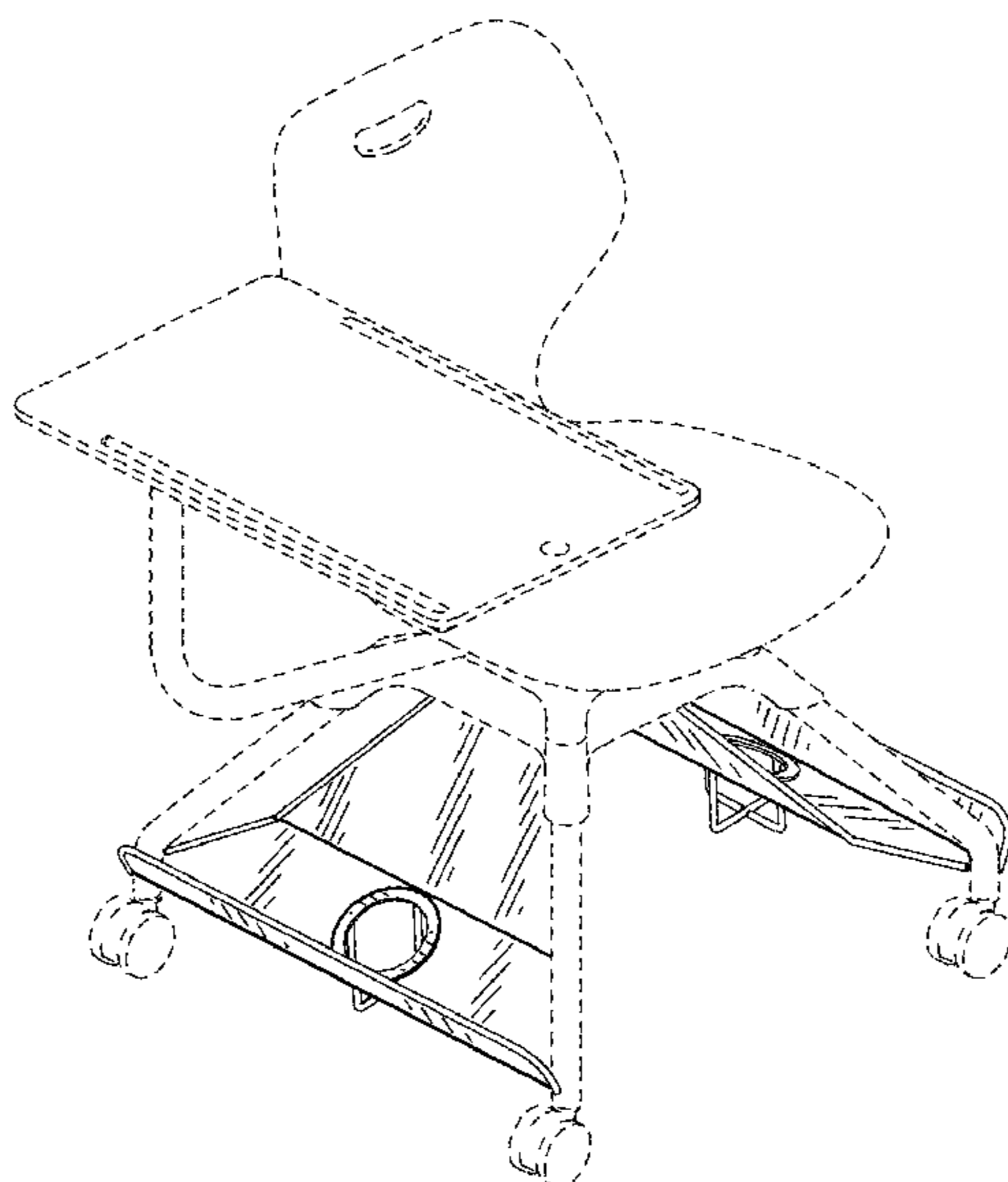
(57) **CLAIM**

The ornamental design for a tablet chair with book rack, as shown and described.

DESCRIPTION

FIG. 1 is an isometric view of a tablet chair with a book rack incorporating our new design;
FIG. 2 is a top plan view thereof;
FIG. 3 is a front elevation view thereof;
FIG. 4 is a right side elevation view thereof;
FIG. 5 is a left side elevation view thereof;
FIG. 6 is a rear elevation view thereof; and,
FIG. 7 is a top view taken along line 7-7 of FIG. 3.
The portions shown in phantom illustrate environment and form no part of the claimed design.

1 Claim, 6 Drawing Sheets



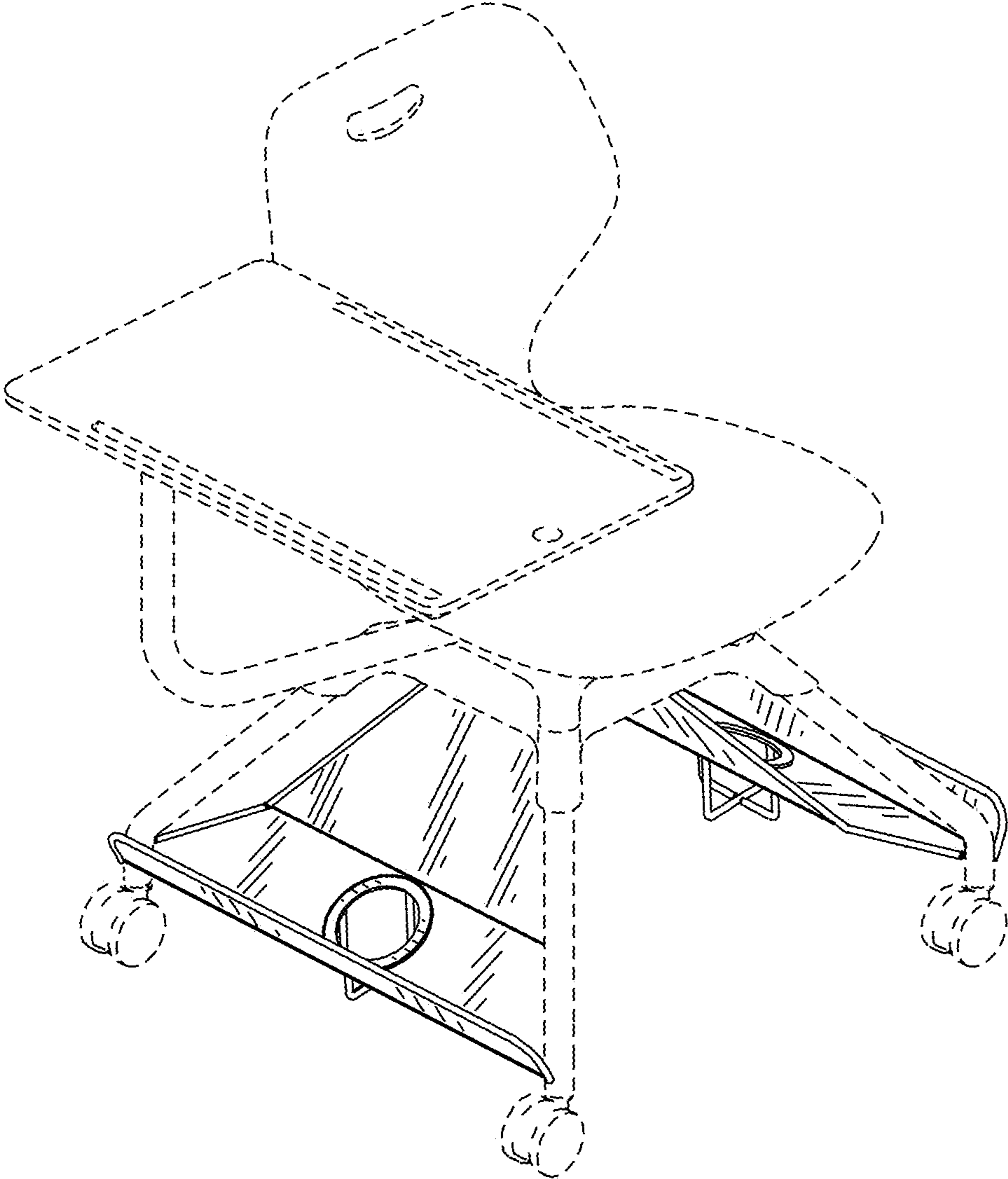


FIG. 1

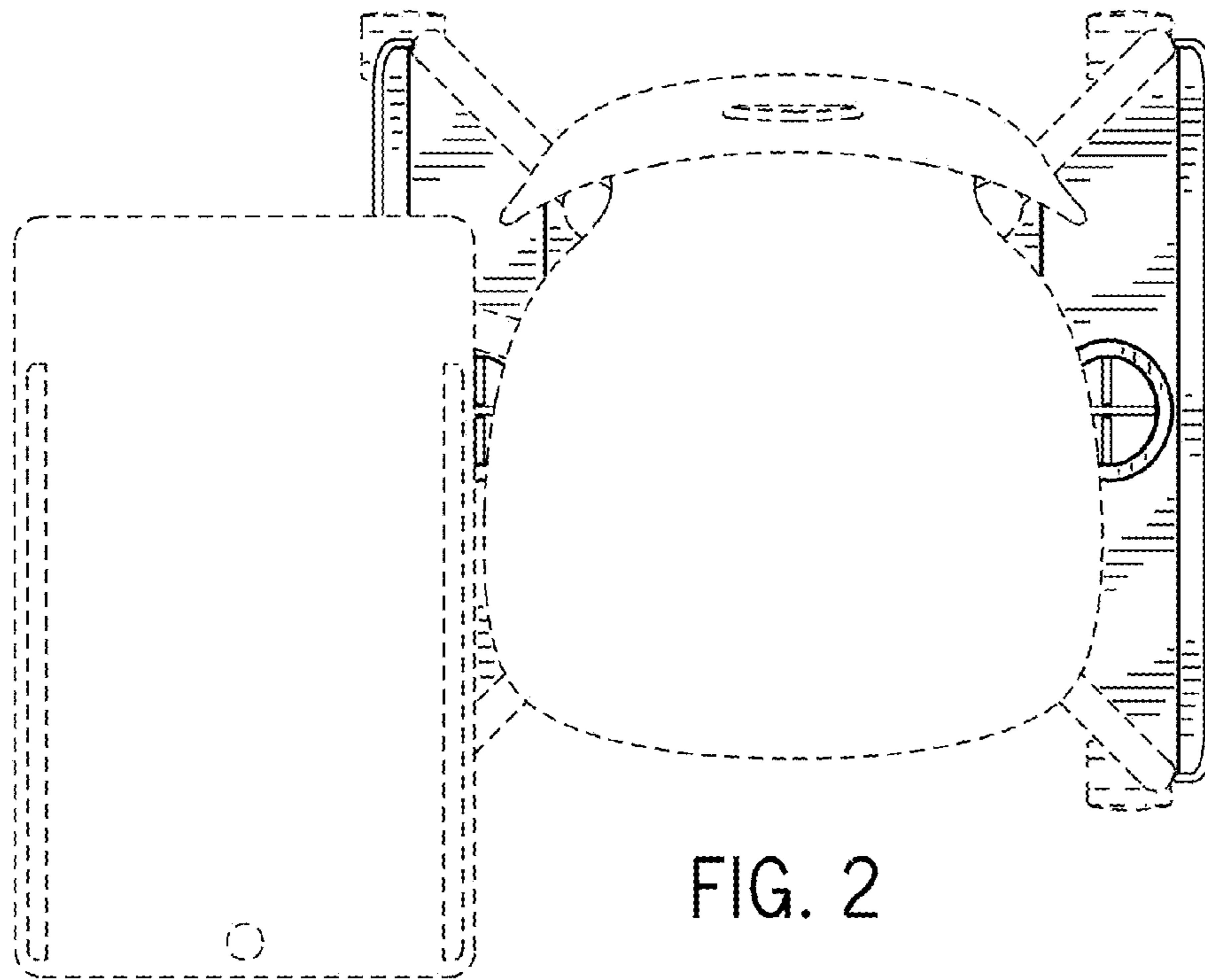


FIG. 2

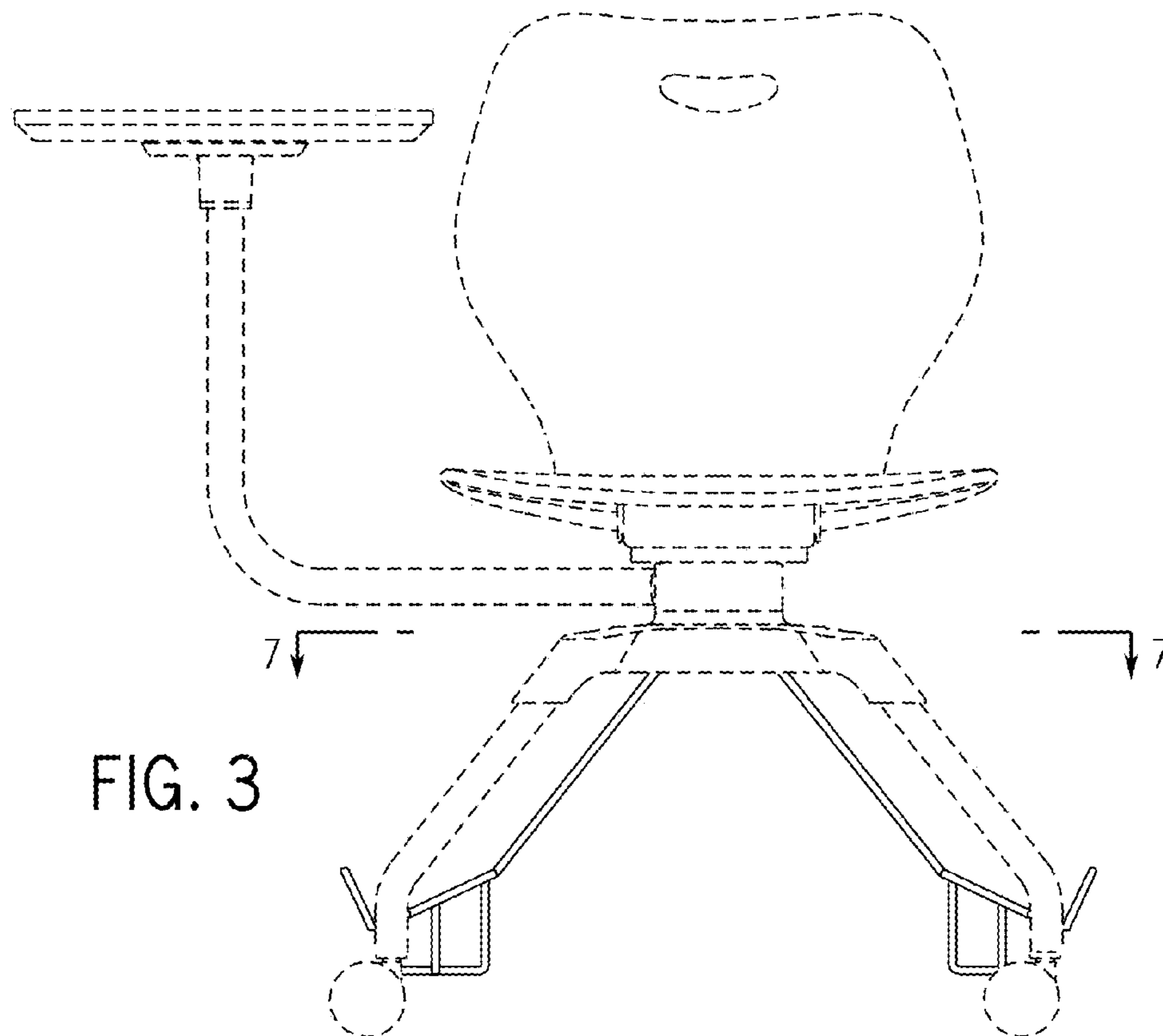


FIG. 3

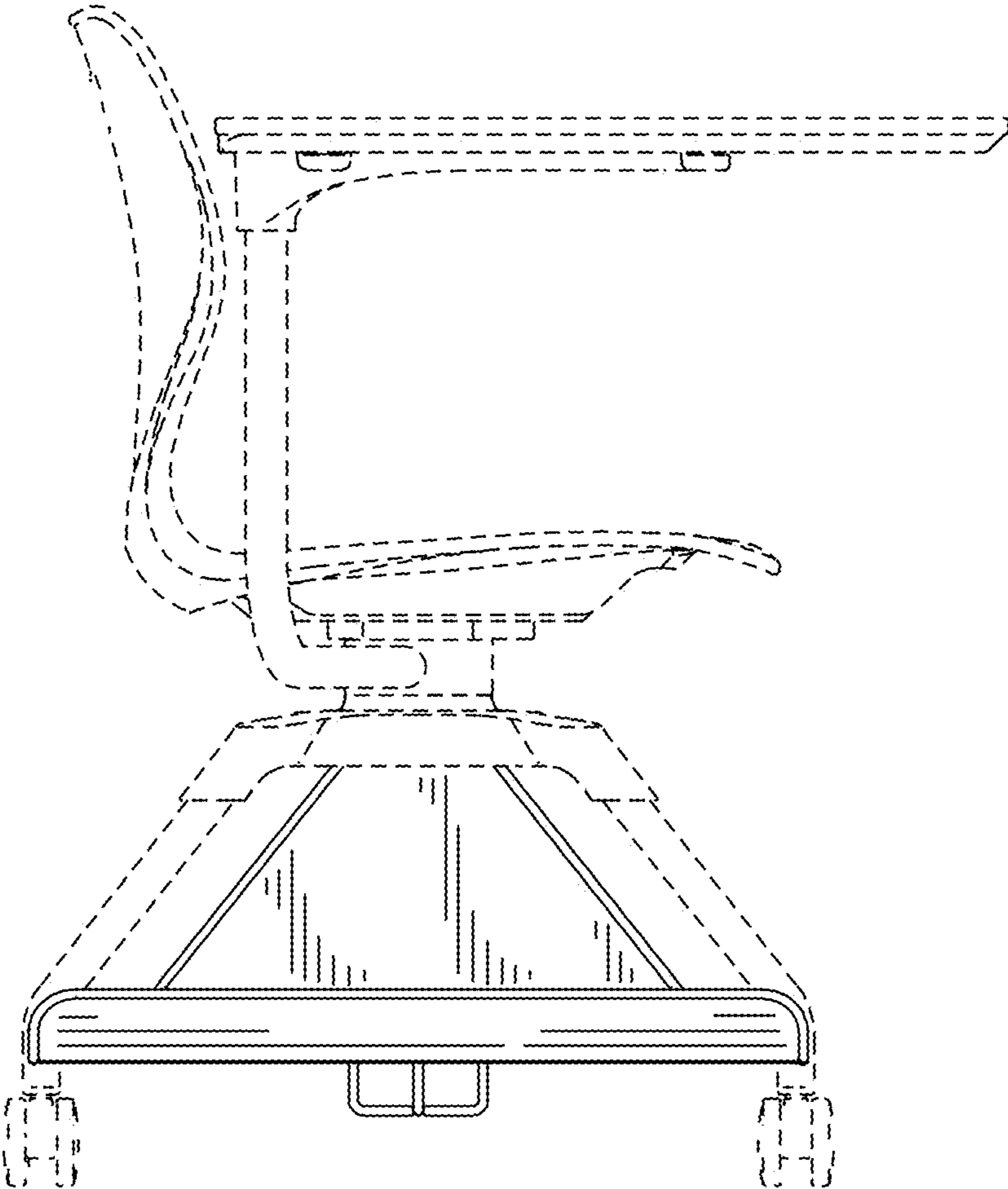


FIG. 4

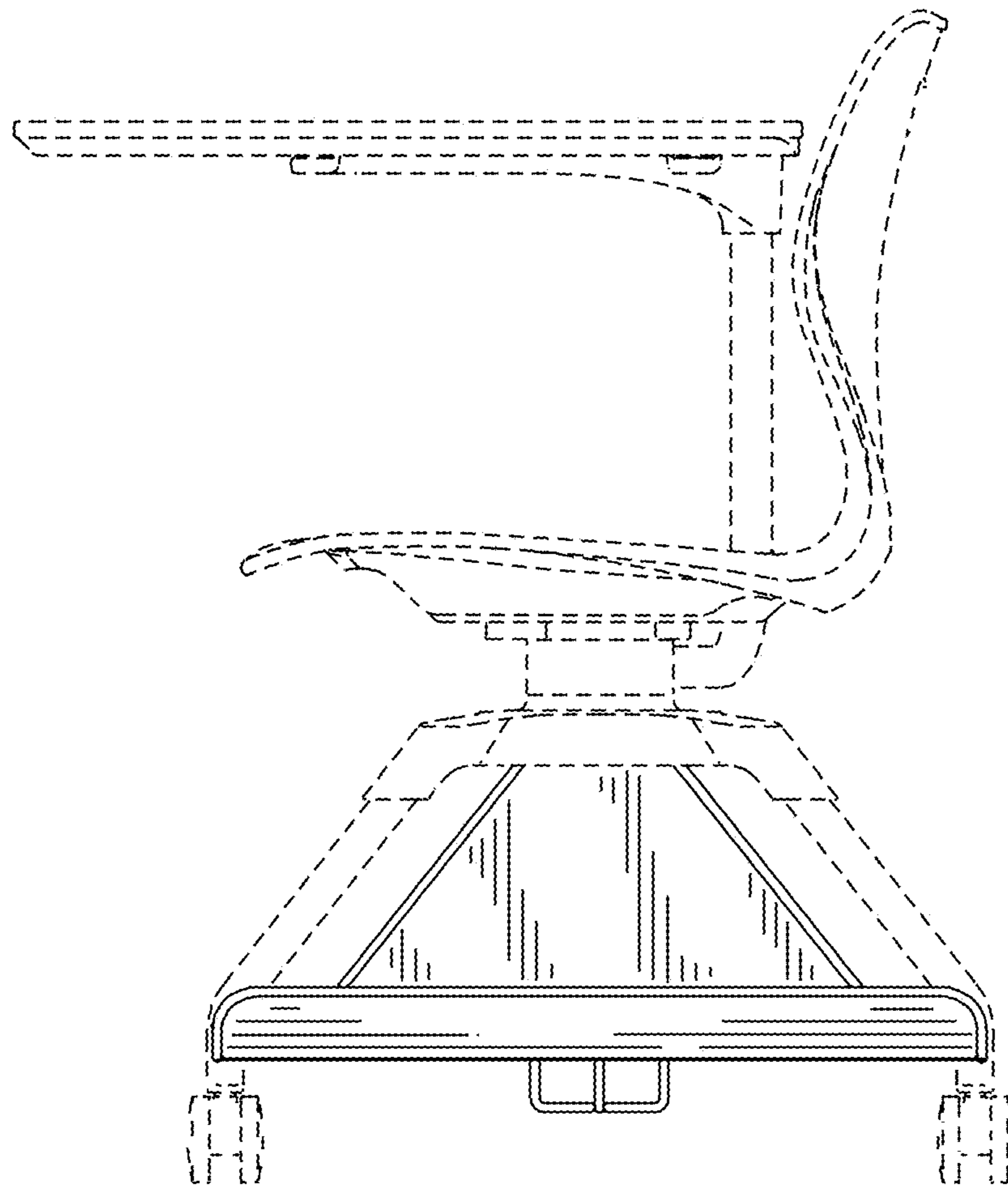


FIG. 5

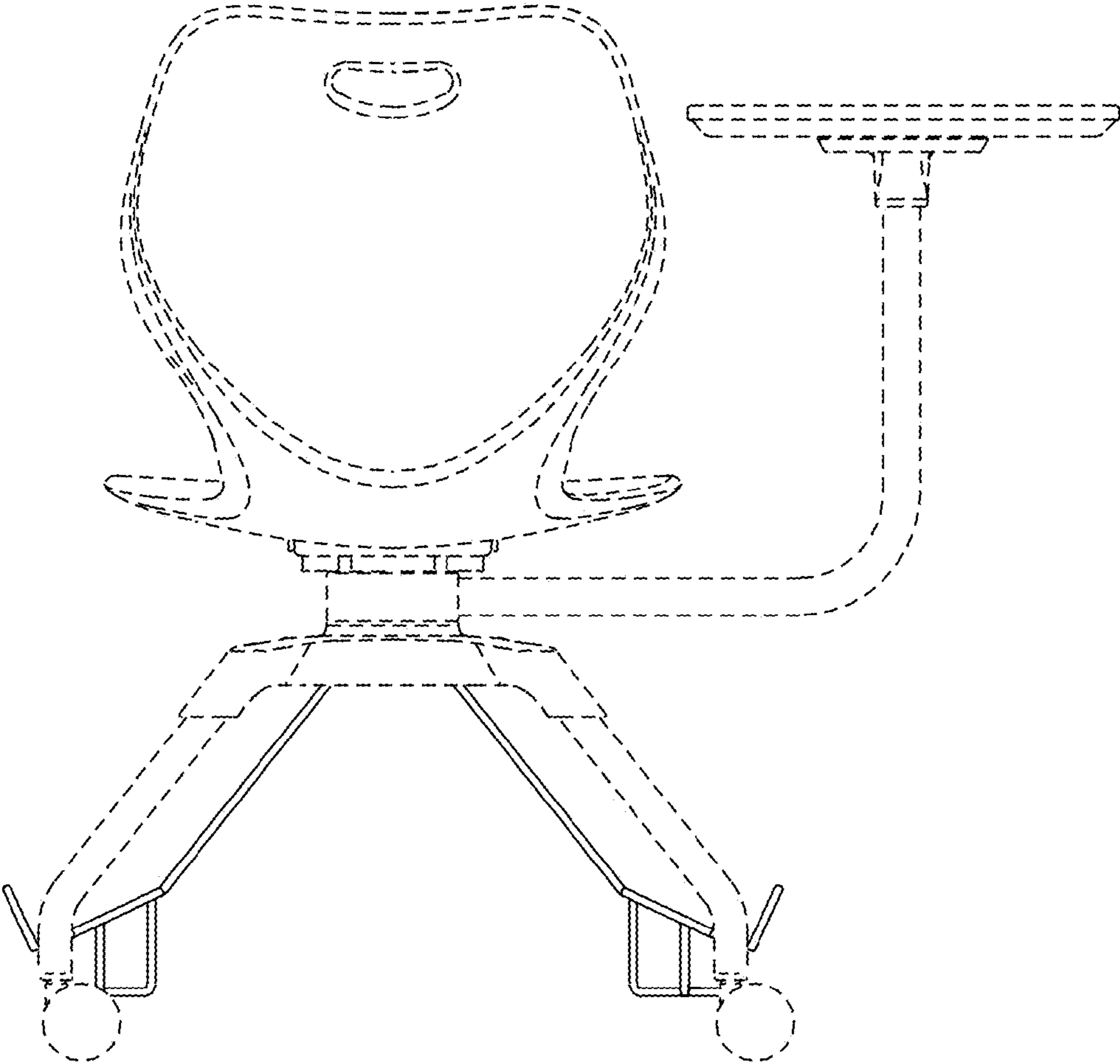


FIG. 6

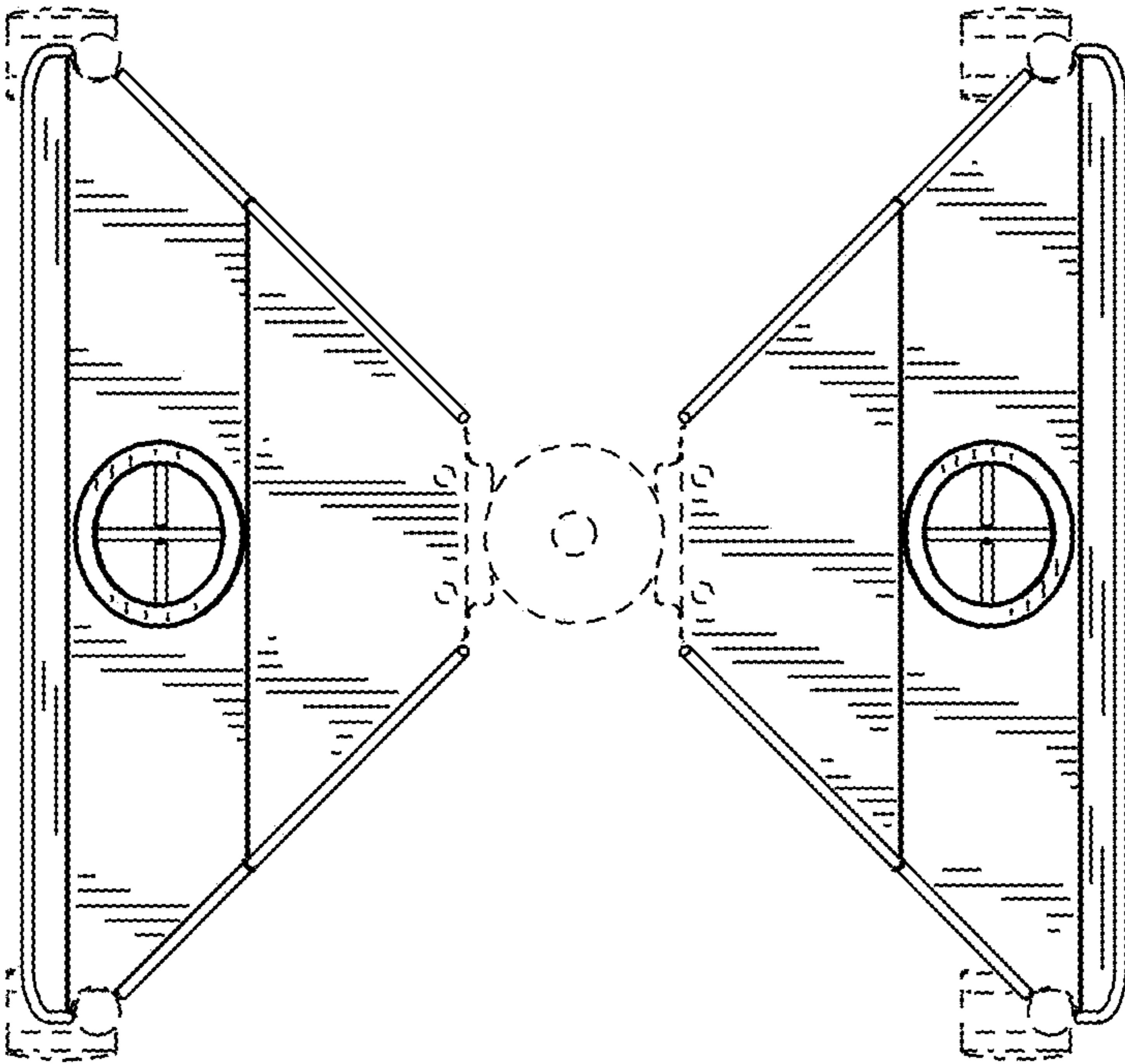


FIG. 7