



US00D690544S

(12) **United States Design Patent**
Feeney

(10) **Patent No.:** **US D690,544 S**

(45) **Date of Patent:** **** Oct. 1, 2013**

(54) **OGEE COUNTERTOP LAMINATE EDGE TRIM**

(76) Inventor: **Ethan Feeney**, Allardt, TN (US)

(**) Term: **14 Years**

(21) Appl. No.: **29/413,374**

(22) Filed: **Feb. 14, 2012**

(51) **LOC (9) Cl.** **06-04**

(52) **U.S. Cl.**
USPC **D6/707.24**

(58) **Field of Classification Search**
USPC D6/657, 663, 664, 668, 668.1, 668.2,
D6/669, 671, 671.1, 671.3, 671.4, 672, 673,
D6/707, 707.19, 707.24; 312/137, 140.1,
312/140.2, 140.3, 140.4; D23/270-273,
D23/286, 303, 308; D24/234; D25/119;
52/36.2, 782.23, 796.12

See application file for complete search history.

(56) **References Cited**

U.S. PATENT DOCUMENTS

RE11,414	E *	4/1894	Huss	312/140.4
1,542,138	A *	6/1925	Hunter	52/796.12
1,568,247	A *	1/1926	Schmitz	52/782.23
1,815,167	A *	7/1931	Soper	52/782.23
1,817,453	A *	8/1931	Hunter	52/796.12
1,836,911	A *	12/1931	Fitch	52/782.23
2,186,530	A *	1/1940	Jones	52/796.12
2,286,295	A *	6/1942	Mastrangelo	52/796.12
5,980,151	A *	11/1999	Manning	312/140.1
D420,748	S *	2/2000	Strickland et al.	D24/234
D433,256	S *	11/2000	Zaidman et al.	D6/707.24
D463,170	S *	9/2002	Schultz	D6/707.24
D581,192	S *	11/2008	Hazelwood et al.	D6/707
D607,241	S *	1/2010	Clausen	D6/707.24
D607,242	S *	1/2010	Clausen	D6/707.24
7,670,670	B2 *	3/2010	Stupfel	428/157

OTHER PUBLICATIONS

IdealEdge Brochure, Perfect From Any Angle by Formica Group, Transcend the limits of yesterday's laminate, pp. 1-6.

Wilsonart Home Collection Brochure, Decorative Edges, Complete the look of your new countertop with Wilsonart Decorative Edges, pp. 1-9.

Website snapshot for Wilsonart Contract, One page.

Website snapshot for IdealEdge, One page.

* cited by examiner

Primary Examiner — Mimoso De

(74) *Attorney, Agent, or Firm* — Waddey & Patterson, PC; Matthew C. Cox

(57) **CLAIM**

What is claimed is the ornamental design for an ogee countertop laminate edge trim, as shown and described.

DESCRIPTION

FIG. 1 illustrates a perspective view of the ogee countertop laminate edge trim of applicant's invention.

FIG. 2 illustrates a detail perspective view of the ogee countertop laminate edge trim of Applicant's invention.

FIG. 3 illustrates a top view of the ogee countertop laminate edge trim of Applicant's invention.

FIG. 4 illustrates a front view of the ogee countertop laminate edge trim of Applicant's invention.

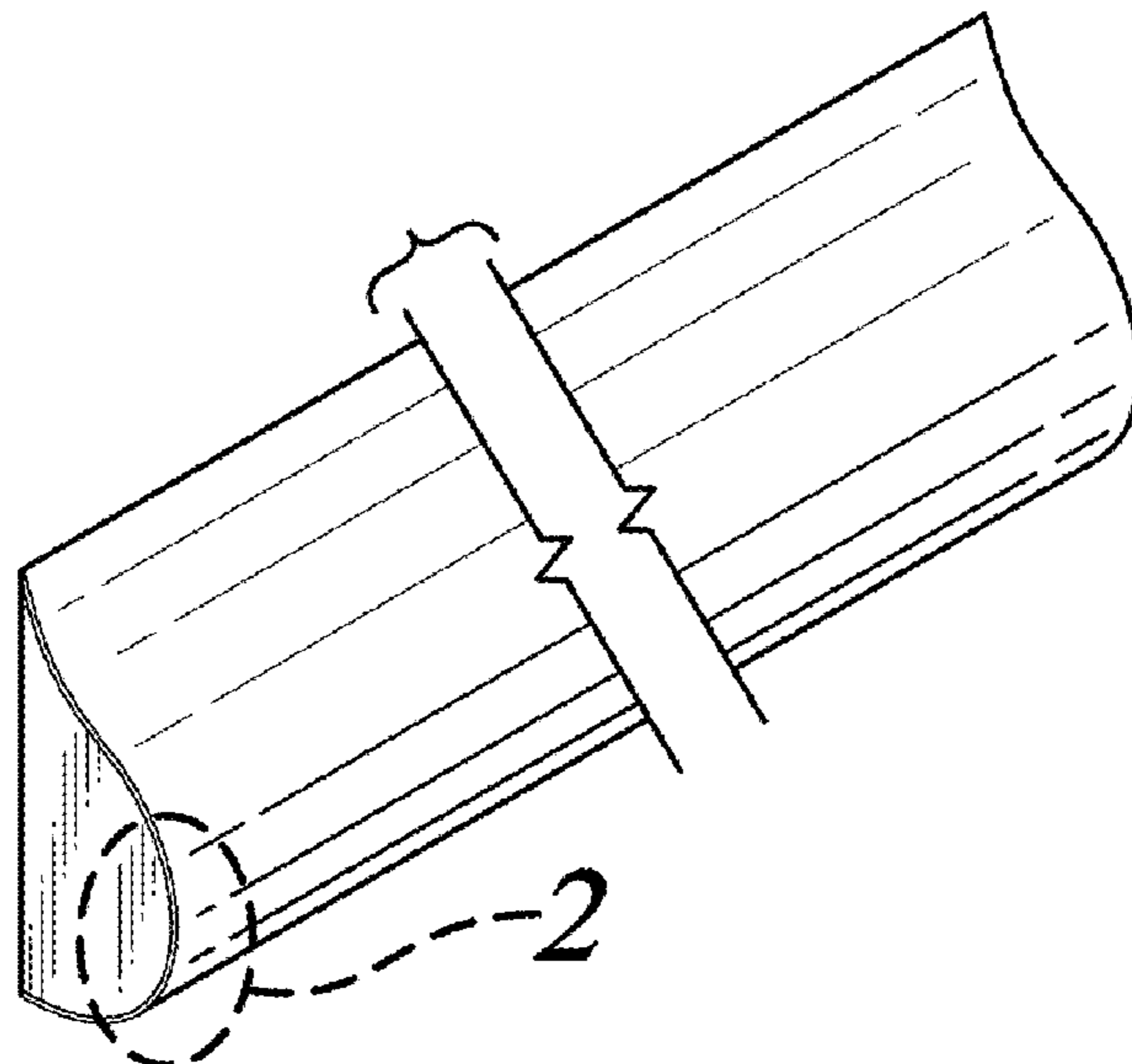
FIG. 5 illustrates an end view of the ogee countertop laminate edge trim of Applicant's invention.

FIG. 6 illustrates a back view of the ogee countertop laminate edge trim of Applicant's invention; and,

FIG. 7 illustrates a bottom view of the ogee countertop laminate edge trim of Applicant's invention.

The broken away symbols in the drawings indicate the appearance of any portion of the article between the break lines forms no part of the claimed design.

1 Claim, 1 Drawing Sheet



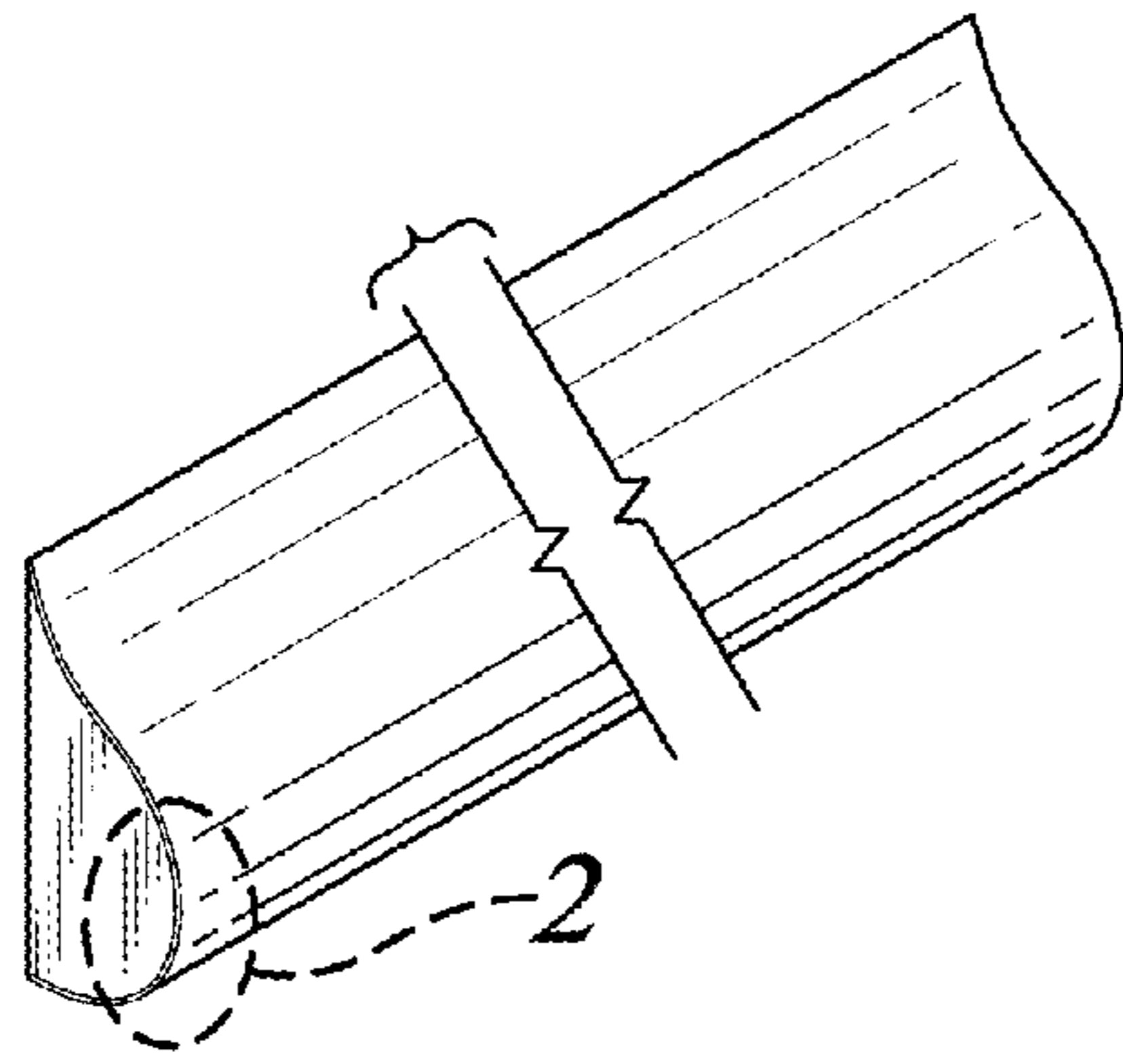


FIG. 1

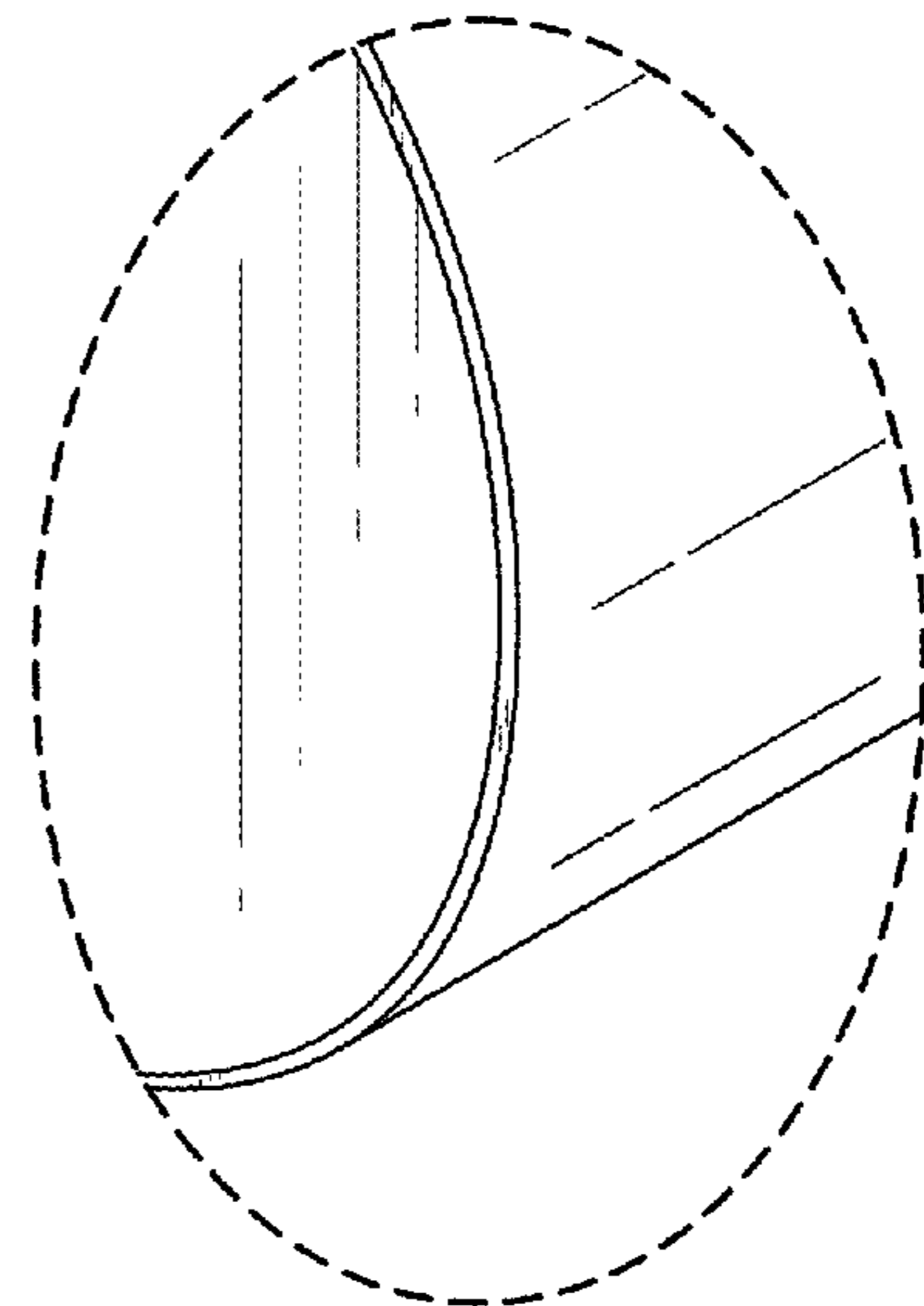


FIG. 2

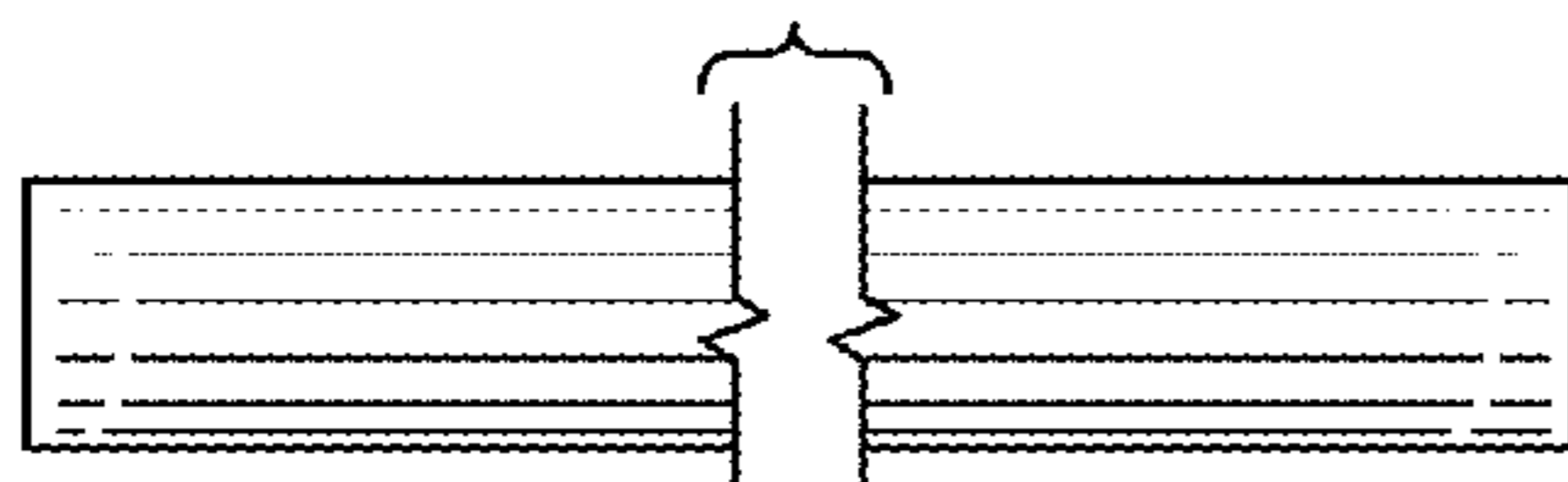


FIG. 3

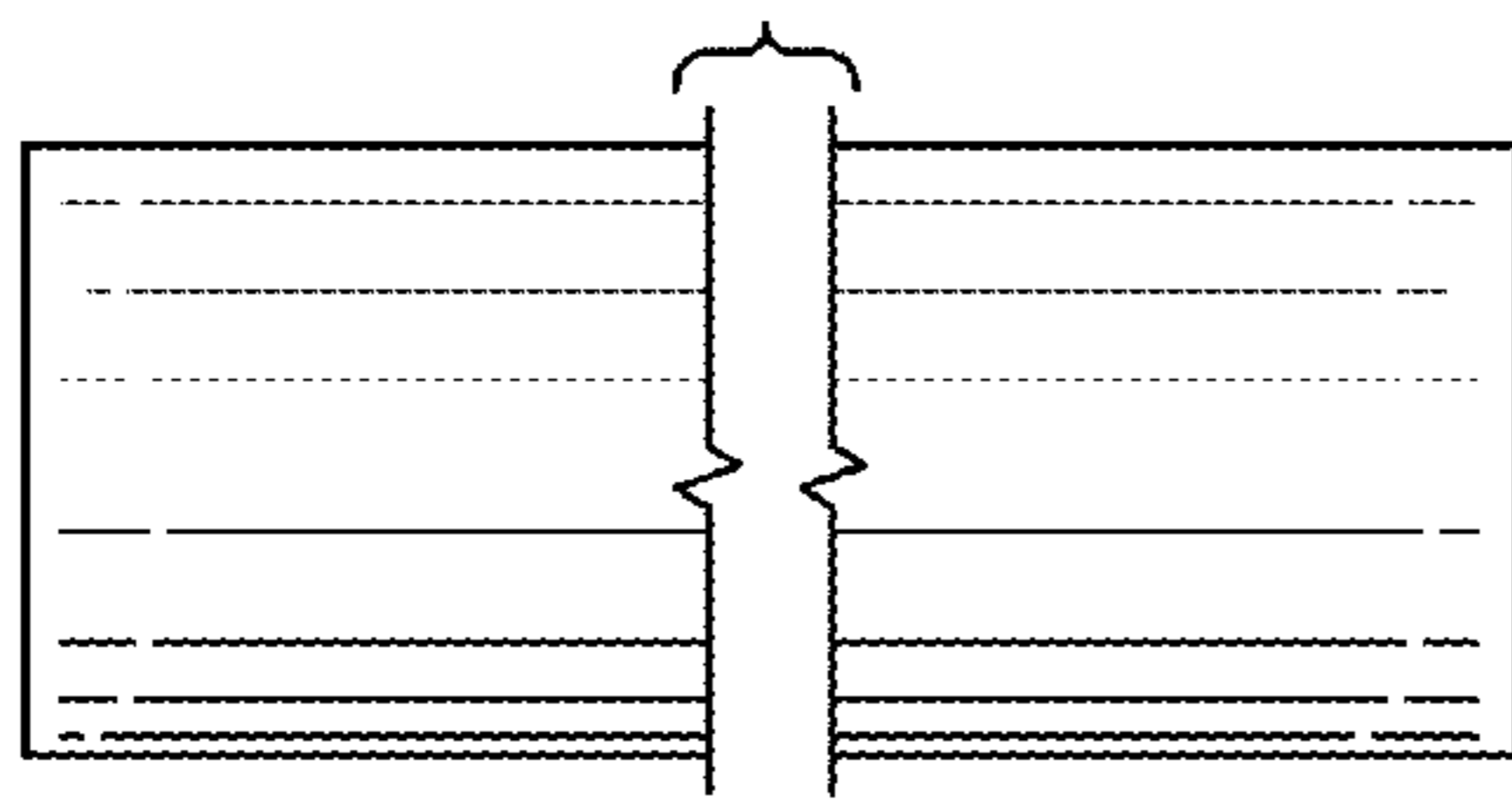


FIG. 4



FIG. 5

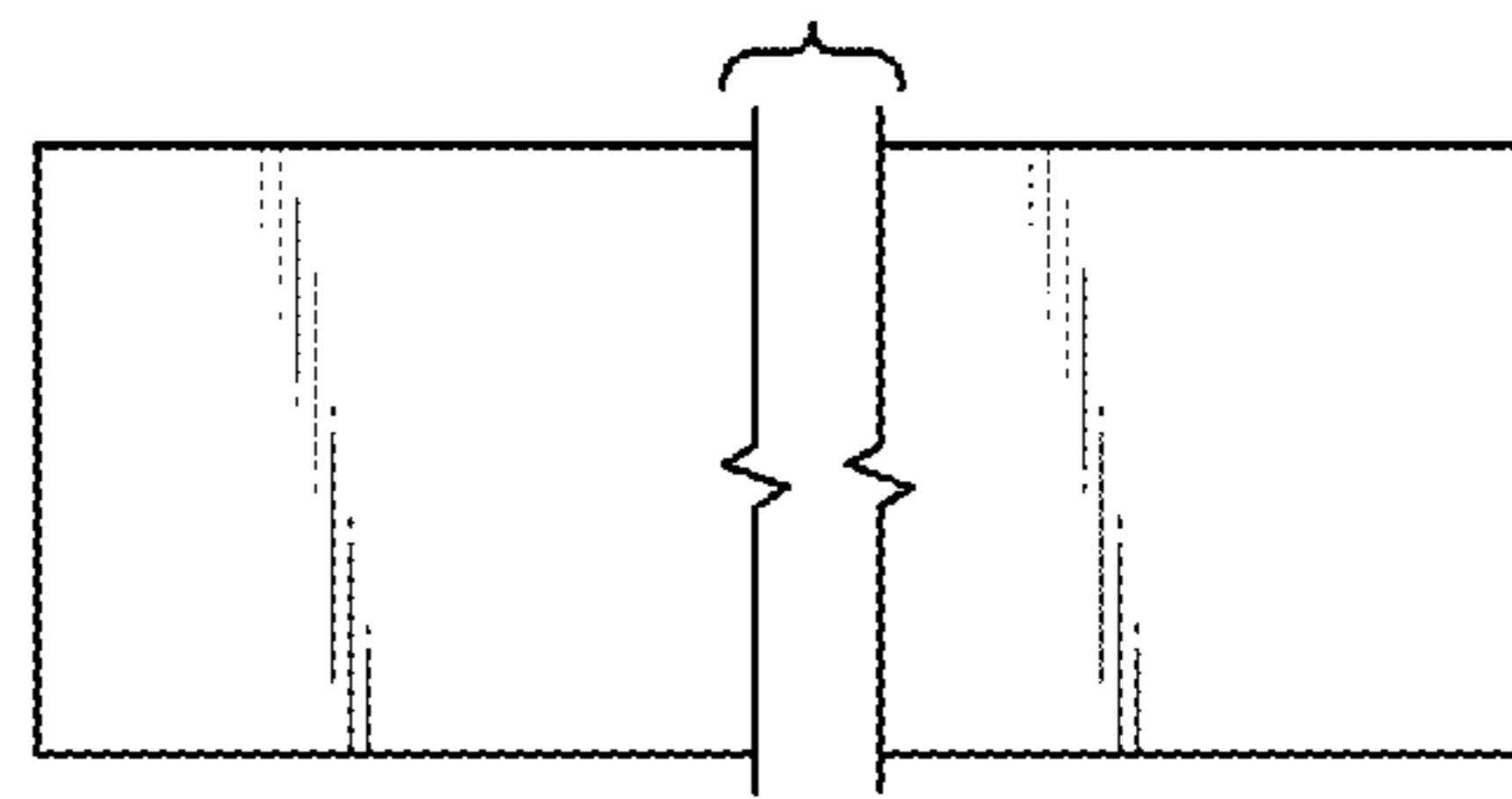


FIG. 6

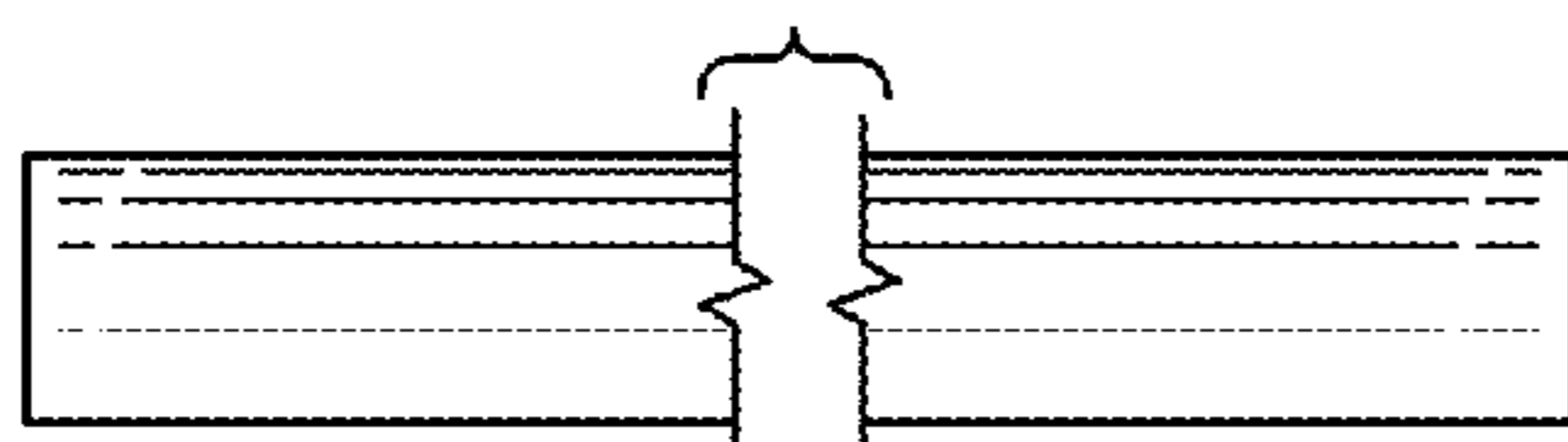


FIG. 7