



US00D690543S

(12) **United States Design Patent**  
**Meissner et al.**

(10) **Patent No.:** **US D690,543 S**  
(45) **Date of Patent:** **\*\* Oct. 1, 2013**

(54) **TABLE**

(75) Inventors: **Edward T. Meissner**, Hartland, WI (US); **Randy M. Klibowitz**, Oconomowoc, WI (US)

(73) Assignee: **Color Ink, Inc.**, Sussex, WI (US)

(\*\*) Term: **14 Years**

(21) Appl. No.: **29/414,609**

(22) Filed: **Mar. 1, 2012**

(51) **LOC (9) Cl.** ..... **06-03**

(52) **U.S. Cl.**  
USPC ..... **D6/690**

(58) **Field of Classification Search**  
USPC ..... D6/480–489, 495, 496, 499, 429, D6/690, 691; 108/150, 153.1, 155, 157, 108/161, 144.11; 248/188, 188.8, 188.7, 248/174

See application file for complete search history.

(56) **References Cited**

U.S. PATENT DOCUMENTS

D112,864 S	1/1939	Schiup	
2,649,137 A *	8/1953	Roberts	108/146
3,620,175 A	11/1971	Crane et al.	
D234,413 S	3/1975	Hauner	
D248,196 S	6/1978	Gordon, Sr.	
D260,716 S *	9/1981	Cohen et al.	D6/474
4,934,756 A	6/1990	Webb et al.	
D330,475 S *	10/1992	Bennett	D6/485
5,263,766 A	11/1993	McCullough	
5,450,998 A	9/1995	Esse et al.	
5,644,995 A *	7/1997	Gurwell et al.	108/188
D398,453 S *	9/1998	Stead	D6/349
D402,229 S	12/1998	Christensen	
D408,176 S *	4/1999	Rollins et al.	D6/480
6,027,188 A	2/2000	Nickens	
D477,165 S	7/2003	Petri	
D553,393 S	10/2007	Cassel	
D565,331 S *	4/2008	Miller	D6/485
7,625,047 B2	12/2009	Bertele	
D648,959 S	11/2011	Alden	
D651,121 S	12/2011	Grimme	
D663,257 S	7/2012	Stroud et al.	

D669,686 S	10/2012	Waggoner
D672,960 S	12/2012	Turner
D674,191 S	1/2013	Sakaguchi
2003/0010738 A1	1/2003	Hsia et al.
2003/0066814 A1	4/2003	Wang
2008/0237319 A1	10/2008	Hensey et al.

FOREIGN PATENT DOCUMENTS

EP	1714776	10/2006
WO	WO 97/00039	1/1997
WO	WO 2004/042237	5/2004
WO	WO 2011/000380	1/2011
WO	WO 2011/031209	3/2011
WO	WO 2011/162687	12/2011

OTHER PUBLICATIONS

Hellmuth, N.; Herrera, S. Honeycomb Sandwich Panels, FLAAR Reports, Exhibits of Honeycomb Material at Graphispag 2011 Print Expo, Barcelona.  
Northern Design Re-Board Product Website—Gallery of Products, May 20, 2013.  
POS Factory Website—Re-board partner website, May 20, 2013.  
Stora Enso Re-Board Product Website—Re-Board Material and Products, May 20, 2013.

\* cited by examiner

*Primary Examiner* — Janice Seeger

(74) *Attorney, Agent, or Firm* — Ryan Kromholz & Manion, S.C.

(57) **CLAIM**

The ornamental design for a table, as shown and described.

**DESCRIPTION**

FIG. 1 is a perspective view of a first embodiment of the table; FIG. 2 is a front elevation view, the rear elevation view being identical; FIG. 3 is a right side elevation view, the left side elevation view being identical; FIG. 4 is a top plan view thereof; FIG. 5 is a bottom plan view thereof; FIG. 6 is a perspective view of a second embodiment of the table; FIG. 7 is a front elevation view, the rear elevation view being identical;

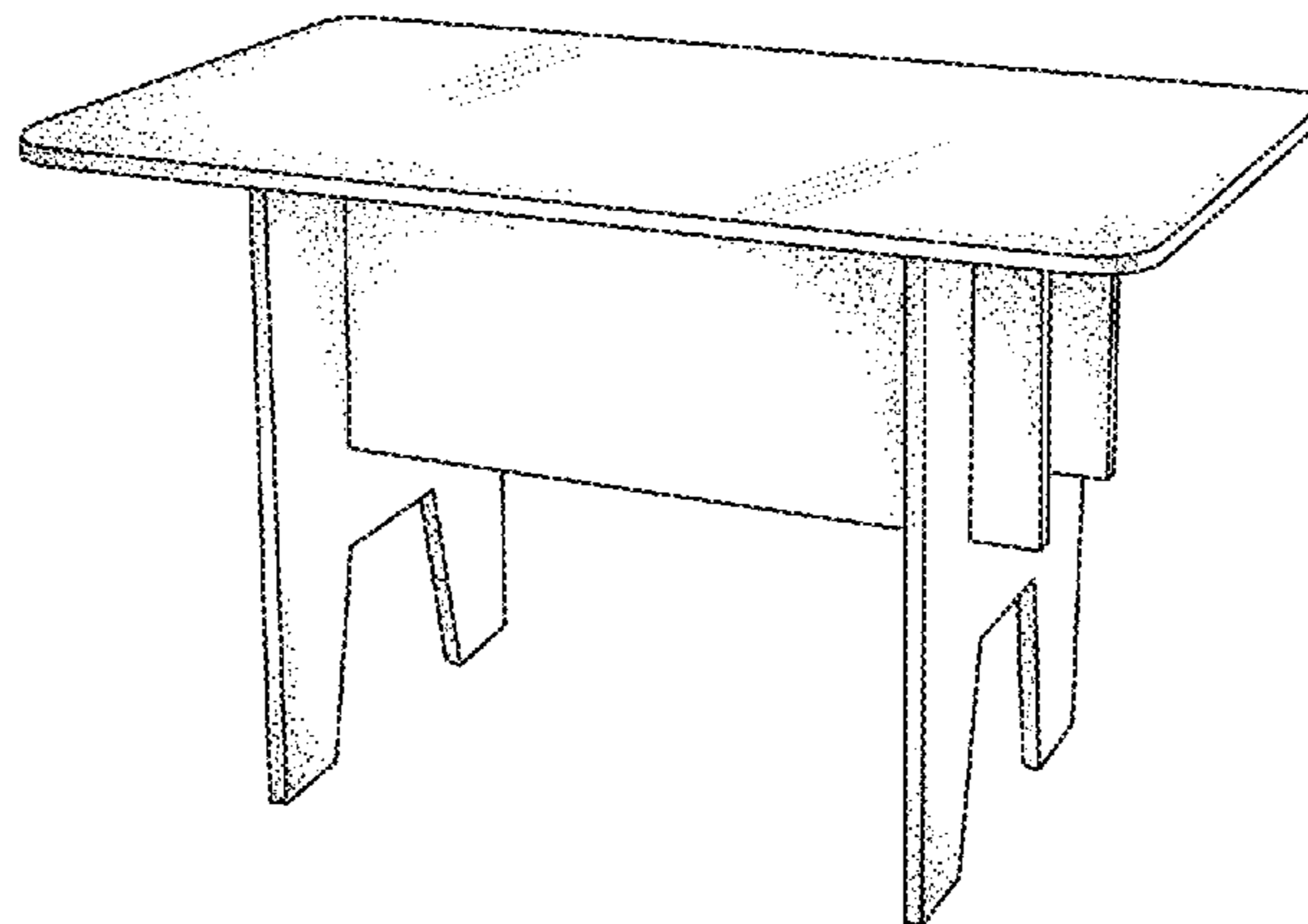
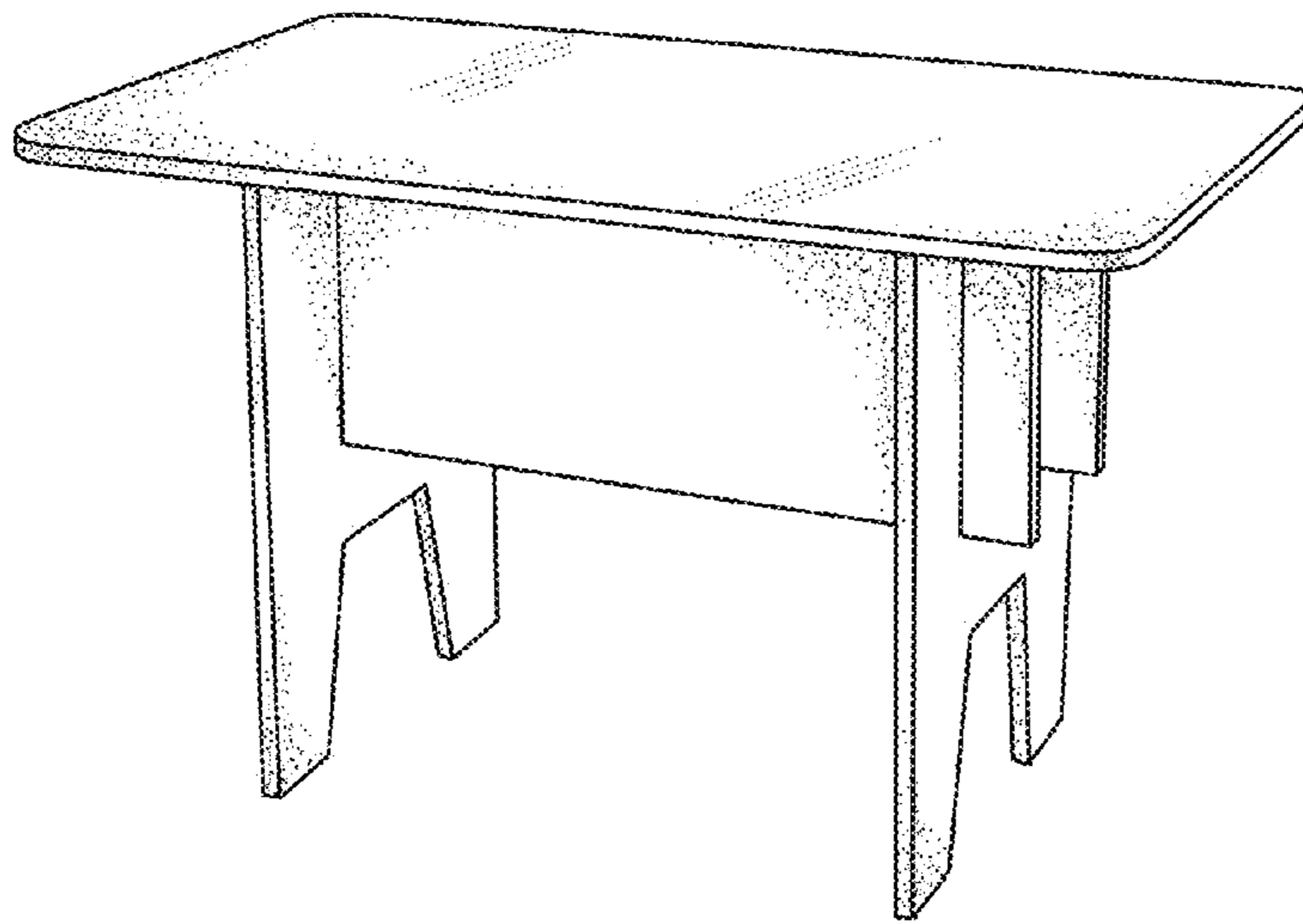


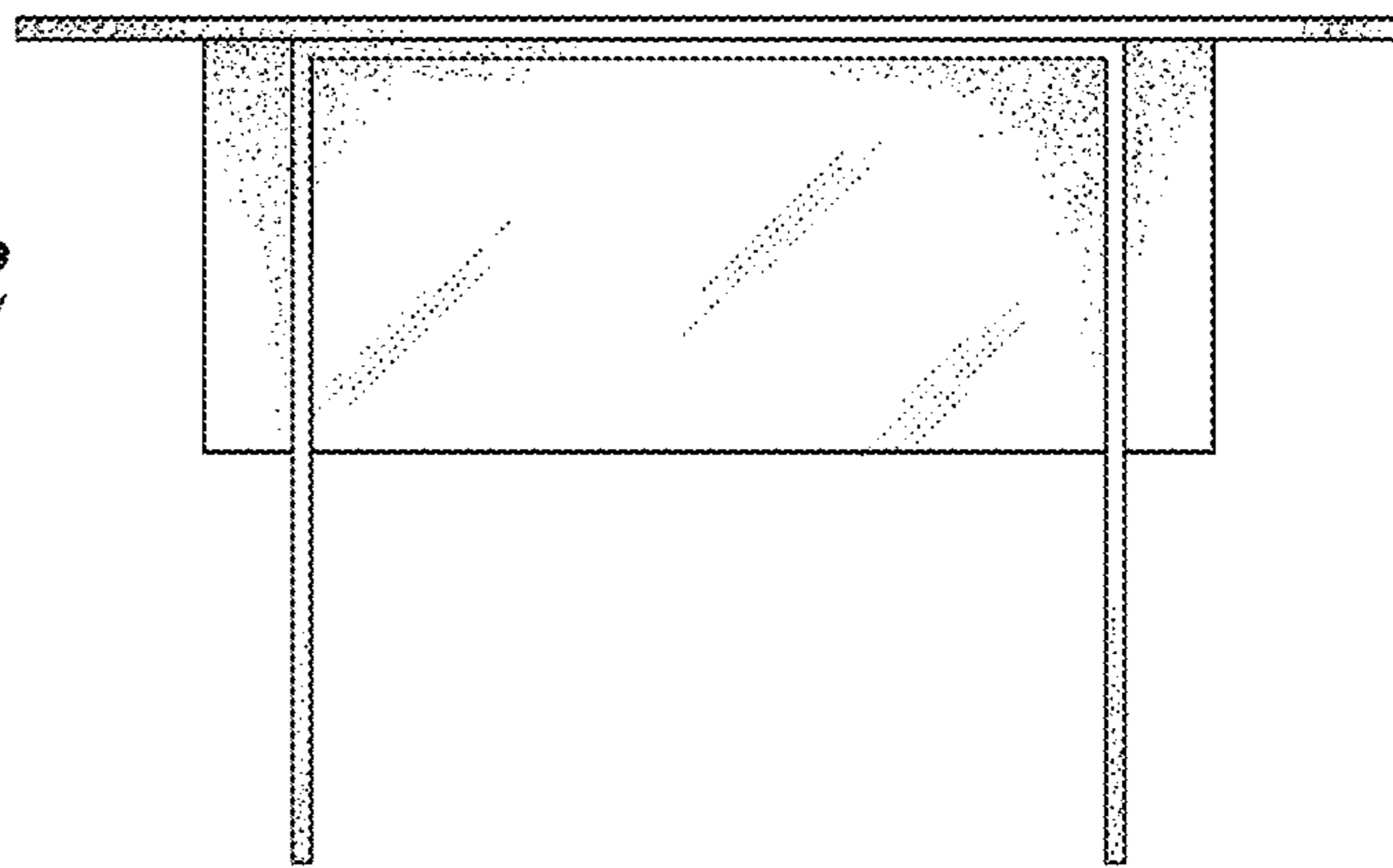
FIG. 8 is a right side elevation view, the left side elevation view being identical;  
FIG. 9 is a top plan view thereof;  
FIG. 10 is a bottom plan view thereof;  
FIG. 11 is a perspective view of a third embodiment of the table;  
FIG. 12 is a front elevation view, the rear elevation view being identical;  
FIG. 13 is a right side elevation view, the left side elevation view being identical;  
FIG. 14 is a top plan view thereof;  
FIG. 15 is a bottom plan view thereof;  
FIG. 16 is a perspective view of a fourth embodiment of the table;  
FIG. 17 is a front elevation view, the rear elevation view being identical;  
FIG. 18 is a right side elevation view, the left side elevation view being identical;  
FIG. 19 is a top plan view thereof;  
FIG. 20 is a bottom plan view thereof;  
FIG. 21 is a perspective view of a fifth embodiment of the table;  
FIG. 22 is a front elevation view, the rear elevation view being identical;  
FIG. 23 is a right side elevation view, the left side elevation view being identical;  
FIG. 24 is a top plan view thereof;

FIG. 25 is a bottom plan view thereof;  
FIG. 26 is a perspective view of a sixth embodiment of the table;  
FIG. 27 is a front elevation view, the rear elevation view being identical;  
FIG. 28 is a right side elevation view, the left side elevation view being identical;  
FIG. 29 is a top plan view thereof;  
FIG. 30 is a bottom plan view thereof;  
FIG. 31 is a perspective view of a seventh embodiment of the table;  
FIG. 32 is a front elevation view, the rear elevation view being identical;  
FIG. 33 is a right side elevation view, the left side elevation view being identical;  
FIG. 34 is a top plan view thereof;  
FIG. 35 is a bottom plan view thereof;  
FIG. 36 is a perspective view of an eighth embodiment of the table;  
FIG. 37 is a front elevation view, the rear elevation view being identical;  
FIG. 38 is a right side elevation view, the left side elevation view being identical;  
FIG. 39 is a top plan view thereof; and,  
FIG. 40 is a bottom plan view thereof.

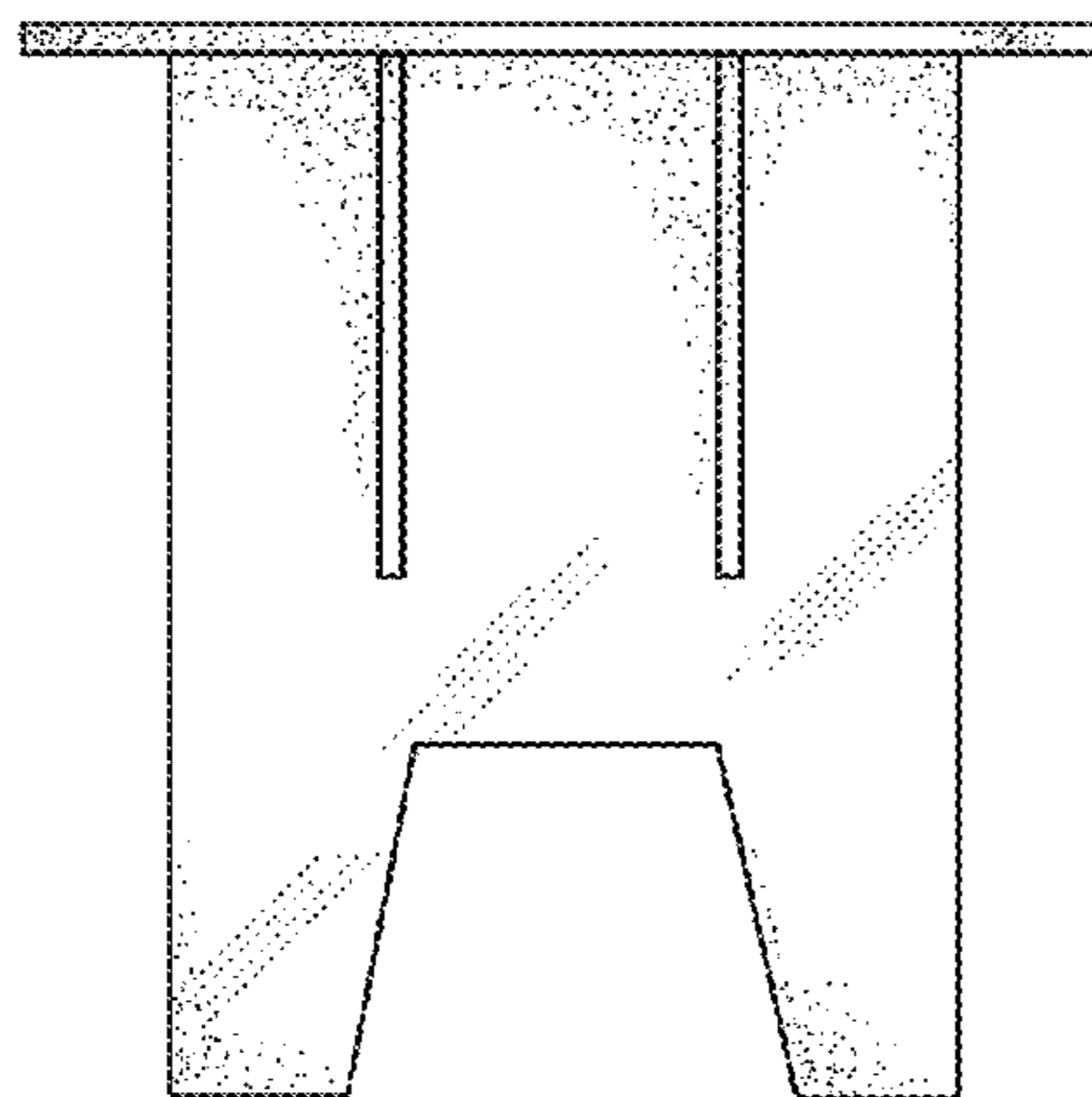
**1 Claim, 16 Drawing Sheets**



*Fig. 1*

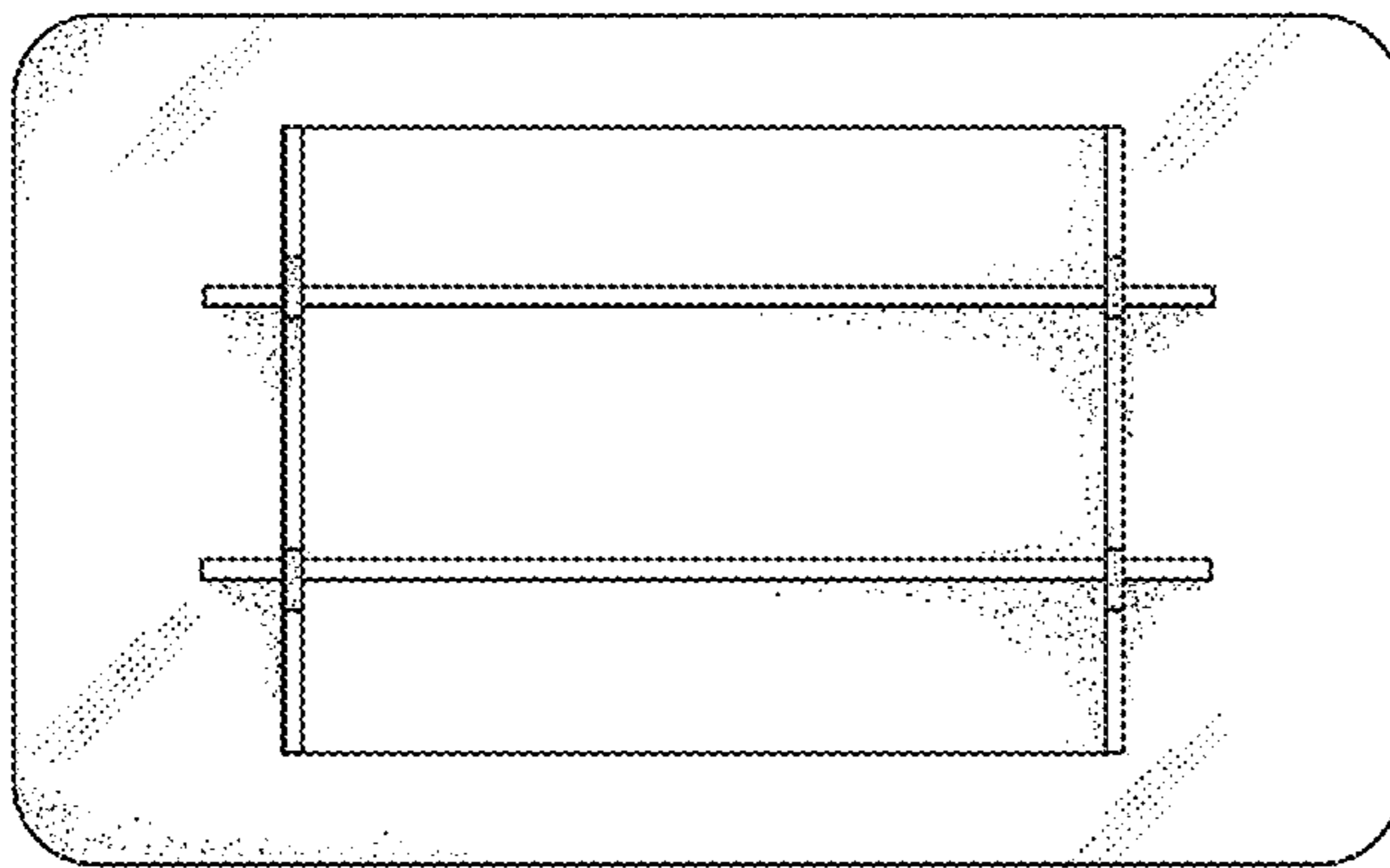
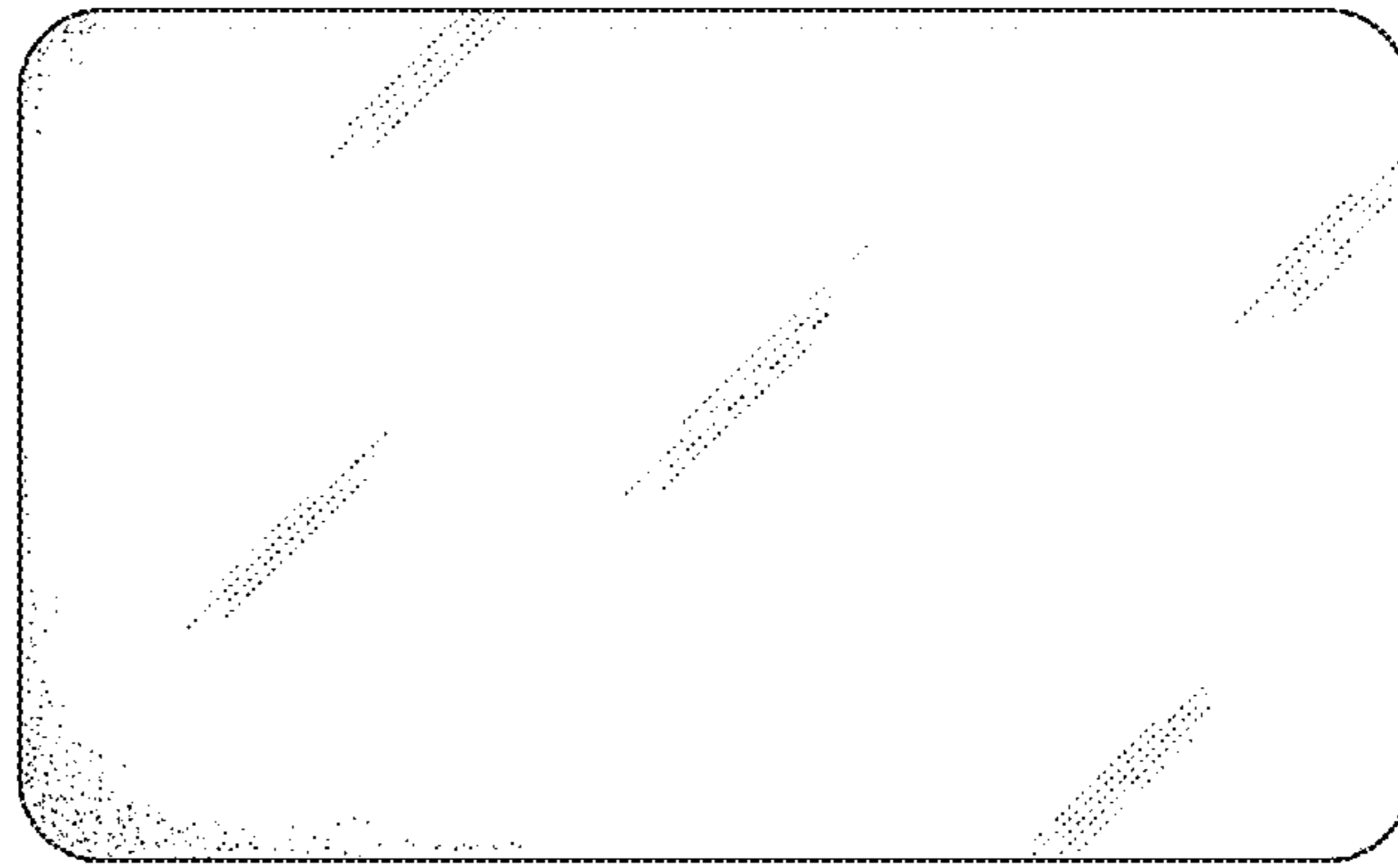


*Fig. 2*

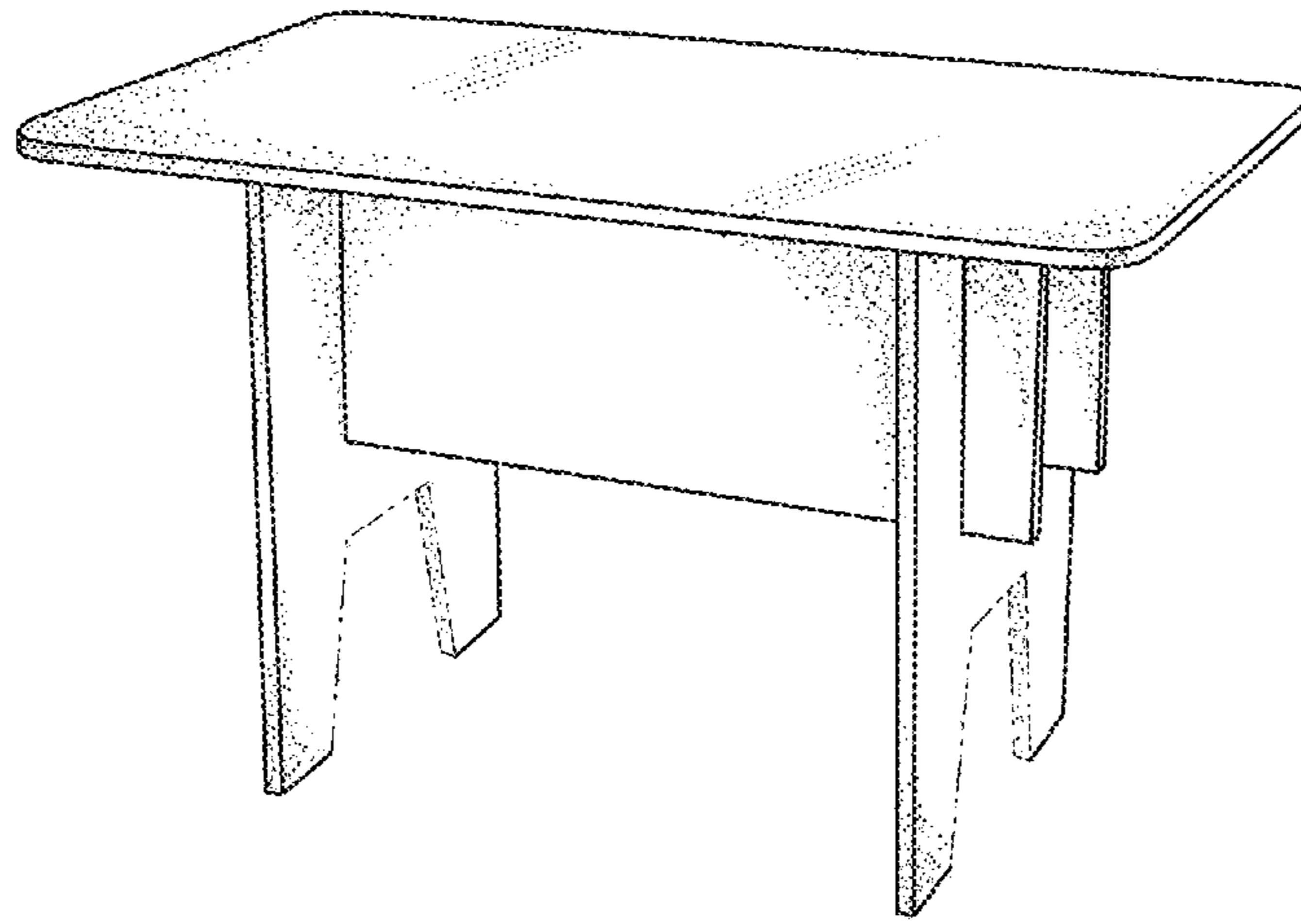


*Fig. 3*

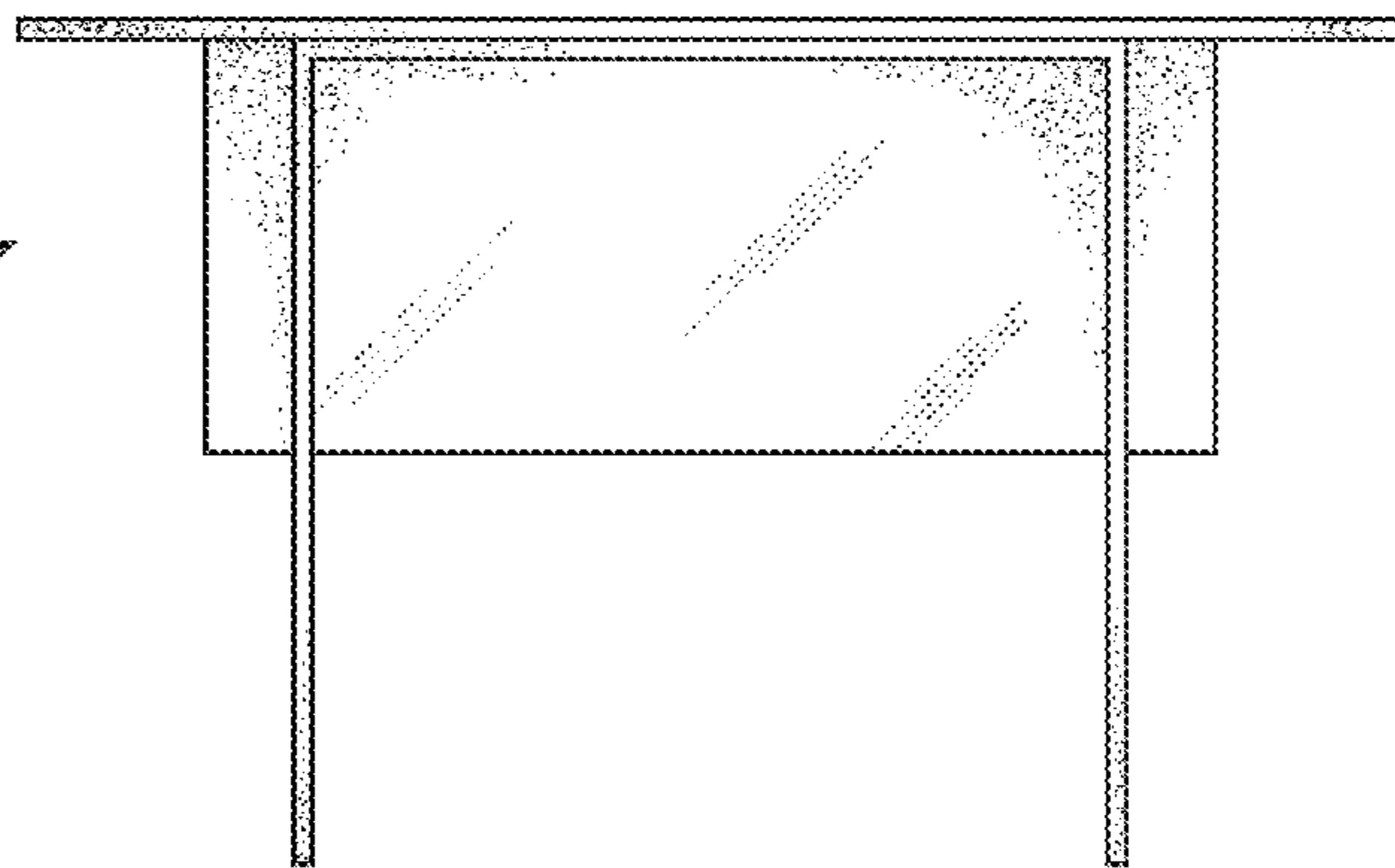
*Fig. 4*



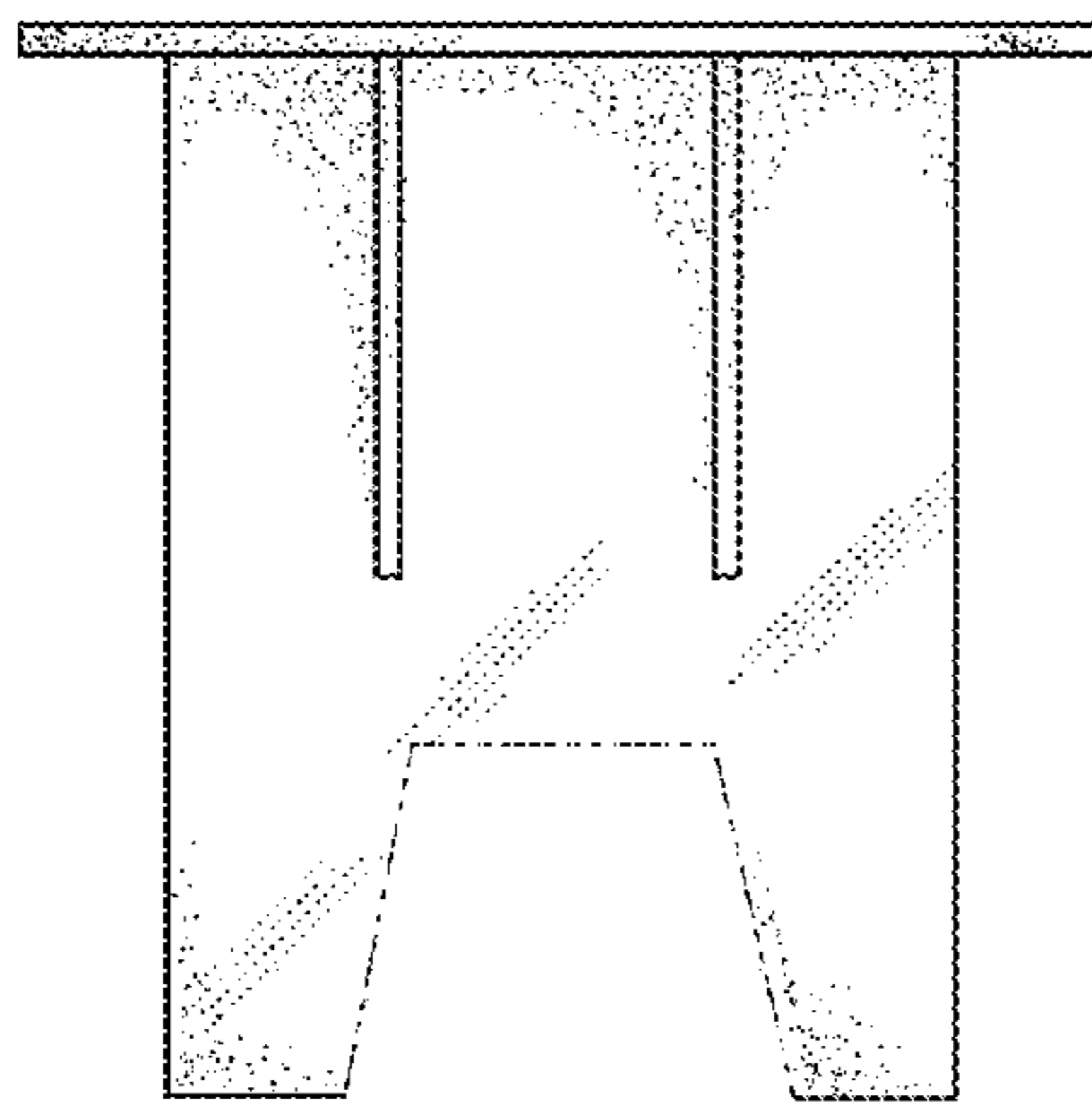
*Fig. 5*



*Fig. 6*

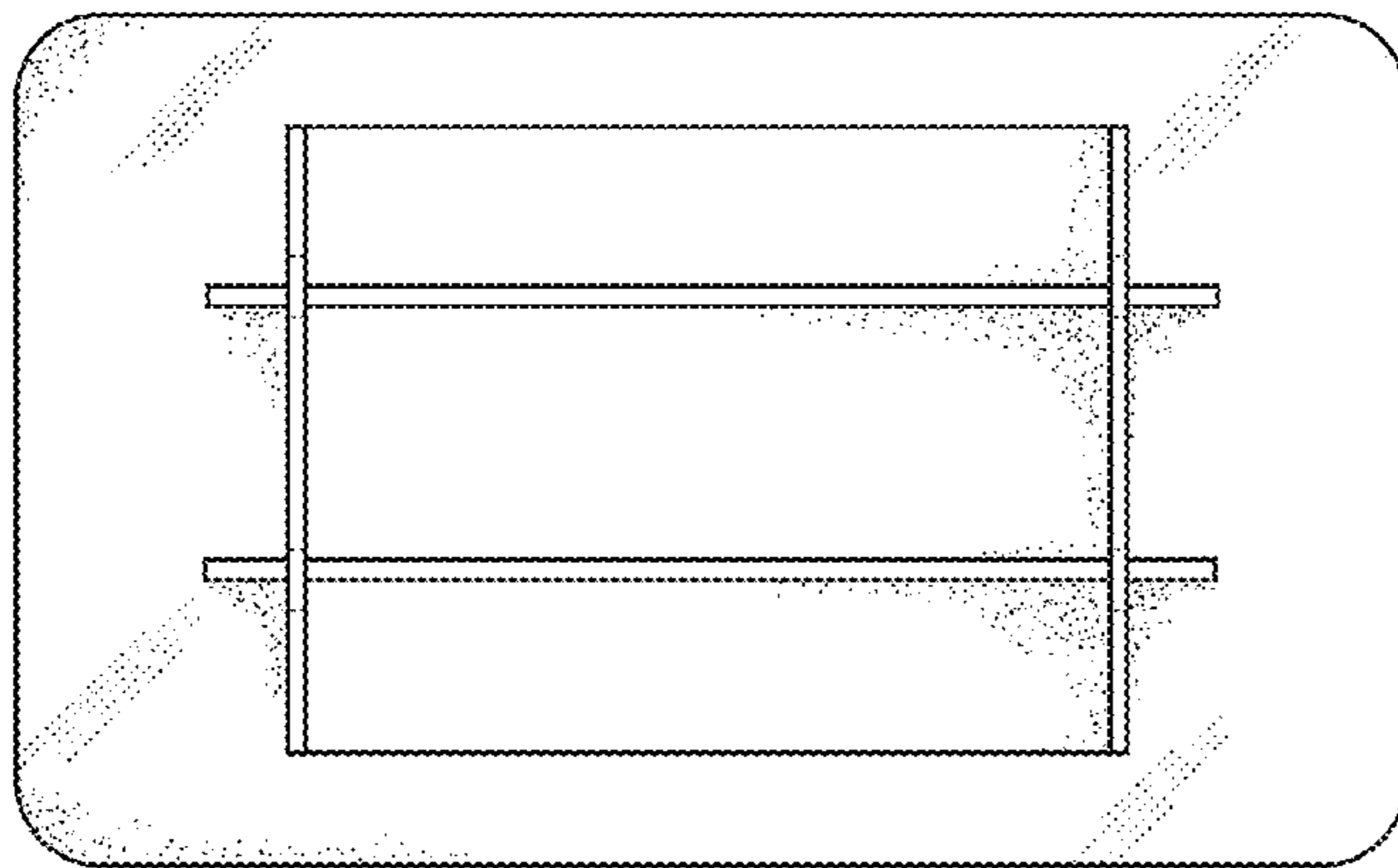
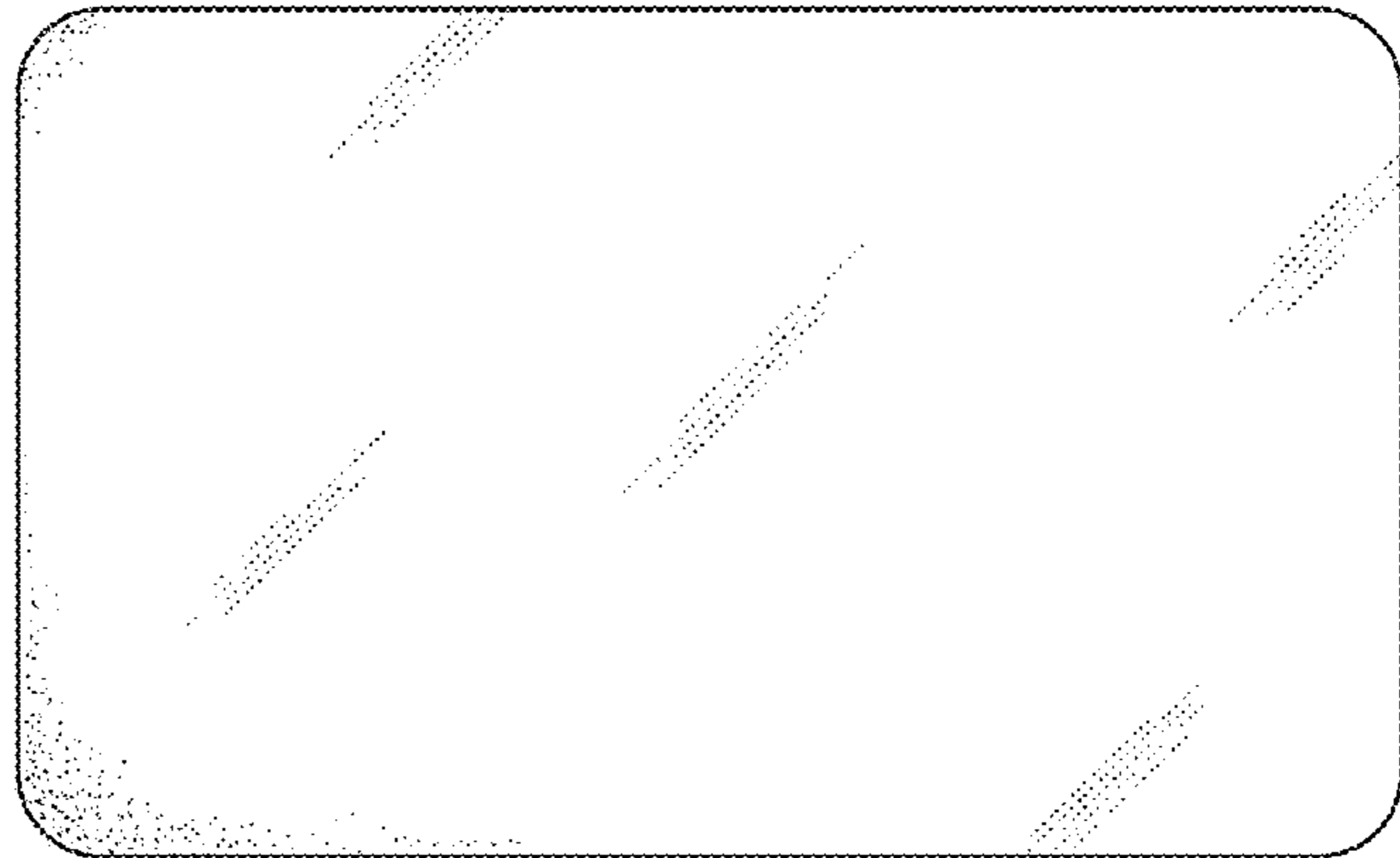


*Fig. 7*

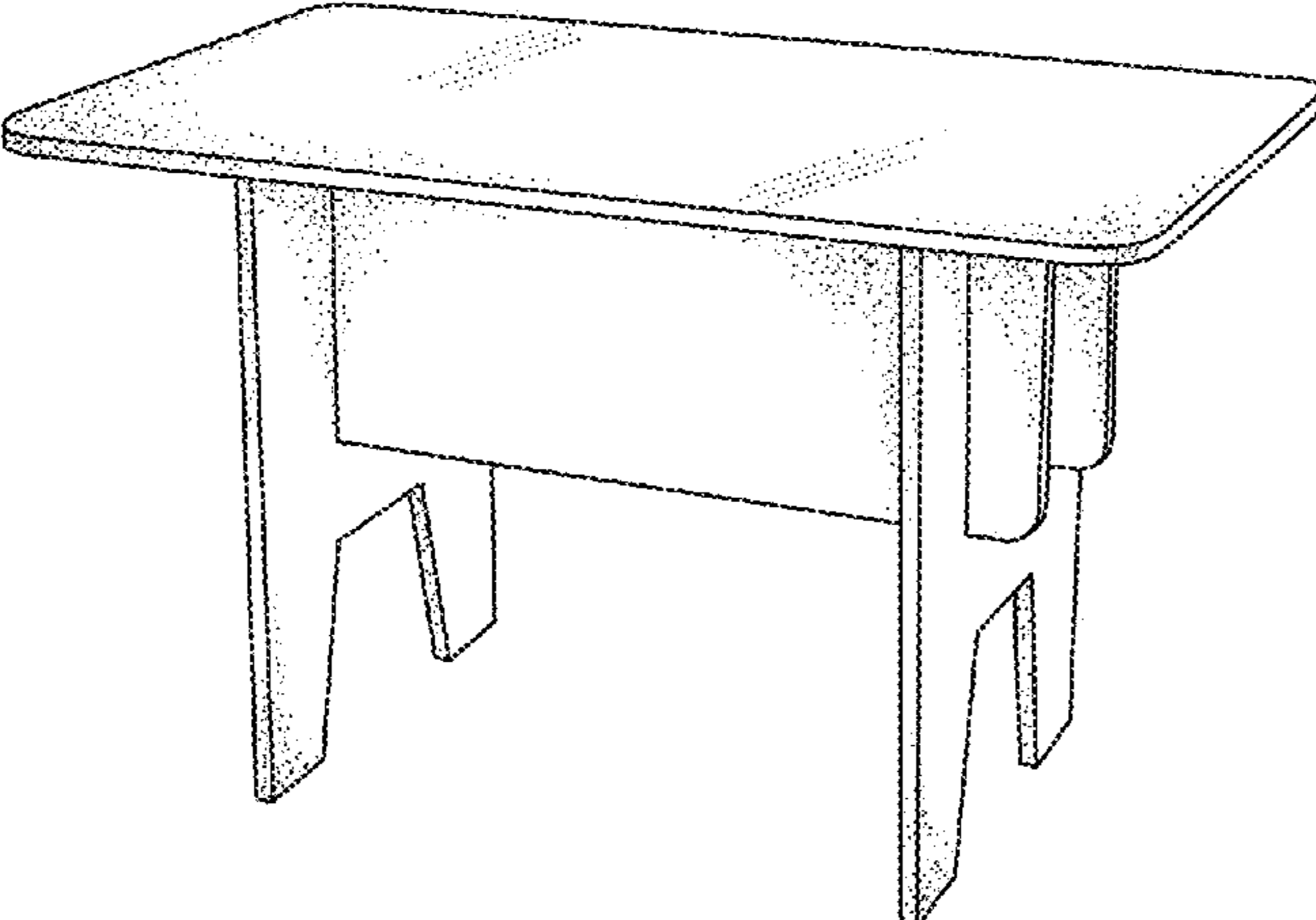


*Fig. 8*

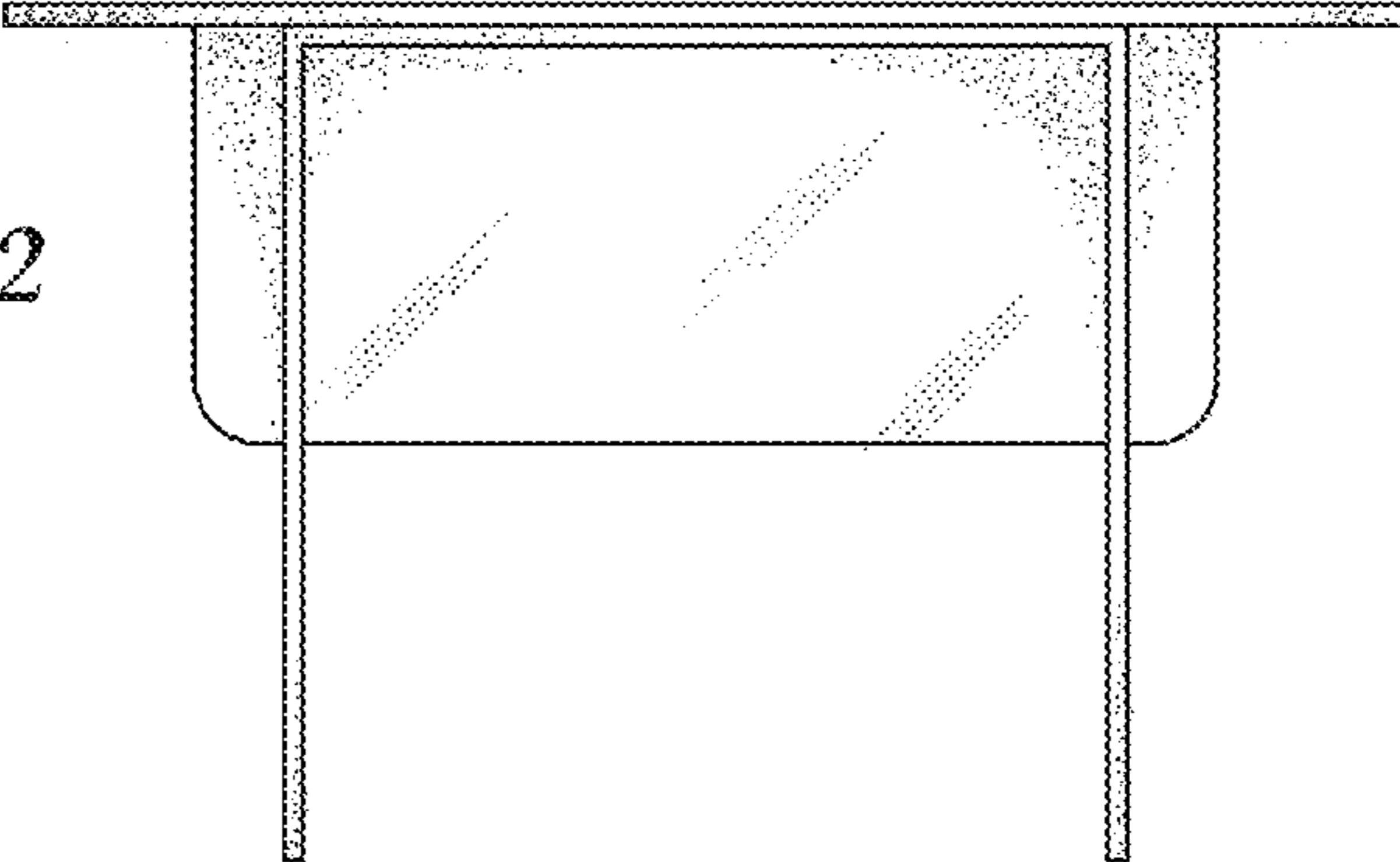
*Fig. 9*



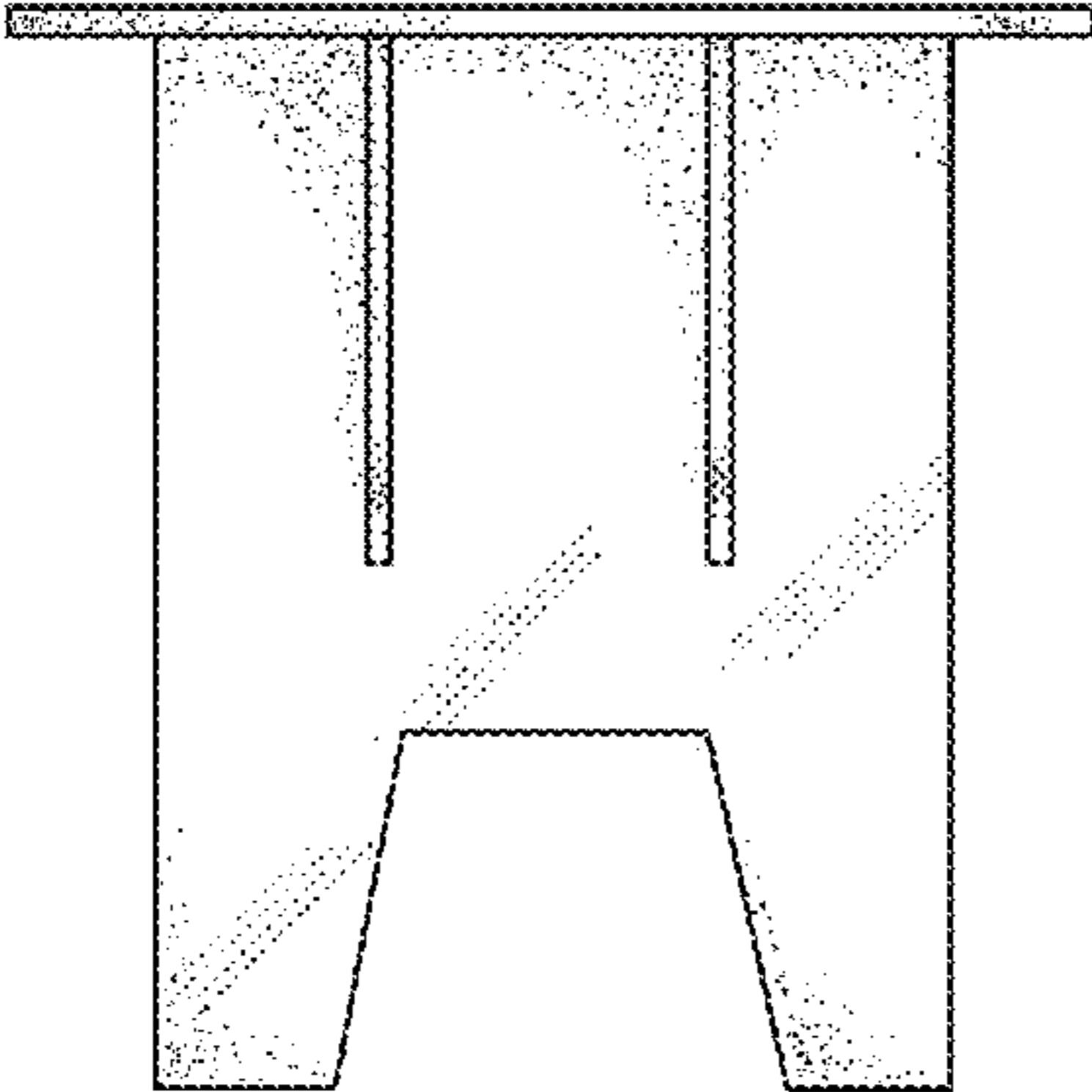
*Fig. 10*



*Fig. 11*

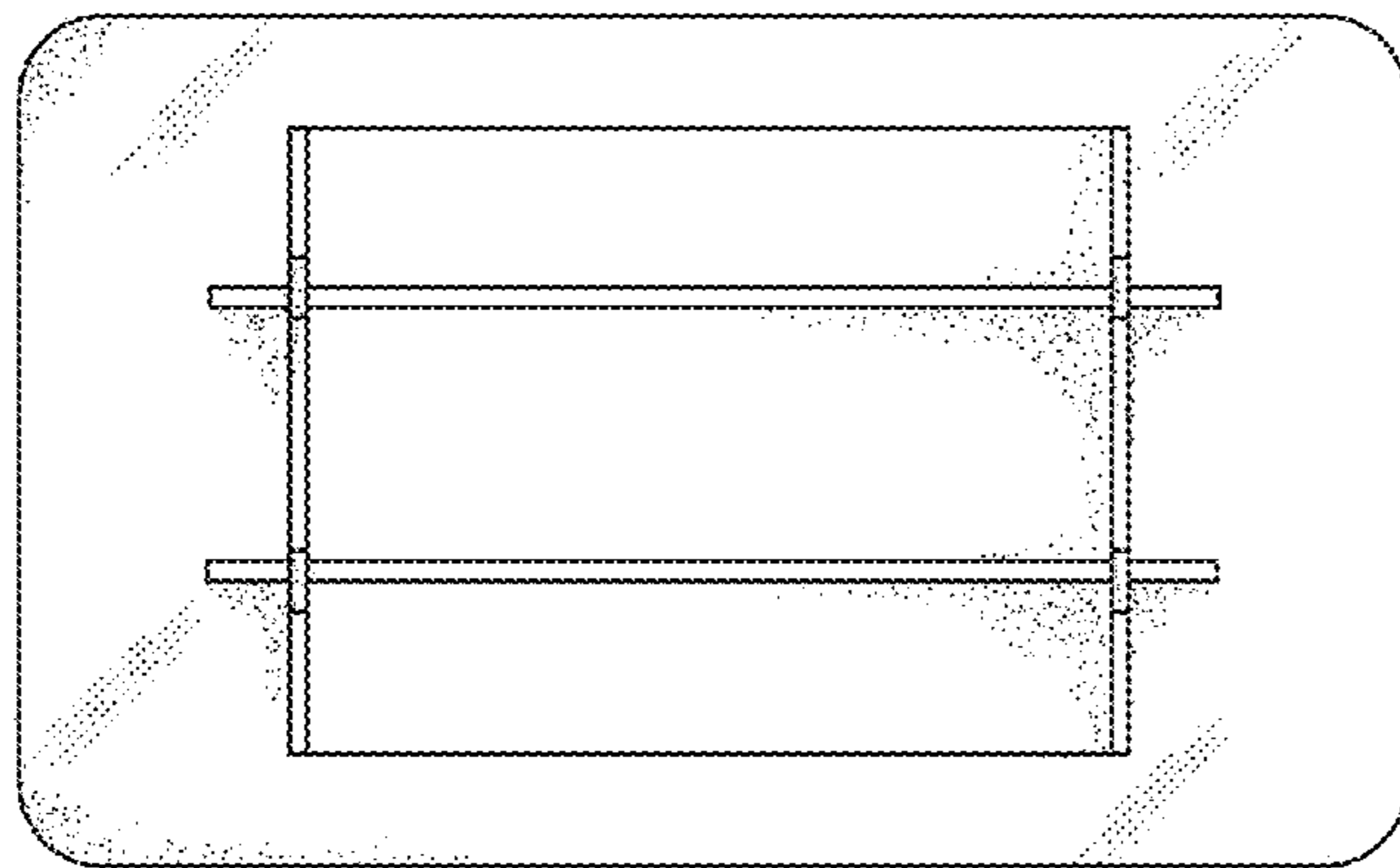


*Fig. 12*



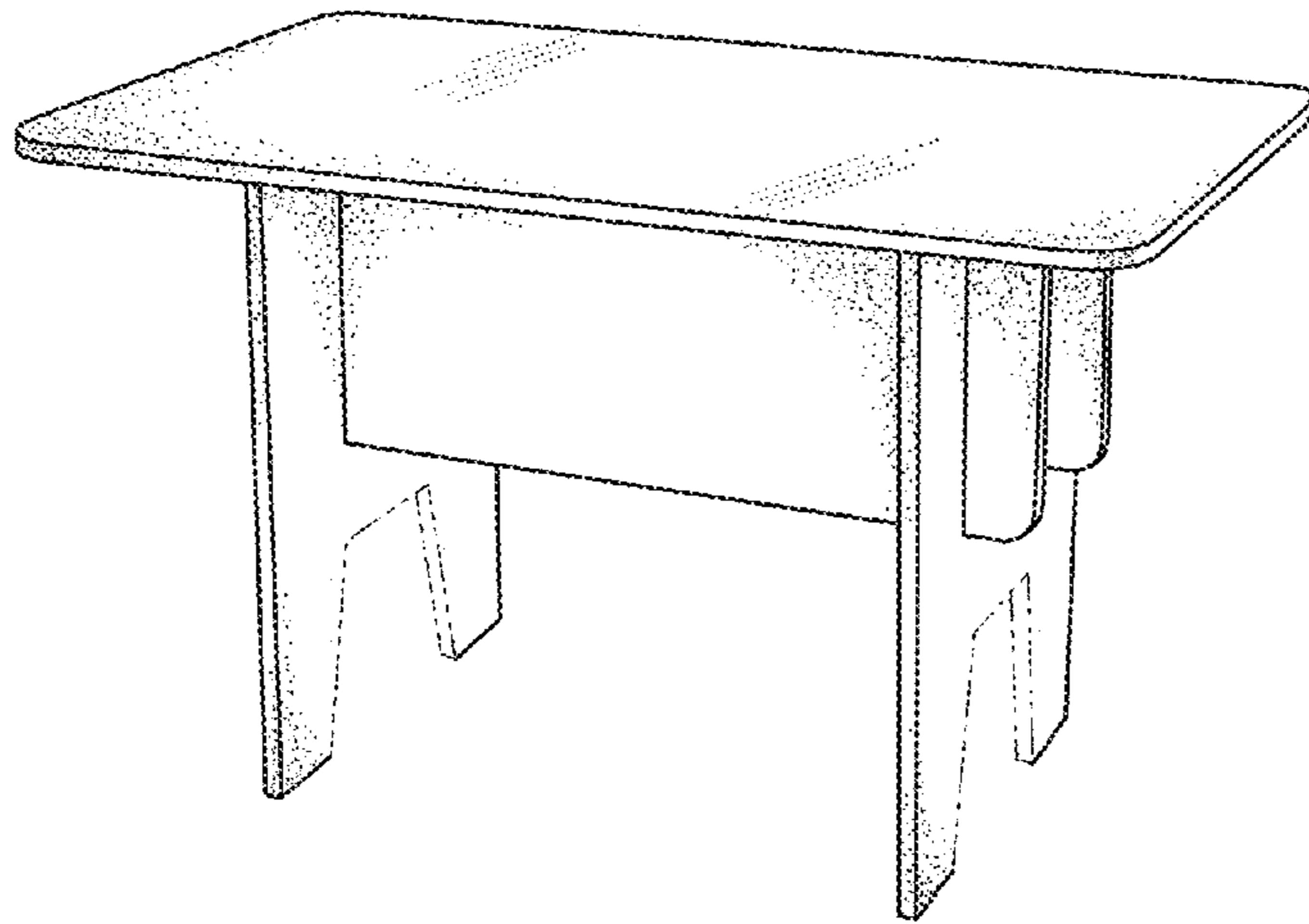
*Fig. 13*

*Fig. 14*

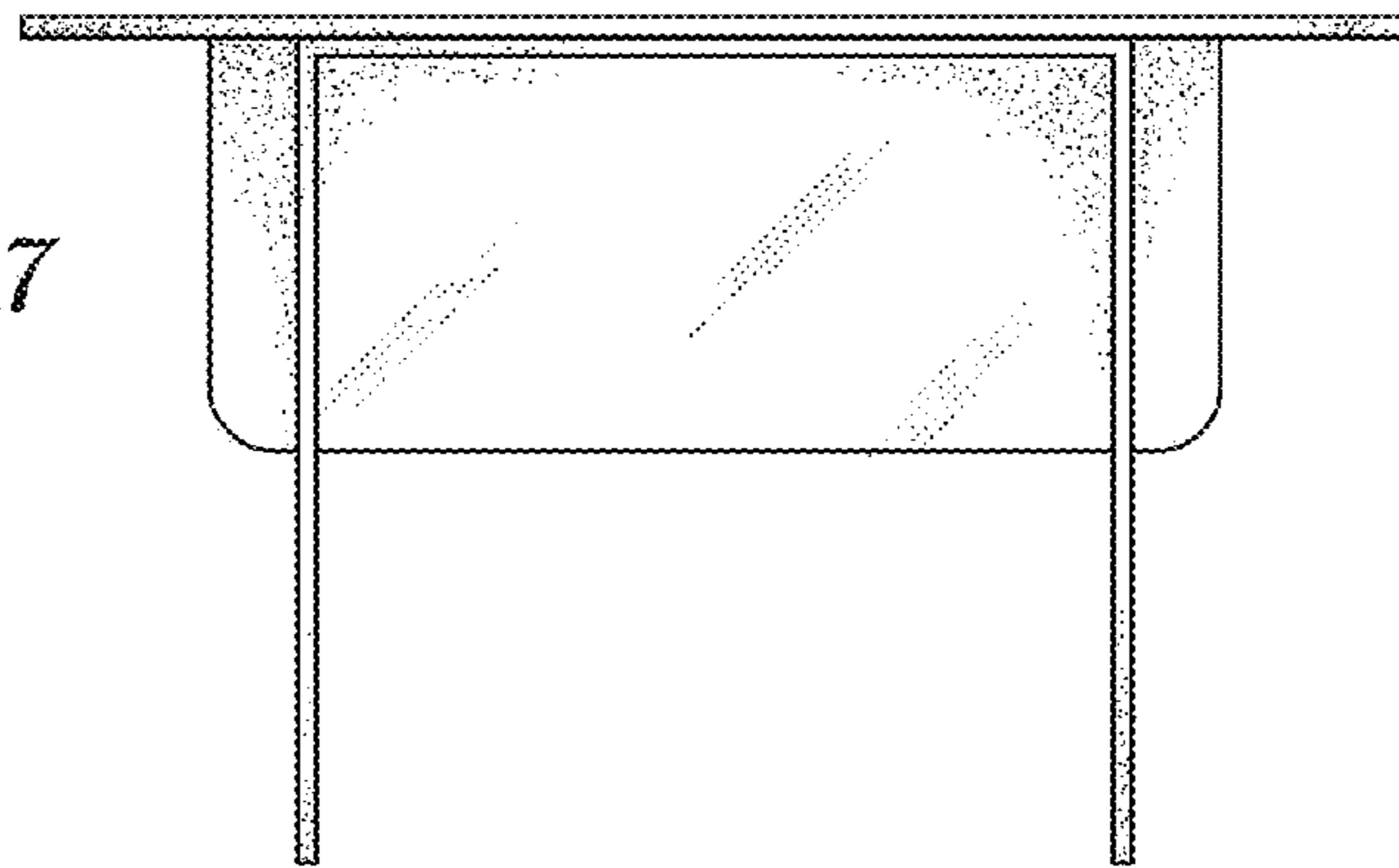


*Fig. 15*

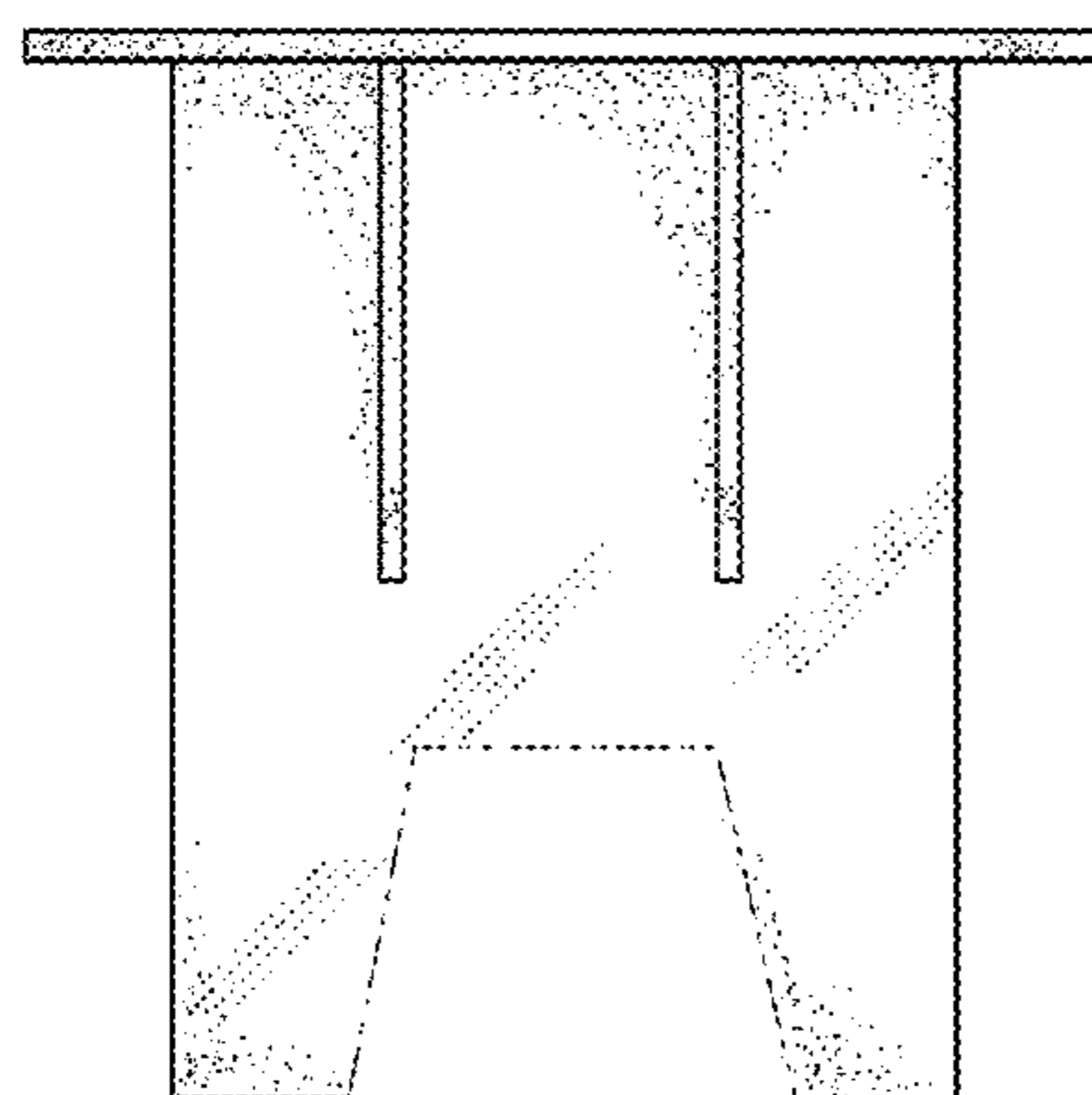




*Fig. 16*

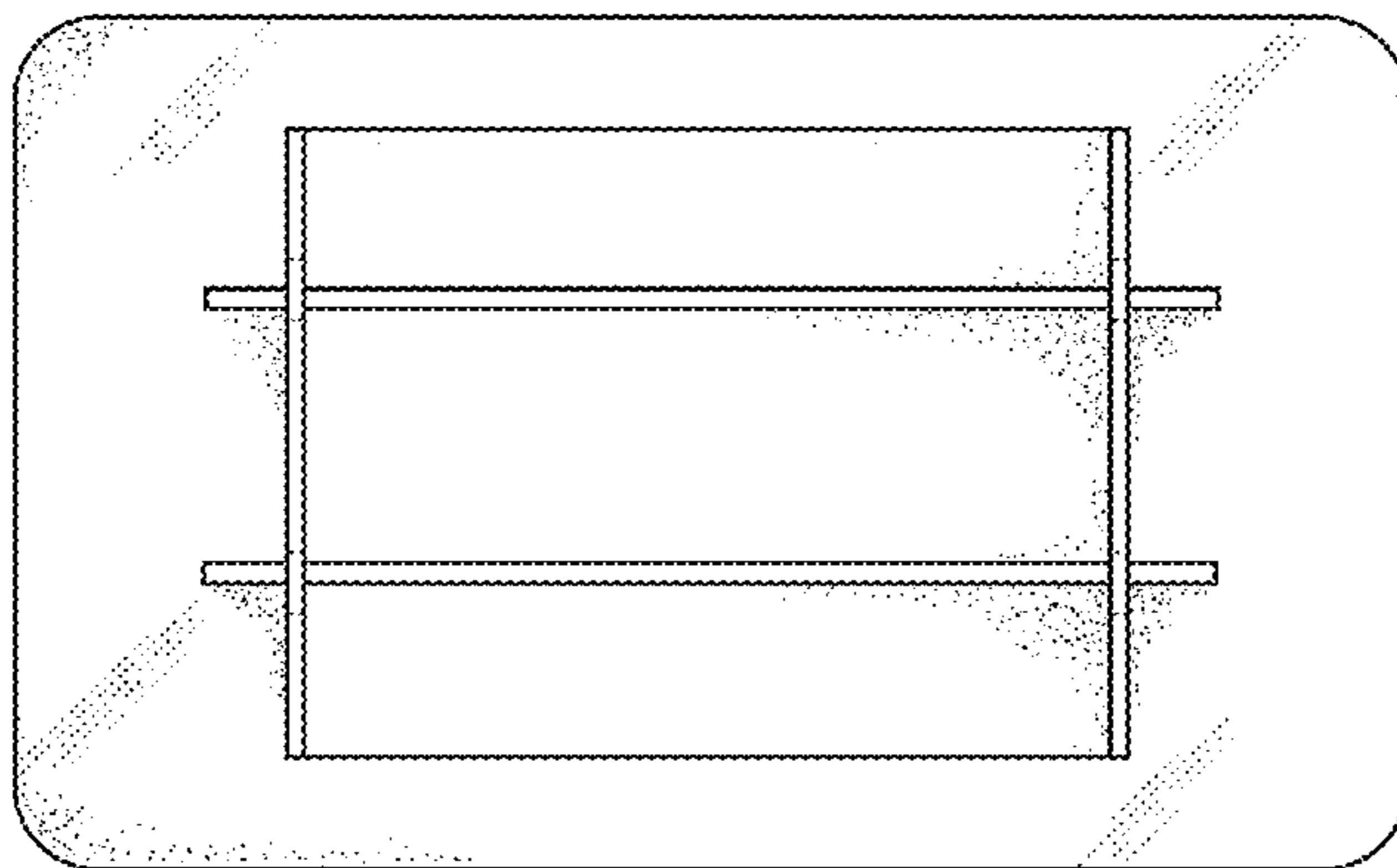


*Fig. 17*

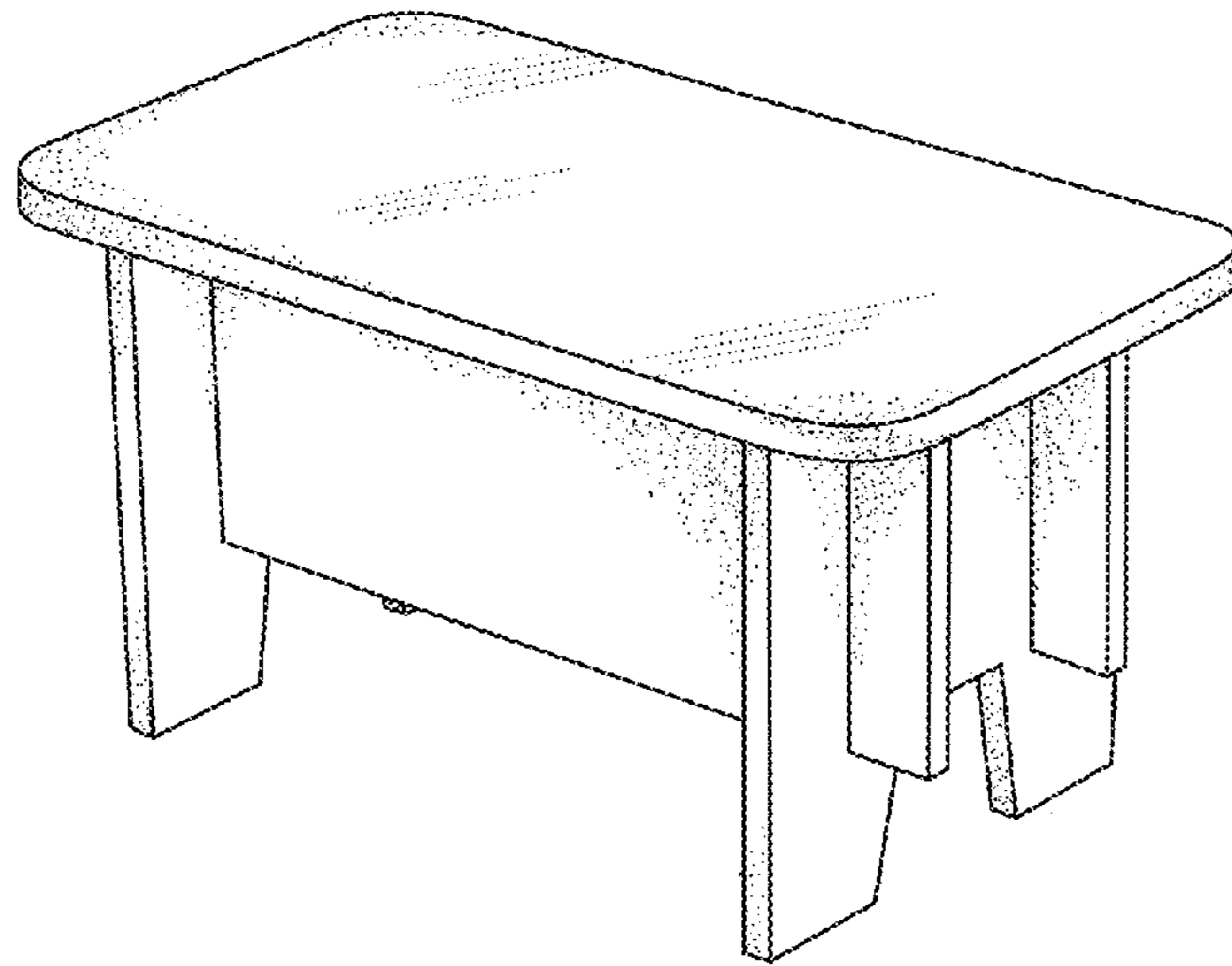


*Fig. 18*

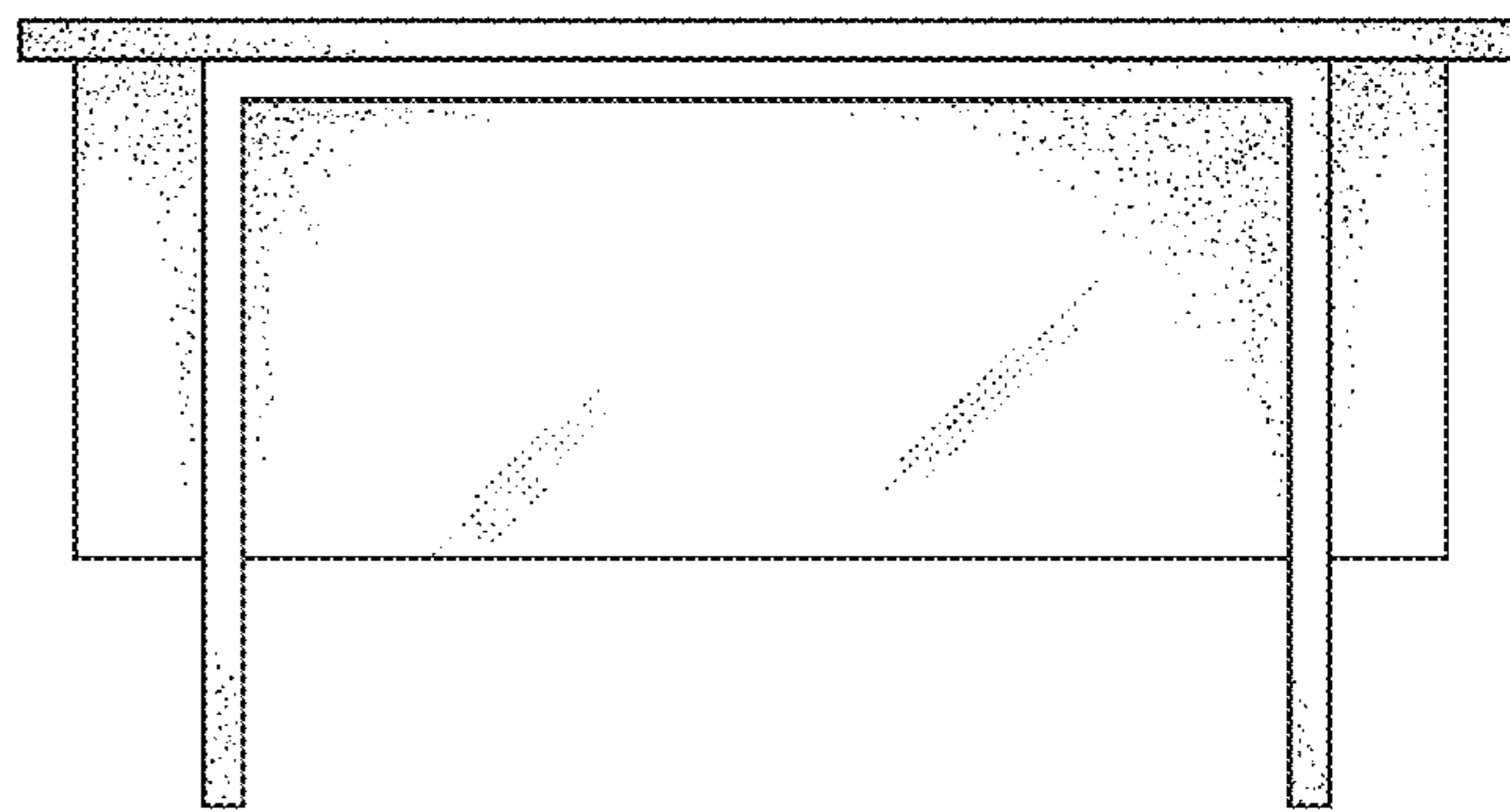
*Fig. 19*



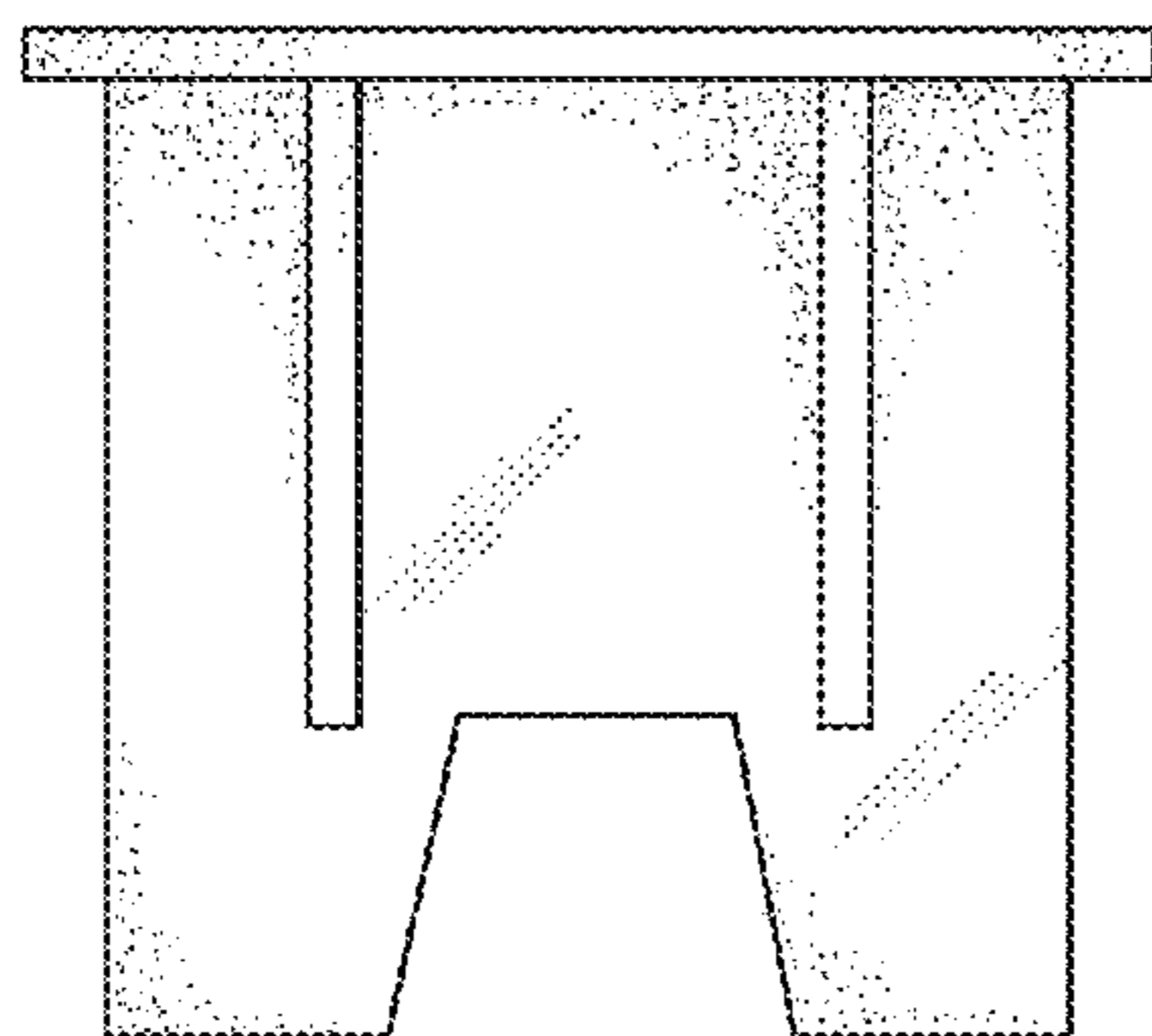
*Fig. 20*



*Fig. 21*

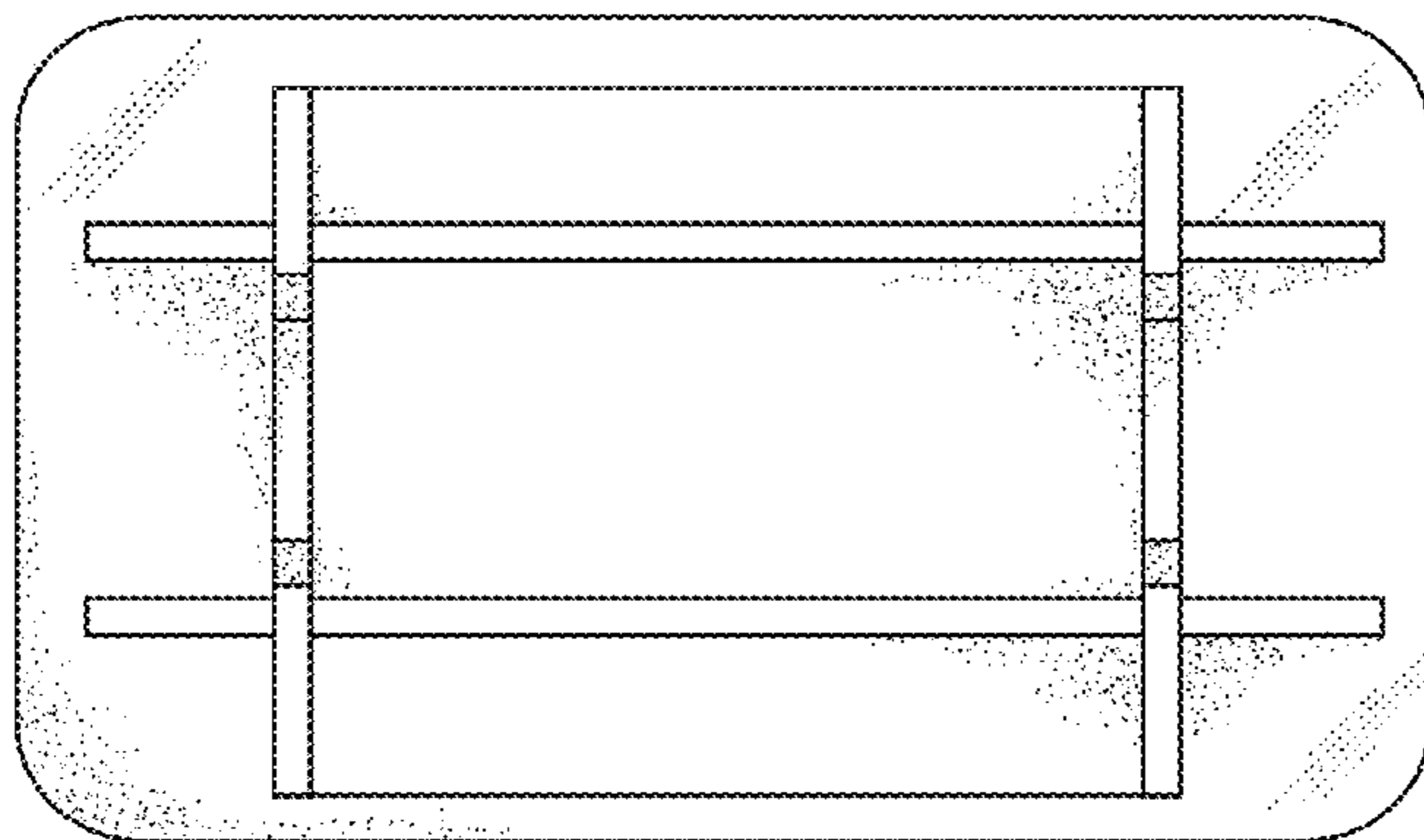
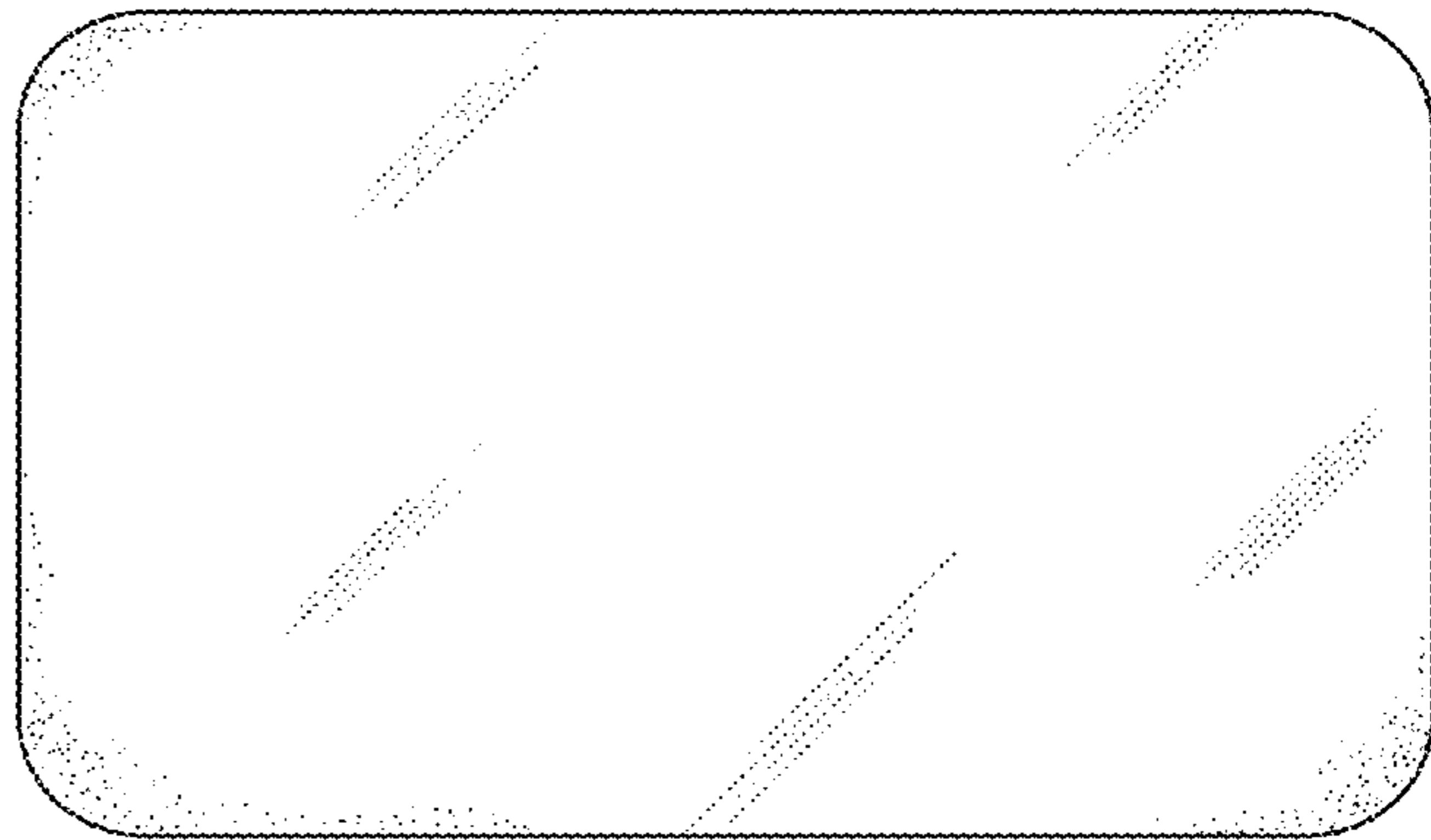


*Fig. 22*

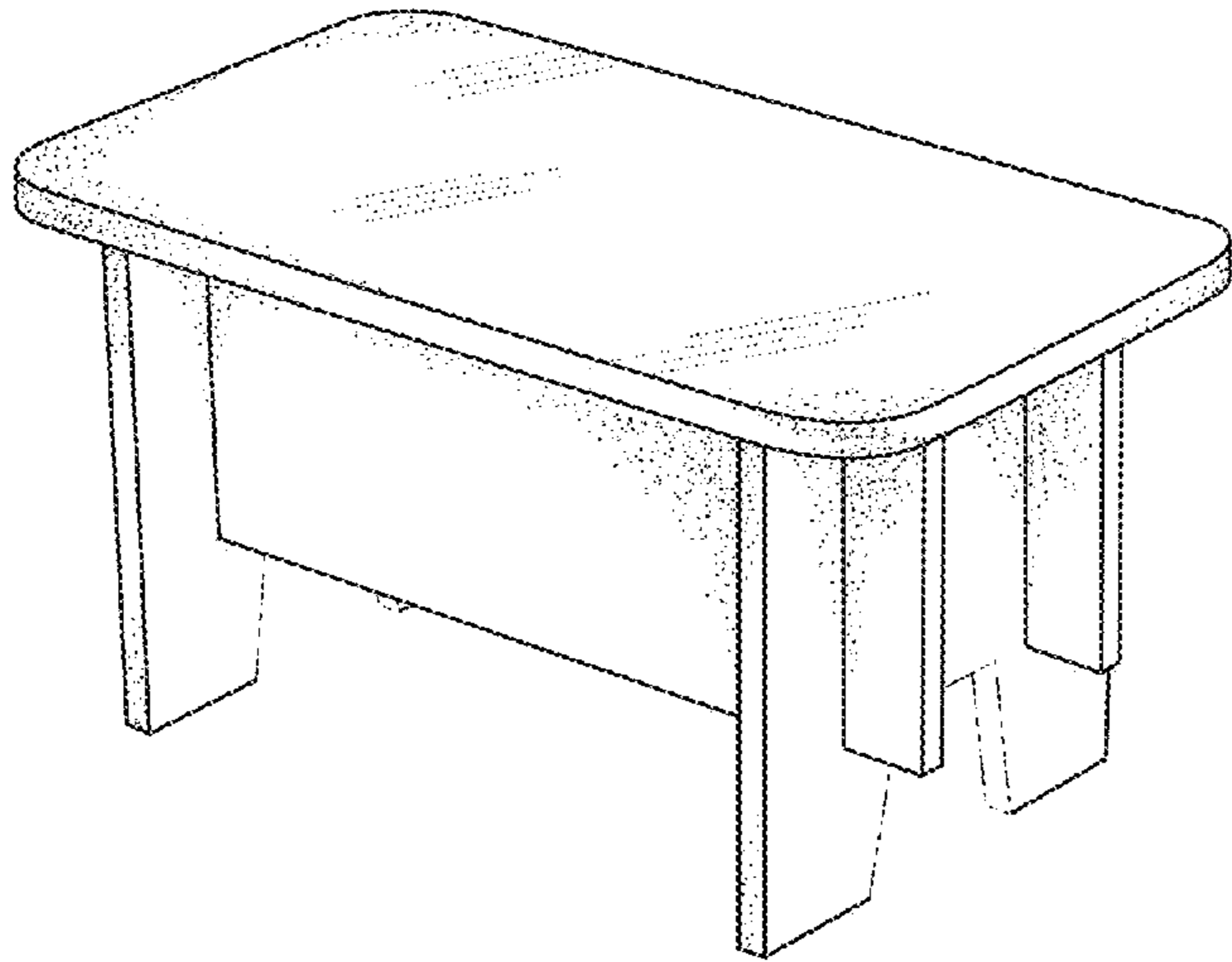


*Fig. 23*

*Fig. 24*

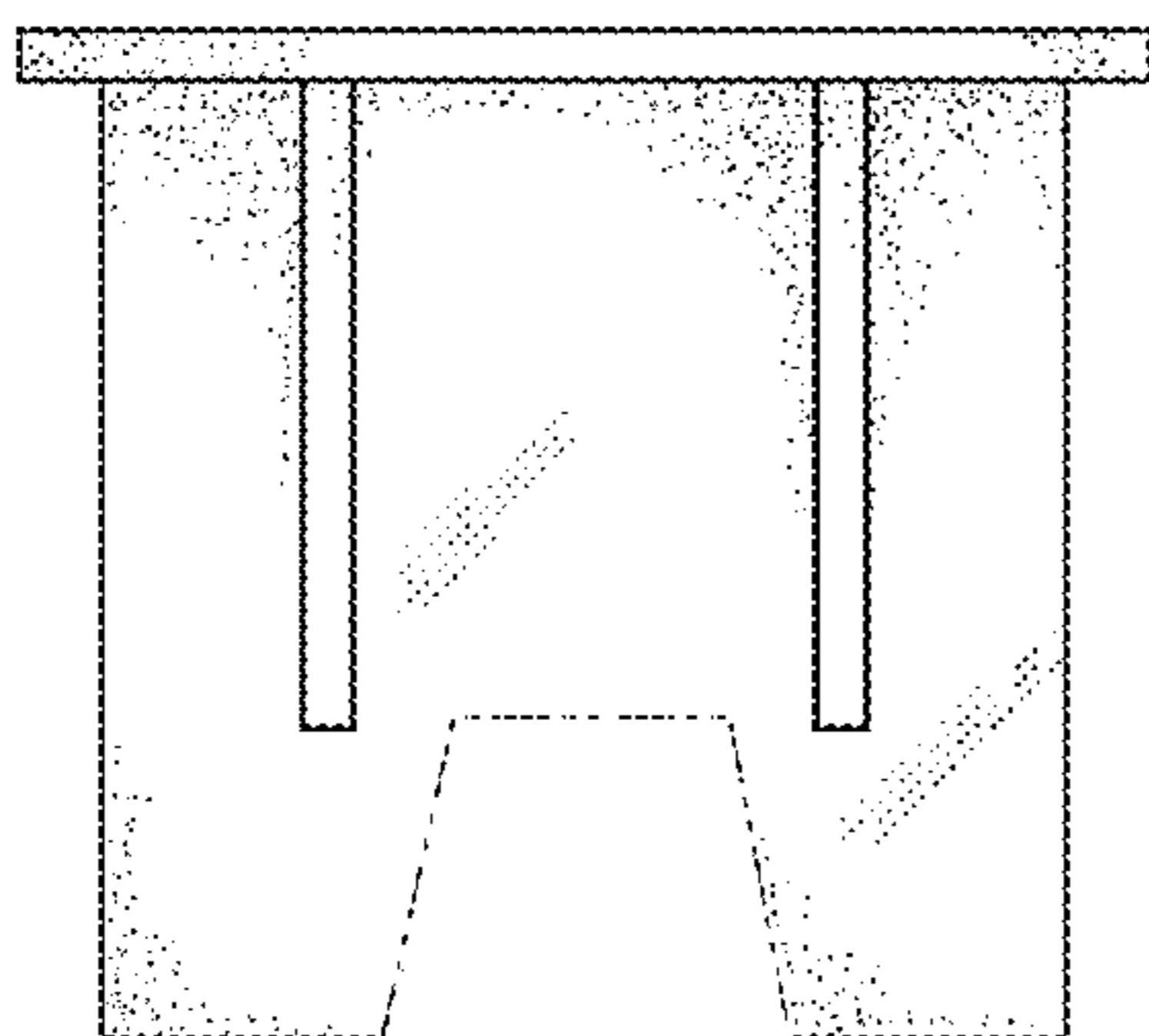
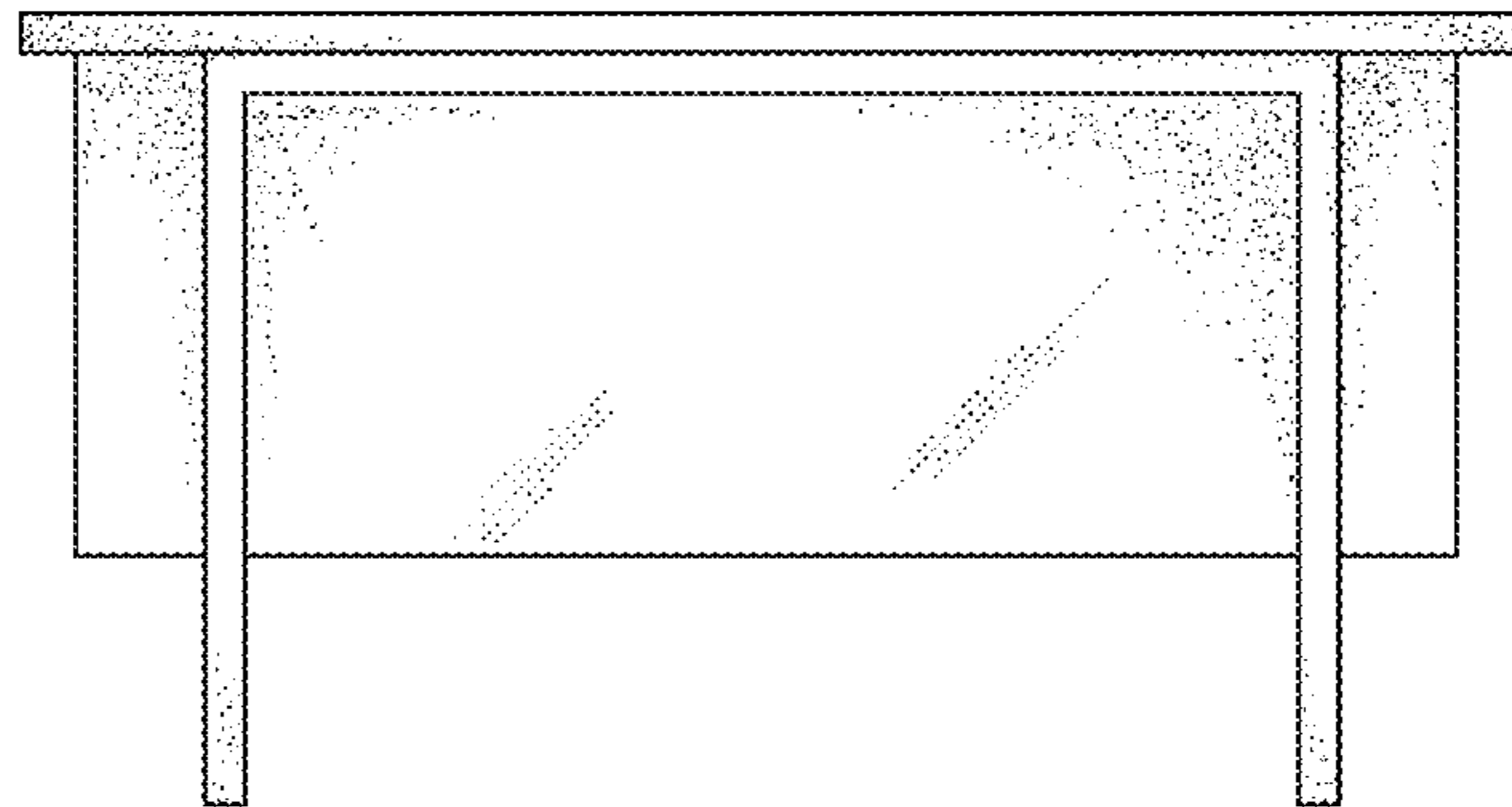


*Fig. 25*



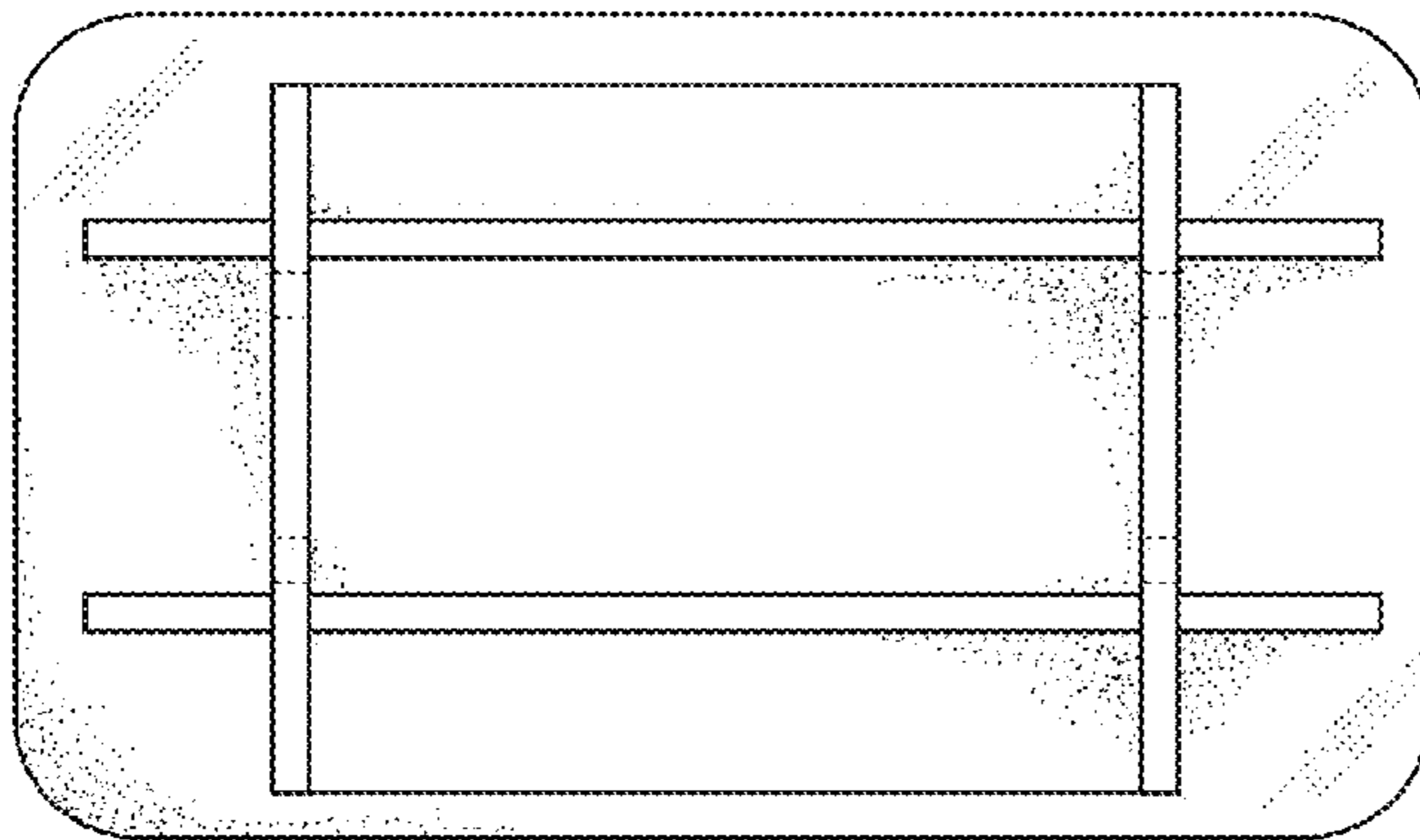
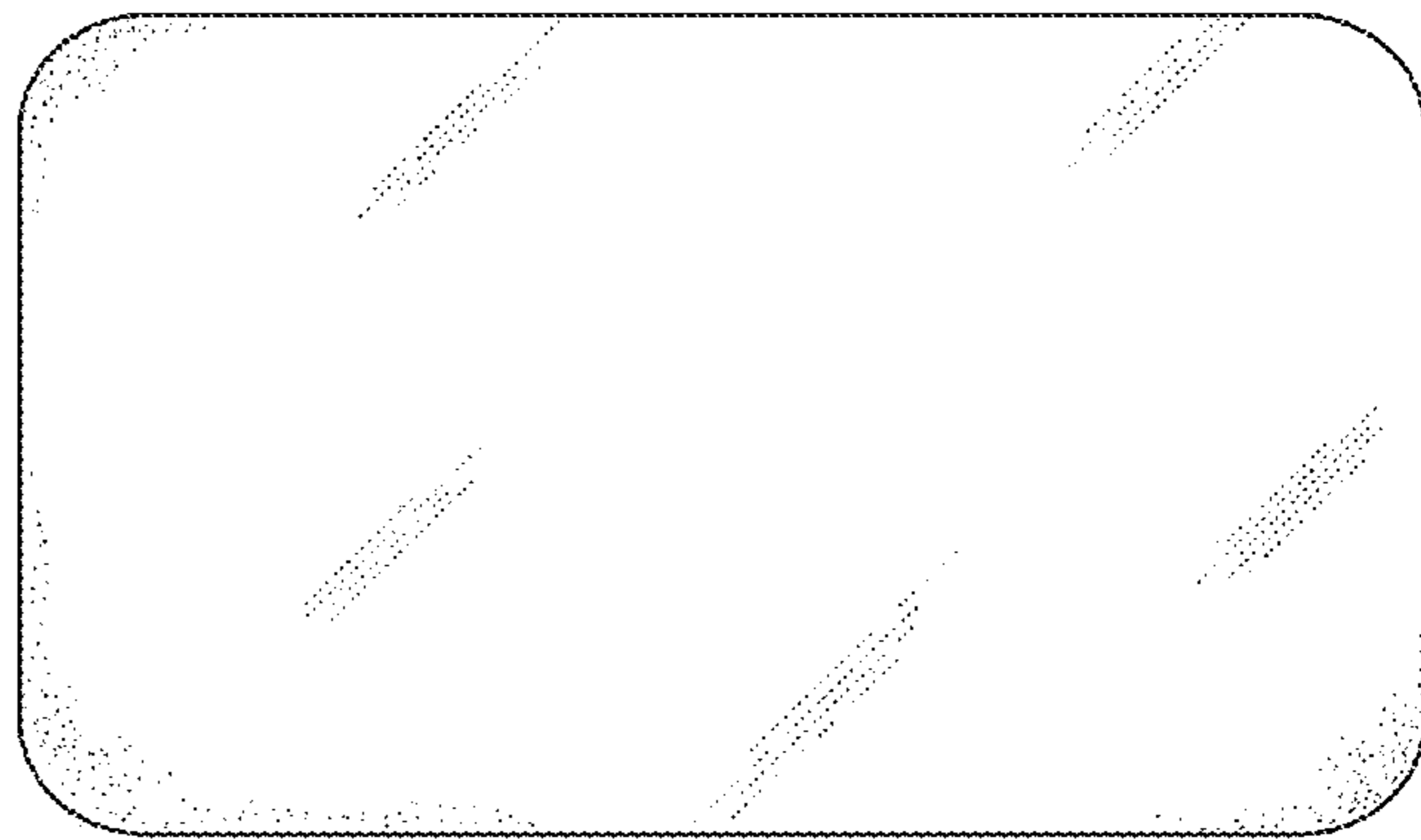
*Fig. 26*

*Fig. 27*

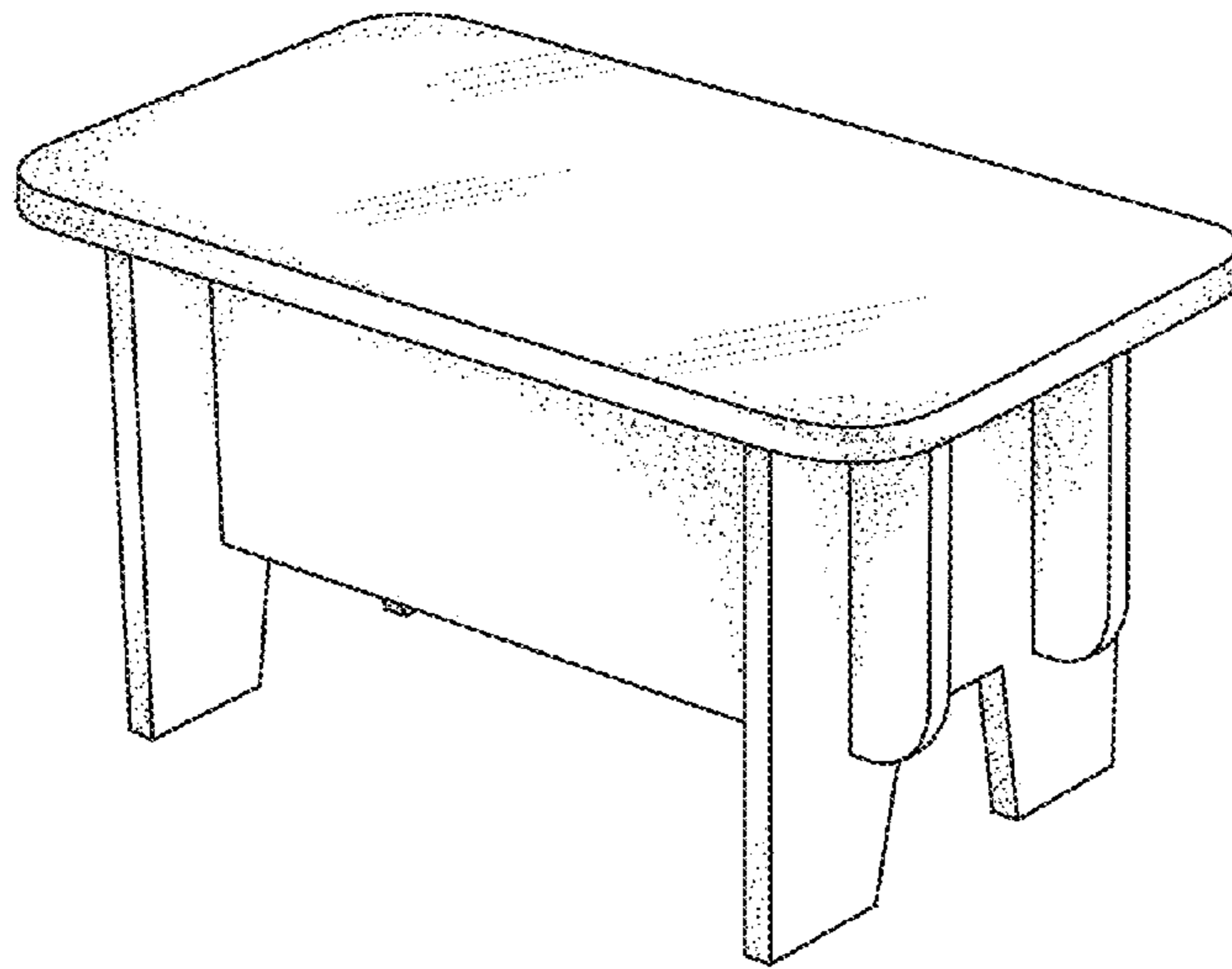


*Fig. 28*

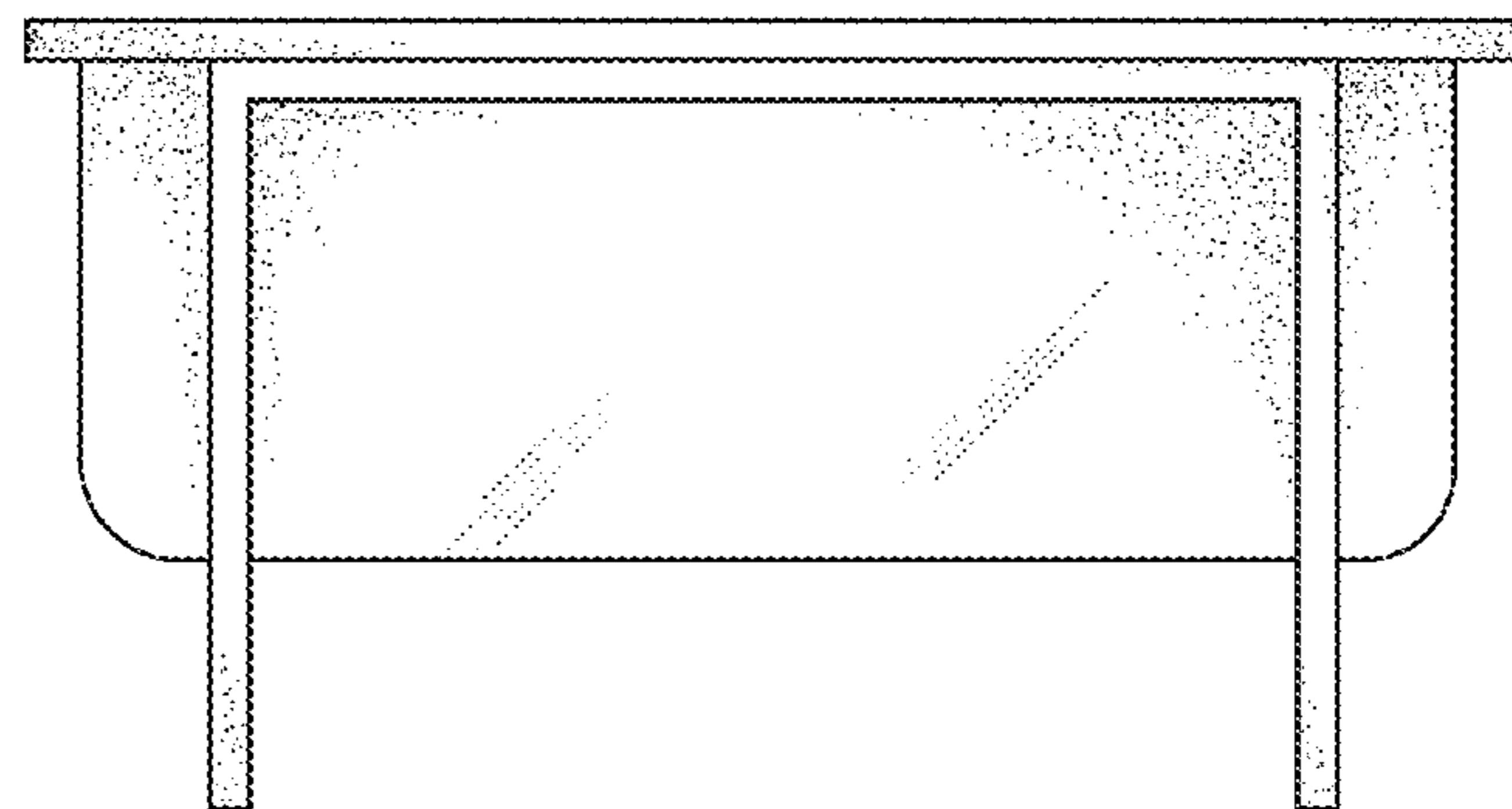
*Fig. 29*



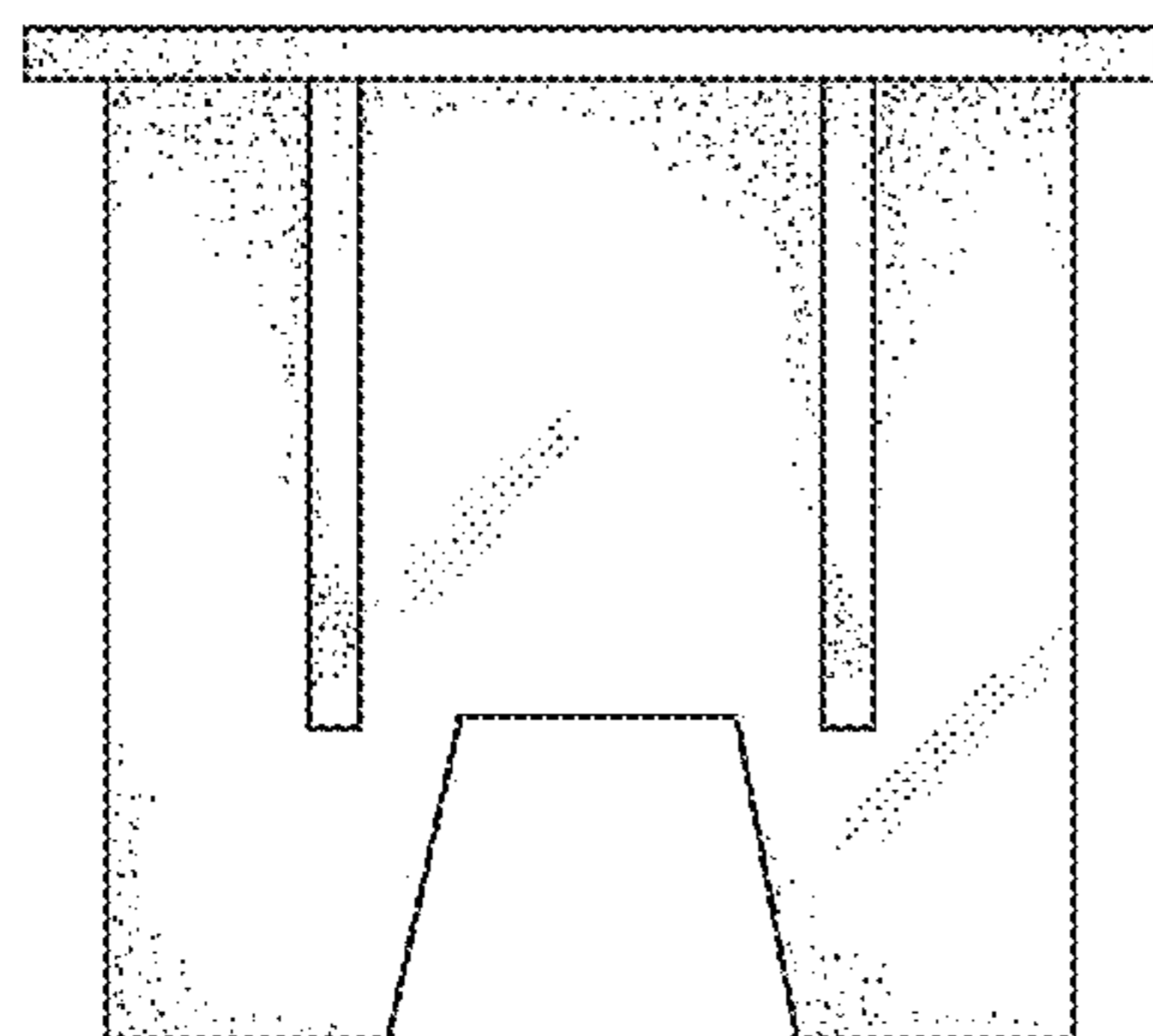
*Fig. 30*



*Fig. 31*

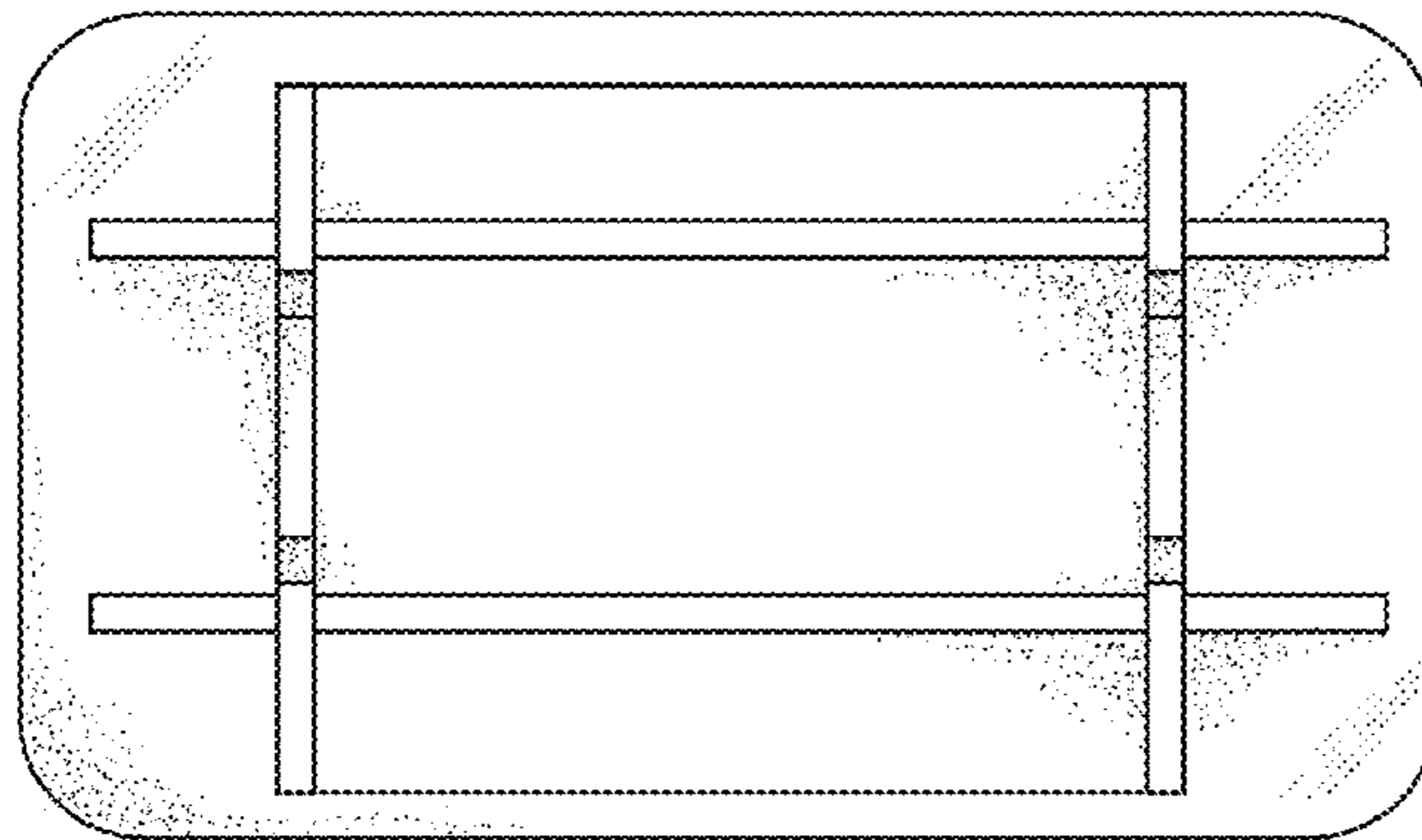
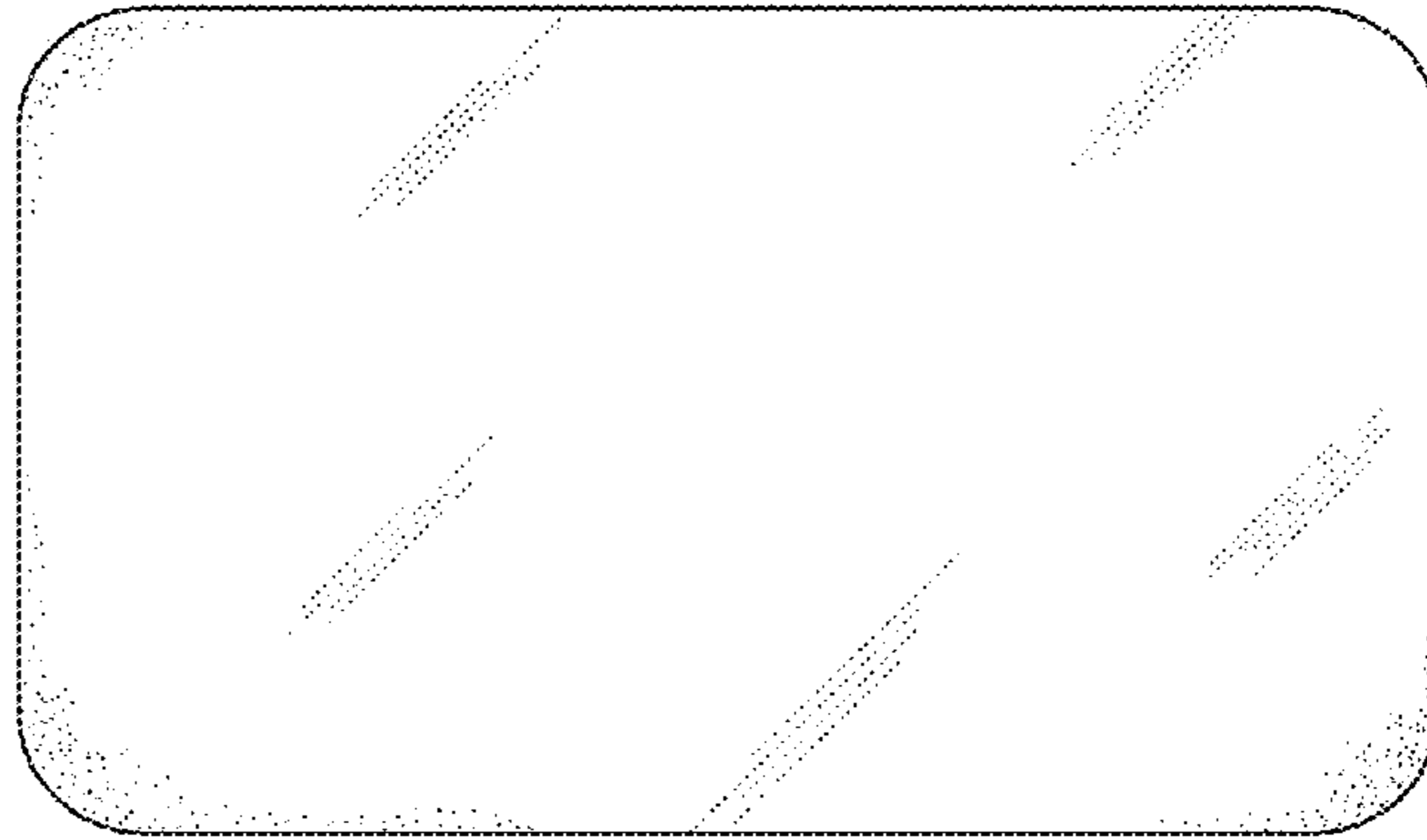


*Fig. 32*



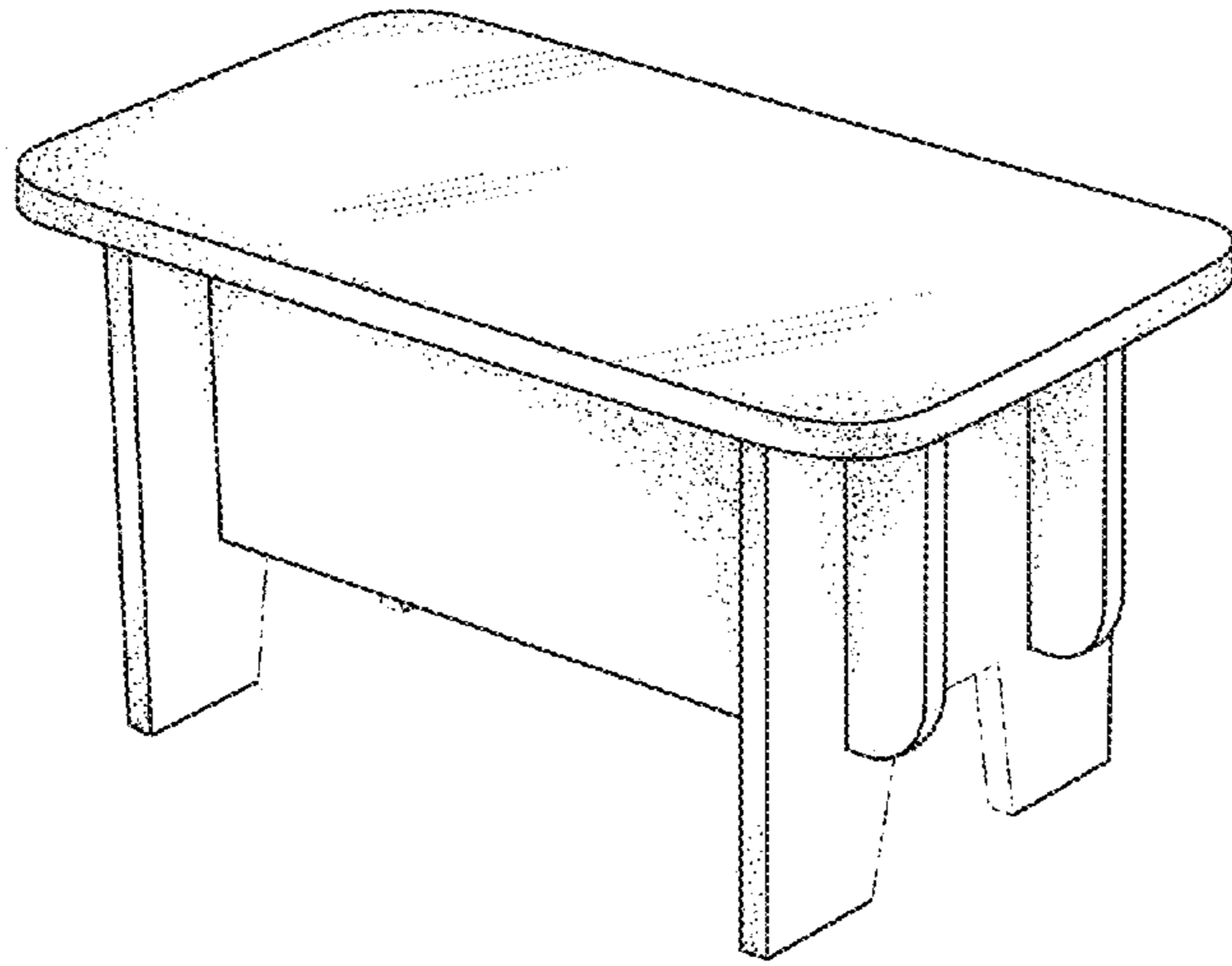
*Fig. 33*

*Fig. 34*

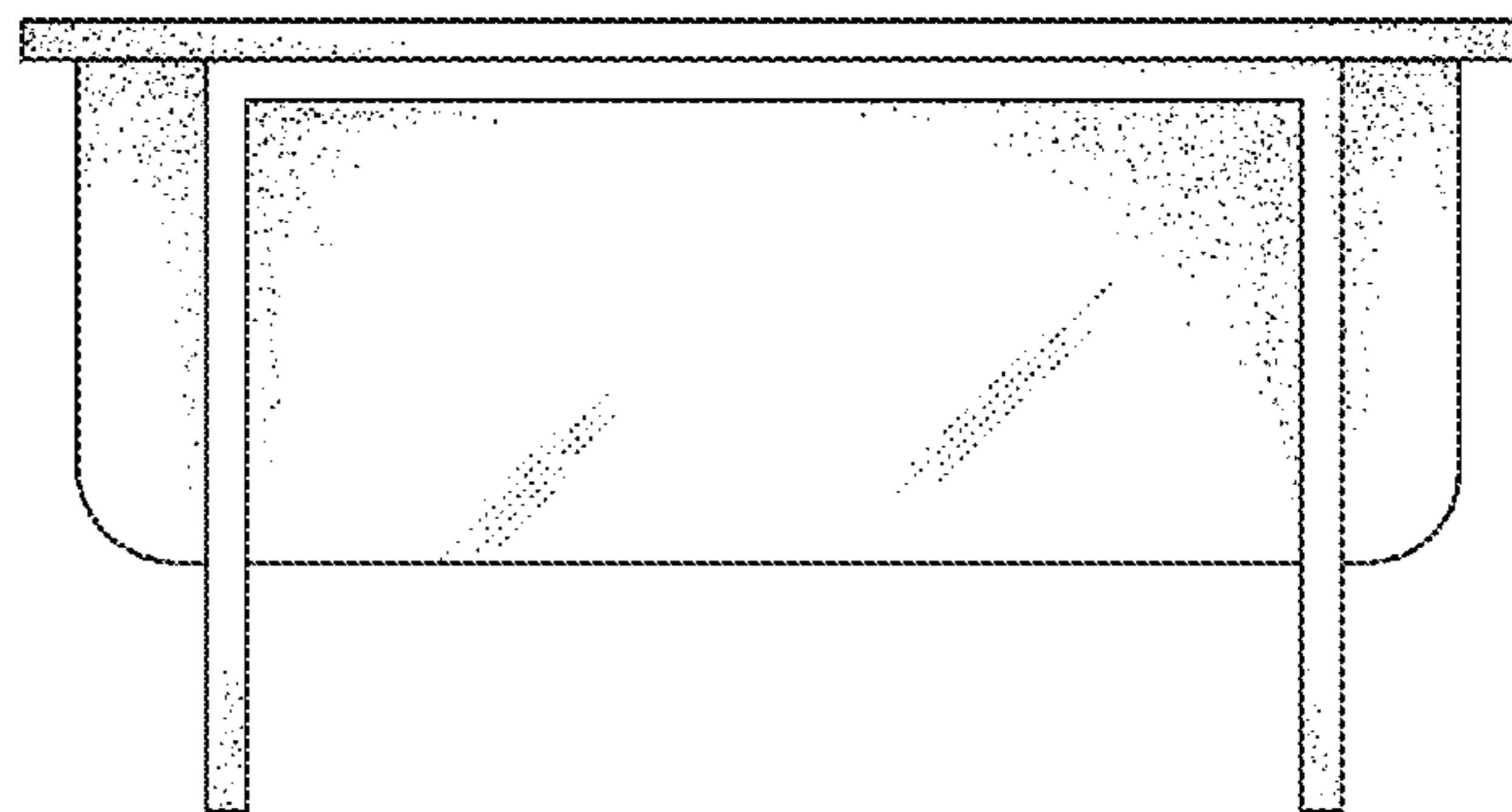


*Fig. 35*

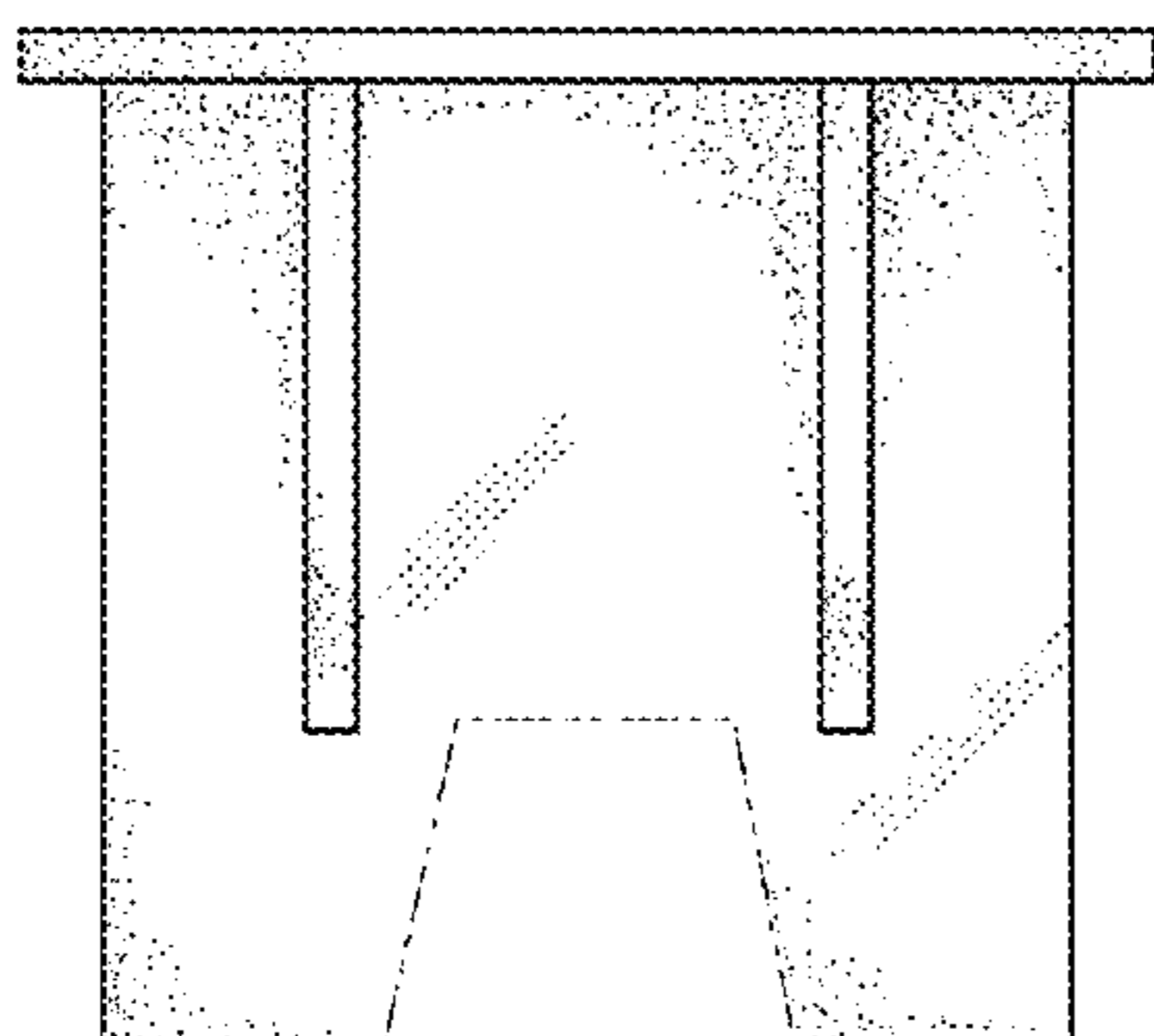




*Fig. 36*

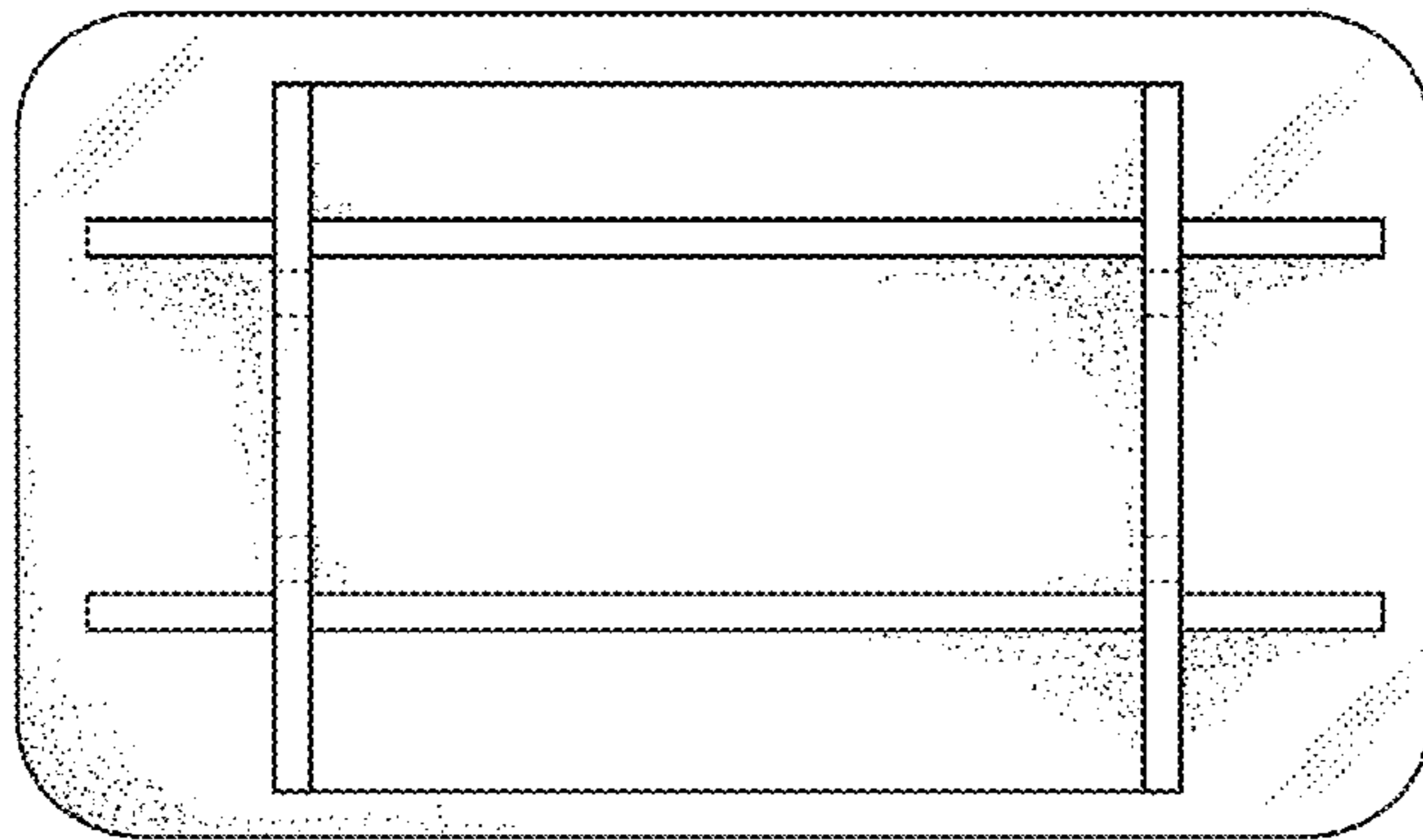
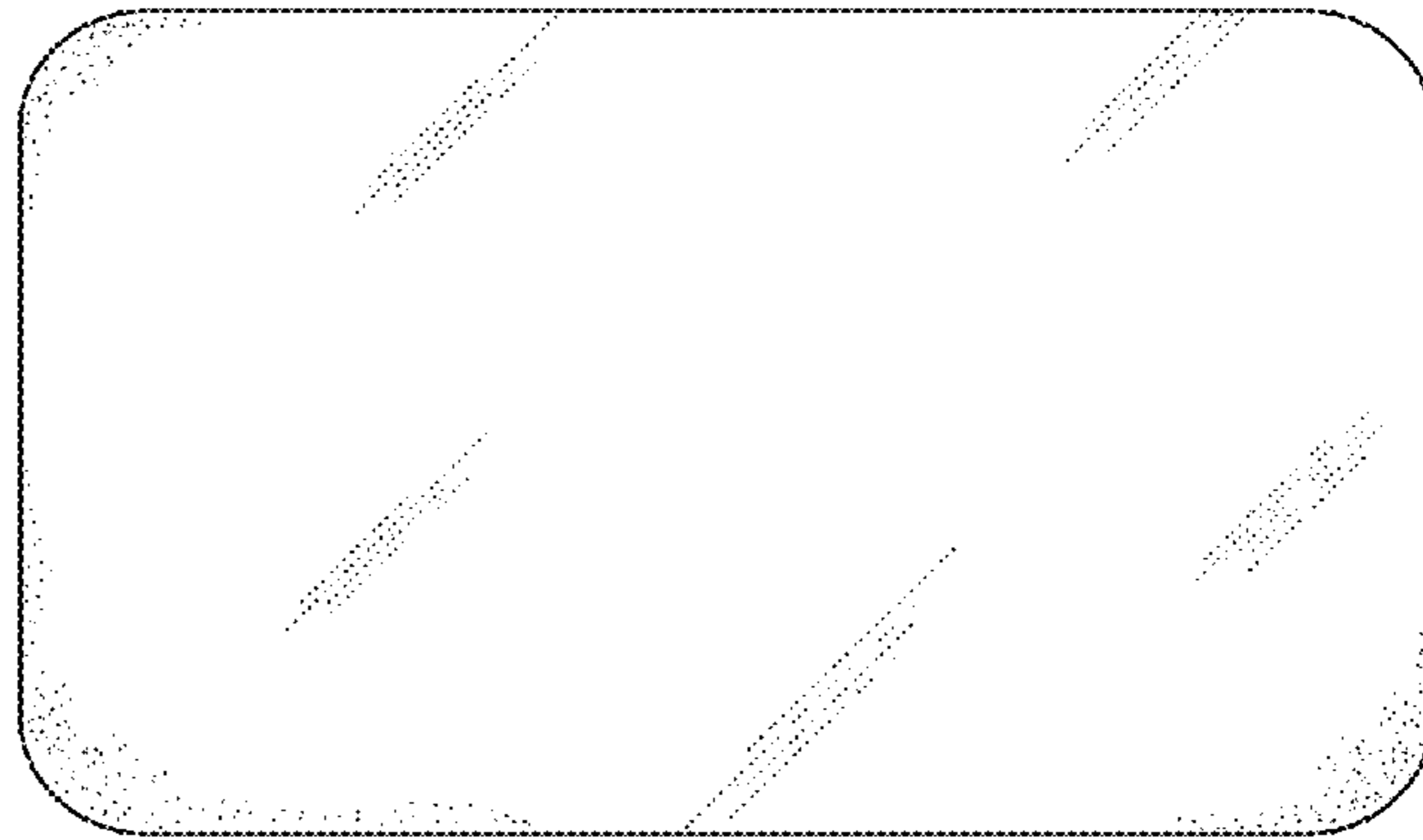


*Fig. 37*



*Fig. 38*

*Fig. 39*



*Fig. 40*