

US00D690541S

(12) **United States Design Patent**
Rogers

(10) **Patent No.:** **US D690,541 S**

(45) **Date of Patent:** **** Oct. 1, 2013**

- (54) **ADJUSTABLE SUPPORT FRAME**
- (76) Inventor: **Duke V. Rogers**, Meridian, ID (US)
- (**) Term: **14 Years**
- (21) Appl. No.: **29/419,313**
- (22) Filed: **Apr. 26, 2012**
- (51) **LOC (9) Cl.** **06-06**
- (52) **U.S. Cl.**
USPC **D6/675.5**
- (58) **Field of Classification Search**
USPC D6/382-383, 396, 473-474, 477-479,
D6/606-607, 672, 675.5; 5/503.1, 504.1,
5/505.1; 211/13.1, 40, 42-43, 49.1, 50, 52,
211/53, 55-56, 60.1, 70.3, 85.8, 181.1, 182,
211/189
See application file for complete search history.

2,611,139 A 9/1952 Ecklund
 2,642,589 A 6/1953 Cobb
 2,668,963 A 2/1954 Drake

(Continued)

Primary Examiner — Kelley Donnelly
 (74) *Attorney, Agent, or Firm* — Pedersen and Company,
 PLLC; Ken J. Pedersen; Barbara S. Pedersen

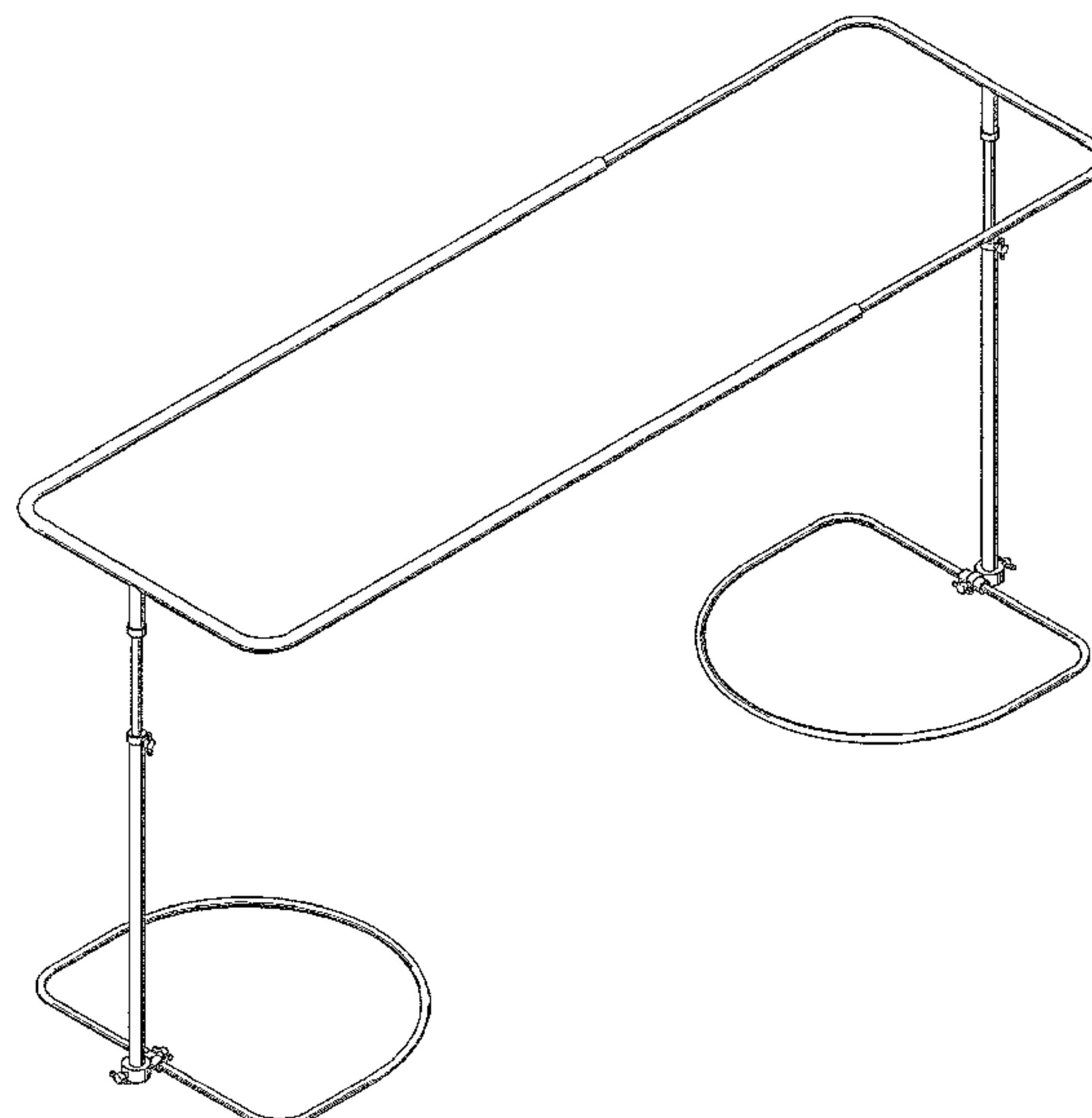
(57) **CLAIM**
 The ornamental design for an adjustable support frame, as
 shown and described.

DESCRIPTION

FIG. 1 is a front perspective view of a first embodiment of an adjustable support frame;
 FIG. 2 is a top view of the adjustable support frame of FIG. 1.
 FIG. 3 is a bottom view of the adjustable support frame of FIG. 1.
 FIG. 4 is a front view of the adjustable support frame of FIG. 1.
 FIG. 5 is a rear view of the adjustable support frame of FIG. 1.
 FIG. 6 is a left end view of the adjustable support frame of FIG. 1.
 FIG. 7 is a right end view of the adjustable support frame of FIG. 1.
 FIG. 8 is a front perspective view of a second embodiment of an adjustable support frame;
 FIG. 9 is a top view of the adjustable support frame of FIG. 8.
 FIG. 10 is a bottom view of the adjustable support frame of FIG. 8.
 FIG. 11 is a front view of the adjustable support frame of FIG. 8.
 FIG. 12 is a rear view of the adjustable support frame of FIG. 8.
 FIG. 13 is a left end view of the adjustable support frame of FIG. 8; and,
 FIG. 14 is a right end view of the adjustable support frame of FIG. 8.

- (56) **References Cited**
- U.S. PATENT DOCUMENTS
- | | | |
|-------------|---------|----------------|
| 802,610 A | 10/1905 | Tuttle |
| 998,996 A | 7/1911 | Swenson et al. |
| 1,072,490 A | 9/1913 | Oilar |
| 1,175,526 A | 3/1916 | Jones |
| 1,577,089 A | 3/1926 | Whitford |
| 1,577,825 A | 3/1926 | Jenness |
| 1,741,361 A | 12/1929 | Doyle |
| 2,106,834 A | 2/1938 | Ewald |
| 2,112,122 A | 3/1938 | Sullivan |
| 2,210,255 A | 8/1940 | Peevey |
| 2,235,191 A | 3/1941 | Arnould |
| 2,244,310 A | 6/1941 | Murphy |
| 2,291,203 A | 7/1942 | Bent |
| 2,300,898 A | 11/1942 | Allen |
| 2,401,999 A | 6/1946 | Wolfe |
| D149,816 S | 6/1948 | Ivelow |
| 2,598,295 A | 5/1952 | Pelton |
| 2,602,171 A | 7/1952 | Good |

1 Claim, 10 Drawing Sheets



(56)

References Cited

U.S. PATENT DOCUMENTS

3,317,932 A 5/1967 Gibbons
 3,713,182 A 1/1973 McNeal
 4,190,915 A 3/1980 Birt
 4,287,622 A 9/1981 Lane
 4,353,140 A 10/1982 Graber
 4,561,549 A 12/1985 Yokohori
 D292,763 S 11/1987 Rich
 D297,998 S * 10/1988 Edson D6/566
 4,841,589 A 6/1989 Moore
 5,329,658 A 7/1994 Fontenot et al.
 5,438,720 A 8/1995 Daneshvar
 5,881,406 A 3/1999 Cobb
 6,045,107 A * 4/2000 Carlson 248/445
 6,240,581 B1 6/2001 Pender
 D475,555 S * 6/2003 Lauts D6/462
 6,607,015 B1 * 8/2003 Chen 144/286.1
 D486,197 S * 2/2004 Marshall D21/780
 6,823,883 B1 * 11/2004 Sears 135/128

6,834,403 B1 12/2004 Elliott
 6,895,615 B2 5/2005 Dilascio
 6,901,616 B1 6/2005 Warrington et al.
 6,935,992 B2 8/2005 Gehrke
 7,137,159 B1 11/2006 Choate
 D562,572 S * 2/2008 Nothel D6/310
 7,617,552 B2 11/2009 Strickland
 D620,279 S 7/2010 Lebon
 D635,804 S * 4/2011 North D6/511
 D637,015 S 5/2011 Rogers
 7,950,081 B2 * 5/2011 Chen et al. 5/93.2
 D640,485 S * 6/2011 Dugger D6/462
 7,958,578 B2 * 6/2011 Shan et al. 5/93.1
 D649,378 S 11/2011 Rogers
 D676,258 S * 2/2013 Landers D15/83
 2003/0229942 A1 12/2003 Dilascio
 2005/0273931 A1 * 12/2005 Edwards 5/505.1
 2006/0248647 A1 11/2006 Huber
 2008/0276375 A1 11/2008 Gehrke
 2008/0295247 A1 12/2008 Rogers

* cited by examiner

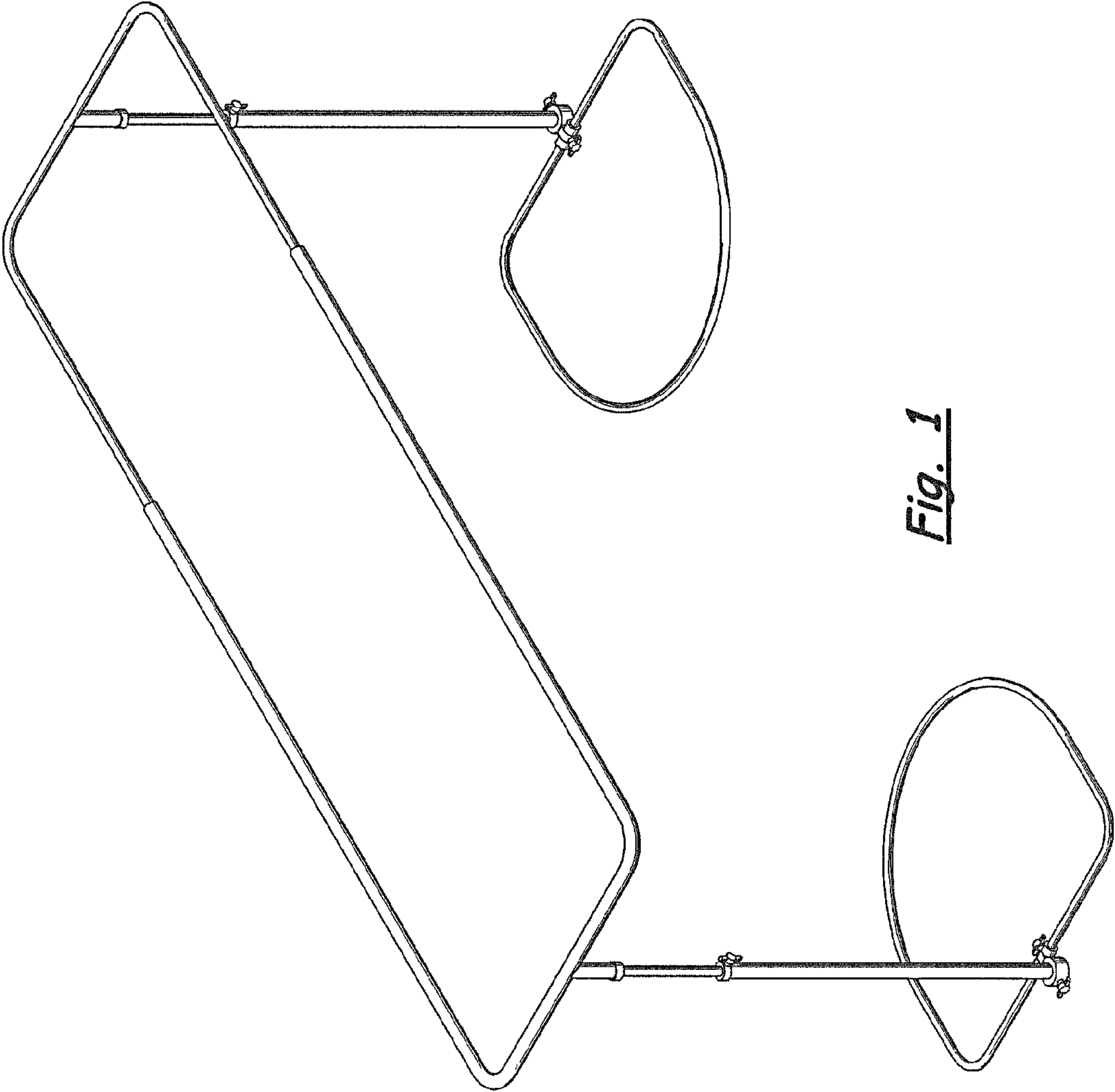


Fig. 1

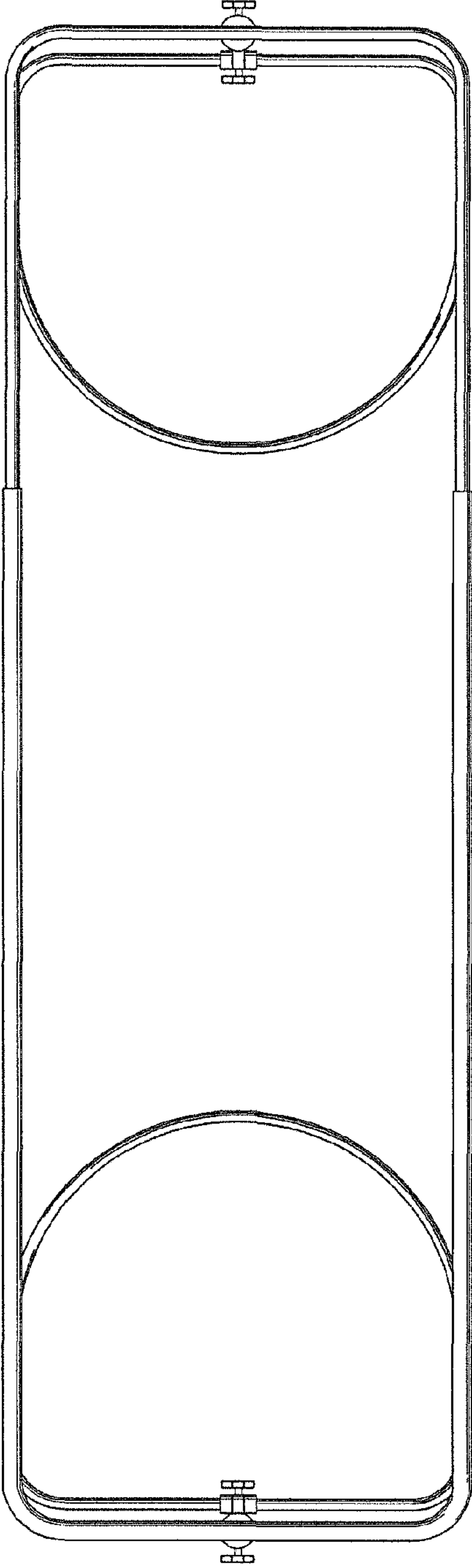


Fig. 2

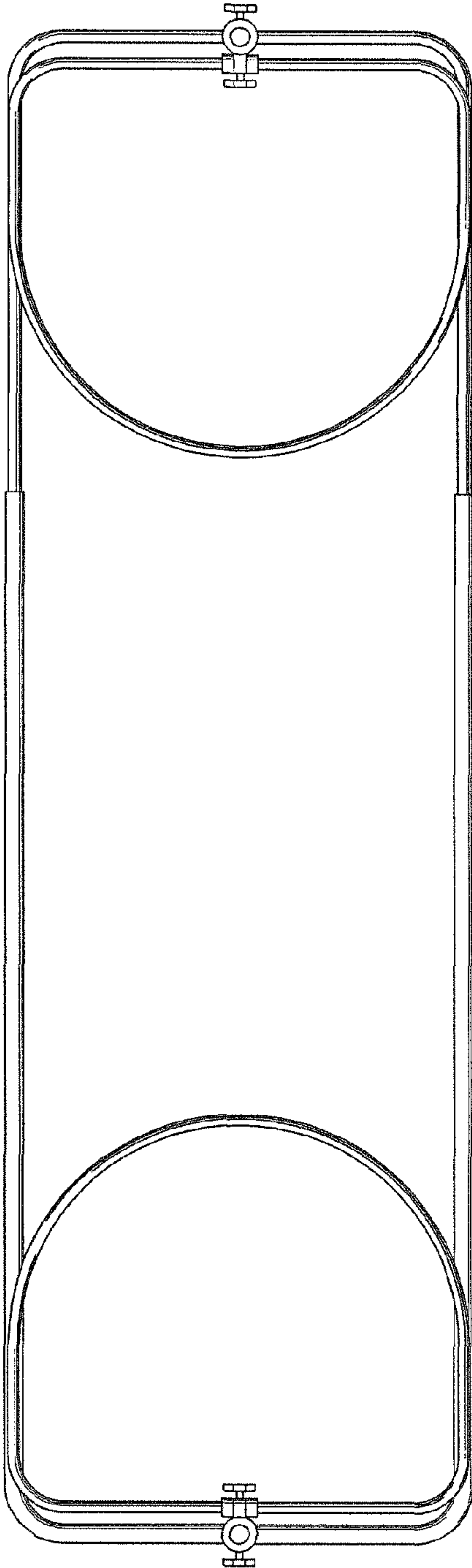


Fig. 3

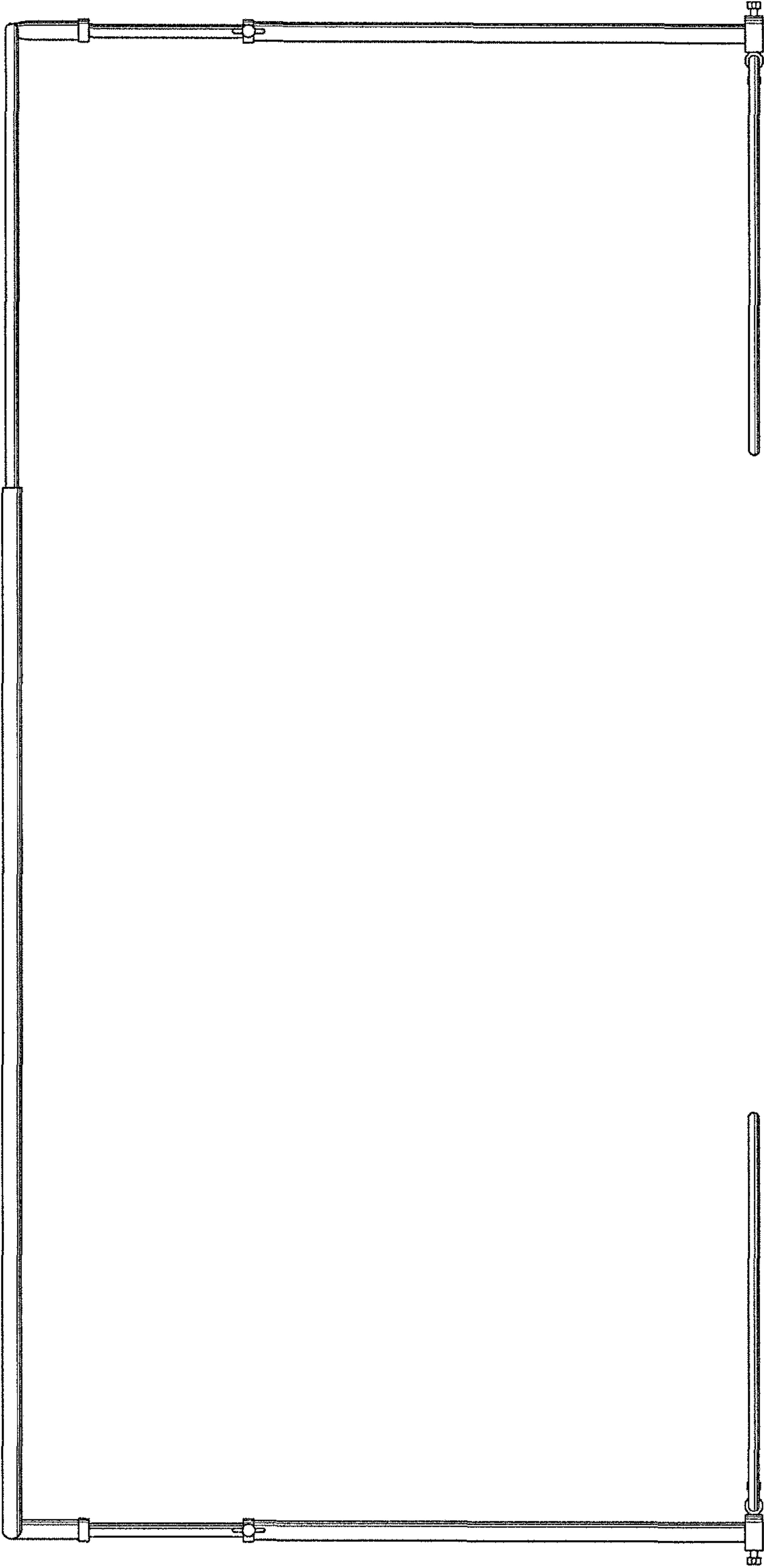


Fig. 4

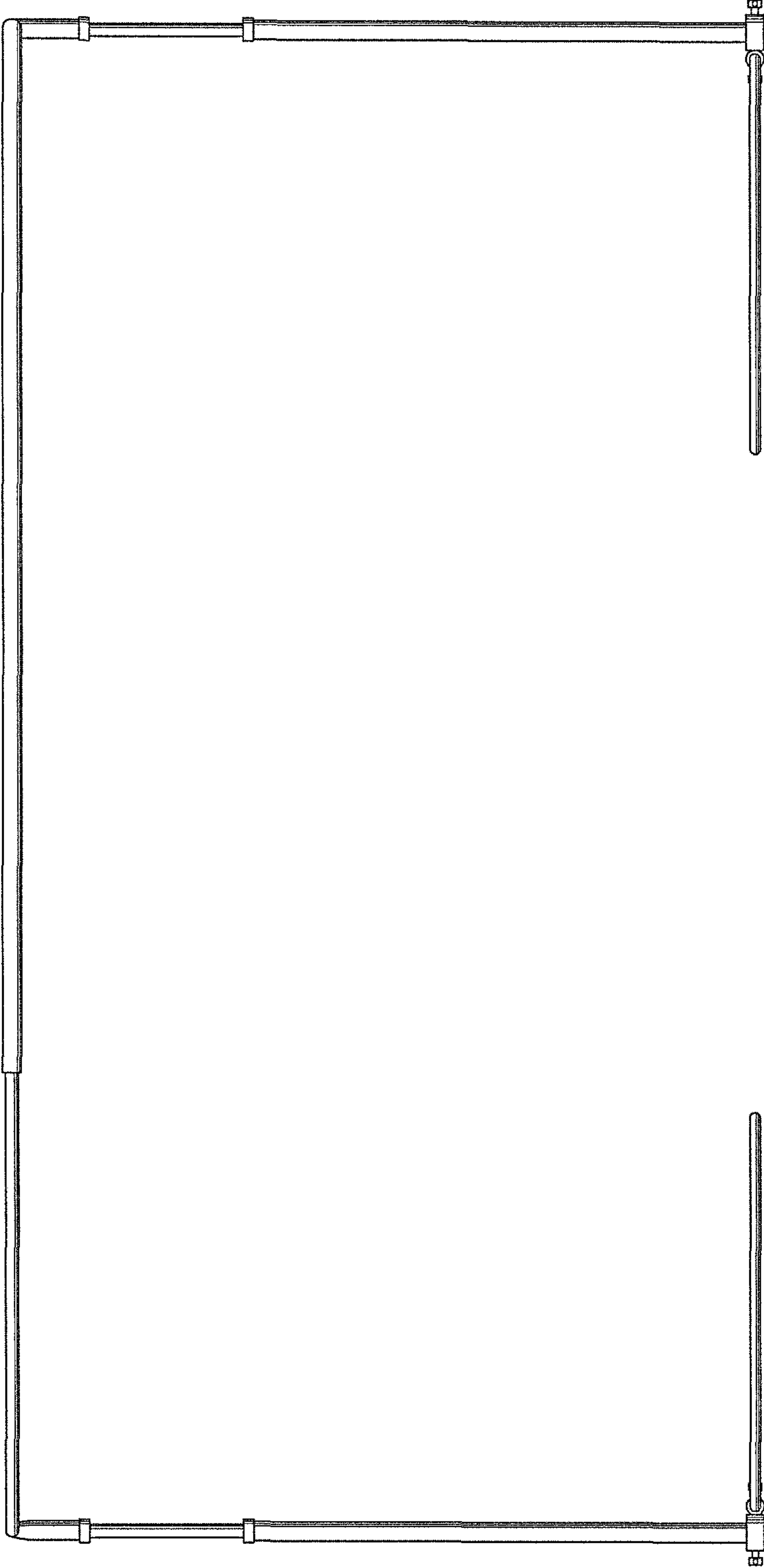


Fig. 5

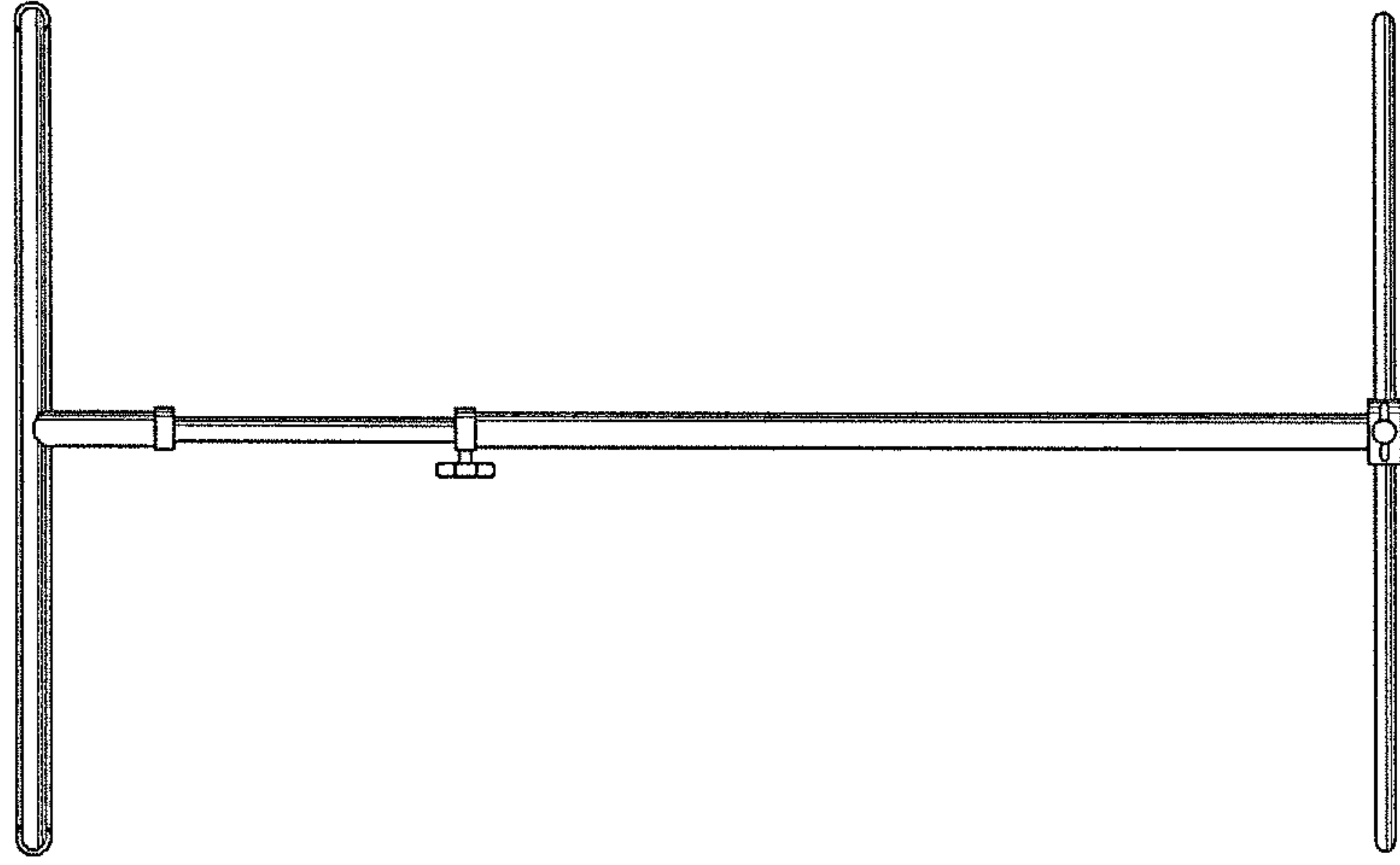


Fig. 7

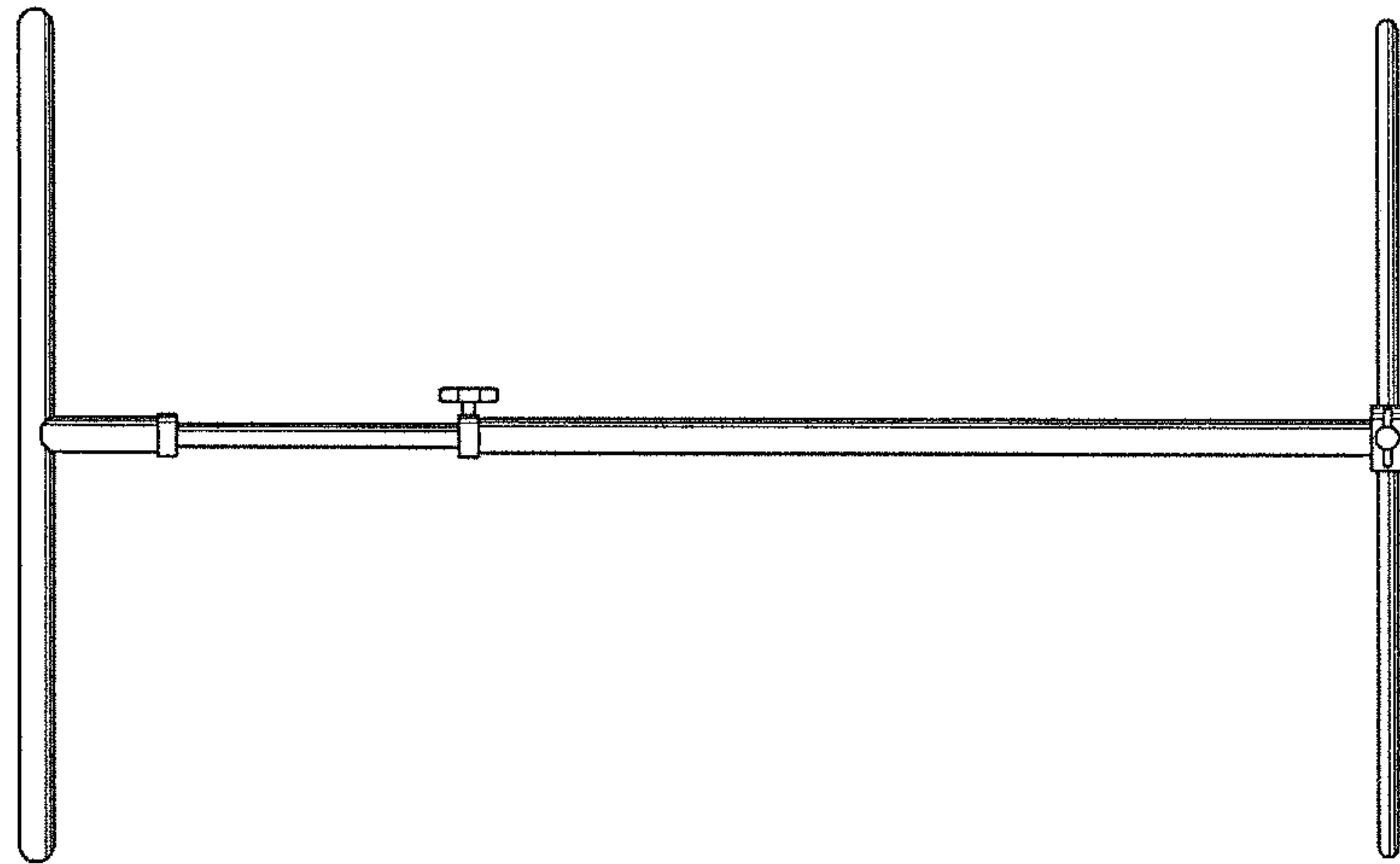


Fig. 6

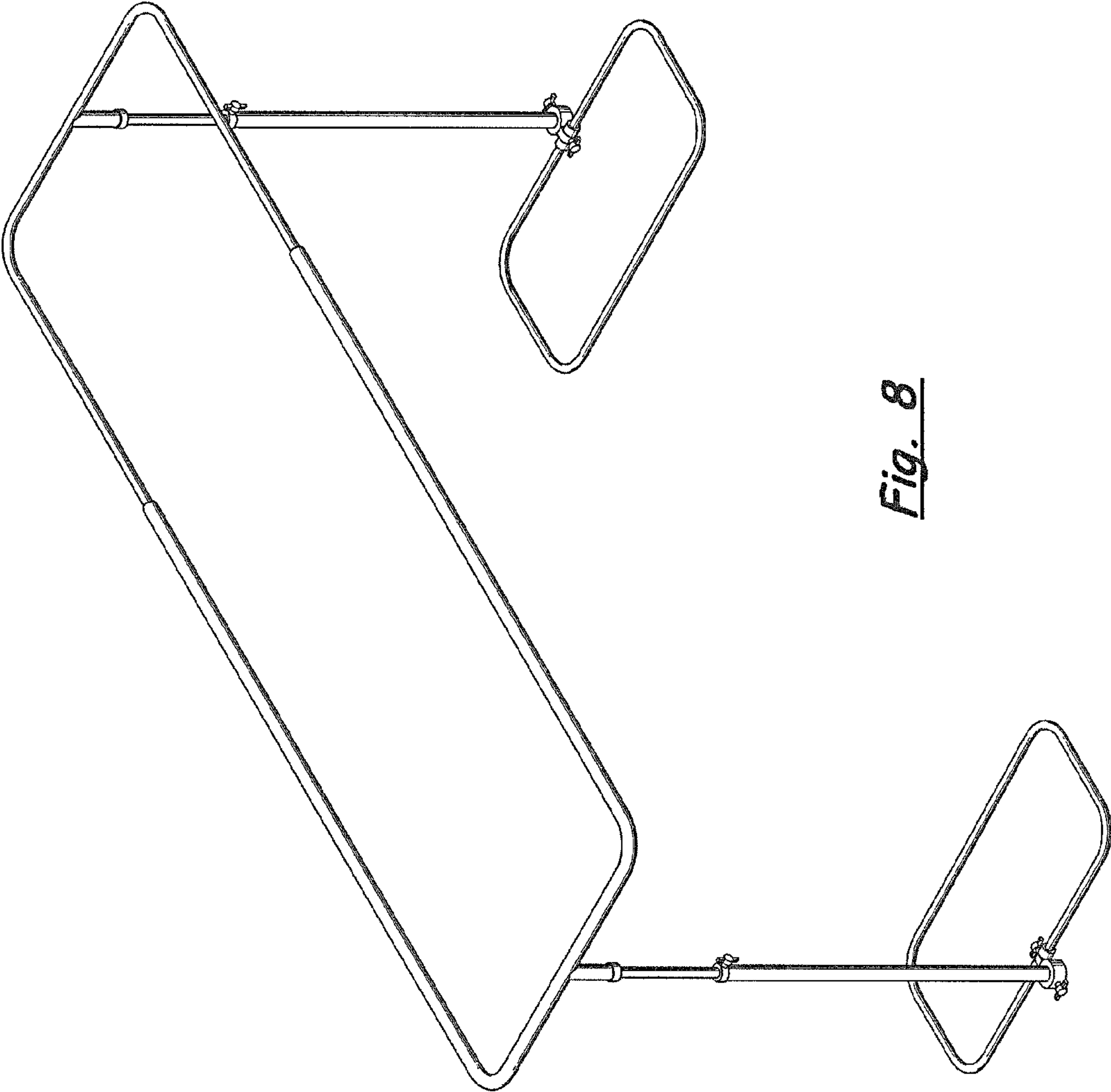


Fig. 8

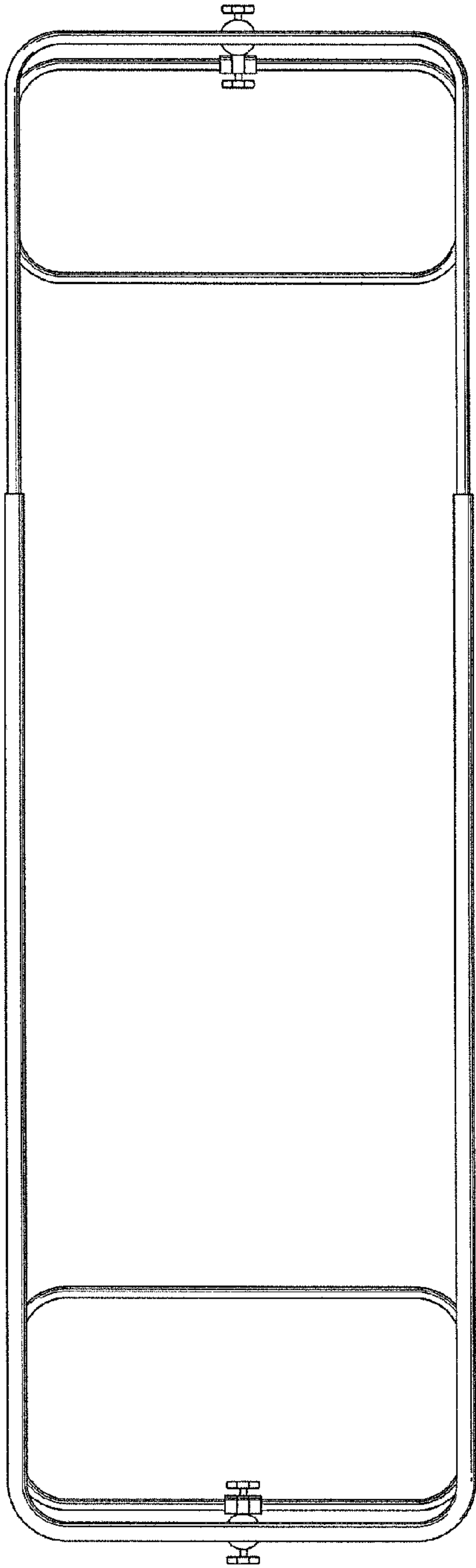


Fig. 9

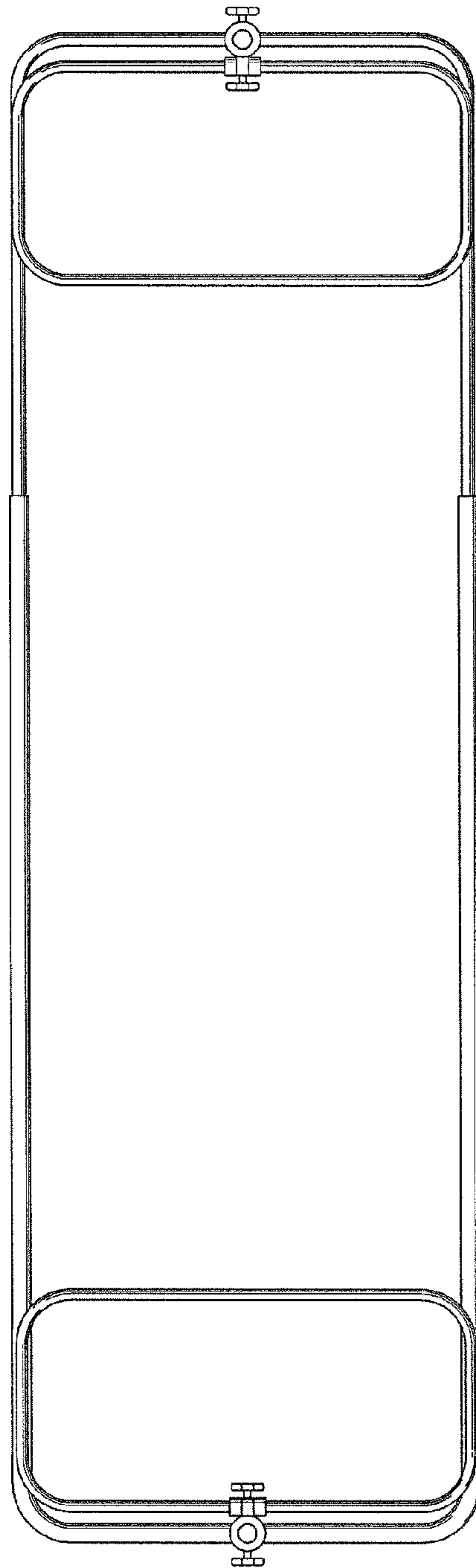


Fig. 10



Fig. 11

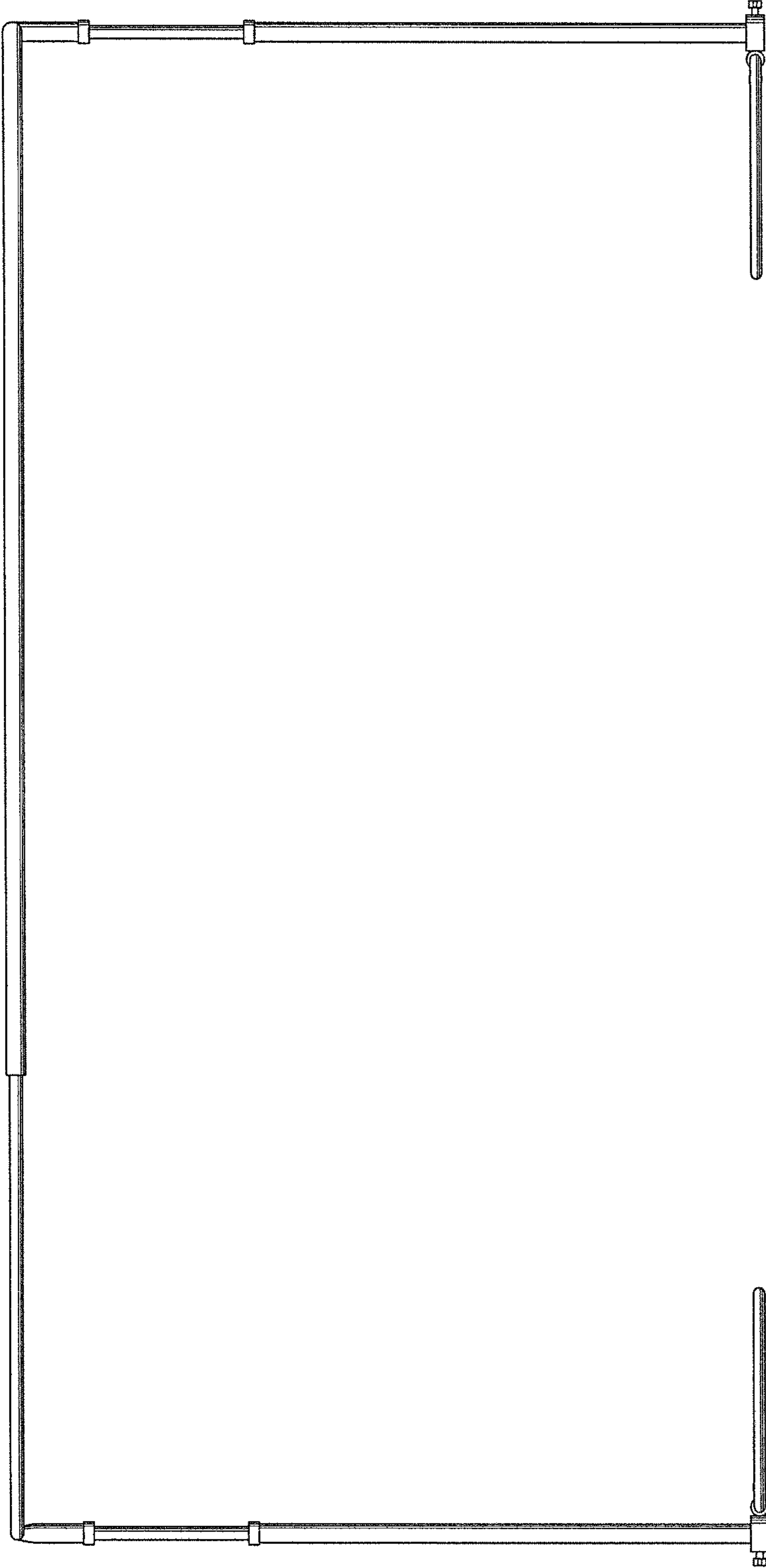


Fig. 12

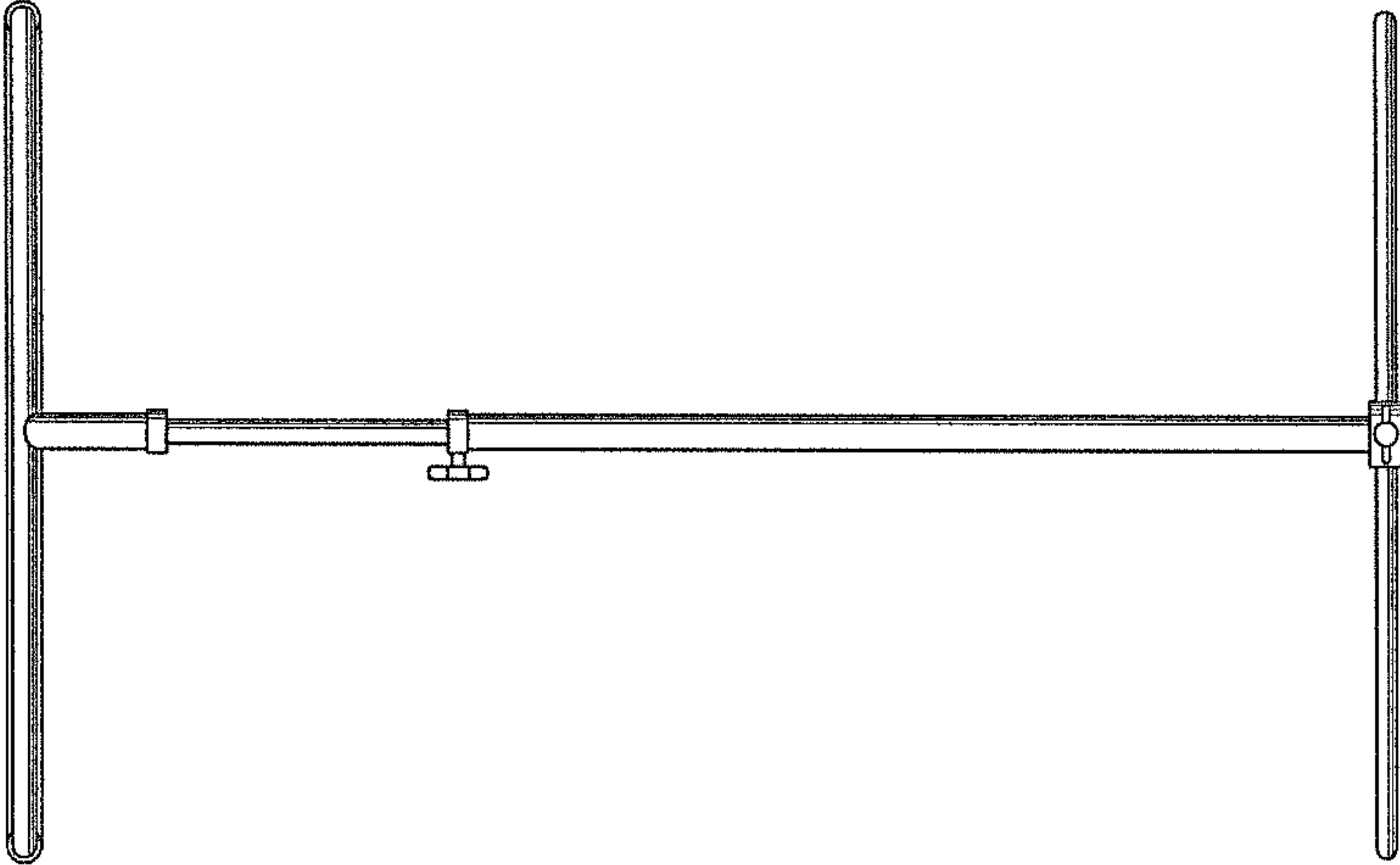


Fig. 14

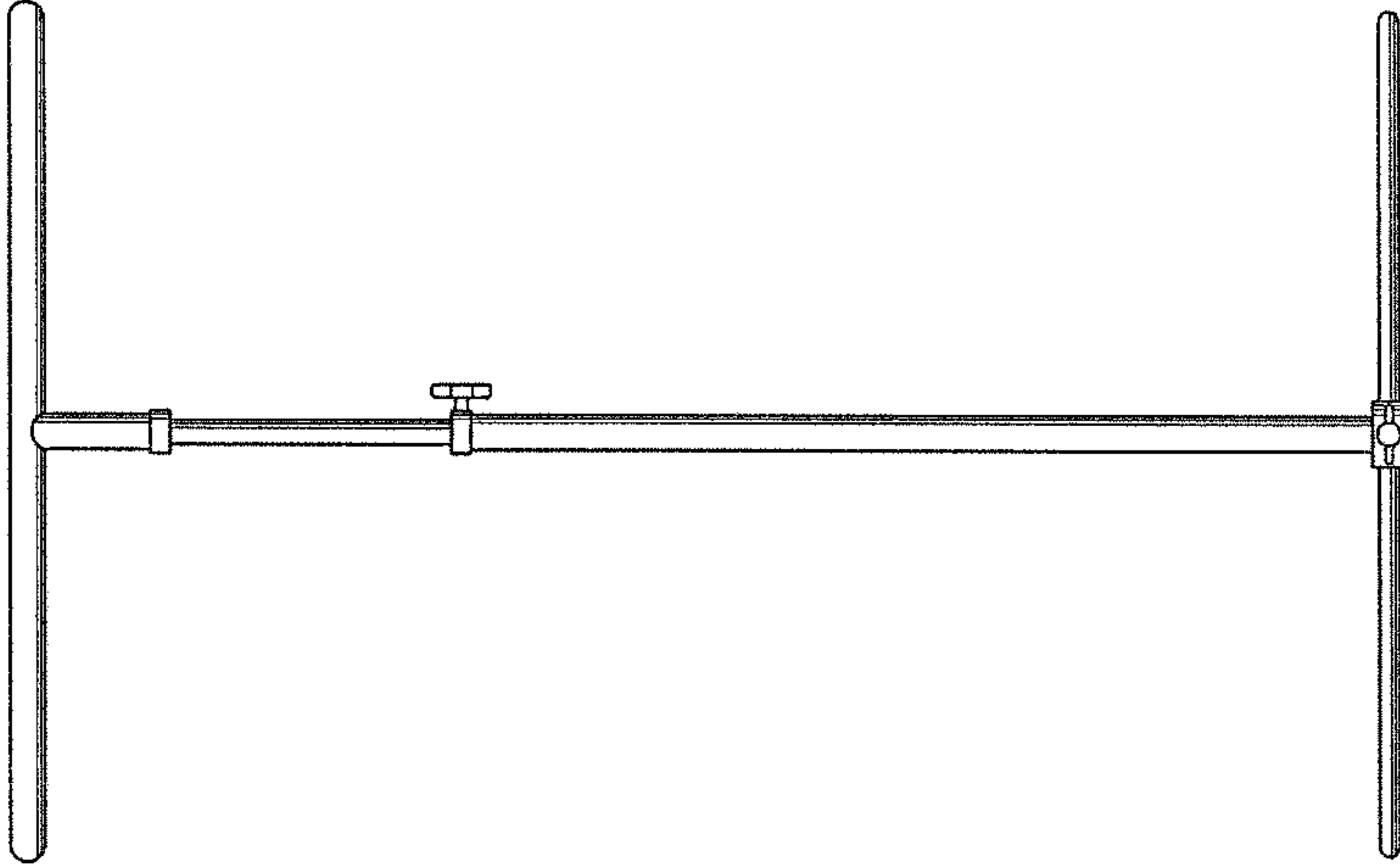


Fig. 13