

US00D690540S

(12) **United States Design Patent**
Dryden

(10) **Patent No.:** **US D690,540 S**
(45) **Date of Patent:** **** Oct. 1, 2013**

- (54) **ART STORAGE RACK**
- (76) Inventor: **Mack Dryden**, Louisville, KY (US)
- (**) Term: **14 Years**
- (21) Appl. No.: **29/421,203**
- (22) Filed: **Jun. 12, 2012**
- (51) **LOC (9) Cl.** **06-06**
- (52) **U.S. Cl.**
USPC **D6/675.2**
- (58) **Field of Classification Search**
USPC D6/396-397, 449, 462, 464, 465-468,
D6/509-511, 672-673, 675-675.2; D34/12,
D34/14, 17, 20-21; 108/16, 28, 161, 149;
211/41.12, 13.1, 134-135, 153, 180, 181.1,
211/182
See application file for complete search history.

D443,399 S *	6/2001	Henry	D34/17
D502,793 S *	3/2005	Porter	D34/12
D542,997 S *	5/2007	Coderre	D34/17
D576,372 S *	9/2008	Walter	D34/17
D580,617 S *	11/2008	Walter	D34/12
D591,649 S *	5/2009	Koshes et al.	D12/115
D604,473 S *	11/2009	Gibson	D34/16
7,617,941 B2 *	11/2009	Colin et al.	211/59.2
D618,422 S *	6/2010	Catron et al.	D34/27
7,815,557 B1 *	10/2010	Almeda	482/141
D649,318 S *	11/2011	Renfrew et al.	D34/12
D649,319 S *	11/2011	Renfrew et al.	D34/12
D669,242 S *	10/2012	Baldemor et al.	D34/12

* cited by examiner

Primary Examiner — Kelley Donnelly
(74) *Attorney, Agent, or Firm* — Robert G. Rosenthal

(57) **CLAIM**
The ornamental design for an art storage rack, as shown and described.

(56) **References Cited**

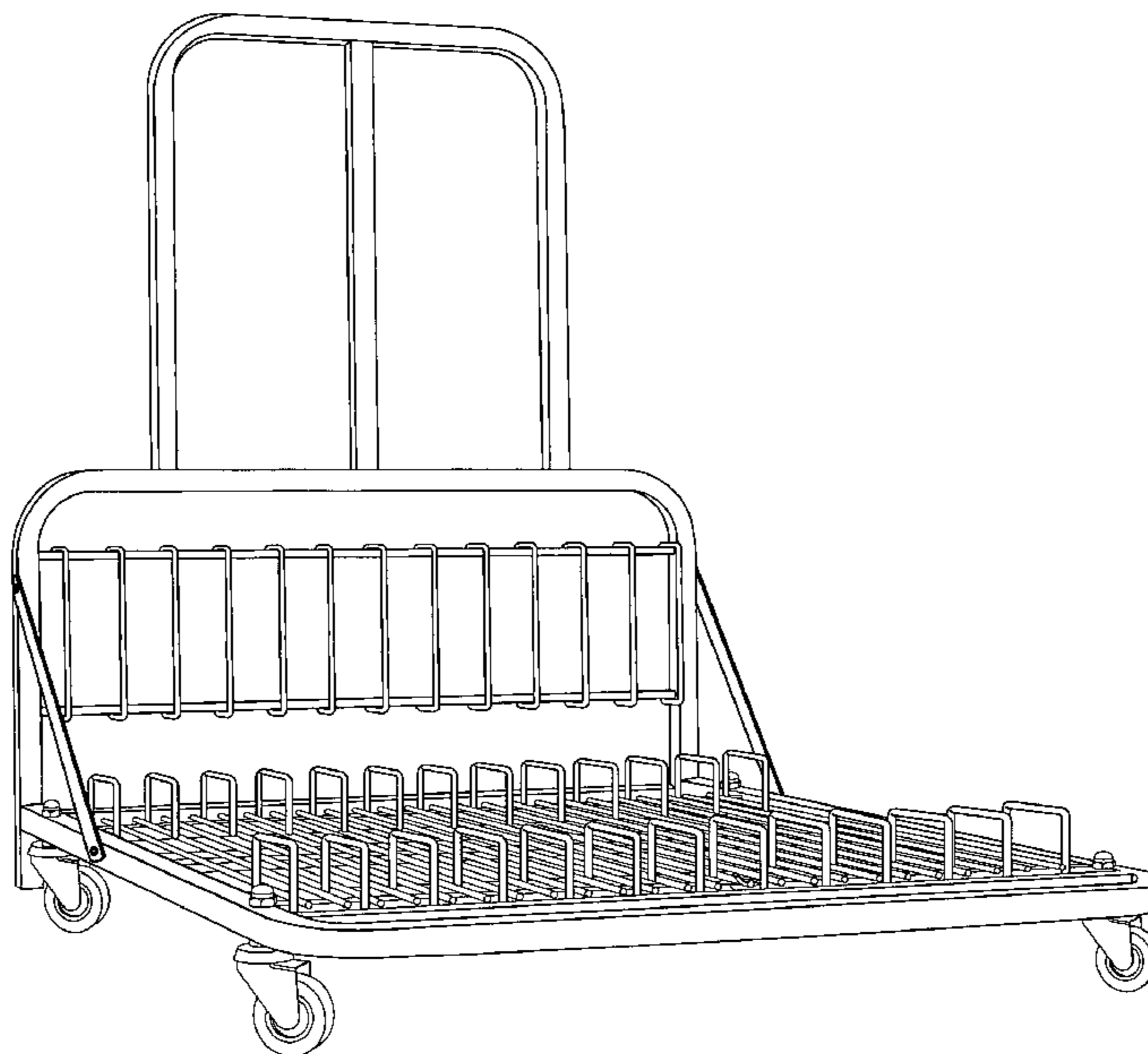
U.S. PATENT DOCUMENTS

2,674,462 A *	4/1954	Dracos et al.	280/32.5
3,669,464 A *	6/1972	Linzmeier	280/47.34
D269,215 S *	5/1983	Caine	D34/17
4,458,906 A *	7/1984	Lamson	280/47.34
D303,445 S *	9/1989	Ferguson et al.	D34/21
D331,135 S *	11/1992	Lewandowski et al.	D34/18
D340,335 S *	10/1993	Kean et al.	D34/17
5,280,933 A *	1/1994	Finneyfrock	280/47.34
D347,125 S *	5/1994	Brunel	D6/388
D363,587 S *	10/1995	Glinski	D34/17
D366,744 S *	1/1996	Bailey	D34/12
5,558,359 A *	9/1996	Phears	280/654
D404,871 S *	1/1999	Golichowski et al.	D34/17
D409,858 S *	5/1999	Reed	D6/468
D410,577 S *	6/1999	Ciphers, Sr.	D34/17
D412,414 S *	8/1999	Gingrich	D6/449
D415,600 S *	10/1999	Hsieh et al.	D34/23
D418,269 S *	12/1999	Henry	D34/17

DESCRIPTION

FIG. 1 is a perspective view of a first embodiment of my new design.
 FIG. 2 is a left end view thereof.
 FIG. 3 is a side view thereof.
 FIG. 4 is a plan view thereof.
 FIG. 5 is a right end view thereof.
 FIG. 6 is a plan view of the underside thereof.
 FIG. 7 is a perspective view of a second embodiment of my new design.
 FIG. 8 is a left end view thereof.
 FIG. 9 is a side view thereof.
 FIG. 10 is a plan view thereof.
 FIG. 11 is a right end view thereof; and,
 FIG. 12 is a plan view of the underside thereof.

1 Claim, 12 Drawing Sheets



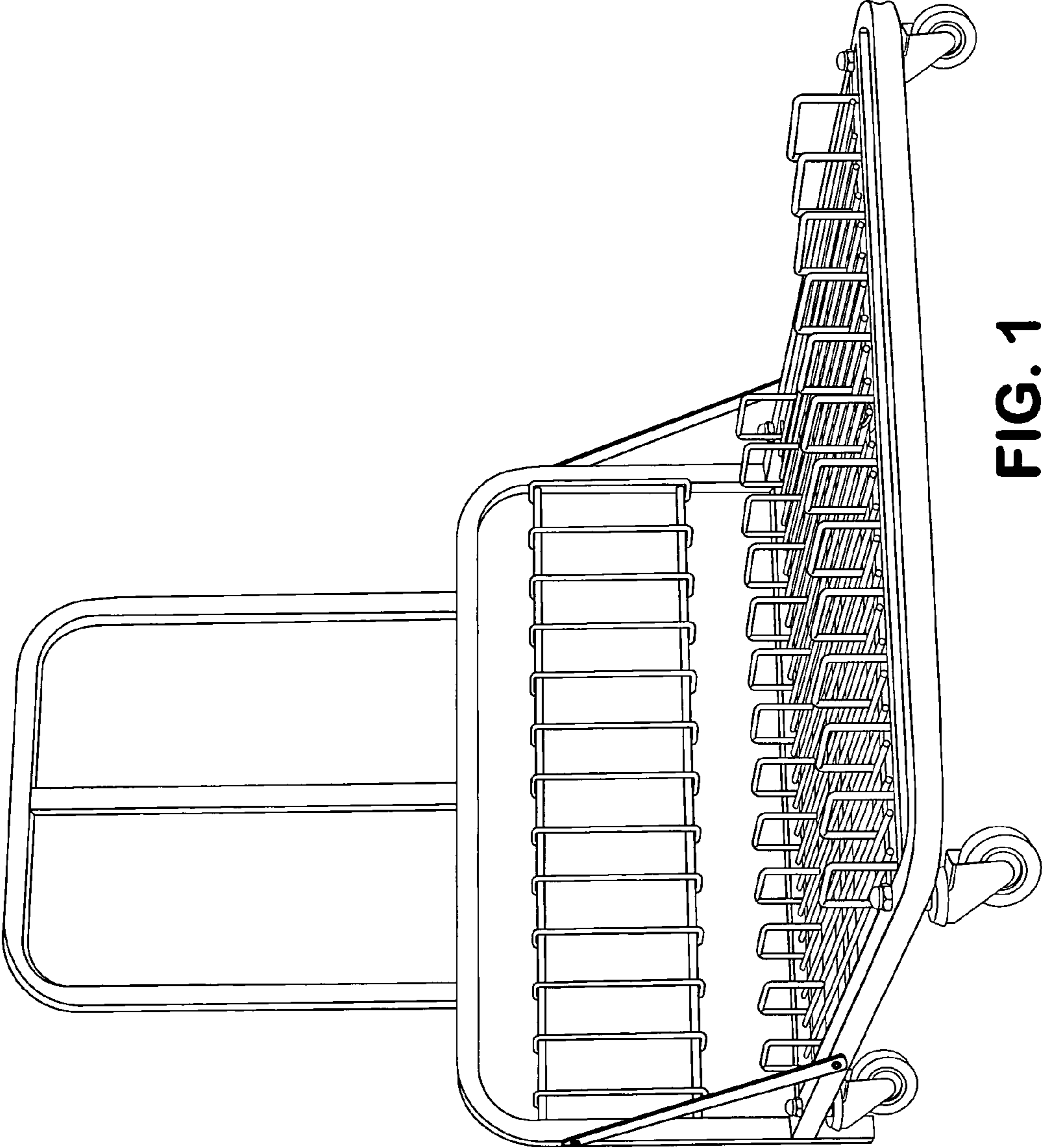


FIG. 1

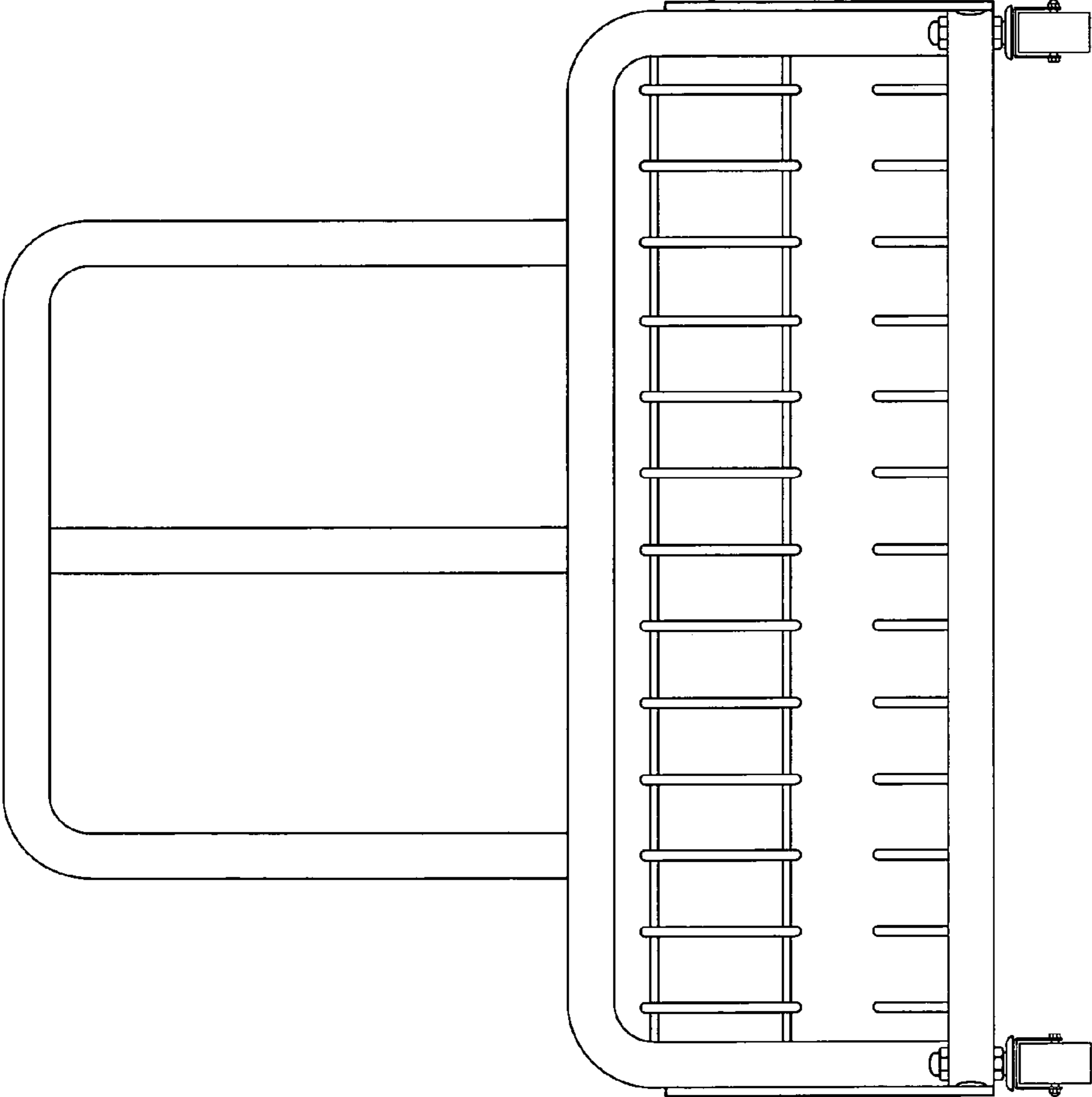


FIG. 2

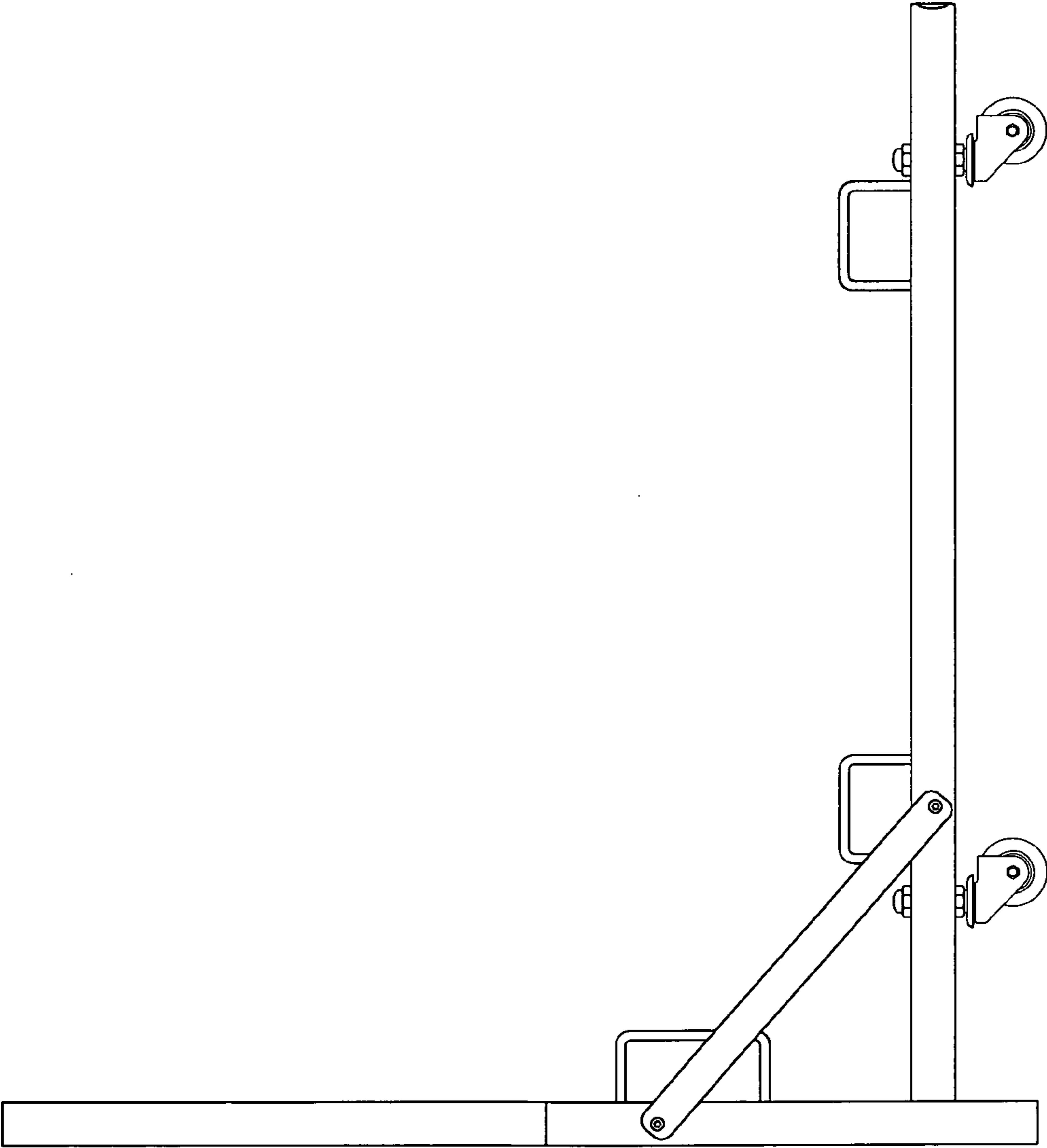


FIG. 3

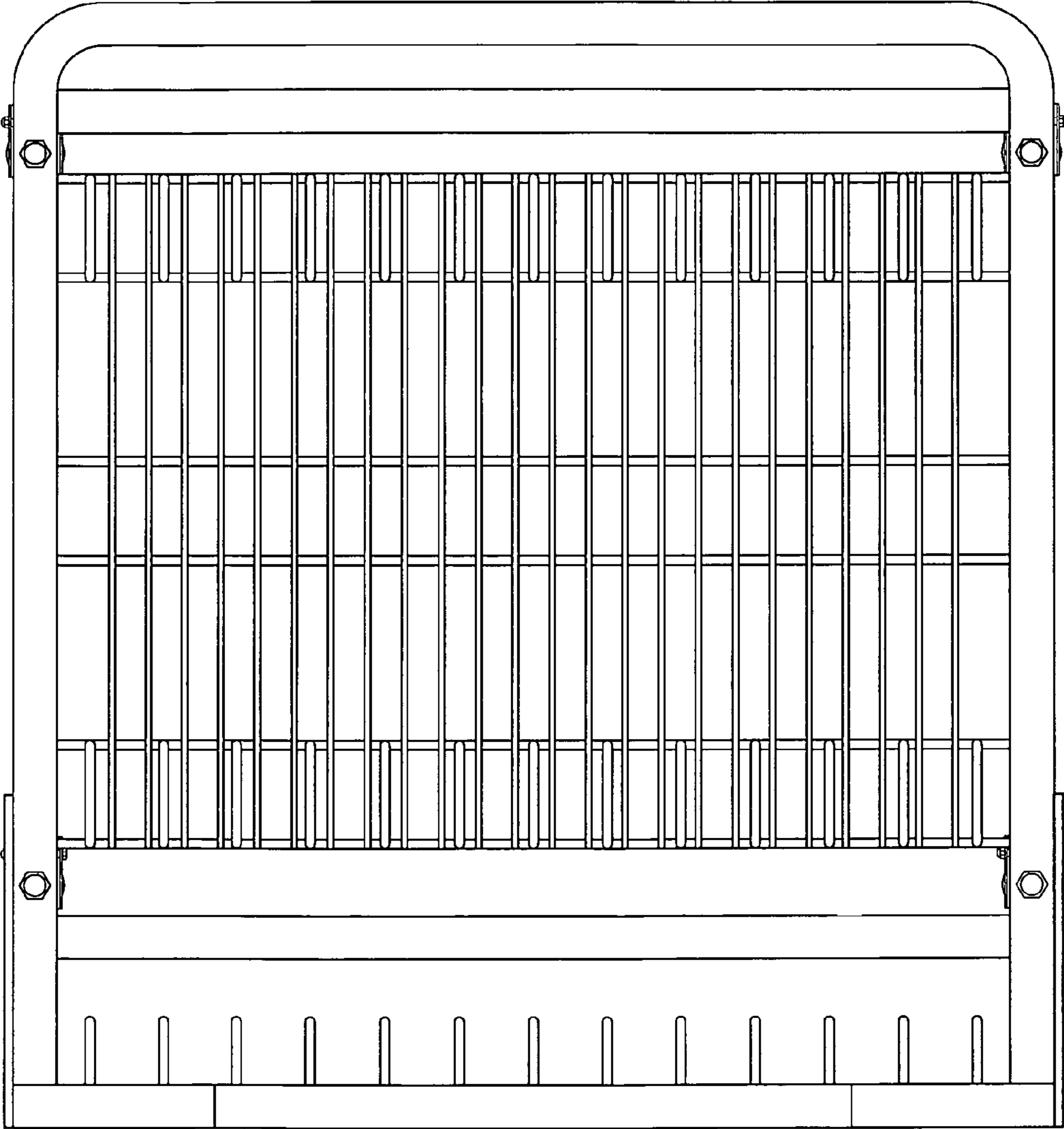


FIG. 4

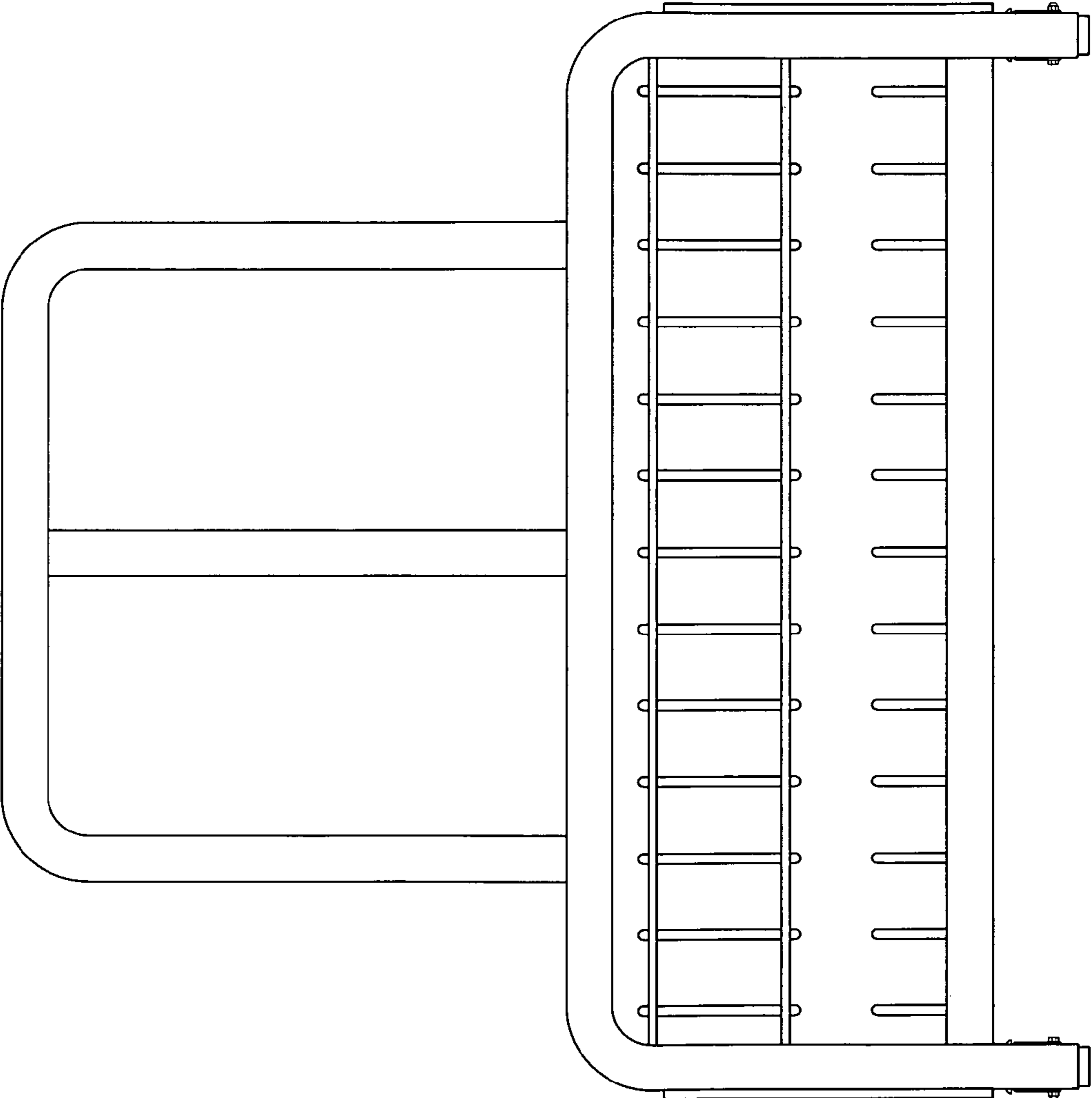


FIG. 5

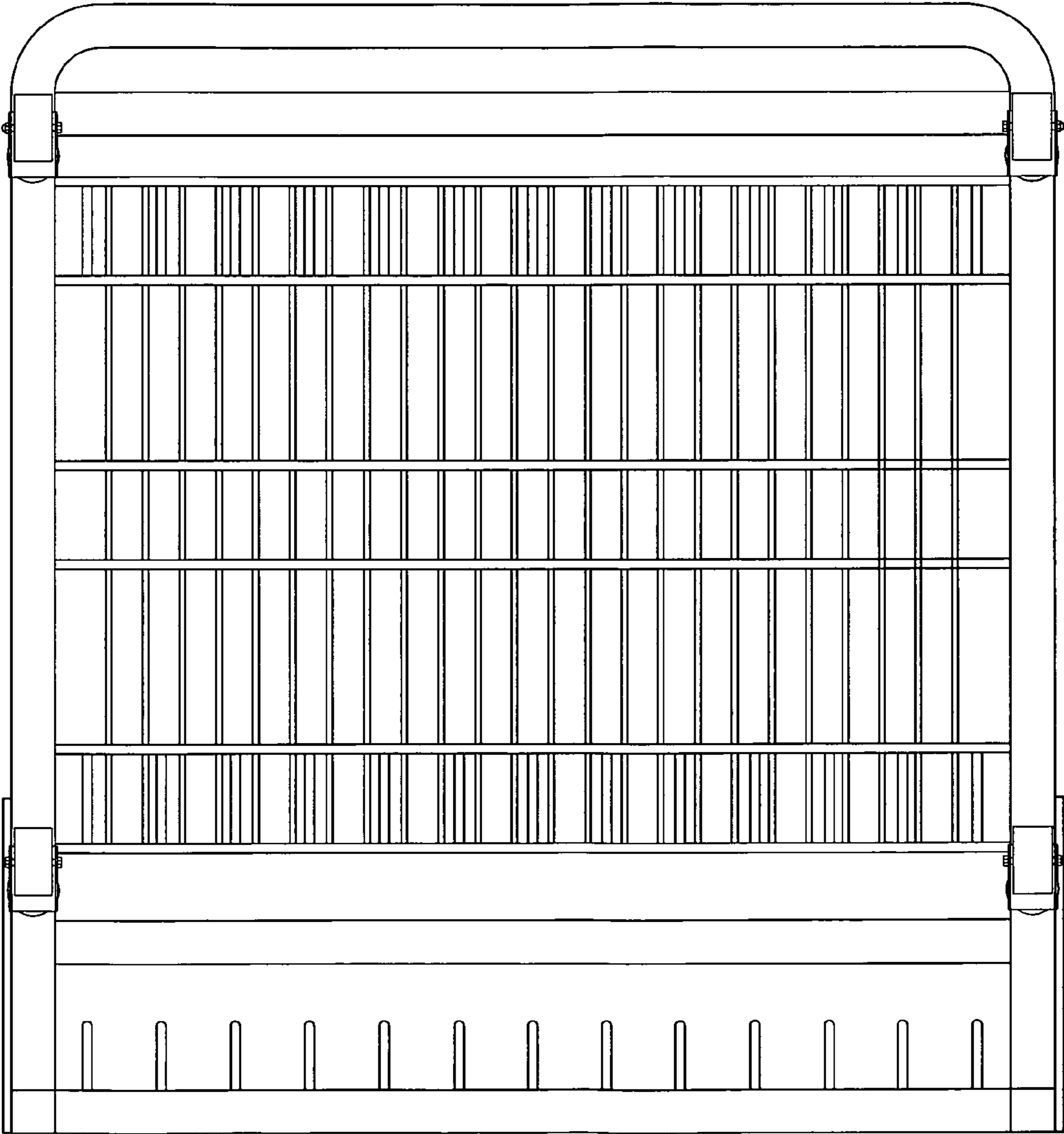


FIG. 6

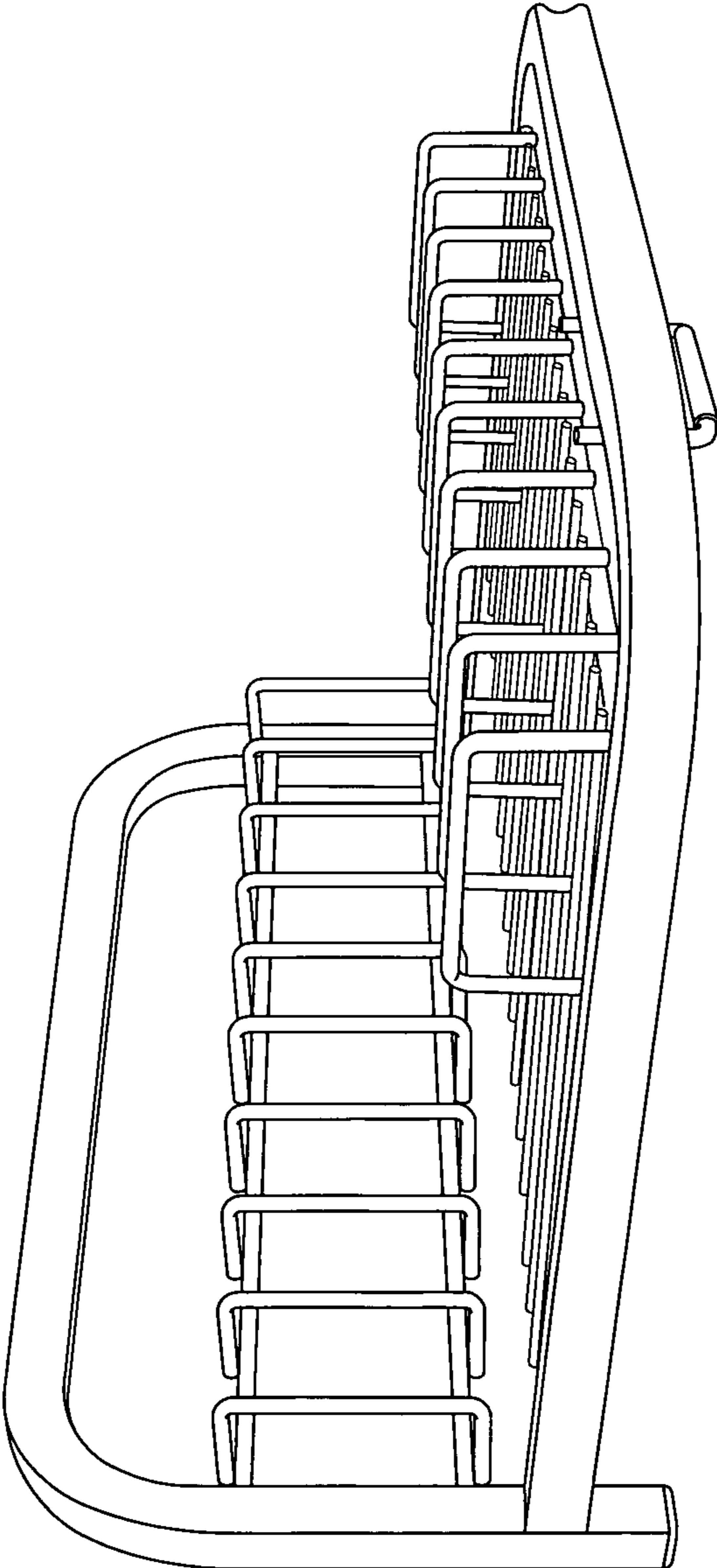


FIG. 7

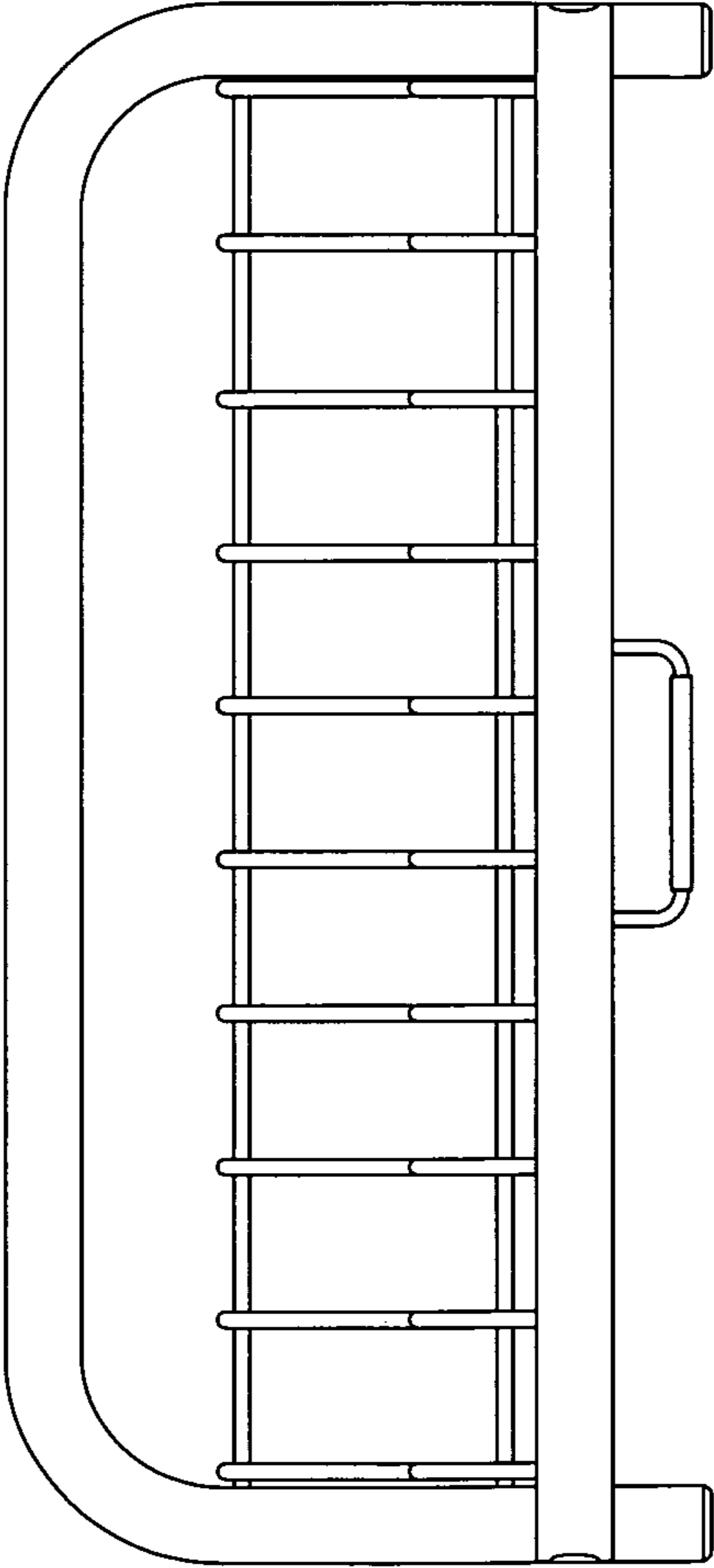


FIG. 8

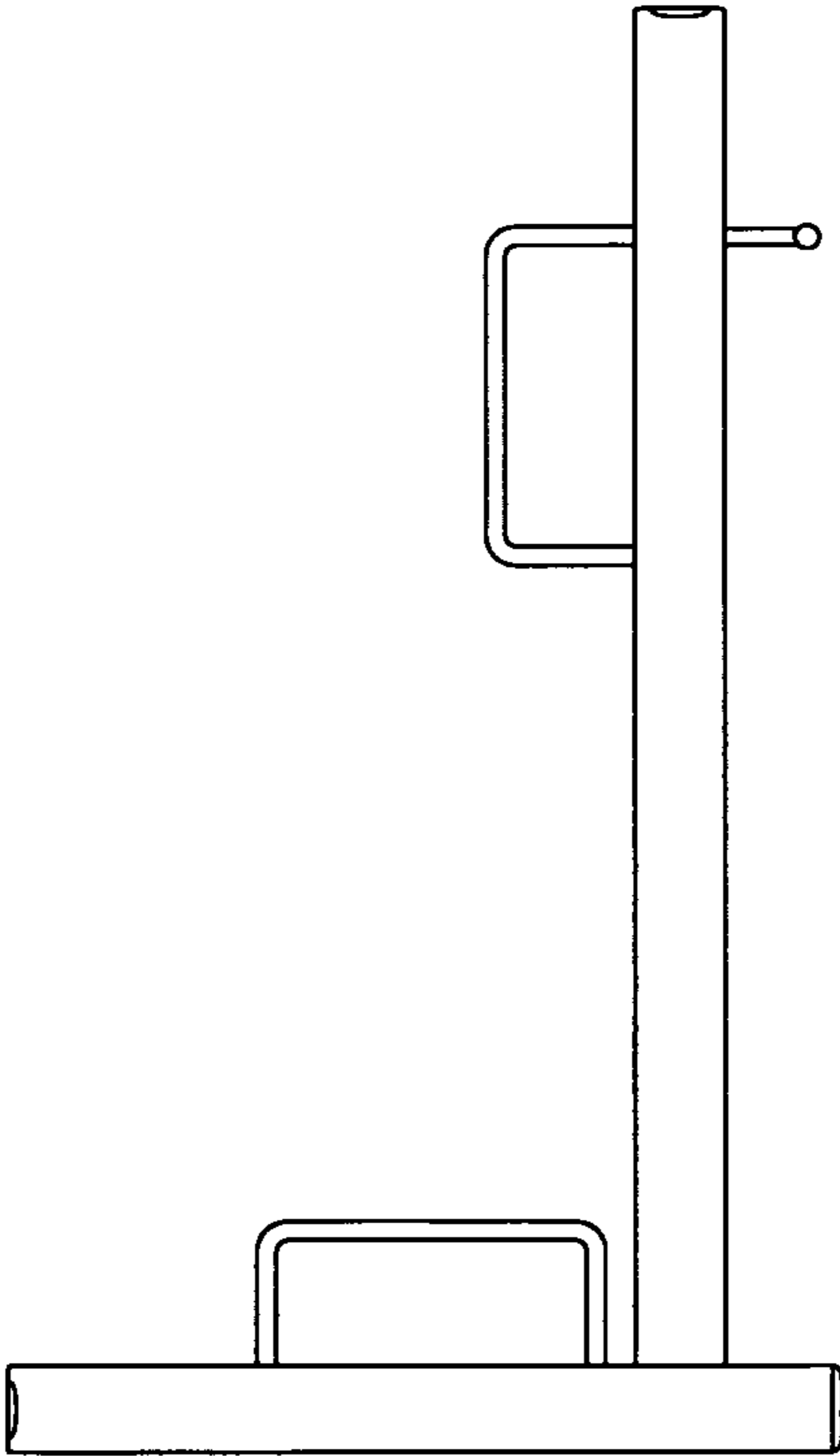


FIG. 9

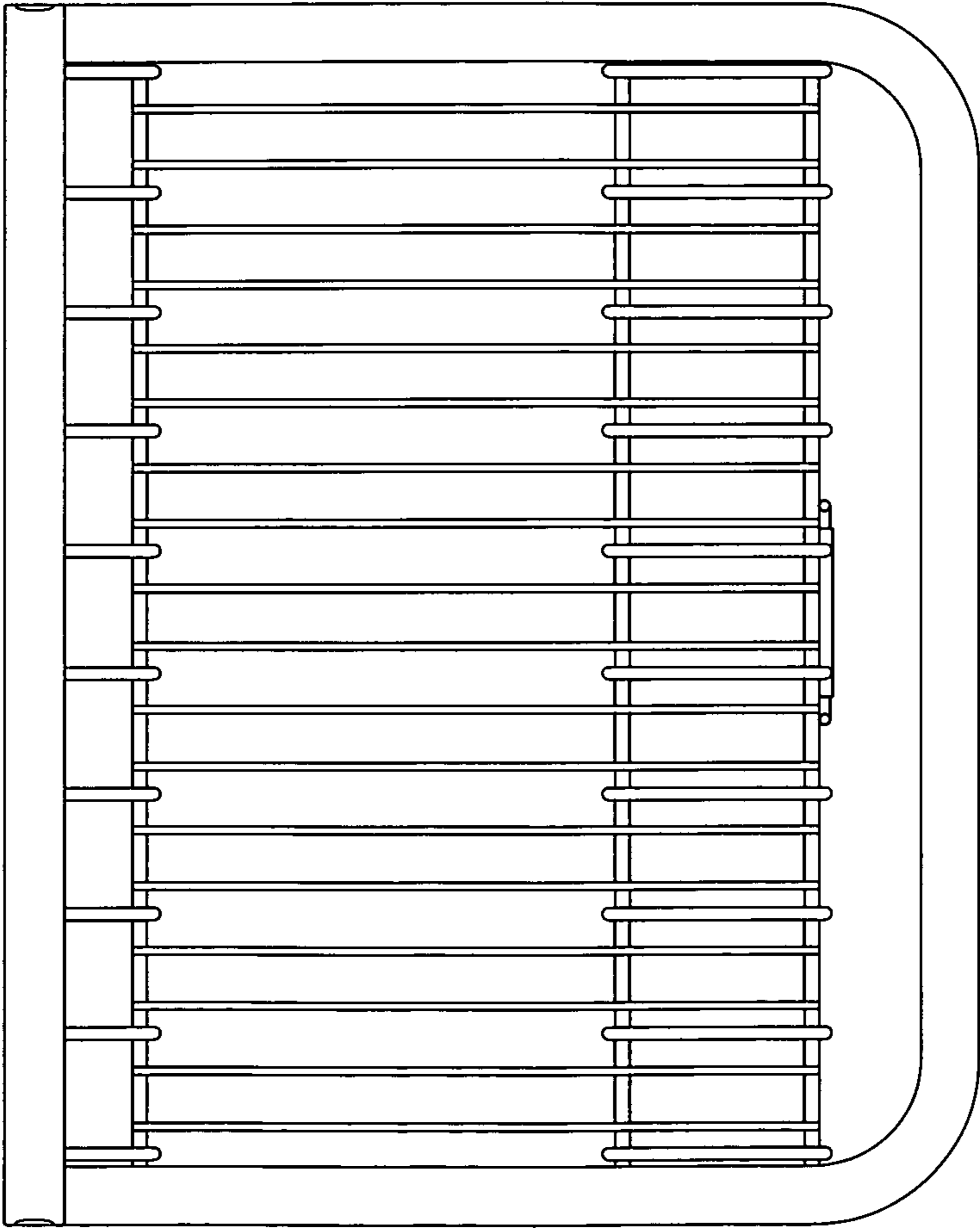


FIG. 10

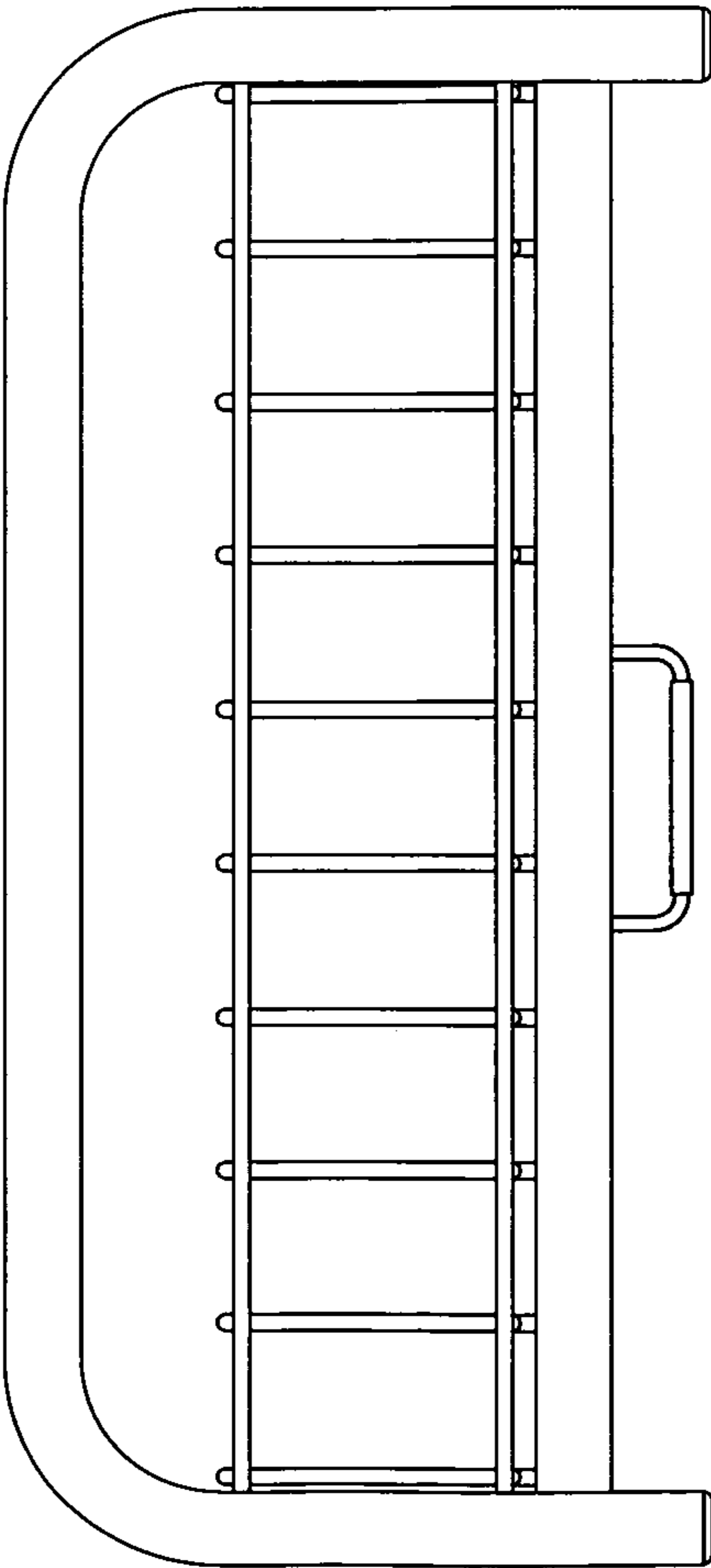


FIG. 11

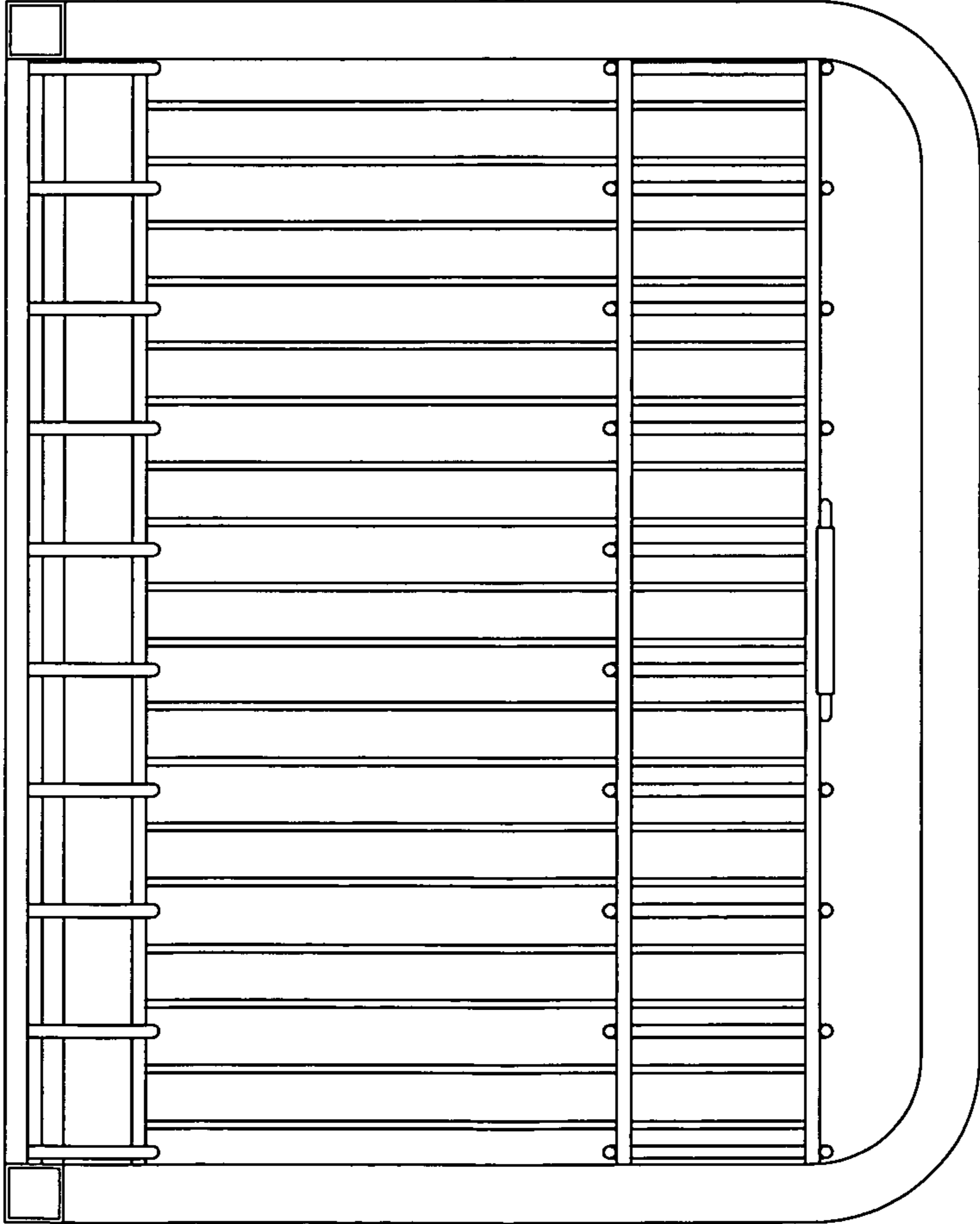


FIG. 12