



US00D690539S

(12) **United States Design Patent**
Grill

(10) **Patent No.:** **US D690,539 S**

(45) **Date of Patent:** **** Oct. 1, 2013**

(54) **SHEET STRAIGHTENER**

(76) **Inventor:** **David Glenn Grill**, Wilsonville, OR
(US)

(**) **Term:** **14 Years**

(21) **Appl. No.:** **29/430,449**

(22) **Filed:** **Aug. 24, 2012**

(51) **LOC (9) Cl.** **06-09**

(52) **U.S. Cl.**
USPC **D6/607**

(58) **Field of Classification Search**
USPC D6/606, 607; 5/504.1, 505.1, 658,
5/498, 496; 24/72.5; D8/349, 395
See application file for complete search history.

(56) **References Cited**

U.S. PATENT DOCUMENTS

2,284,778	A	6/1942	Treiber	
2,727,253	A	12/1955	Tomsic	
2,857,643	A	10/1958	Tomsic	
3,092,848	A	6/1963	Gronvold	
4,336,635	A	6/1982	Lantz	
4,891,856	A	1/1990	Thornhill	
4,937,904	A	7/1990	Ross	
5,005,239	A	4/1991	Clark	
5,046,207	A	9/1991	Chamberlain	
5,555,578	A	9/1996	Wyatt et al.	
D387,602	S *	12/1997	Cerdan	D6/607
6,108,837	A	8/2000	Knebel, III	
6,161,235	A	12/2000	Smith et al.	
6,185,766	B1 *	2/2001	Farrugia	5/498
D448,230	S *	9/2001	Gillin	D6/607
D481,579	S *	11/2003	Colbert et al.	D6/607
7,698,759	B1	4/2010	Frasier	
2002/0062522	A1 *	5/2002	Deckert	5/504.1

OTHER PUBLICATIONS

Welcome to the BedBand Store, <http://shop.bedbandstore.com/>, at least as early as Aug. 24, 2012, 1 page.
Sheet Suspenders Ebay Advertisement, <http://www.ebay.com/itm/Sheet-Suspenders-/330780880609#vi-content>, at least as early as Aug. 24, 2012, 2 pages.

* cited by examiner

Primary Examiner — Janice Seeger

(74) *Attorney, Agent, or Firm* — Law Office of Karen Dana Oster, LLC

(57) **CLAIM**

I claim the ornamental design for a sheet straightener, as shown and described.

DESCRIPTION

FIG. 1 is a perspective view of the top of a sheet straightener with a cinching loop substantially spanning the space between the two halves of the “X.”

FIG. 2 is a perspective view of the bottom of the sheet straightener.

FIG. 3 is a top plan view of the sheet straightener.

FIG. 4 is a bottom plan view of the sheet straightener.

FIG. 5 is a first side view of the sheet straightener, the second side being a mirror image thereof.

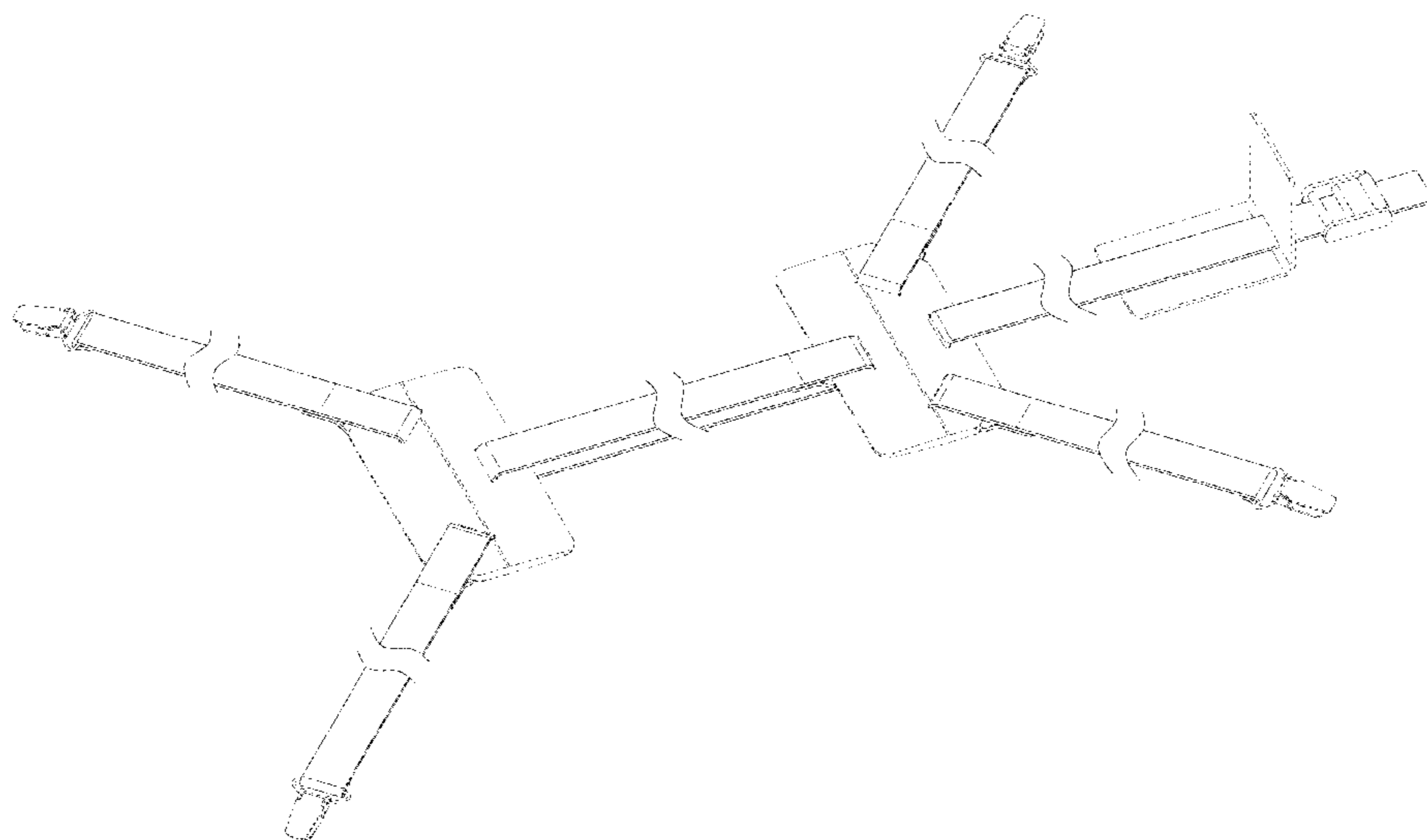
FIG. 6 is a first end view of the sheet straightener; and,

FIG. 7 is a second end view of the sheet straightener.

Components shown in broken line depictions are included for environmental purposes and form no part of the claimed design.

The straps are shown broken away to indicate no specific length.

1 Claim, 5 Drawing Sheets



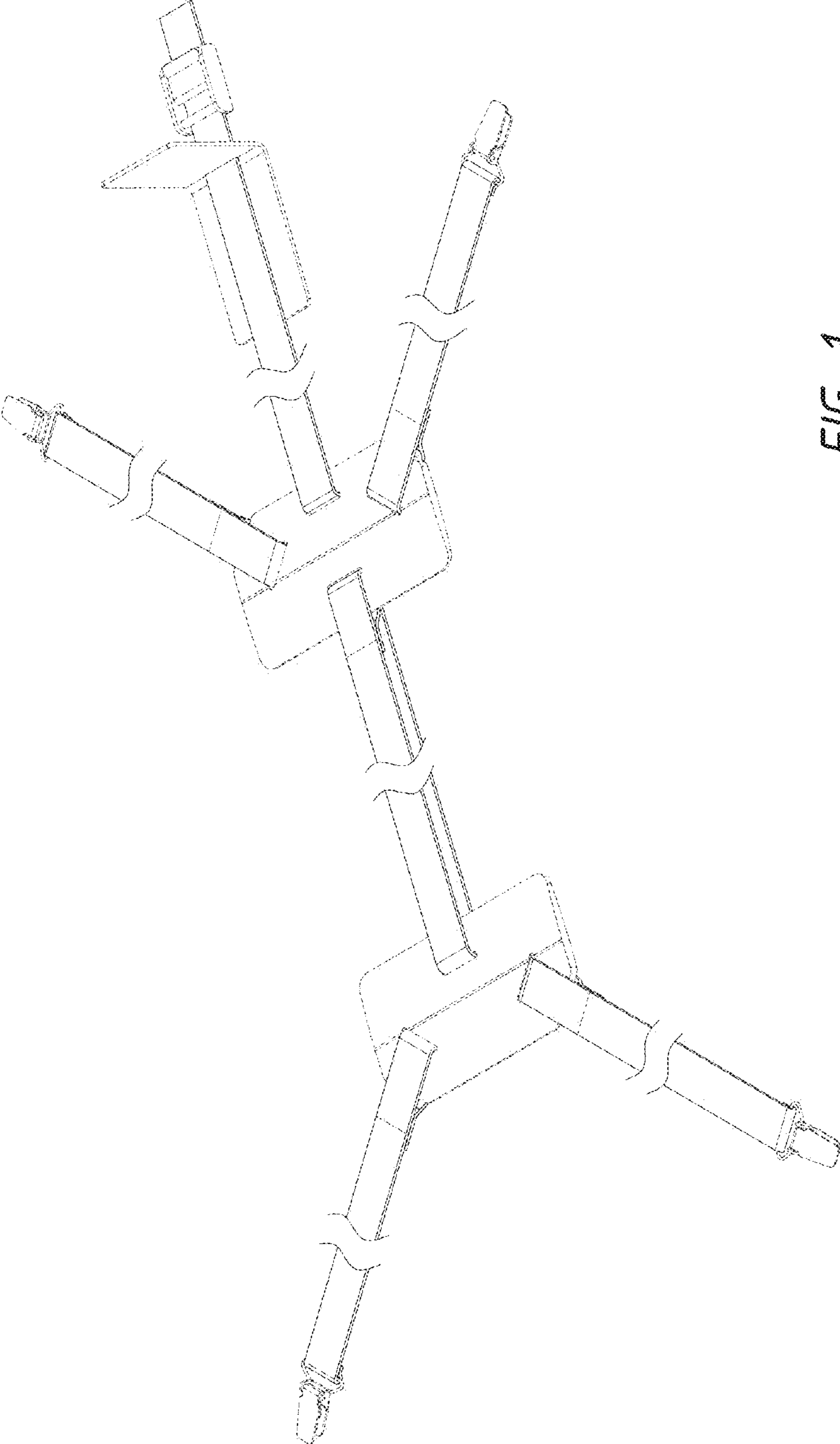


FIG. 1

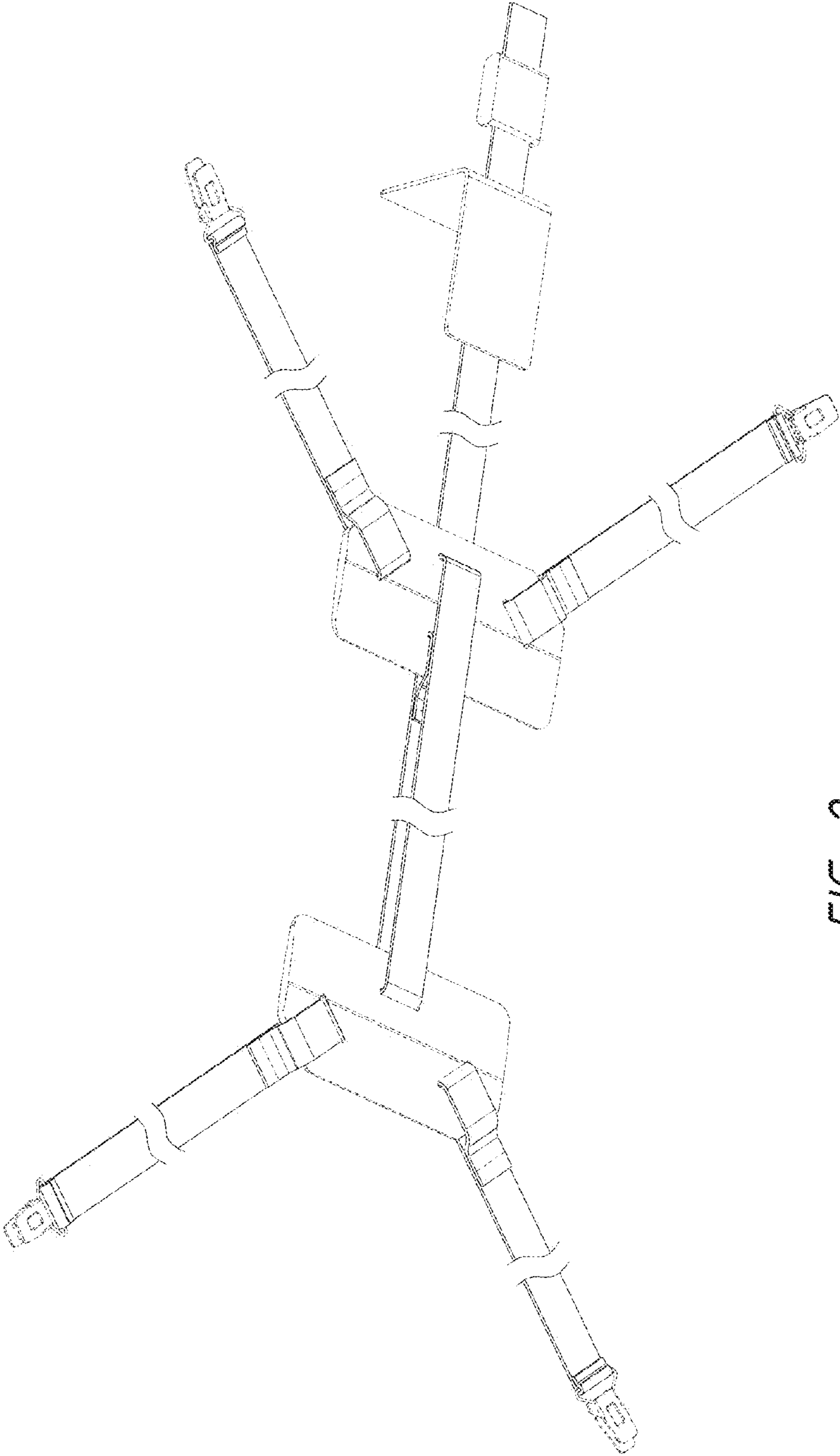


FIG. 2

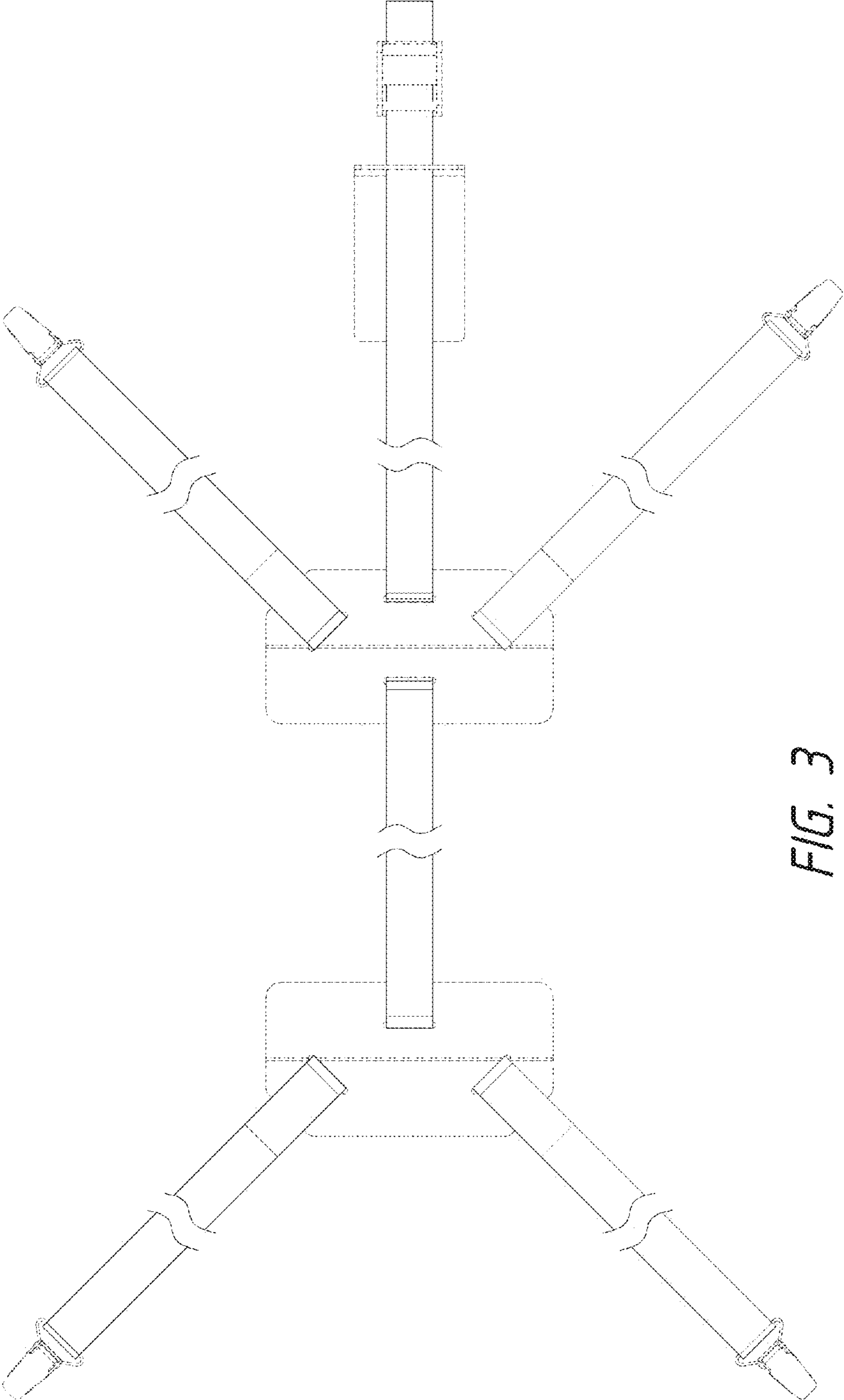


FIG. 3

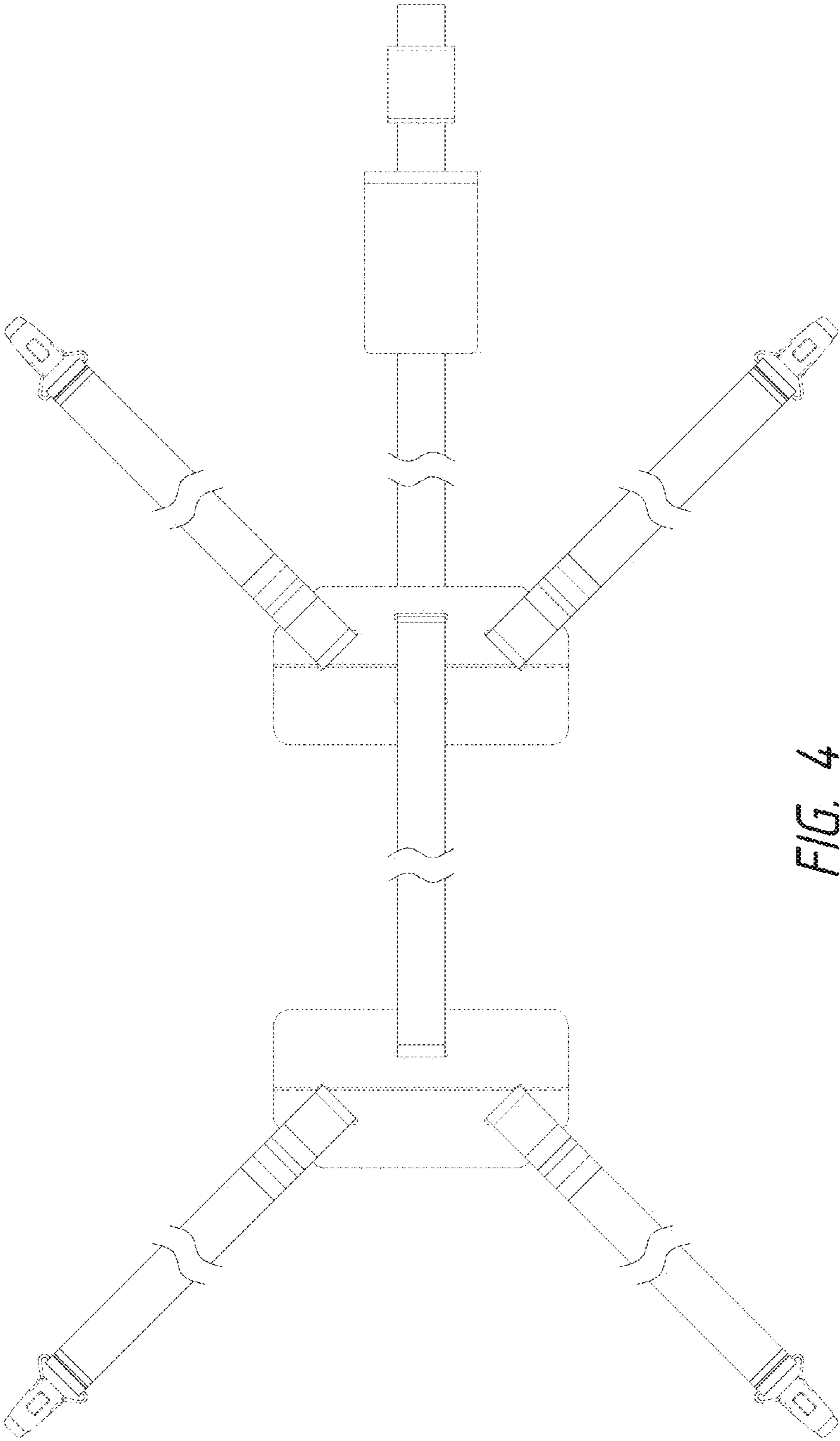


FIG. 4

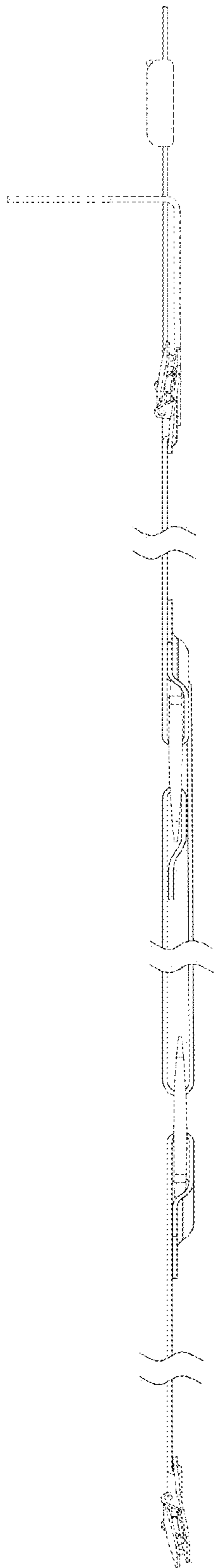


FIG. 5

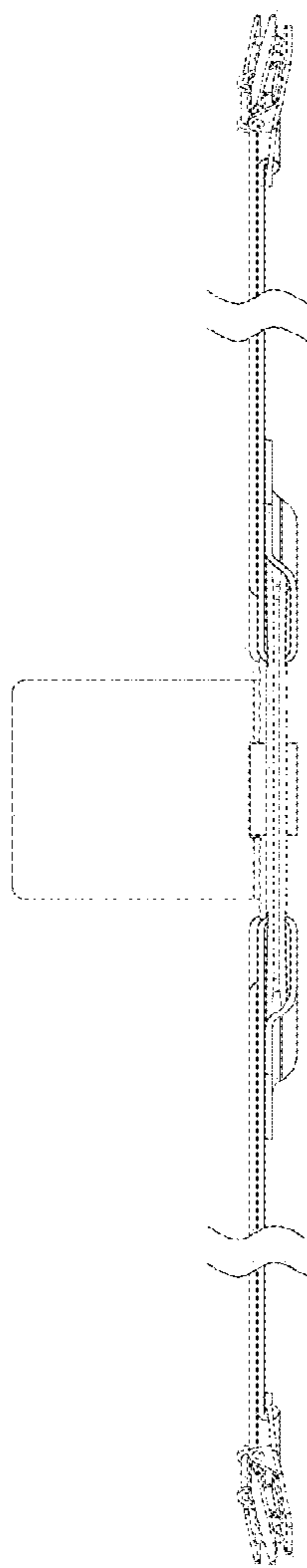


FIG. 6

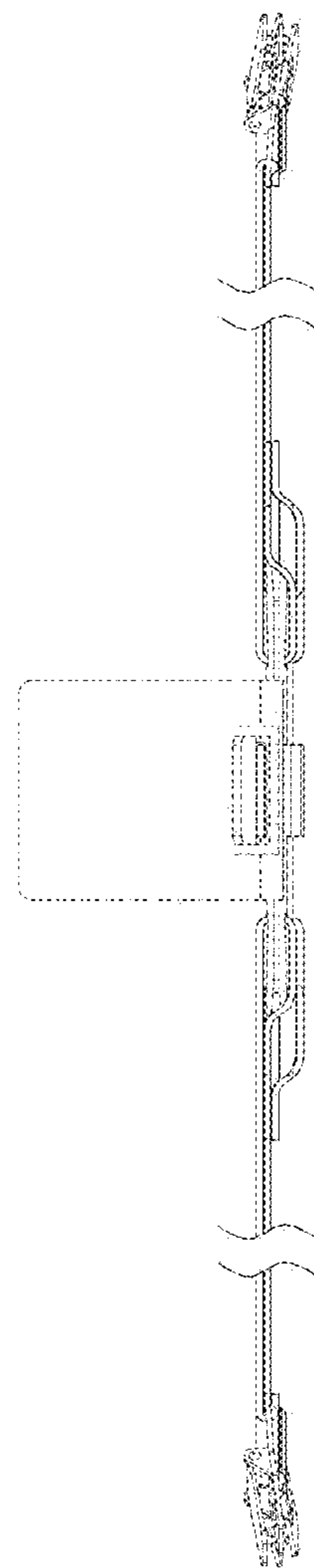


FIG. 7

UNITED STATES PATENT AND TRADEMARK OFFICE
CERTIFICATE OF CORRECTION

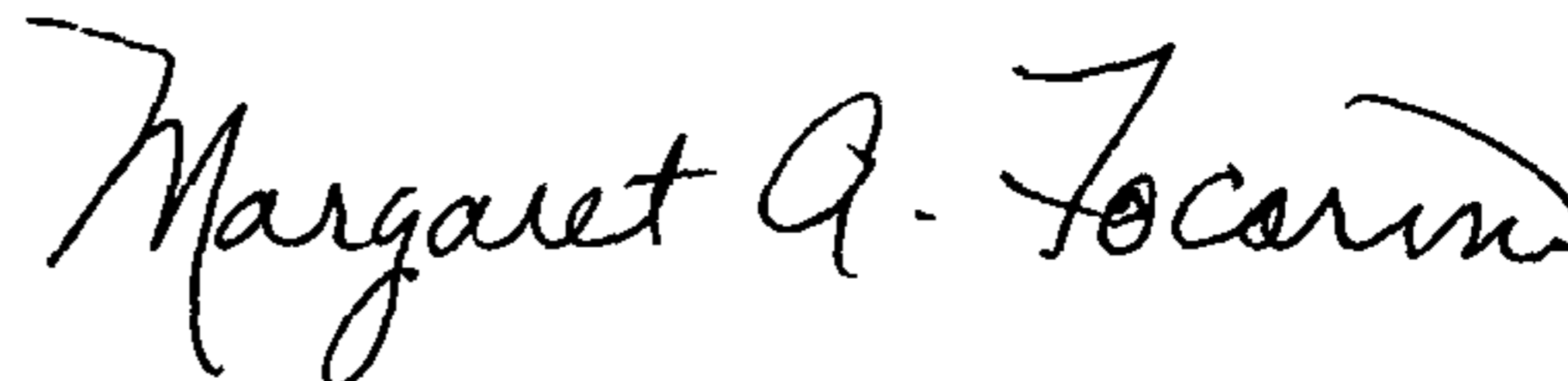
PATENT NO. : D690,539 S
APPLICATION NO. : 29/430449
DATED : October 1, 2013
INVENTOR(S) : David Glenn Grill

Page 1 of 1

It is certified that error appears in the above-identified patent and that said Letters Patent is hereby corrected as shown below:

On the Title page, Item [54] and in the Specification, Column 1, Line 1, delete “**STRAIGHTENER**”
and insert -- “**STRAIGHTENER**” -- therefor.

Signed and Sealed this
Thirty-first Day of December, 2013



Margaret A. Focarino
Commissioner for Patents of the United States Patent and Trademark Office