



US00D690533S

(12) **United States Design Patent**  
**Majcher**

(10) **Patent No.:** **US D690,533 S**

(45) **Date of Patent:** **\*\* Oct. 1, 2013**

(54) **SHOWER SHELF**

(71) Applicant: **Thomas Joseph Majcher**, Orchard Lake, MI (US)

(72) Inventor: **Thomas Joseph Majcher**, Orchard Lake, MI (US)

(73) Assignee: **Outlook Innovation LLC**, Orchard Lake, MI (US)

(\*\*) Term: **14 Years**

(21) Appl. No.: **29/443,661**

(22) Filed: **Jan. 21, 2013**

(51) **LOC (9) Cl.** ..... **06-04**

(52) **U.S. Cl.**  
USPC ..... **D6/574**

(58) **Field of Classification Search**  
USPC ..... D6/329, 396, 417, 552, 553, 567,  
D6/574; 108/152; 211/13.1, 49.1, 60.1,  
211/64, 70.5, 86.01, 87.01, 88.01, 89.01,  
211/181.1; 248/560, 121, 175, 200, 302,  
248/304, 309.1, 310, 312

See application file for complete search history.

(56) **References Cited**

U.S. PATENT DOCUMENTS

D546,611	S	*	7/2007	Bouroullec et al.	.....	D6/574
D594,261	S	*	6/2009	Maxwell	.....	D6/574
D598,228	S	*	8/2009	West	.....	D6/574
D660,633	S	*	5/2012	Estrup	.....	D6/574

\* cited by examiner

*Primary Examiner* — Brian N Vinson

(57) **CLAIM**

The ornamental design for a shower shelf, as shown and described.

**DESCRIPTION**

FIG. 1 is a top perspective view of a shower shelf showing my new design;  
FIG. 2 is a rear perspective view thereof;  
FIG. 3 is a front elevational view thereof;  
FIG. 4 is a right side view thereof, with the left side being a mirror image thereof; and,  
FIG. 5 is a bottom perspective view thereof.

**1 Claim, 2 Drawing Sheets**

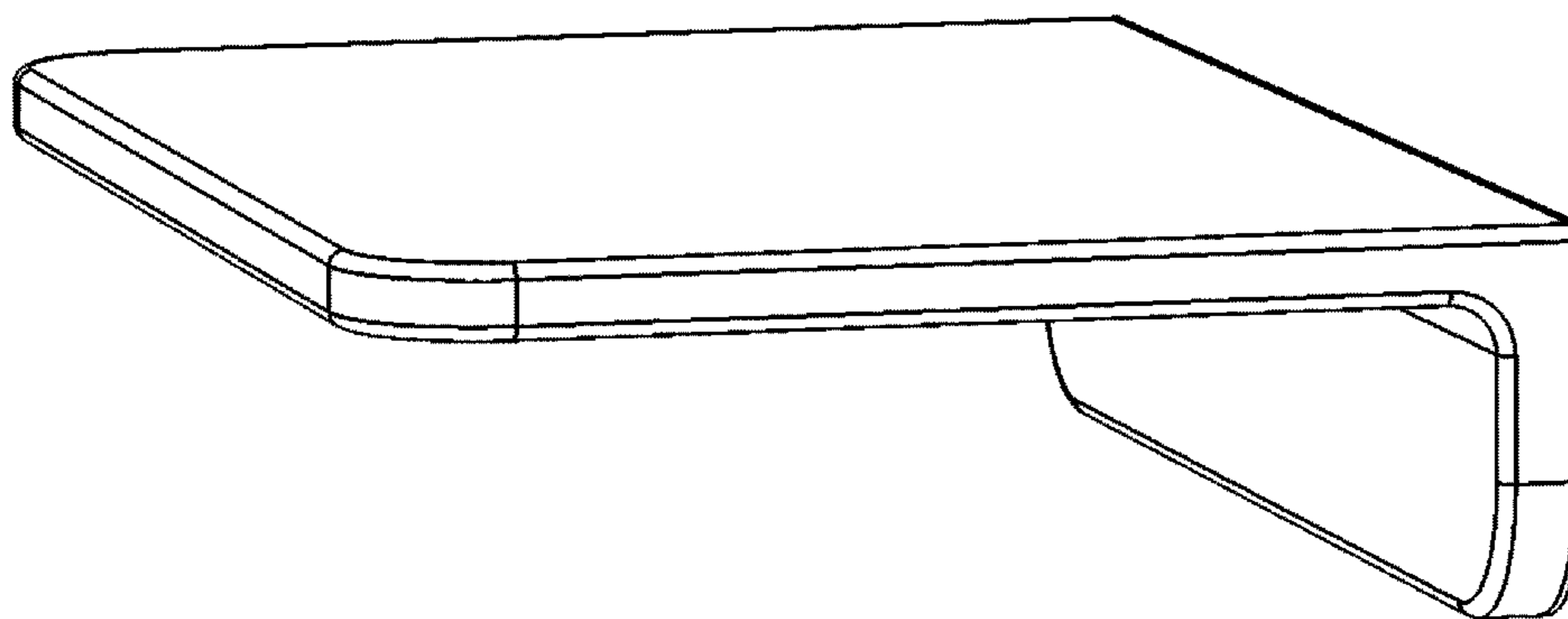


FIGURE 1

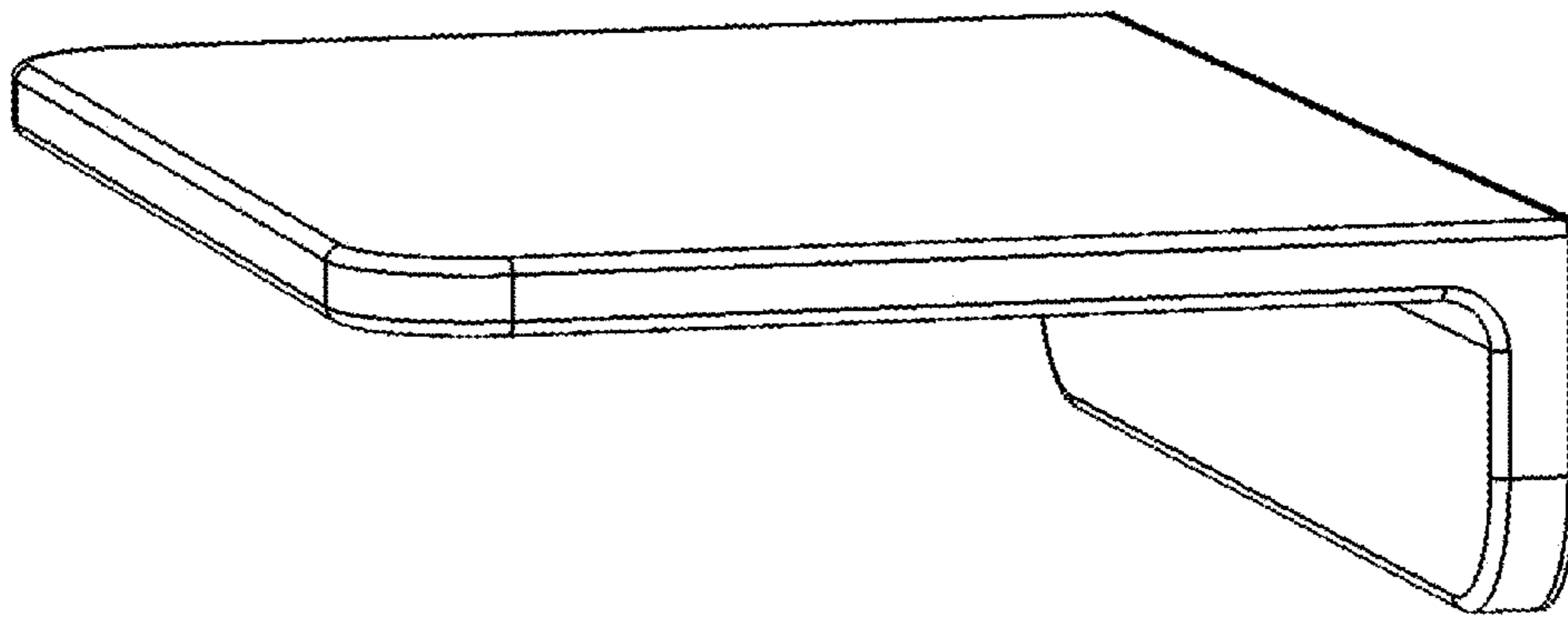


FIGURE 2

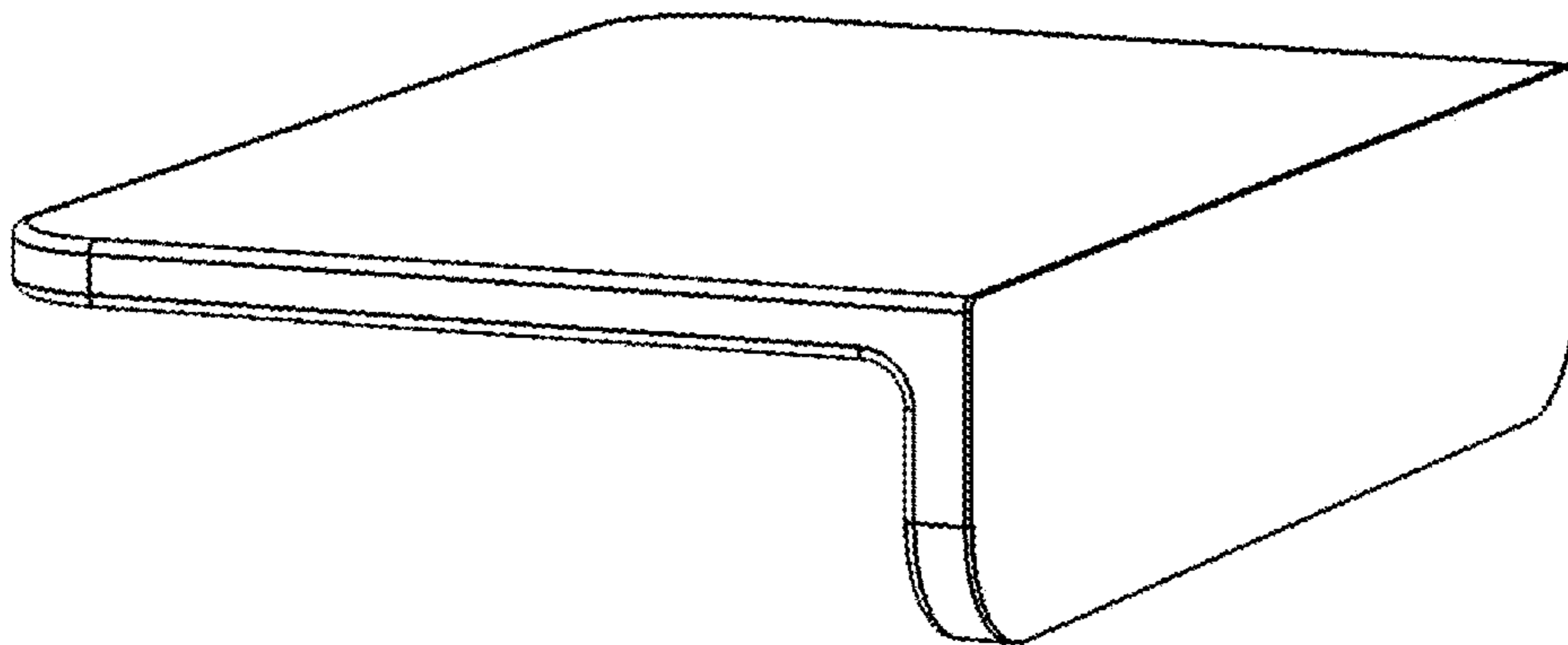


FIGURE 3

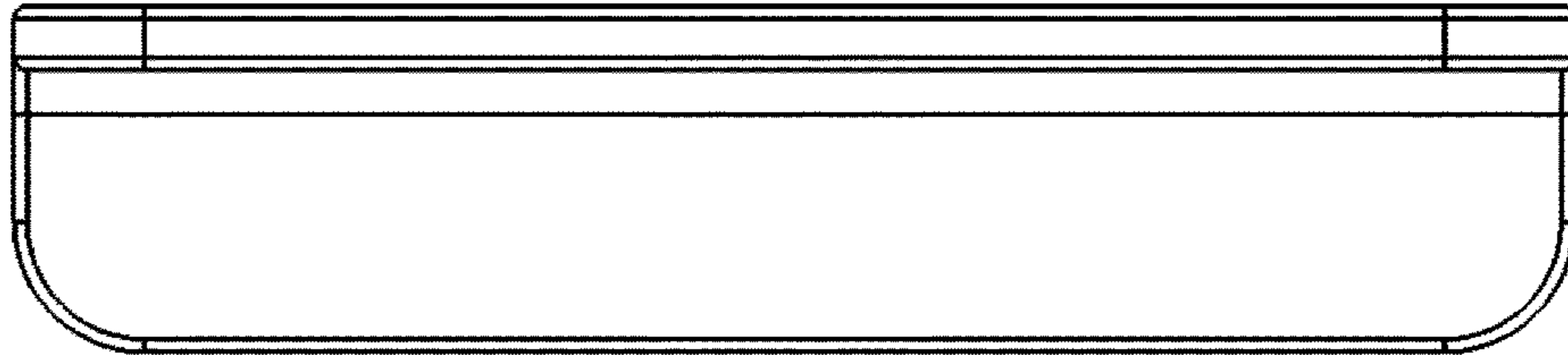


FIGURE 4

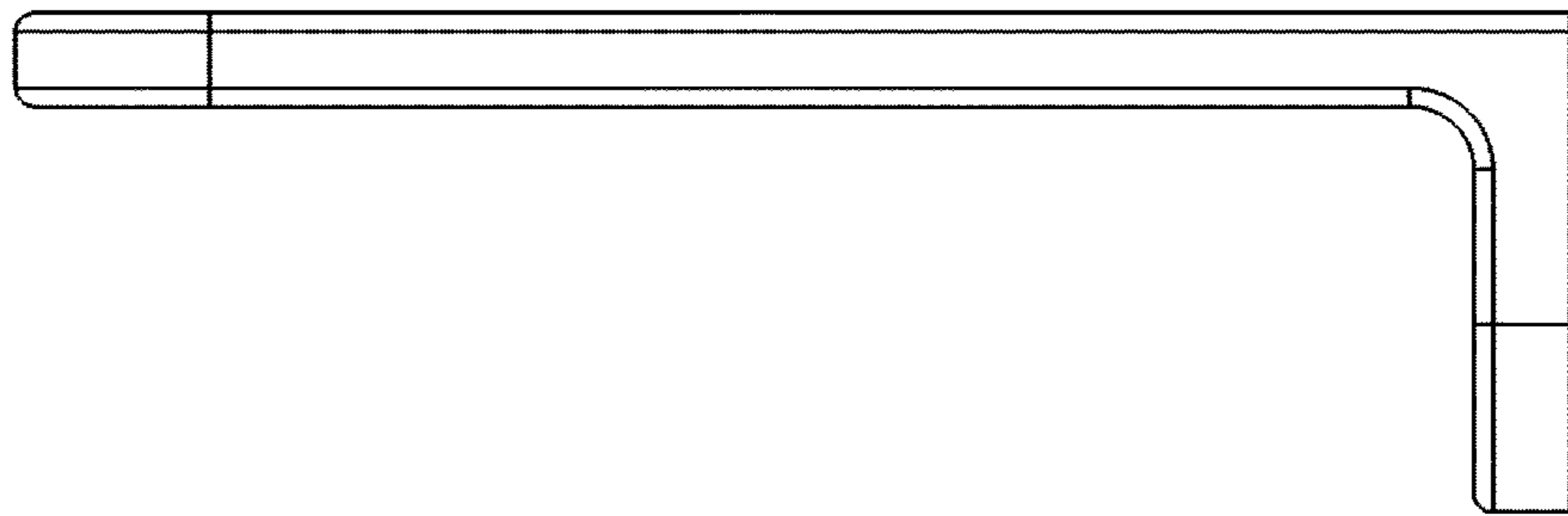


FIGURE 5

