



US00D690532S

(12) **United States Design Patent**
Gilboe et al.

(10) **Patent No.:** **US D690,532 S**

(45) **Date of Patent:** **** Oct. 1, 2013**

(54) **TOWEL/PAPER HOLDER**

(75) Inventors: **Kevin J. Gilboe**, Woodbury, MN (US);
Jeremy A. Abel, Oswego, IL (US);
Justin B. Peart, Lisle, IL (US);
Matthew J. Nettenstrom, Streamwood,
IL (US); **Thomas M. McKeon**,
Wheaton, IL (US); **Angela L. Pan**,
Woodbury, MN (US); **Craig D.**
Thompson, Inver Grove Heights, MN
(US)

(73) Assignee: **3M Innovative Properties Company**,
St. Paul, MN (US)

(**) Term: **14 Years**

(21) Appl. No.: **29/416,829**

(22) Filed: **Mar. 27, 2012**

(51) **LOC (9) Cl.** **06-04**

(52) **U.S. Cl.**
USPC **D6/550; D6/546**

(58) **Field of Classification Search**
USPC D6/518-524, 546-550; D8/300,
D8/370, 315; 108/28-29; 211/13.1, 16,
211/85.5, 86.01, 87.01, 88.04, 100, 105.1,
211/105.2, 106, 113, 123, 181.1, 182-183;
248/49, 175, 176.1, 200, 201, 205.1, 251,
248/302, 309.1, 315; 242/570, 590, 595-598
See application file for complete search history.

(56) **References Cited**

U.S. PATENT DOCUMENTS

D432,838 S *	10/2000	Gastelum et al.	D6/546
D432,839 S *	10/2000	Gastelum et al.	D6/546
D437,162 S *	2/2001	Fiegl et al.	D6/546
D501,746 S *	2/2005	Gilbert	D6/550

D515,860 S *	2/2006	Lai	D6/550
D528,336 S *	9/2006	Chang	D6/550
D530,958 S *	10/2006	Gilbert	D6/550
D563,132 S *	3/2008	Ricereto	D6/524
D563,702 S *	3/2008	Ricereto	D6/524
D573,825 S *	7/2008	Rubin et al.	D6/546
D606,791 S *	12/2009	Koury	D6/549
D647,185 S *	10/2011	Gilbert	D6/546

* cited by examiner

Primary Examiner — Brian N Vinson

(74) *Attorney, Agent, or Firm* — Irina Hass

(57) **CLAIM**

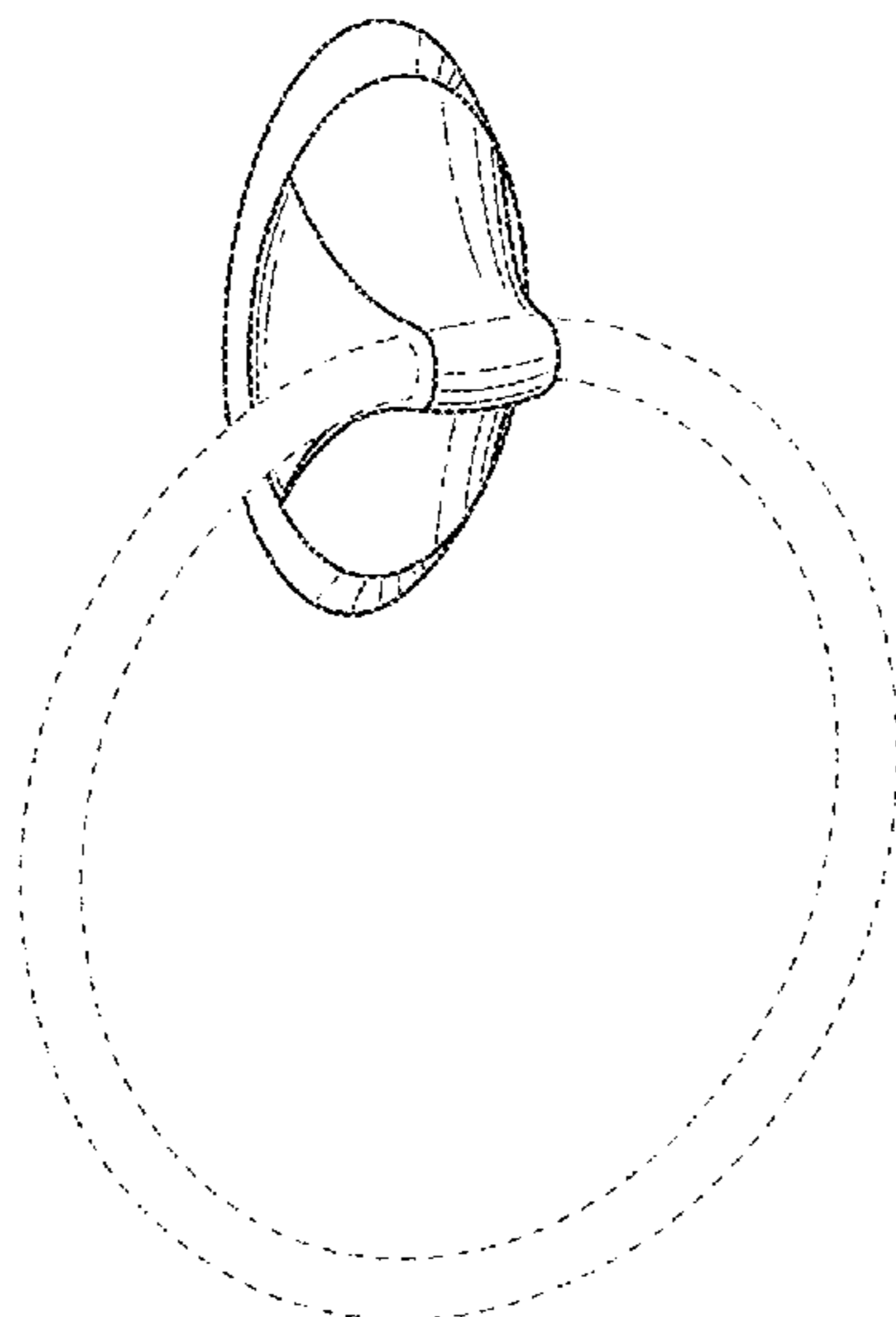
The ornamental design for a towel/paper holder, as shown and described.

DESCRIPTION

FIG. 1 is a perspective view of a first embodiment of a towel/paper holder showing the new design;
FIG. 2 is a front view thereof;
FIG. 3 is a rear view thereof;
FIG. 4 is a top view thereof;
FIG. 5 is a bottom view thereof;
FIG. 6 is a right side view thereof, the left side view being a mirror image thereof;
FIG. 7 is a perspective view of a second embodiment of a towel/paper holder showing the new design;
FIG. 8 is a front view thereof;
FIG. 9 is a rear view thereof;
FIG. 10 is a top view thereof;
FIG. 11 is a bottom view thereof;
FIG. 12 is a left side view thereof; and,
FIG. 13 is a right side view thereof.

The broken lines in the drawings are shown for illustrative purposes only and form no part of the claimed design.

1 Claim, 4 Drawing Sheets



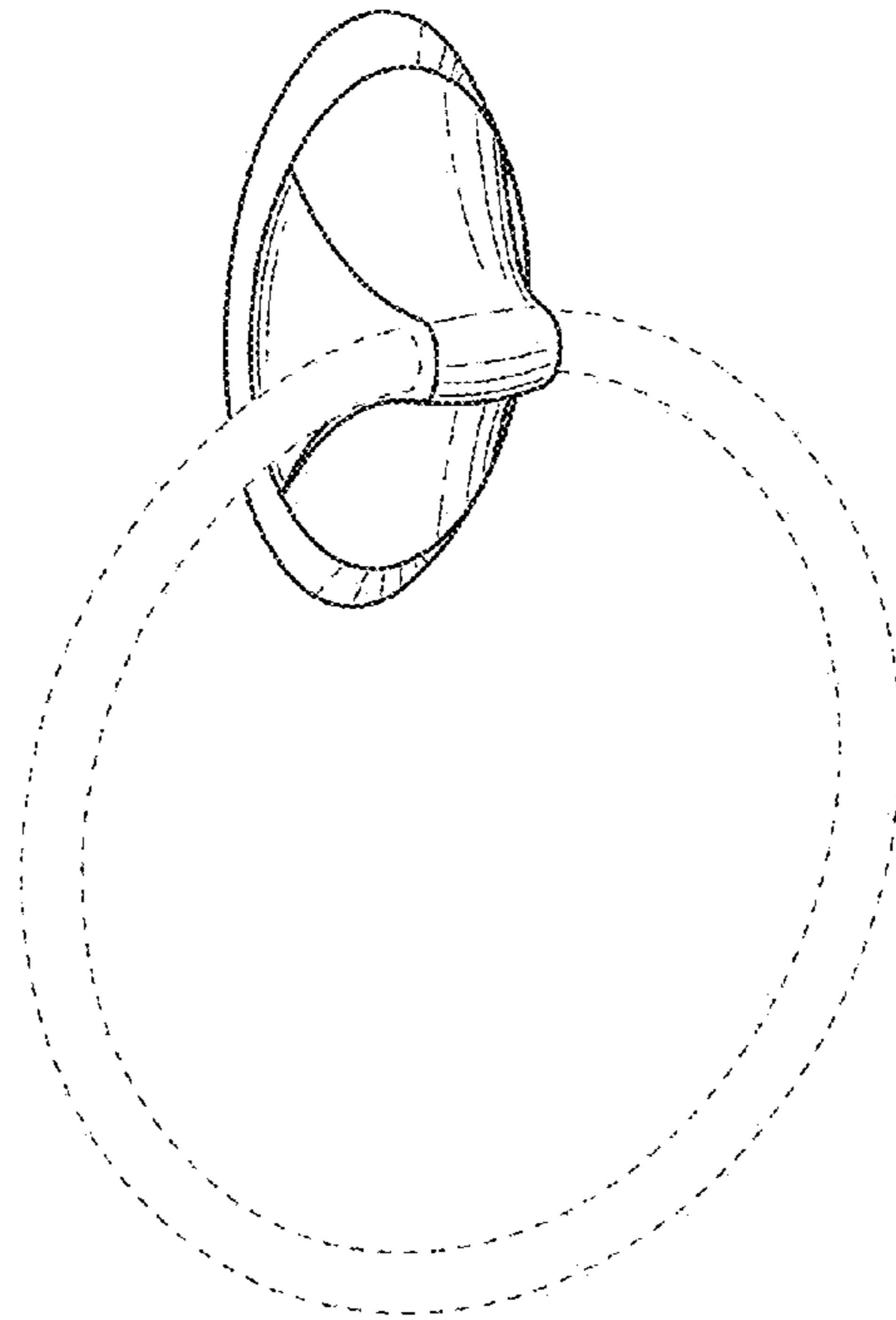


Fig. 1

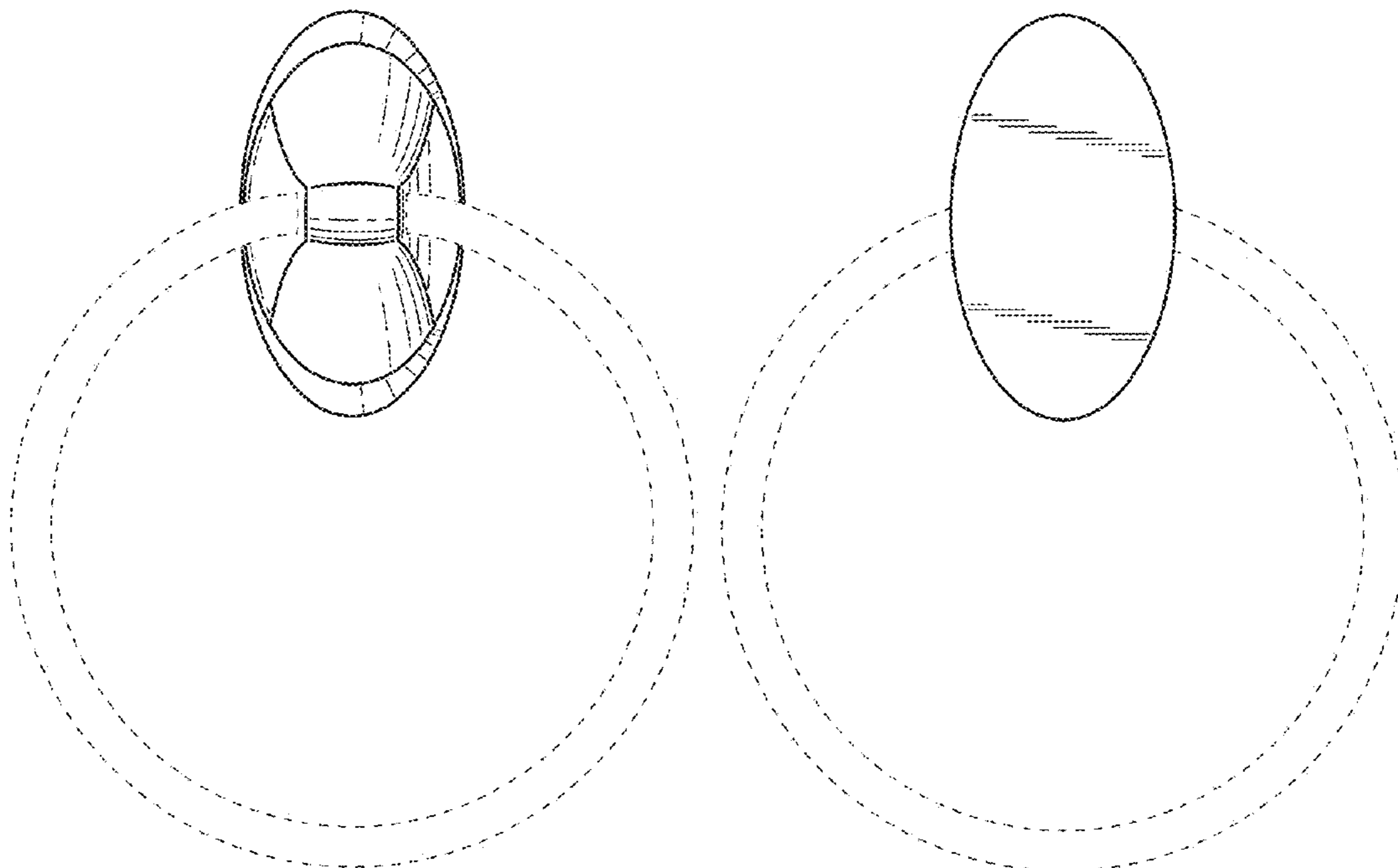


Fig. 2

Fig. 3

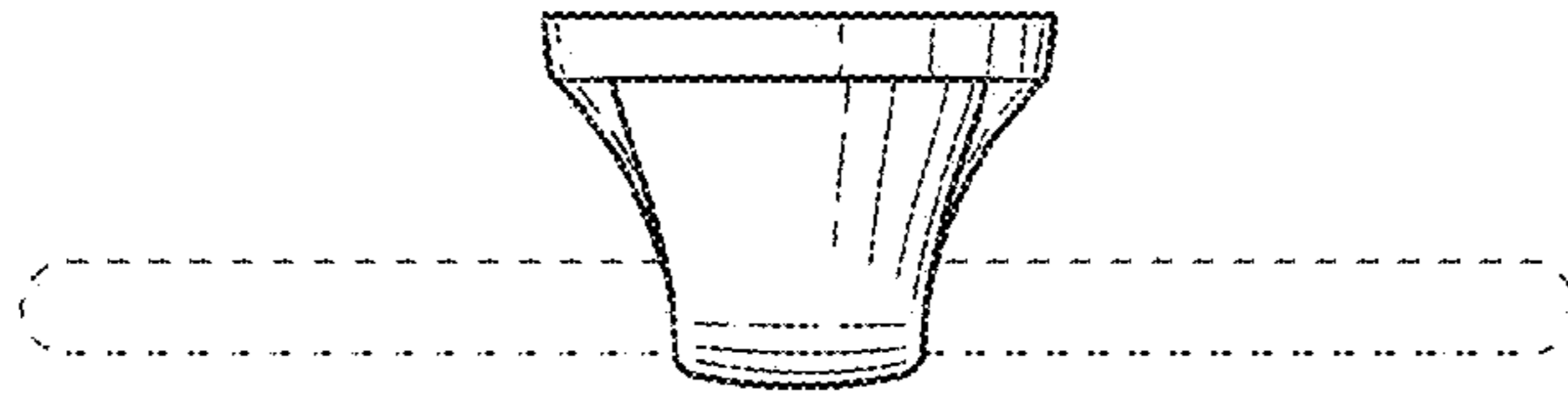


Fig. 4

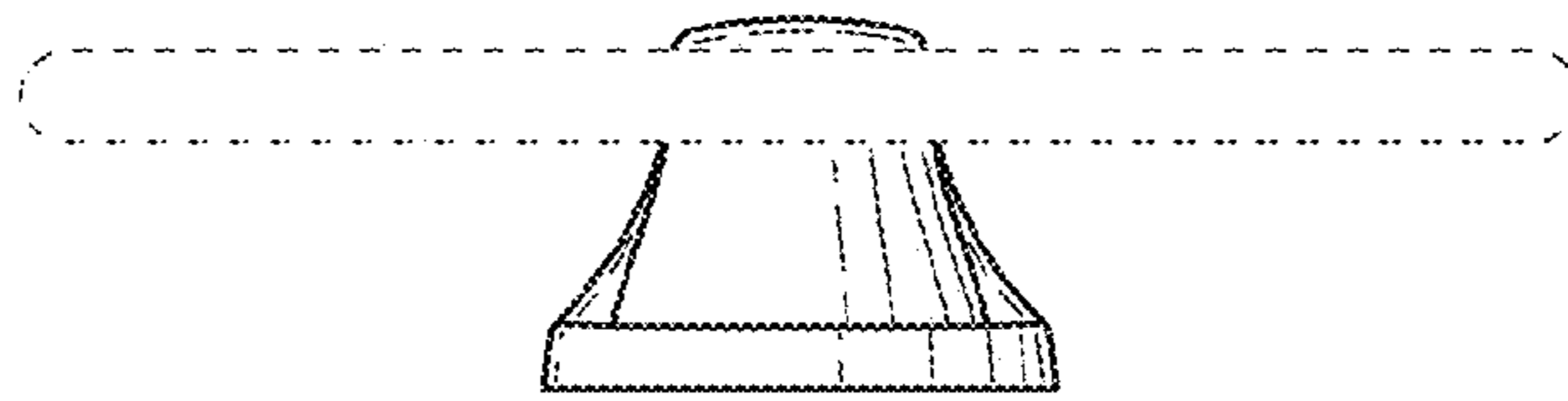


Fig. 5

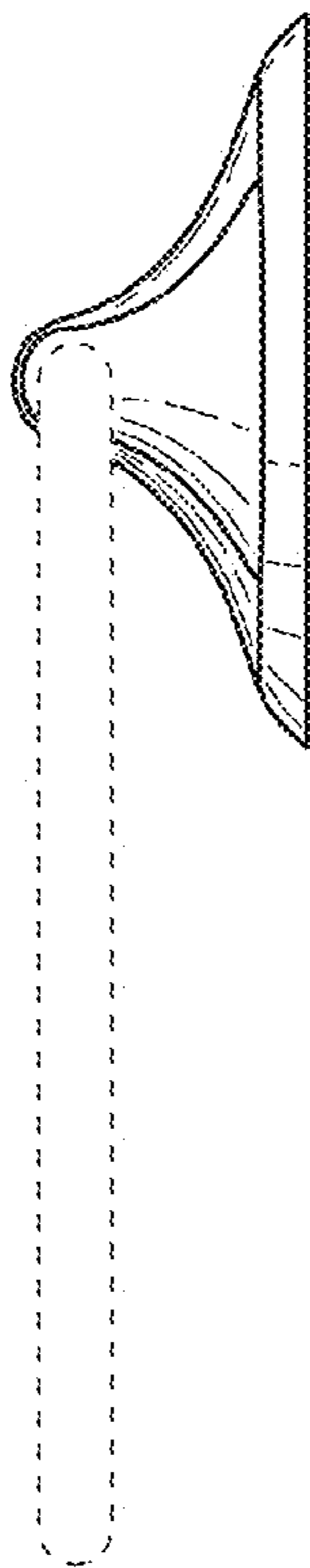


Fig. 6

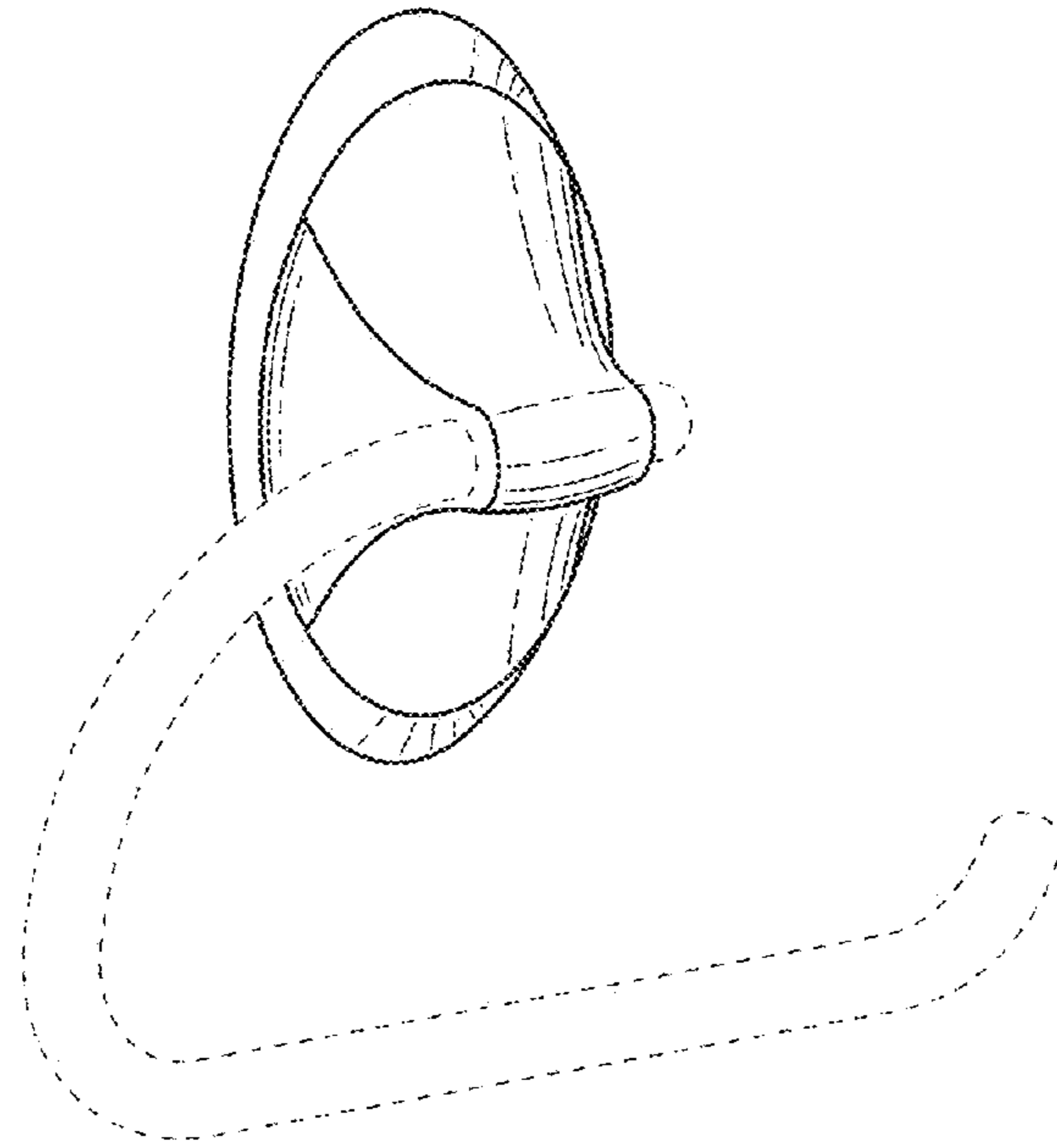


Fig. 7

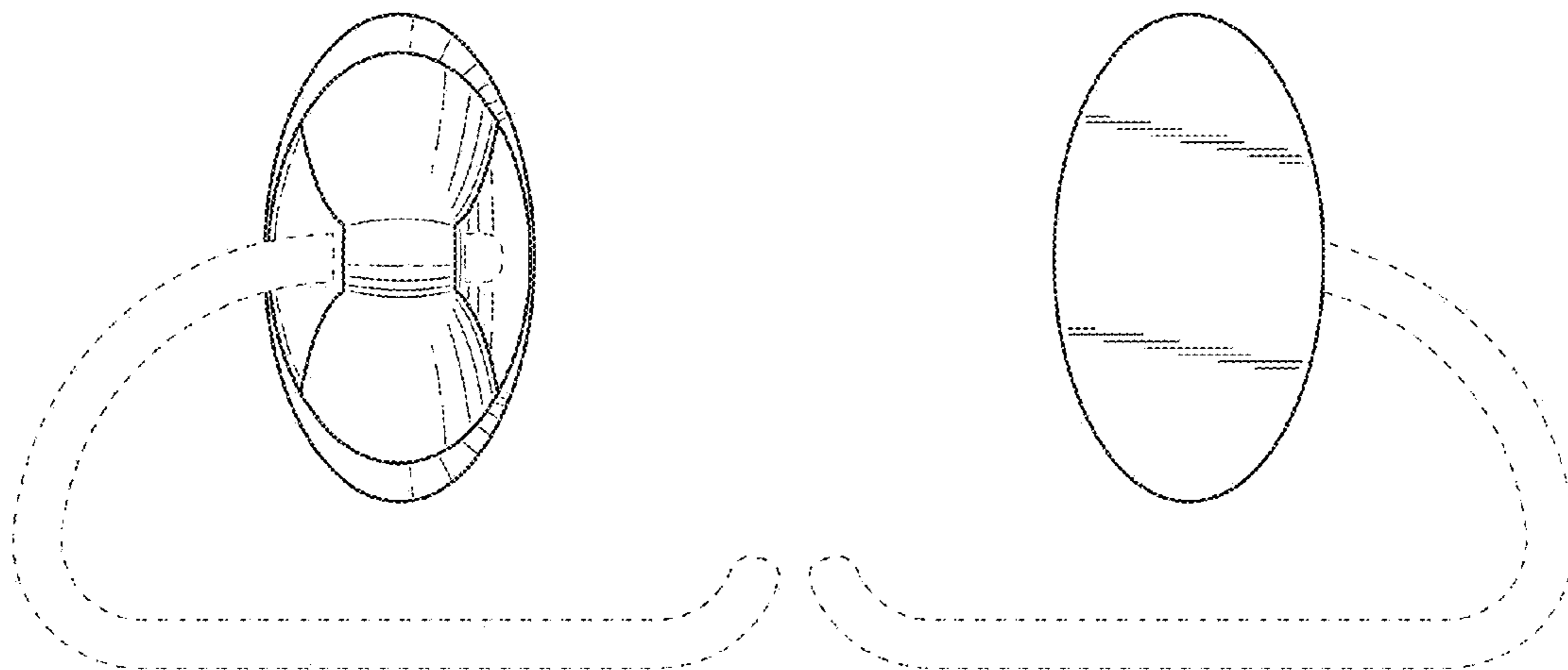


Fig. 8

Fig. 9

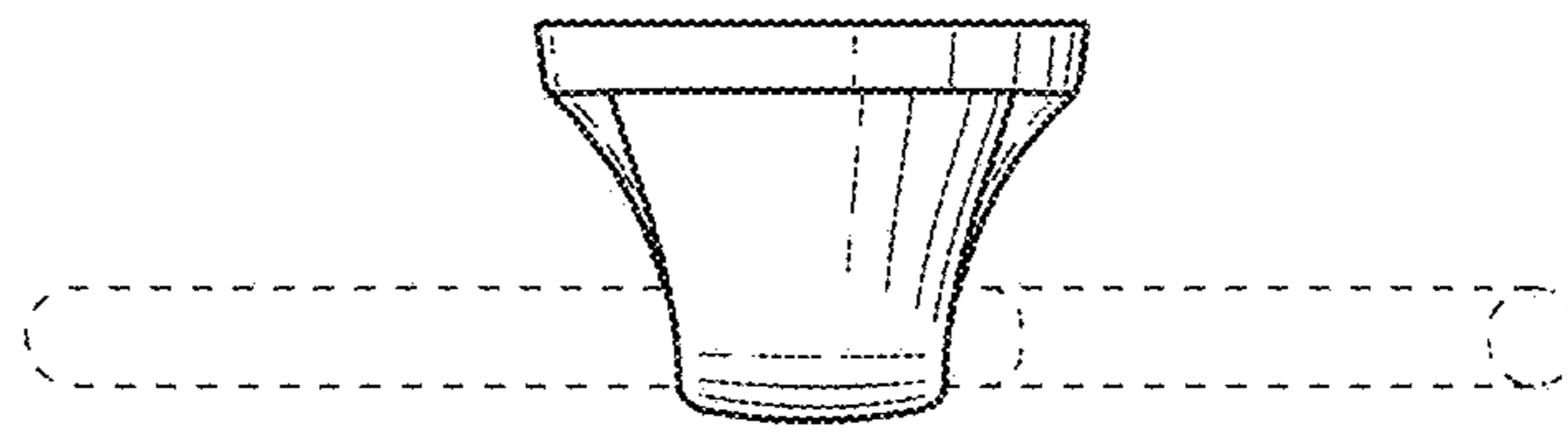


Fig. 10

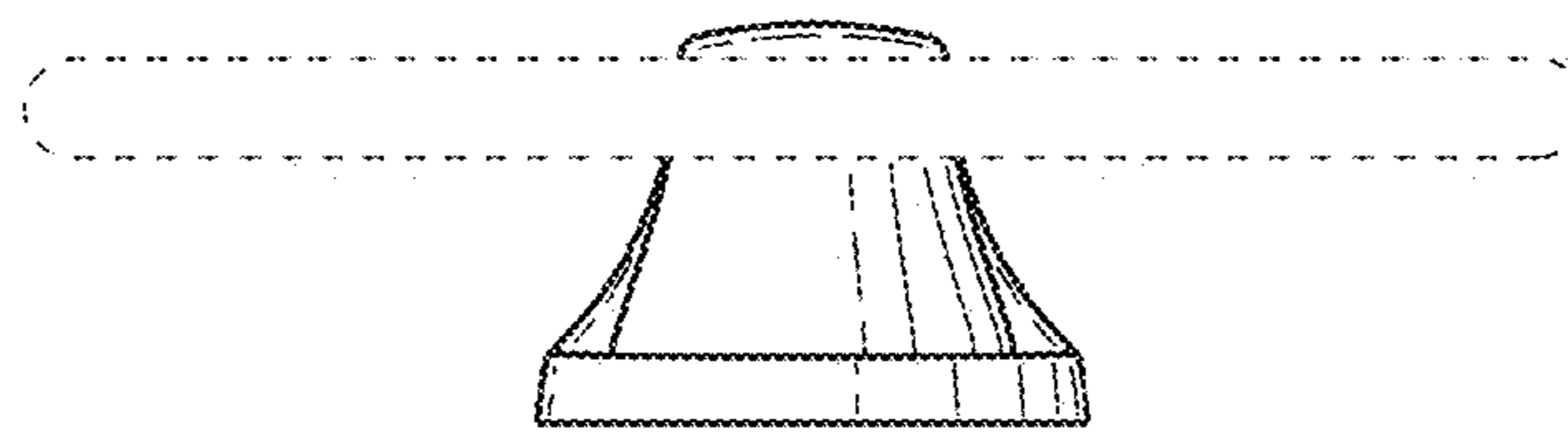


Fig. 11

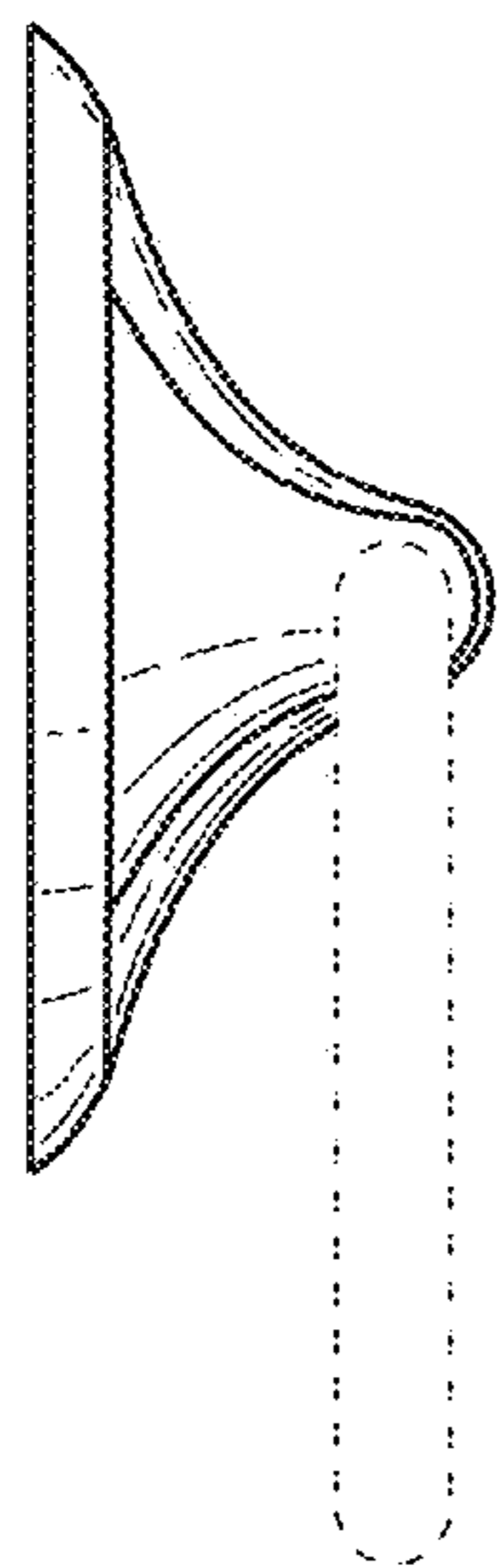


Fig. 12

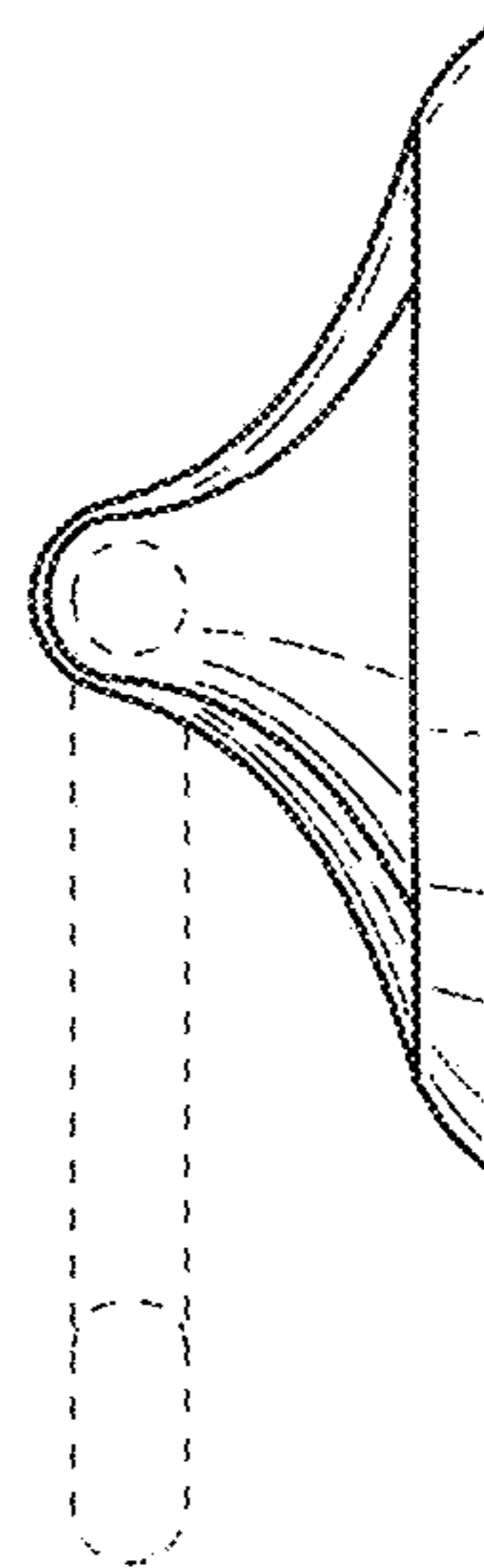


Fig. 13