

US00D690527S

(12) **United States Design Patent**  
**al-Rawi**

(10) **Patent No.:** **US D690,527 S**

(45) **Date of Patent:** **\*\* Oct. 1, 2013**

(54) **BED**

(75) Inventor: **Luay al-Rawi**, Bentveld (NL)

(73) Assignee: **Restoration Hardware, Inc.**, Corte  
Madera, CA (US)

(\*\*) Term: **14 Years**

(21) Appl. No.: **29/429,555**

(22) Filed: **Aug. 13, 2012**

(51) **LOC (9) Cl.** ..... **06-02**

(52) **U.S. Cl.**  
USPC ..... **D6/393; D6/718.25**

(58) **Field of Classification Search**  
USPC ..... D6/382-384, 392-395, 702, 718,  
D6/718.13, 718.25; 5/53.1, 279.1, 280, 281,  
5/907, 308, 236.1, 178

See application file for complete search history.

(56) **References Cited**

U.S. PATENT DOCUMENTS

D24,103 S *	3/1895	Schlesinger .....	D6/393
D24,326 S *	5/1895	Wiessner .....	D6/393
D26,689 S *	2/1897	Frank .....	D6/505
D436,262 S *	1/2001	Vaaler .....	D6/393

\* cited by examiner

*Primary Examiner* — Janice Seeger

(74) *Attorney, Agent, or Firm* — Lewis and Roca LLP

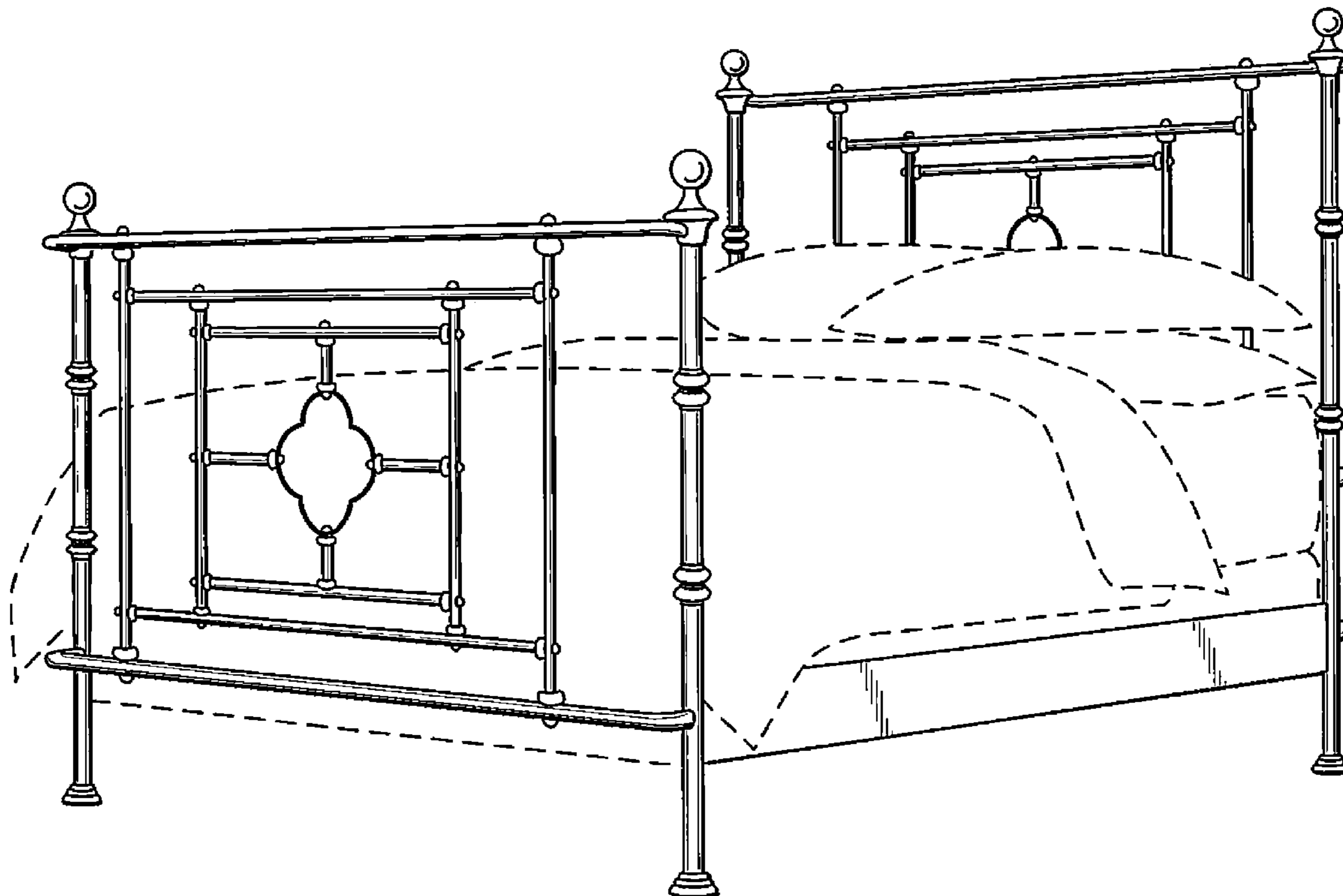
(57) **CLAIM**

The ornamental design for a bed, as shown and described.

**DESCRIPTION**

FIG. 1 is a perspective view of a bed showing my new design; FIG. 2 is a top plan view thereof; FIG. 3 is a front elevational view thereof; and, FIG. 4 is a right side elevational view (left side elevational view is a mirror image thereof). The broken lines shown in the drawings are for illustrative purposes only and form no part of the claimed design.

**1 Claim, 3 Drawing Sheets**



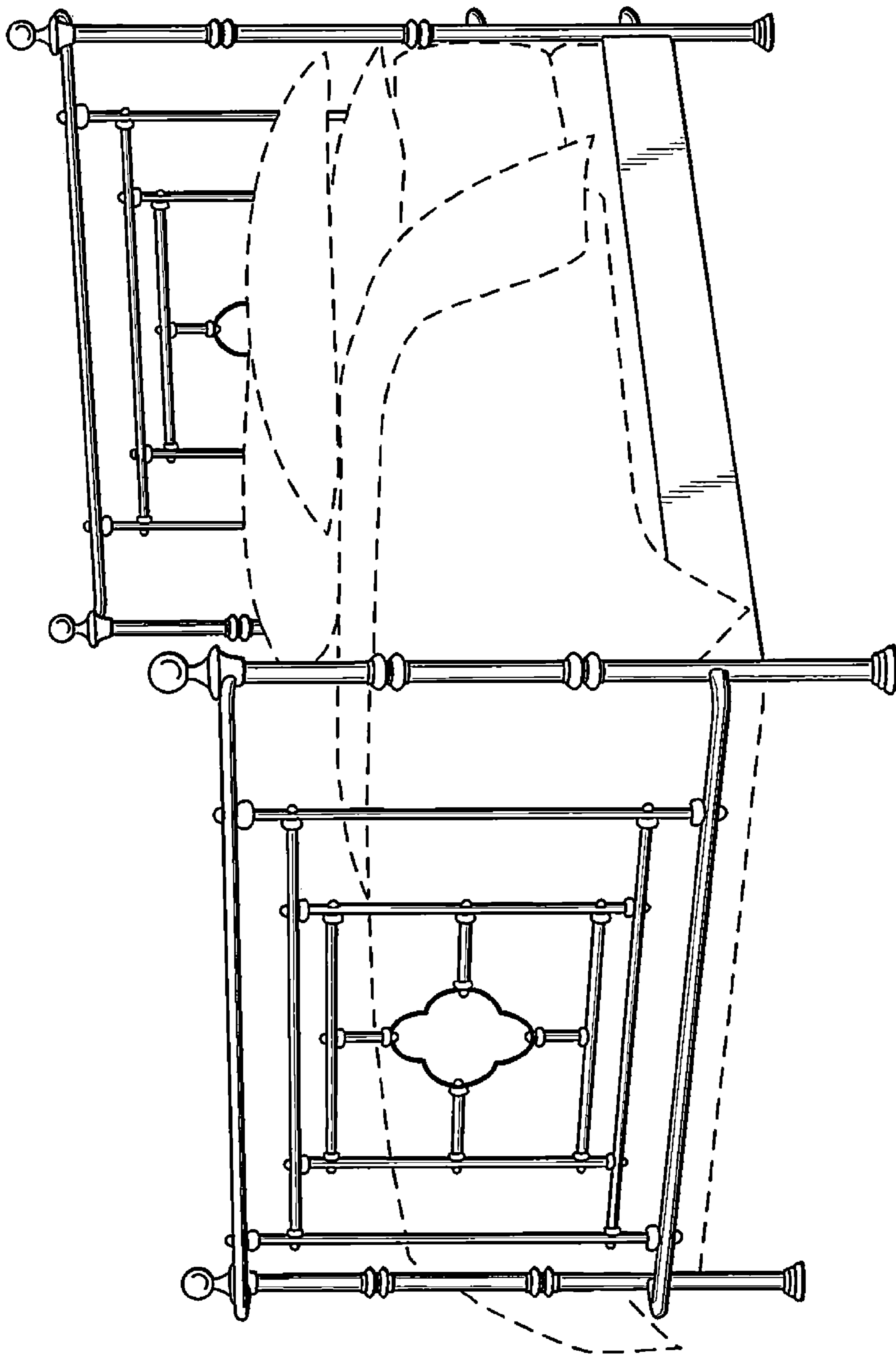
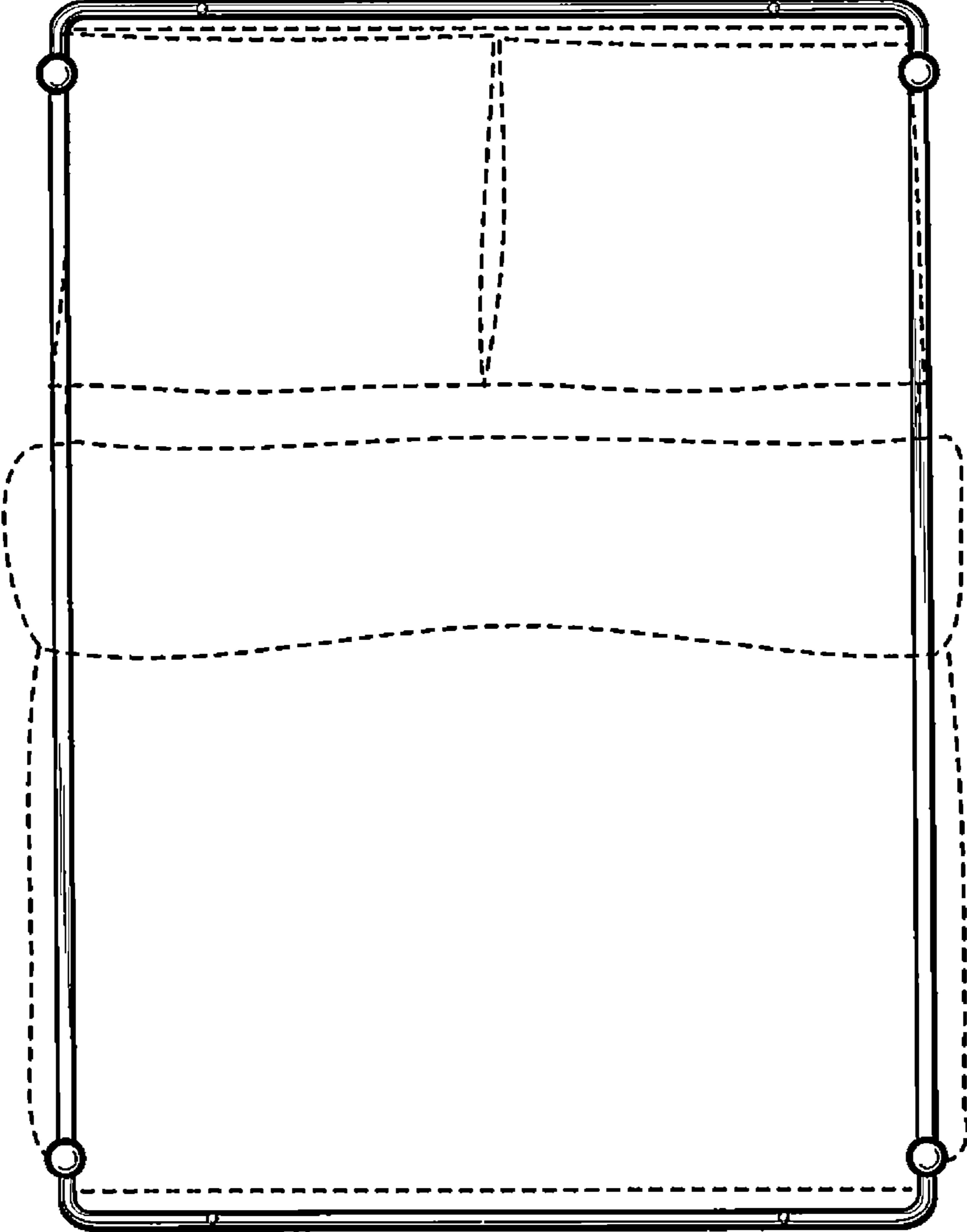


FIG. 1



**FIG. 2**

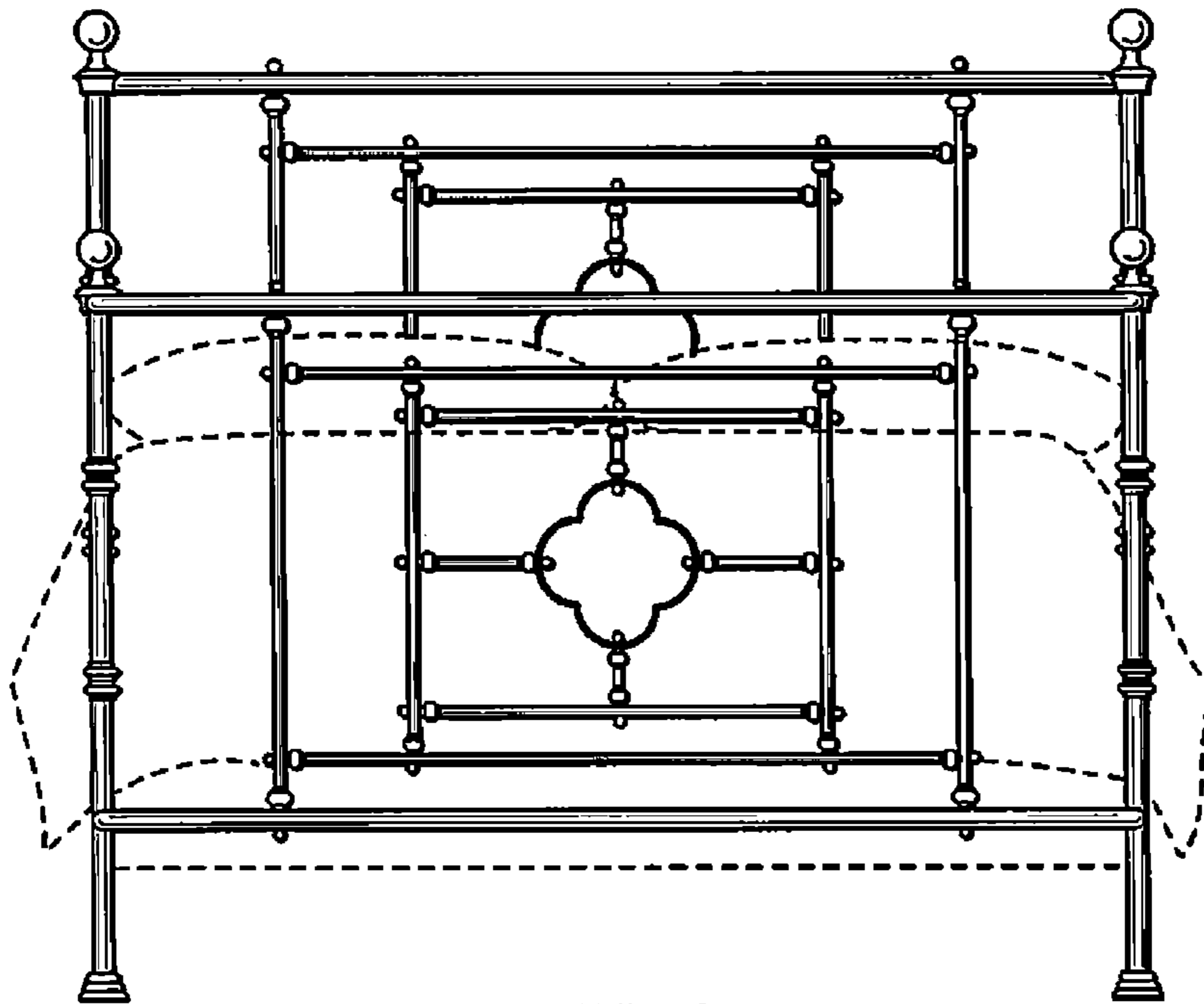


FIG. 3

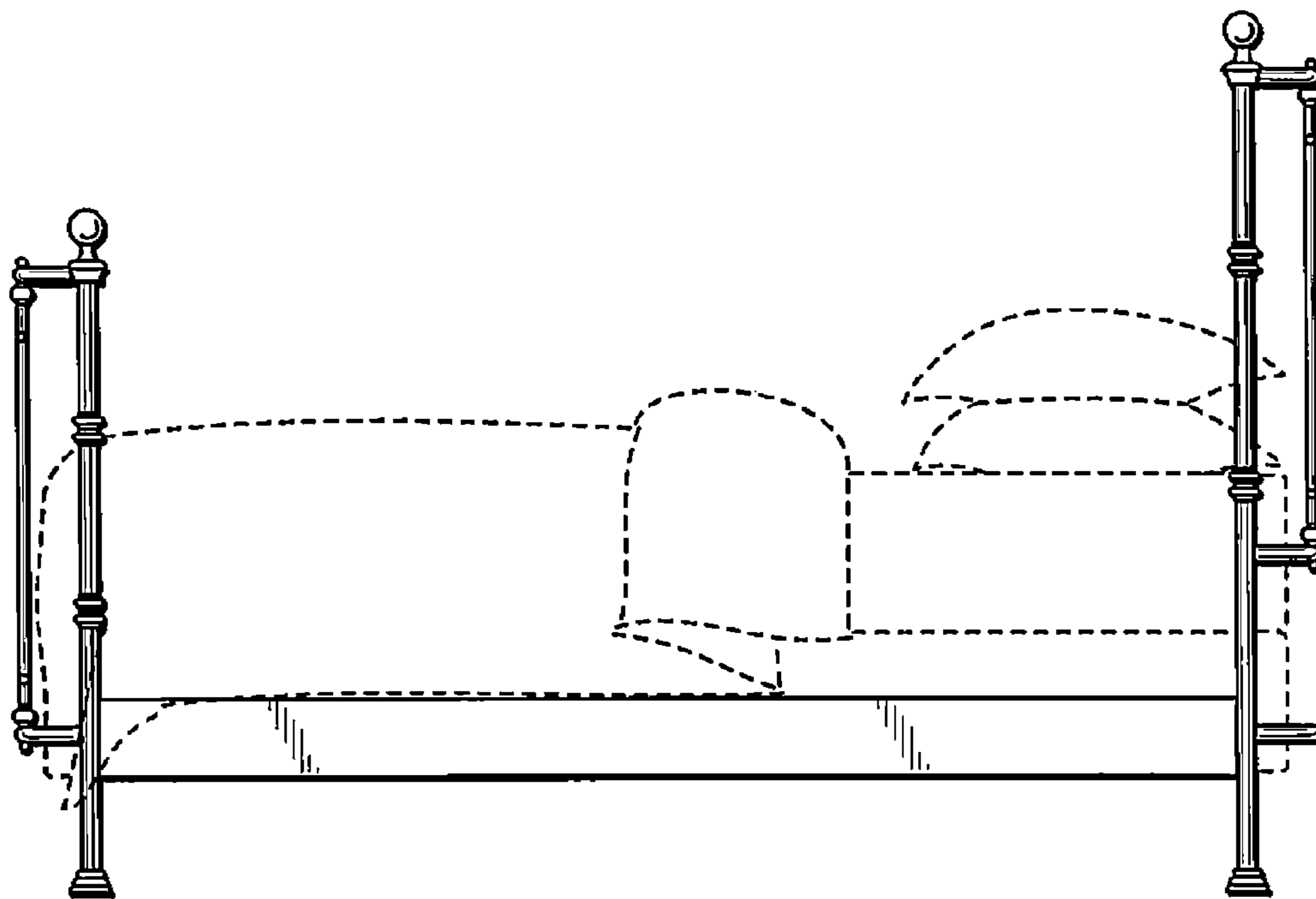


FIG. 4