

US00D690523S

(12) **United States Design Patent**
Choi

(10) **Patent No.:** **US D690,523 S**

(45) **Date of Patent:** **** Oct. 1, 2013**

(54) **OFFICE CHAIR**

(75) Inventor: **Myong Kyu Choi**, Sunnam-Si (KR)

(73) Assignee: **Patra Co., Ltd** (KR)

(**) Term: **14 Years**

(21) Appl. No.: **29/346,874**

(22) Filed: **Nov. 6, 2009**

(51) **LOC (9) Cl.** **06-01**

(52) **U.S. Cl.**
USPC **D6/366**

(58) **Field of Classification Search**
USPC D6/334–336, 360–369, 374, 379–380,
D6/498, 500–502; 297/284.4, 411.27, 452.13,
297/452.19, 452.21, 452.29, 452.3, 452.56,
297/452.64

See application file for complete search history.

(56) **References Cited**

U.S. PATENT DOCUMENTS

D296,624 S *	7/1988	Bellini	D6/366
D312,536 S *	12/1990	Muller-Deisig et al.	D6/366
D346,909 S *	5/1994	Obata et al.	D6/366
D383,323 S *	9/1997	Dammermann et al.	D6/366
D410,342 S *	6/1999	Dammermann et al.	D6/366
D411,692 S *	6/1999	Ogg	D6/366
D418,316 S *	1/2000	Vogtherr	D6/366
D436,260 S *	1/2001	Nagamitsu	D6/366
D436,456 S *	1/2001	Neil	D6/366
D459,903 S *	7/2002	Lo	D6/366
D468,122 S *	1/2003	Schweikarth et al.	D6/366
D481,879 S *	11/2003	Su	D6/366
D486,656 S *	2/2004	Su	D6/366
D489,542 S *	5/2004	Giugiaro	D6/366
D490,621 S *	6/2004	Newhouse	D6/366
D497,265 S *	10/2004	Tai	D6/366
D499,564 S *	12/2004	Meda	D6/366
D507,124 S *	7/2005	Yang	D6/366
D512,232 S *	12/2005	Wu	D6/366
D514,339 S *	2/2006	Glass et al.	D6/366

D517,820 S *	3/2006	Citterio	D6/366
D535,112 S *	1/2007	Bernett et al.	D6/366
D541,062 S *	4/2007	Su	D6/366
D543,717 S *	6/2007	Chen	D6/366
D545,076 S *	6/2007	Dallmann et al.	D6/366
D546,086 S *	7/2007	Chen	D6/366
D548,994 S *	8/2007	Mao et al.	D6/366
D549,473 S *	8/2007	Wagner	D6/366
D549,977 S *	9/2007	Koepke et al.	D6/366
D552,857 S *	10/2007	Wang	D6/366
D555,377 S *	11/2007	Pensi et al.	D6/366

(Continued)

Primary Examiner — Kelley Donnelly

(74) *Attorney, Agent, or Firm* — John K. Park; Park Law Firm

(57) **CLAIM**

The ornamental design for an office chair, as shown and described.

DESCRIPTION

FIG. 1 is a perspective view of a first embodiment of an office chair showing my new design;
 FIG. 2 is a front plan view thereof;
 FIG. 3 is a rear plan view thereof;
 FIG. 4 is a right side view thereof;
 FIG. 5 is a left side view thereof;
 FIG. 6 is a top plan view thereof;
 FIG. 7 is a bottom plan view thereof;
 FIG. 8 is a perspective view of a second embodiment of an office chair showing my new design;
 FIG. 9 is a front plan view thereof;
 FIG. 10 is a rear plan view thereof;
 FIG. 11 is a right side view thereof;
 FIG. 12 is a left side view thereof;
 FIG. 13 is a top plan view thereof; and,
 FIG. 14 is a bottom plan view thereof.
 The broken line showing of environment is for illustrative purposes only and forms no part of the claimed design.

1 Claim, 14 Drawing Sheets



(56)

References Cited

U.S. PATENT DOCUMENTS

D557,024 S * 12/2007 Chen D6/366
 D557,025 S * 12/2007 Chen D6/366
 D557,914 S * 12/2007 Ong D6/366
 D563,687 S * 3/2008 Neil D6/366
 D568,624 S * 5/2008 Wen D6/366
 D571,569 S * 6/2008 Fancelli D6/366
 D572,493 S * 7/2008 Zhang D6/366
 D573,361 S * 7/2008 Kung D6/366
 D576,416 S * 9/2008 Su D6/366
 D576,813 S * 9/2008 Baldanzi et al. D6/366
 D576,814 S * 9/2008 Baldanzi et al. D6/366

D585,205 S * 1/2009 Wen D6/366
 D607,653 S * 1/2010 Wilkinson et al. D6/366
 D608,557 S * 1/2010 Maeyama D6/366
 D610,822 S * 3/2010 Chen D6/366
 D613,085 S * 4/2010 Fujita D6/366
 D613,087 S * 4/2010 Fujita D6/366
 D627,983 S * 11/2010 Wakasugi et al. D6/366
 D667,231 S * 9/2012 Citterio D6/366
 D670,927 S * 11/2012 Hurford D6/366
 D671,759 S * 12/2012 Hurford D6/366
 D673,384 S * 1/2013 Yang D6/366
 D675,456 S * 2/2013 Sexton D6/366
 D676,254 S * 2/2013 Chen D6/366

* cited by examiner



Fig. 1

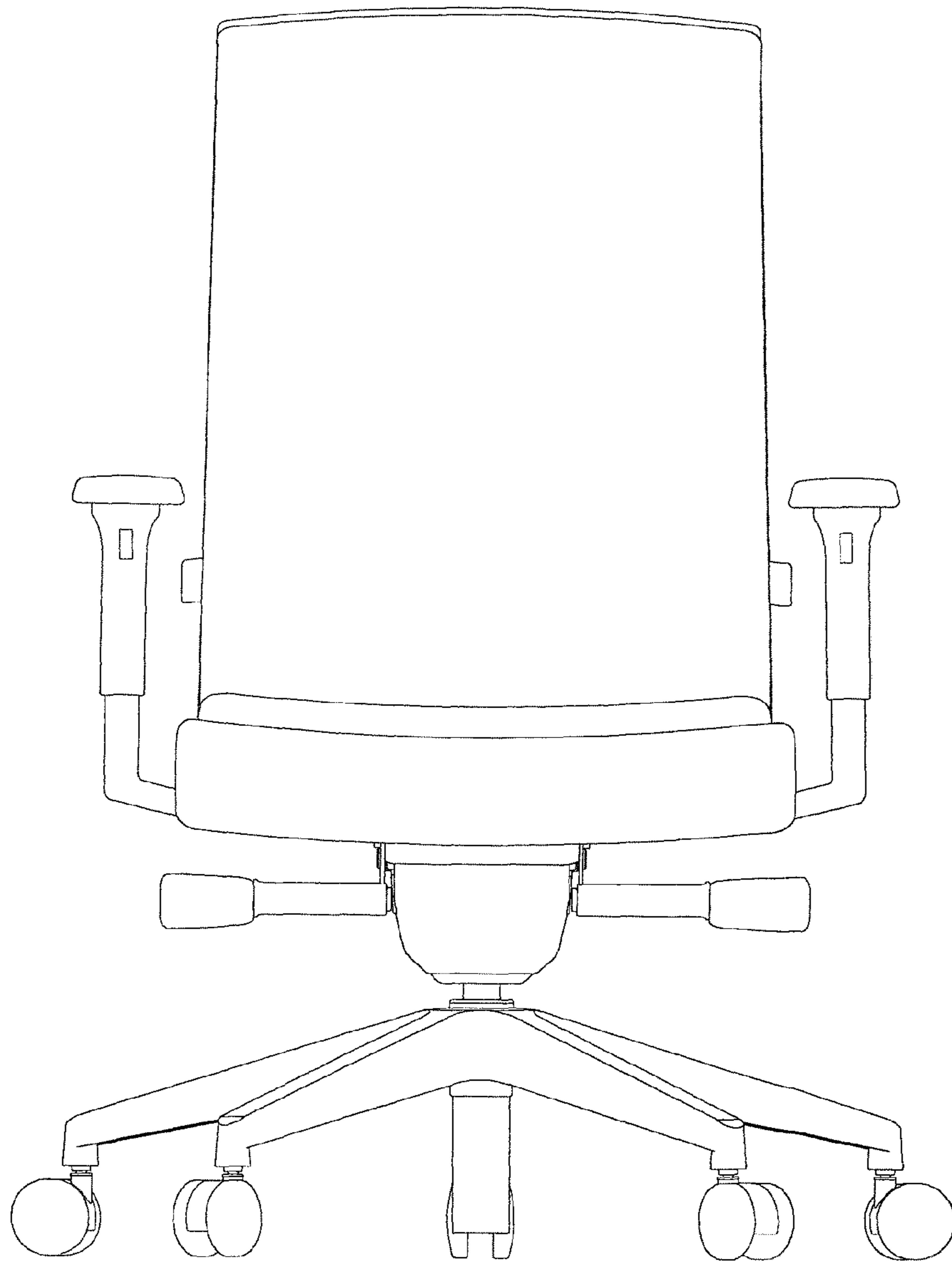


Fig. 2

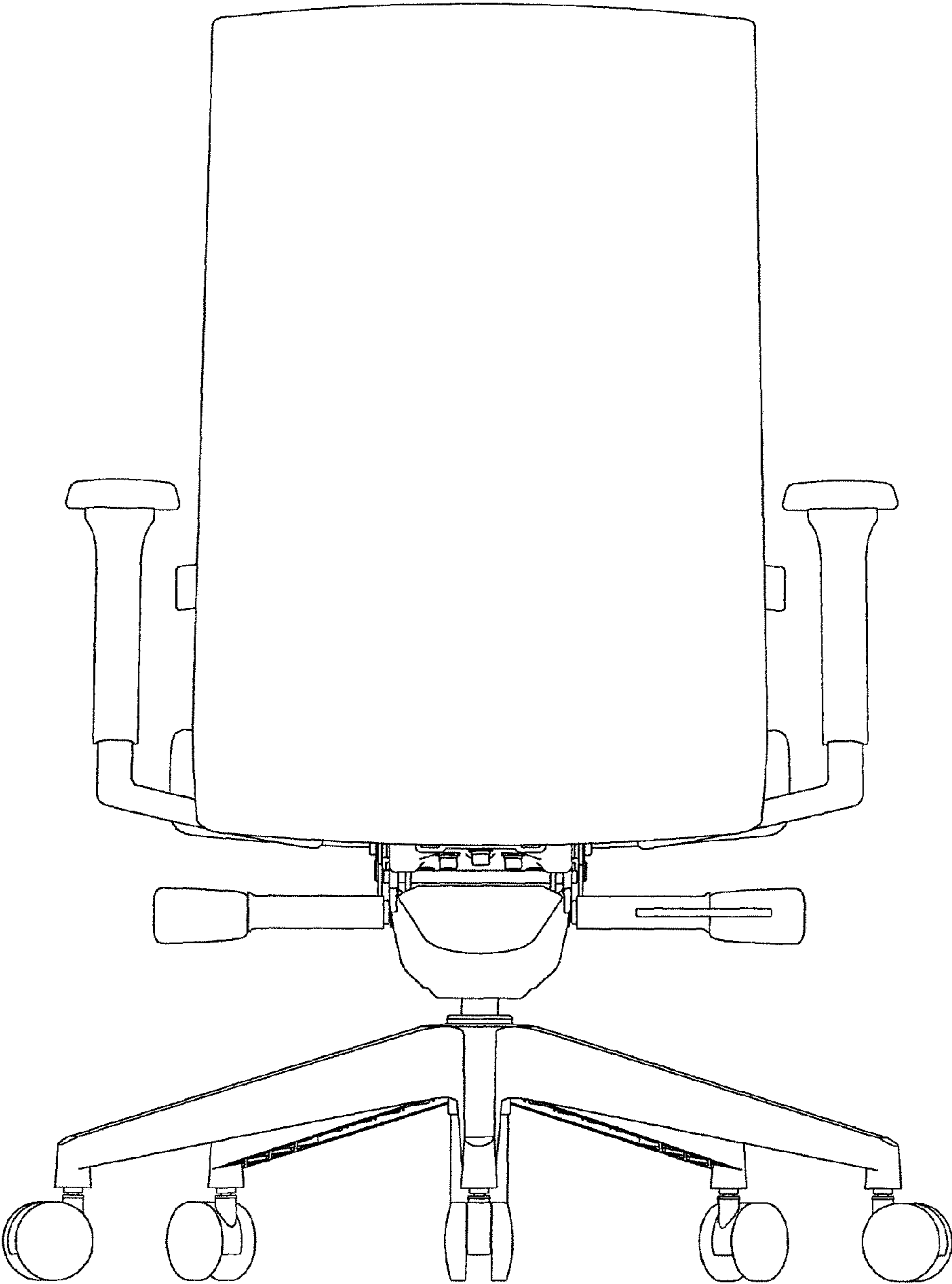


Fig. 3

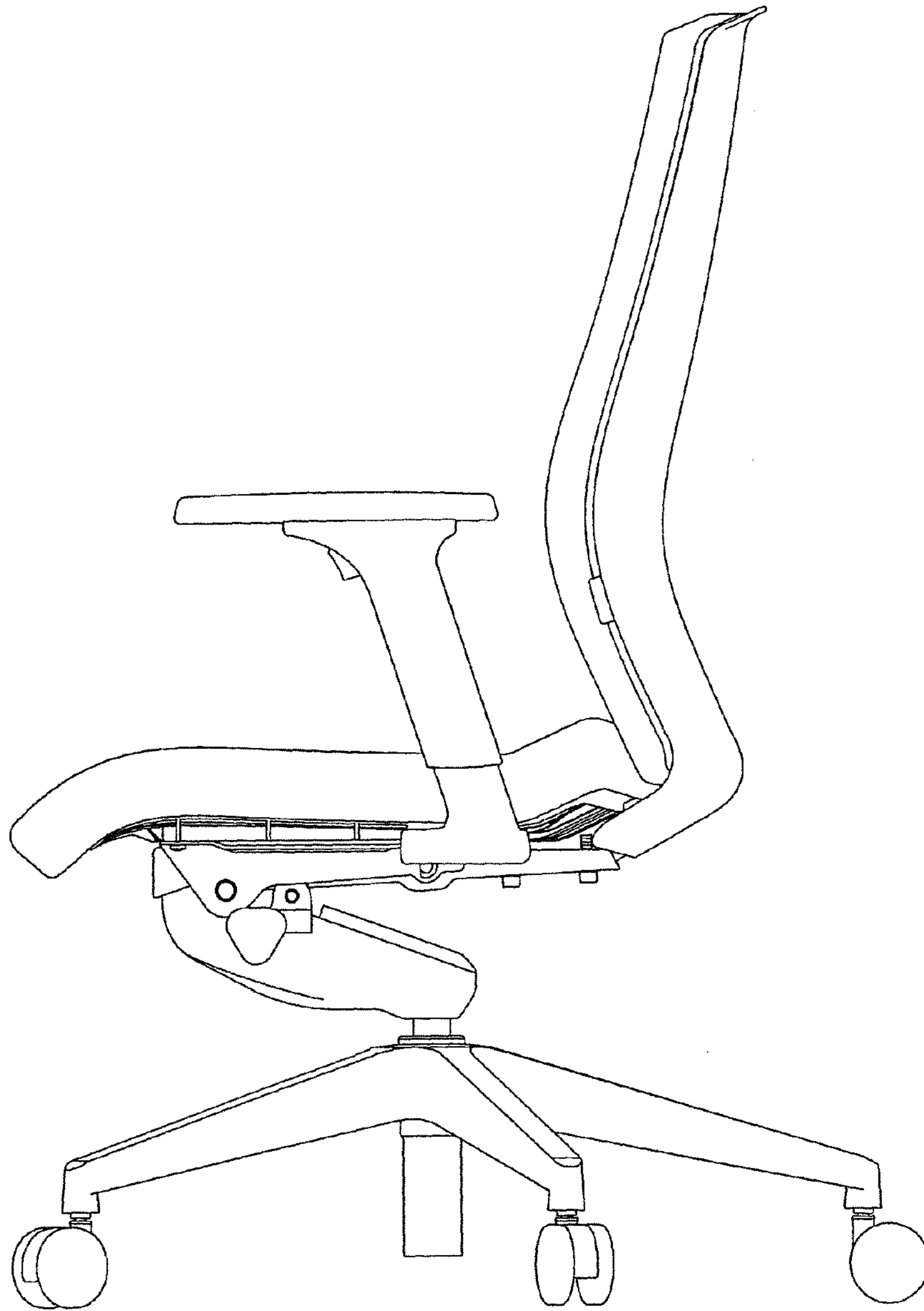


Fig. 4

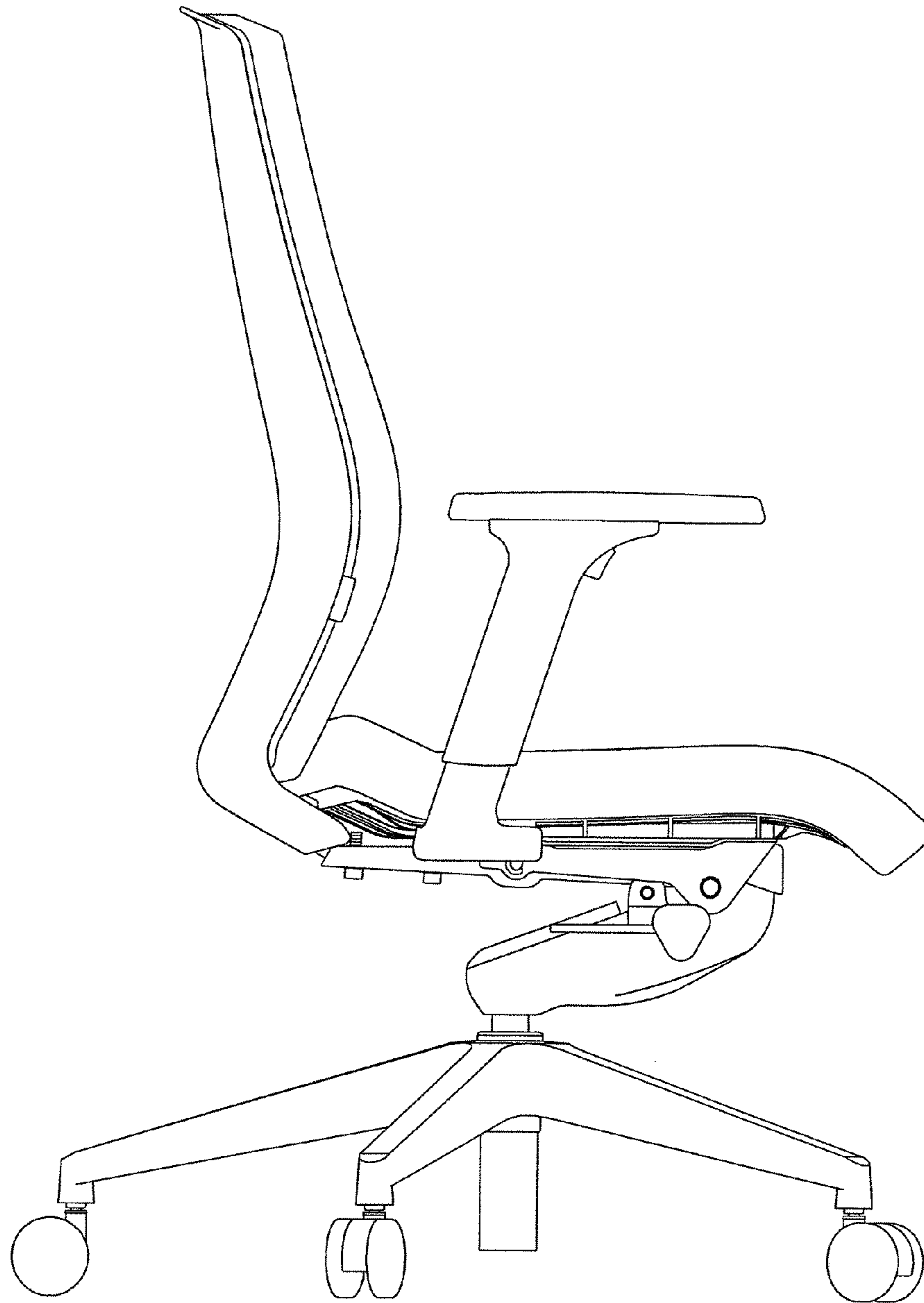


Fig. 5

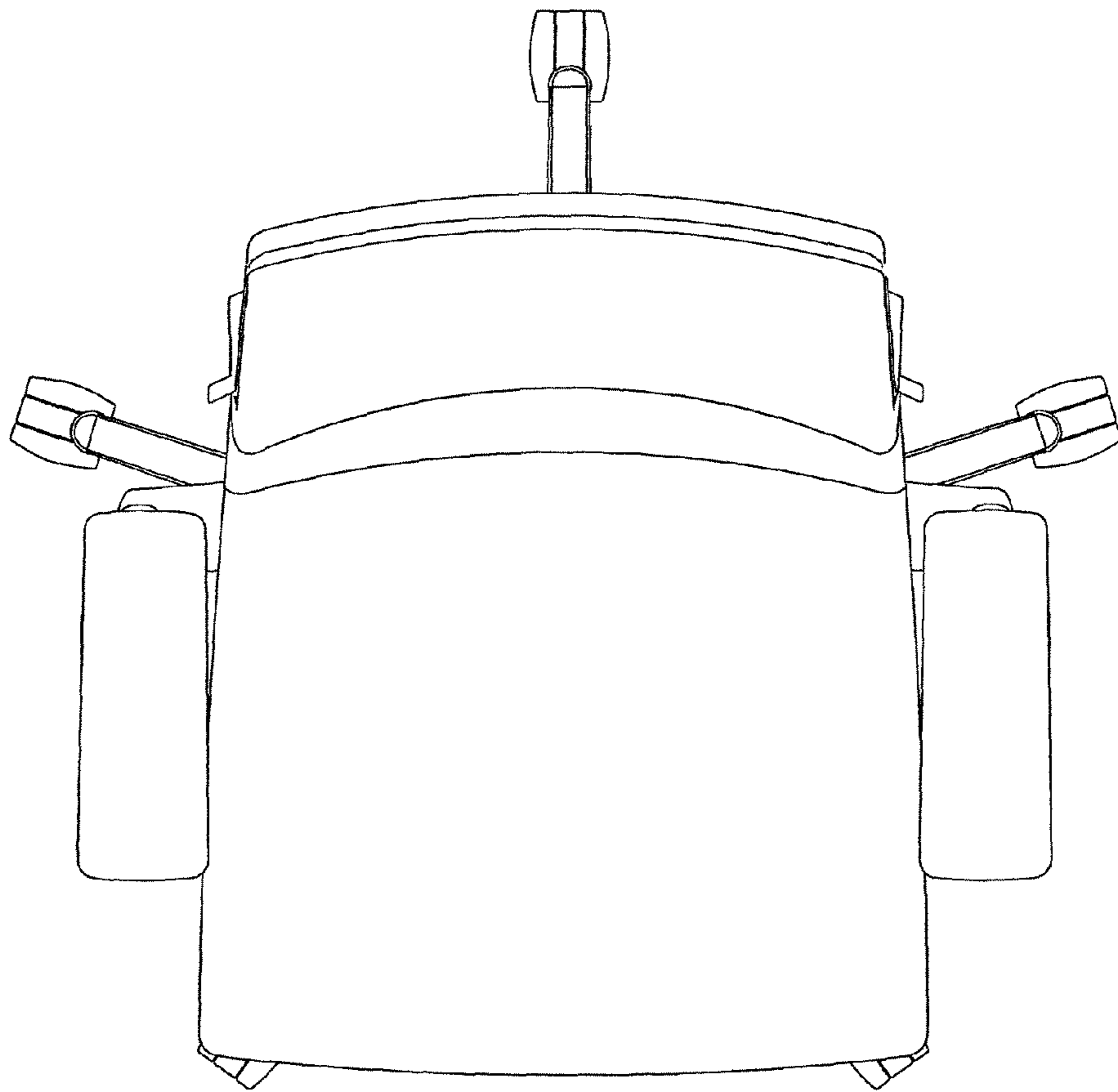


Fig. 6

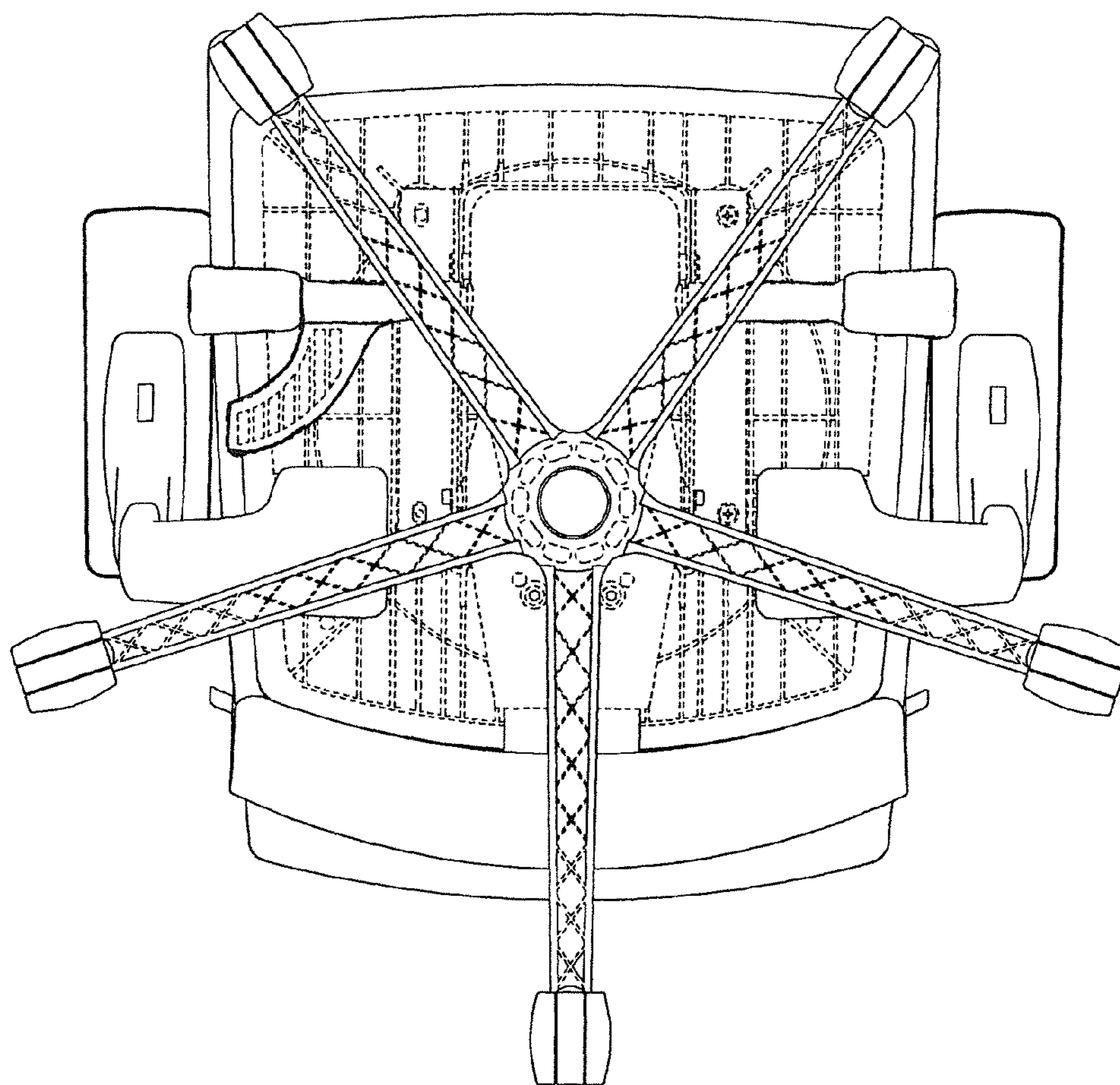


Fig. 7



Fig. 8

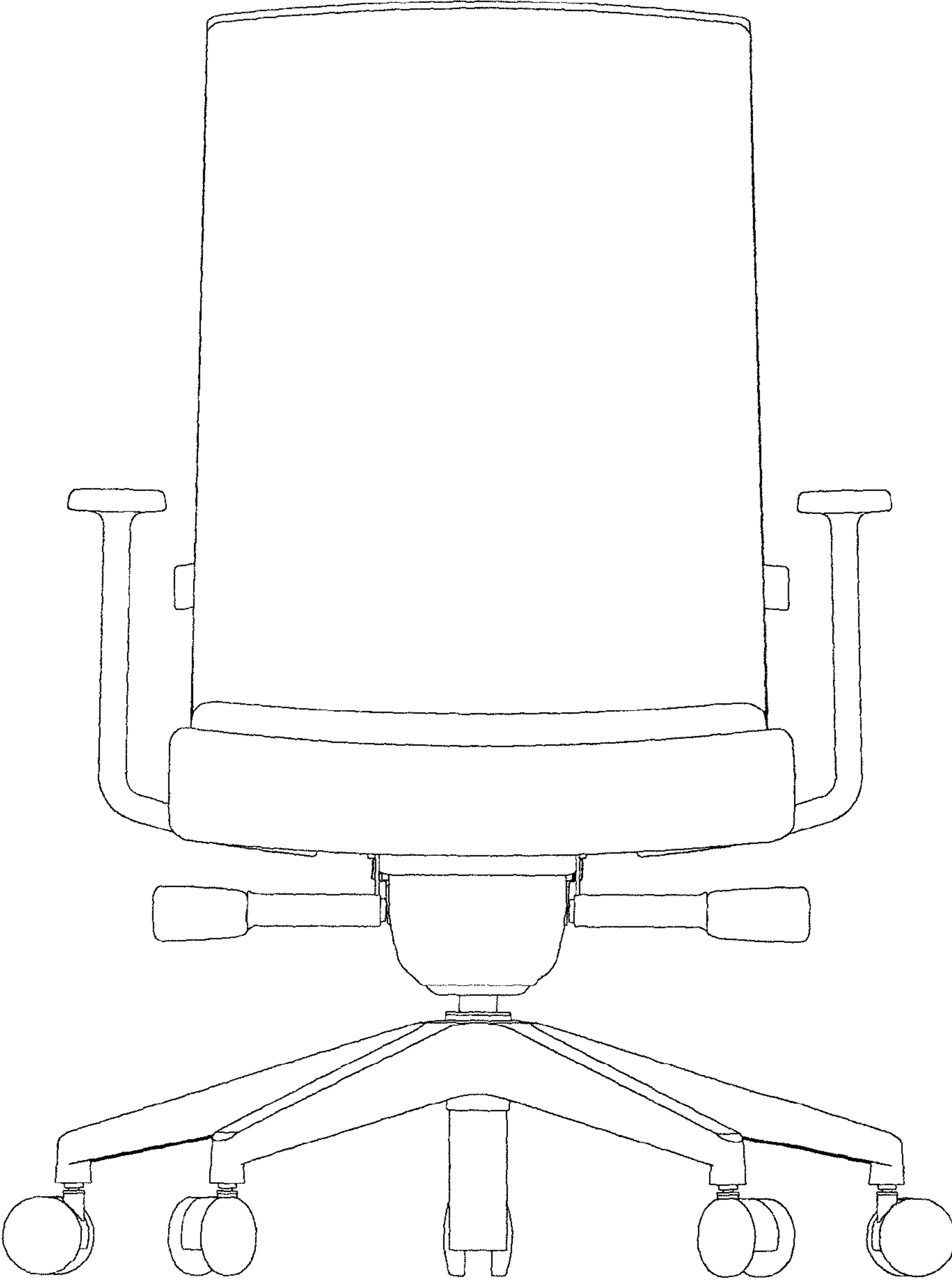


Fig. 9

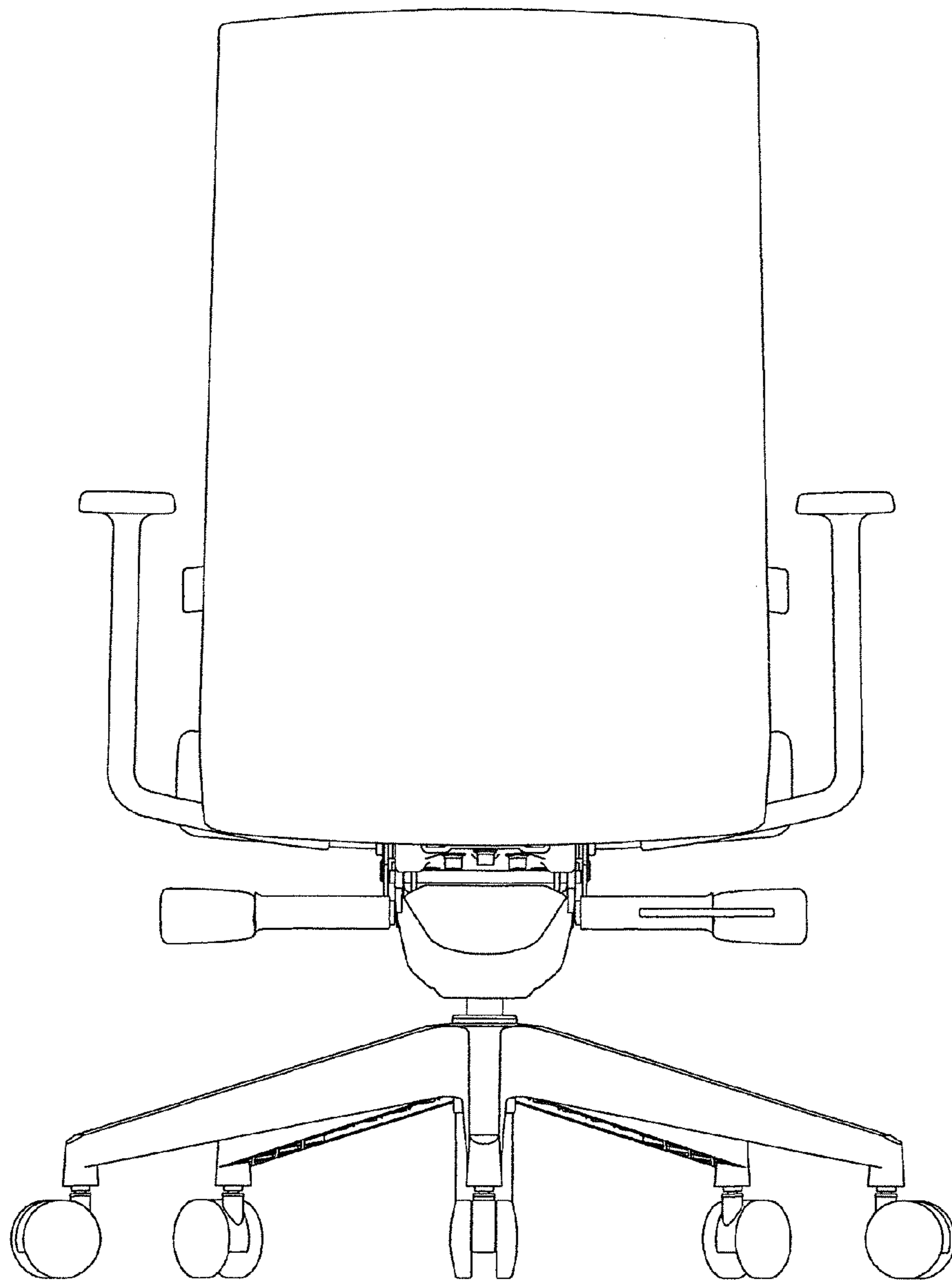


Fig. 10

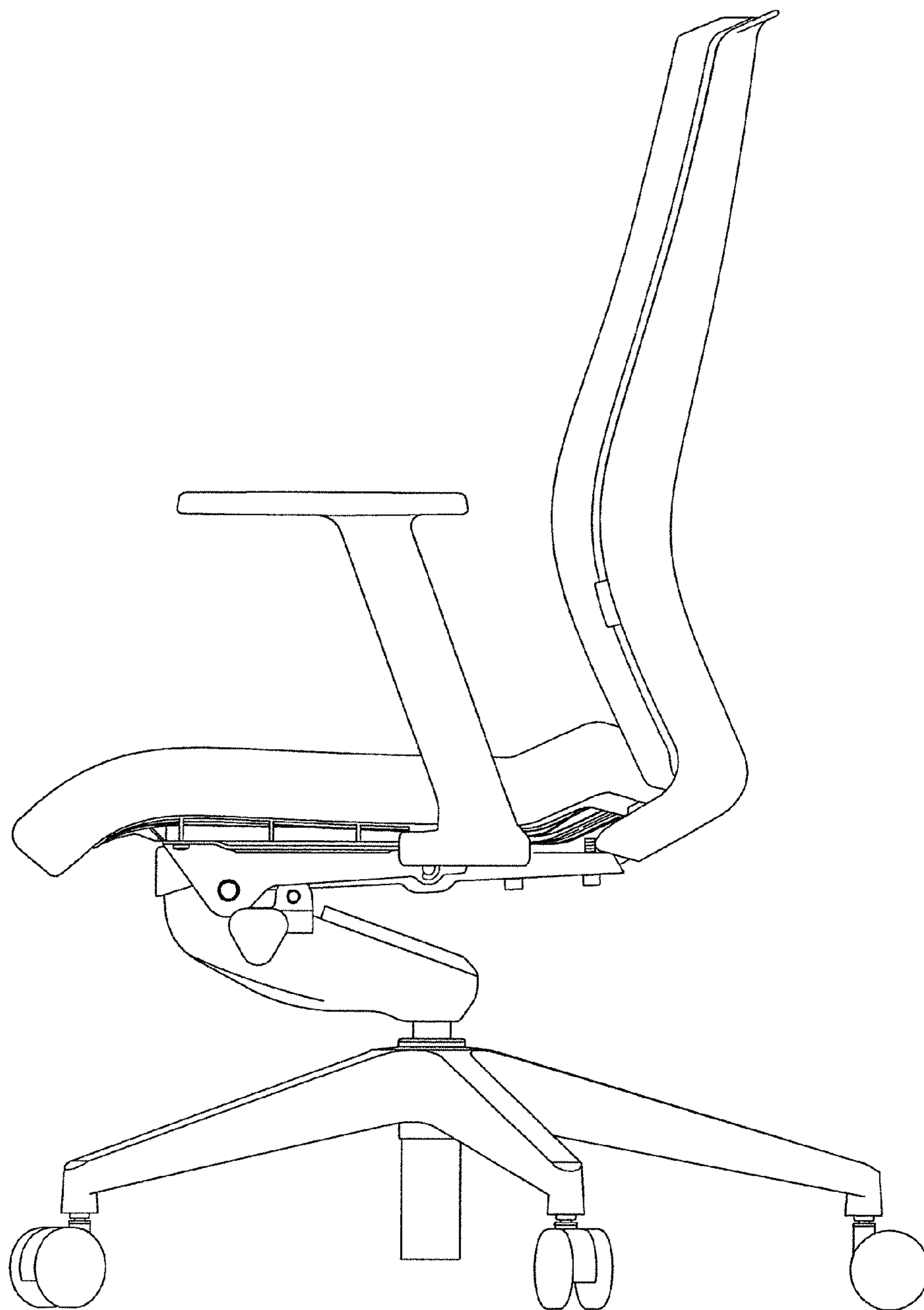


Fig. 11

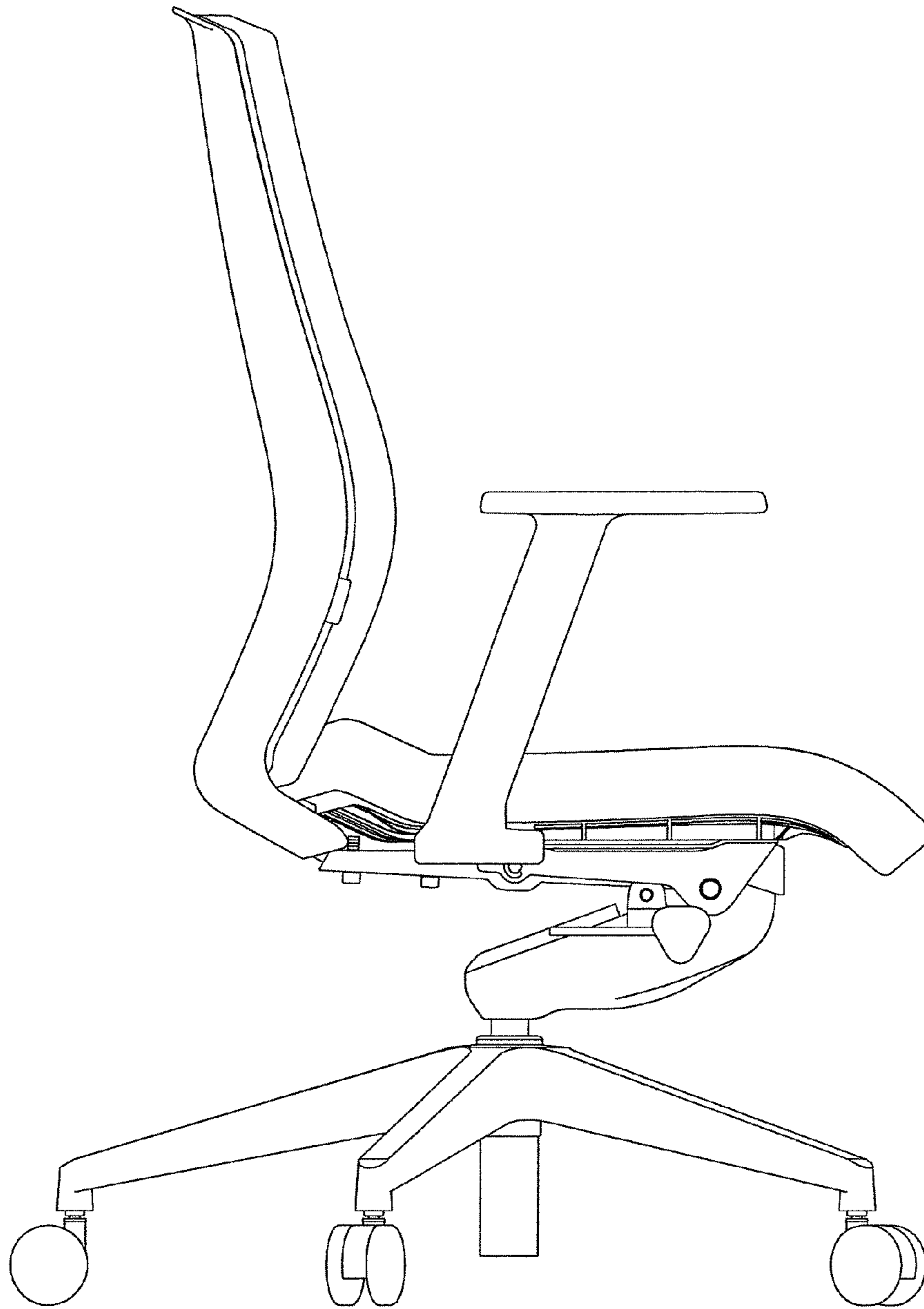


Fig. 12

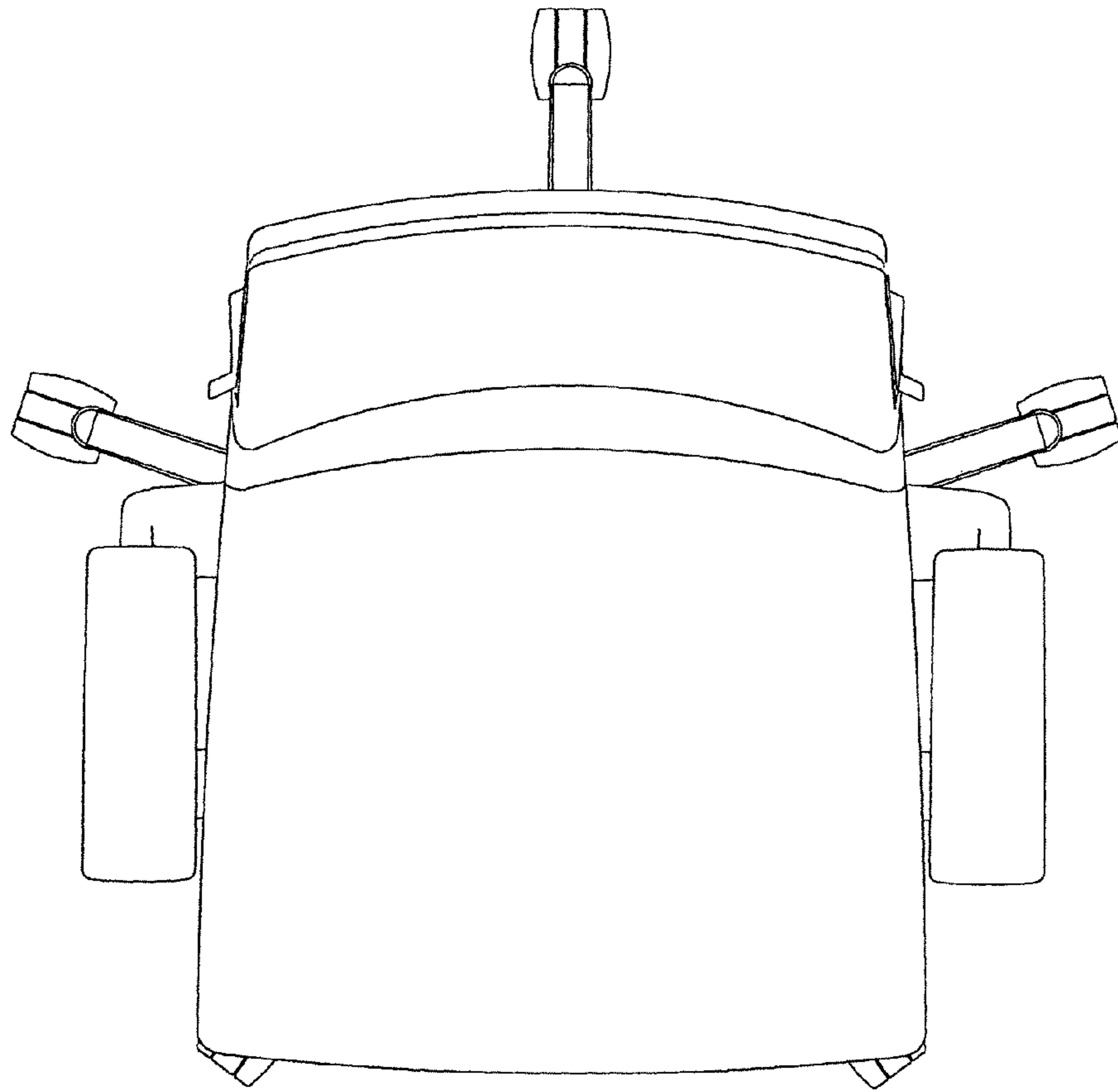


Fig. 13

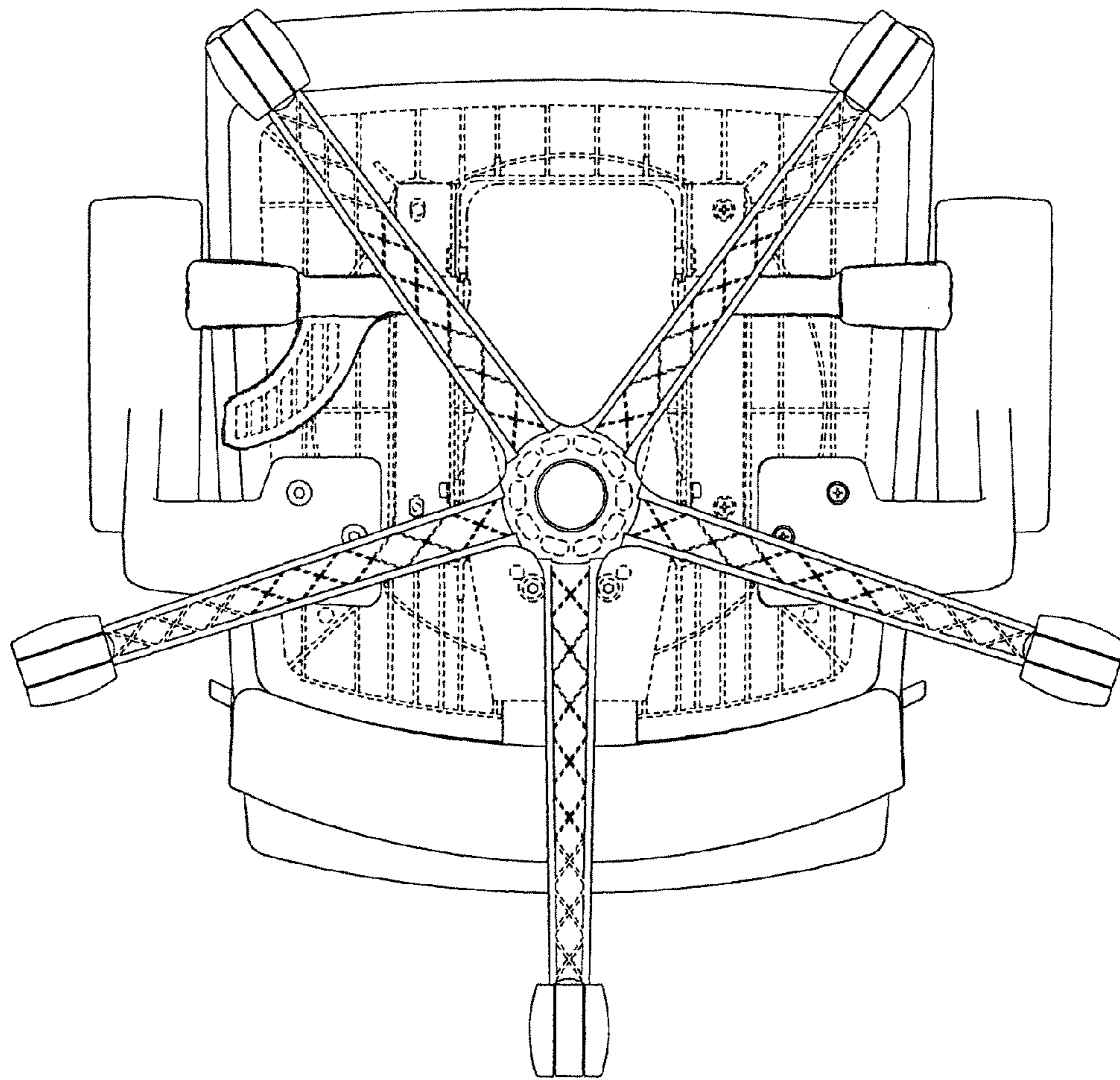


Fig. 14