



US00D690521S

(12) **United States Design Patent**  
**Gillett**

(10) **Patent No.:** **US D690,521 S**

(45) **Date of Patent:** **\*\* Oct. 1, 2013**

(54) **SWING**

(75) **Inventor:** **Sharon A. Gillett, Stowe, OH (US)**

(73) **Assignee:** **Wonderland Nurserygoods Company Limited, Central (HK)**

(\*\*) **Term:** **14 Years**

(21) **Appl. No.:** **29/432,060**

(22) **Filed:** **Sep. 13, 2012**

(51) **LOC (9) Cl.** ..... **06-01**

(52) **U.S. Cl.**  
USPC ..... **D6/344**

(58) **Field of Classification Search**  
USPC ..... D6/333, 334, 335, 336, 344, 347,  
D6/715, 716, 716.1, 716.2, 716.4; D21/412;  
297/250.1, 258.1, 260.1, 296, 440.11, 452.12,  
297/452.13, 452.19, 452.2, 354.12; 472/118,  
472/119

See application file for complete search history.

(56) **References Cited**

**U.S. PATENT DOCUMENTS**

7,837,570	B2 *	11/2010	Kwon	472/119
7,878,915	B2 *	2/2011	Myers et al.	472/119
7,905,791	B2 *	3/2011	Guang et al.	472/119
D655,521	S *	3/2012	Zhang et al.	D6/344
2006/0270480	A1 *	11/2006	Chen	472/118
2006/0276253	A1 *	12/2006	Chen	472/119
2007/0049390	A1 *	3/2007	Wu et al.	472/118
2008/0194349	A1 *	8/2008	Kwon	472/118
2009/0284058	A1 *	11/2009	Gillett	297/258.1

2010/0062867	A1 *	3/2010	Chen	472/119
2010/0267457	A1 *	10/2010	Zhang	472/118
2011/0070958	A1 *	3/2011	Zhang	472/118
2011/0092301	A1 *	4/2011	Myers et al.	472/119
2011/0105237	A1 *	5/2011	Gillett et al.	472/118
2011/0275445	A1 *	11/2011	Tuckey et al.	472/119
2012/0046117	A1 *	2/2012	Zhang et al.	472/119
2012/0083349	A1 *	4/2012	Lin	472/119
2013/0012329	A1 *	1/2013	Burns et al.	472/118
2013/0119736	A1 *	5/2013	Miller et al.	297/354.12

\* cited by examiner

*Primary Examiner* — Mimoso De

(74) *Attorney, Agent, or Firm* — Bacon & Thomas, PLLC

(57) **CLAIM**

The ornamental design for a swing, as shown and described.

**DESCRIPTION**

FIG. 1 is a perspective view of a swing in accordance with my new design;

FIG. 2 is a front view of FIG. 1;

FIG. 3 is a rear view of FIG. 1;

FIG. 4 is a top view of FIG. 1;

FIG. 5 is a bottom view of FIG. 1;

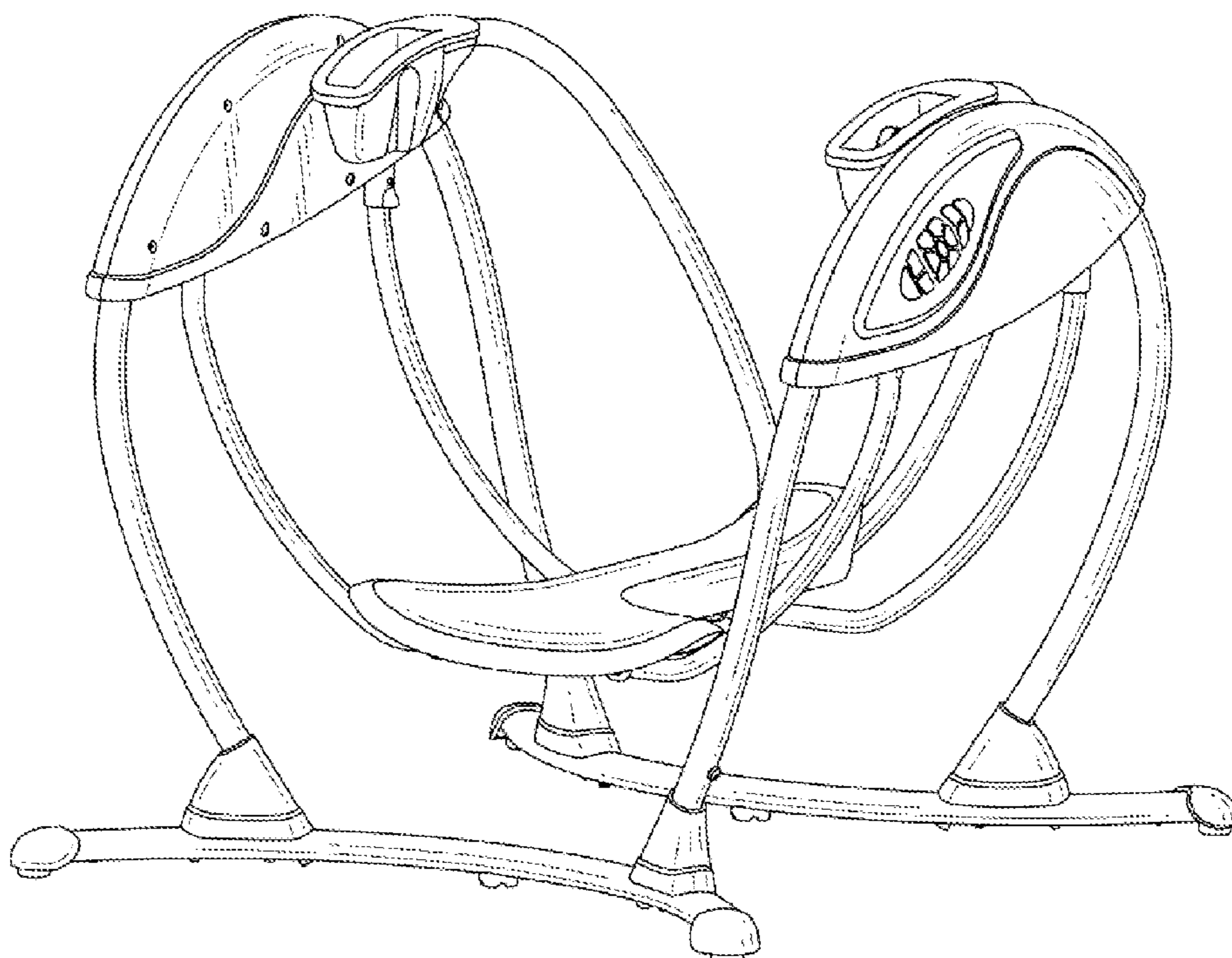
FIG. 6 is a left side view of FIG. 1;

FIG. 7 is a right side view of FIG. 1; and,

FIG. 8 is a perspective view showing the swing shown in FIG. 1 in use.

The broken lines shown in the drawing are for illustrative purposes only and form no part of the claimed design.

**1 Claim, 5 Drawing Sheets**



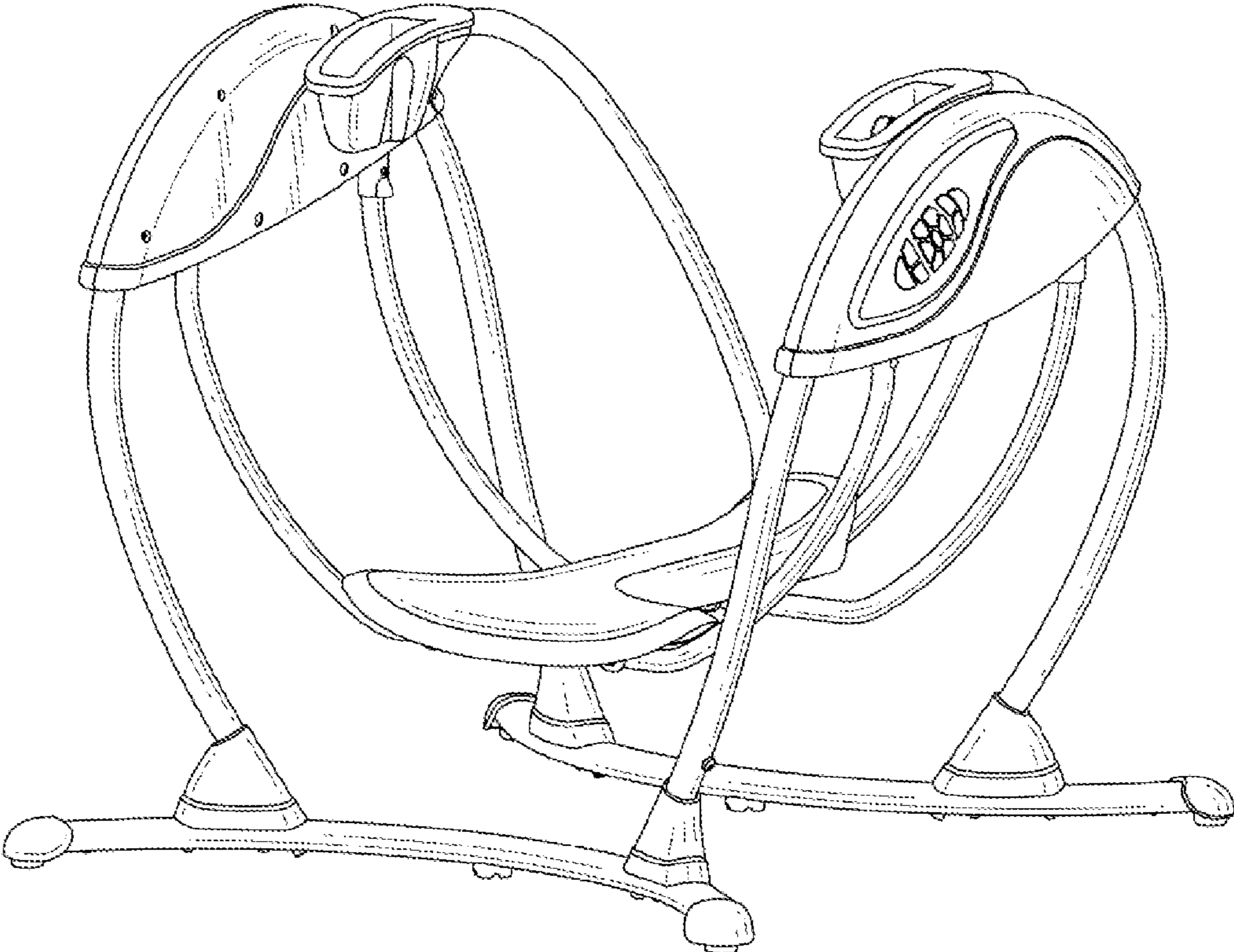


FIG. 1

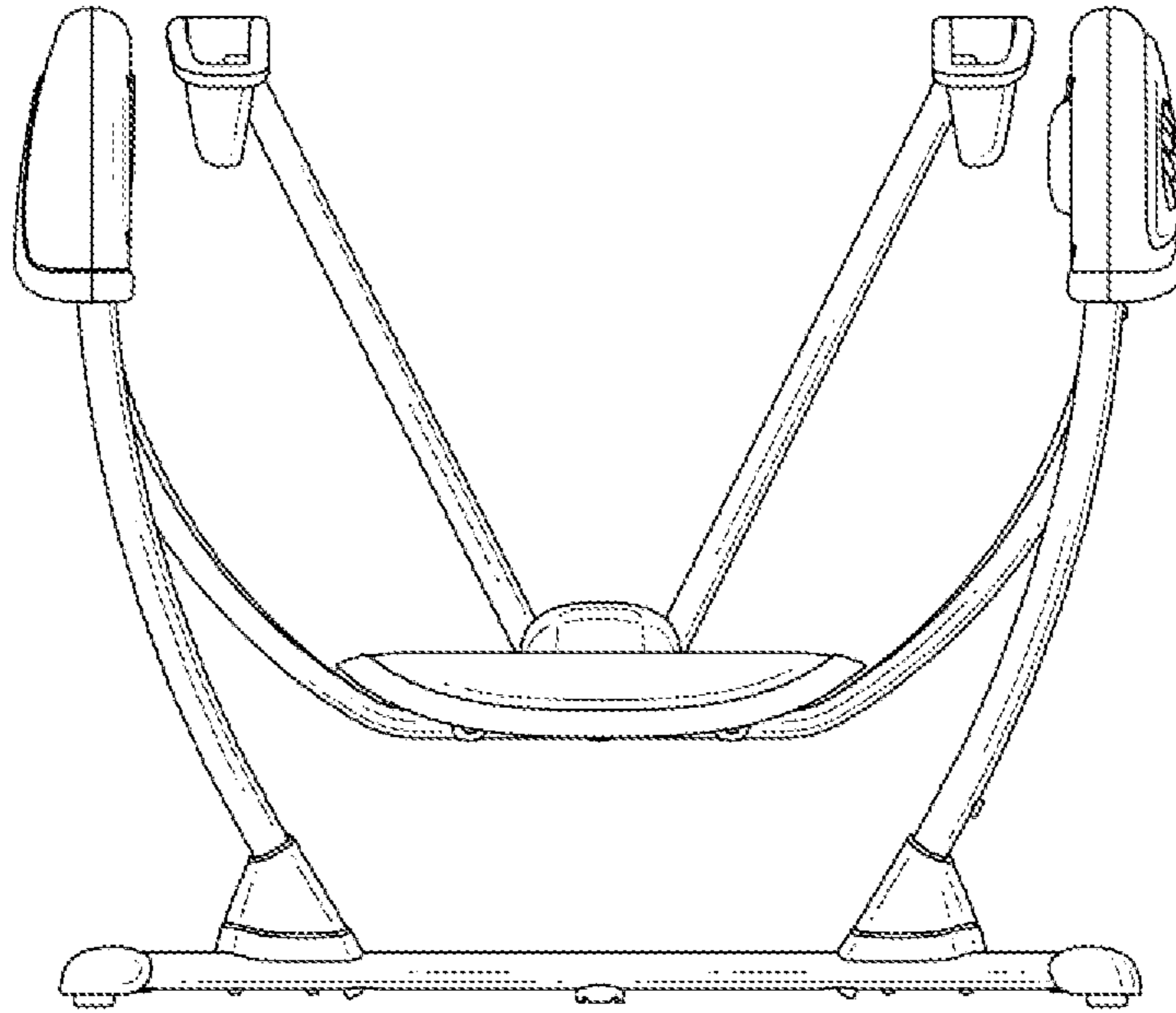


FIG. 2

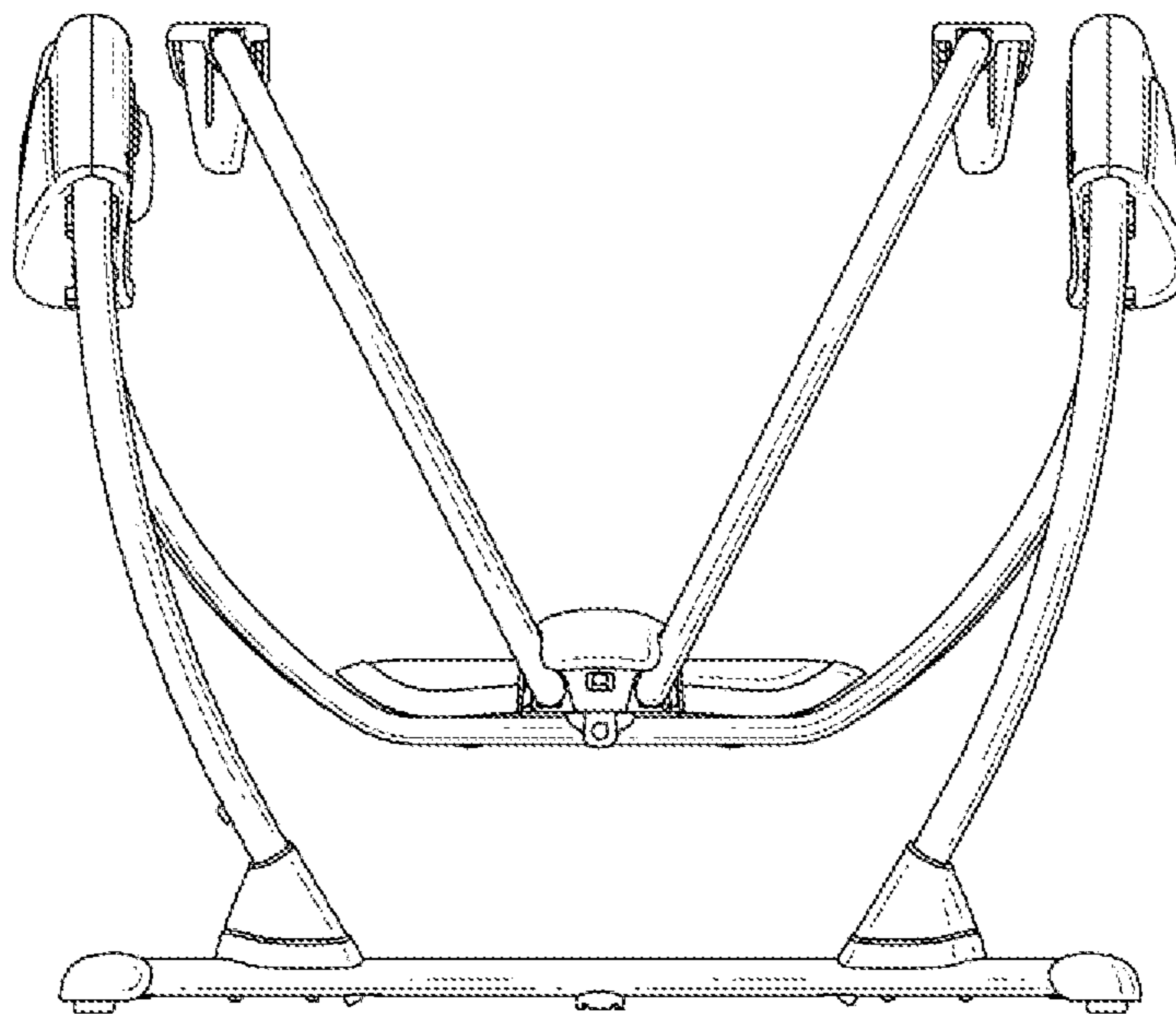


FIG. 3

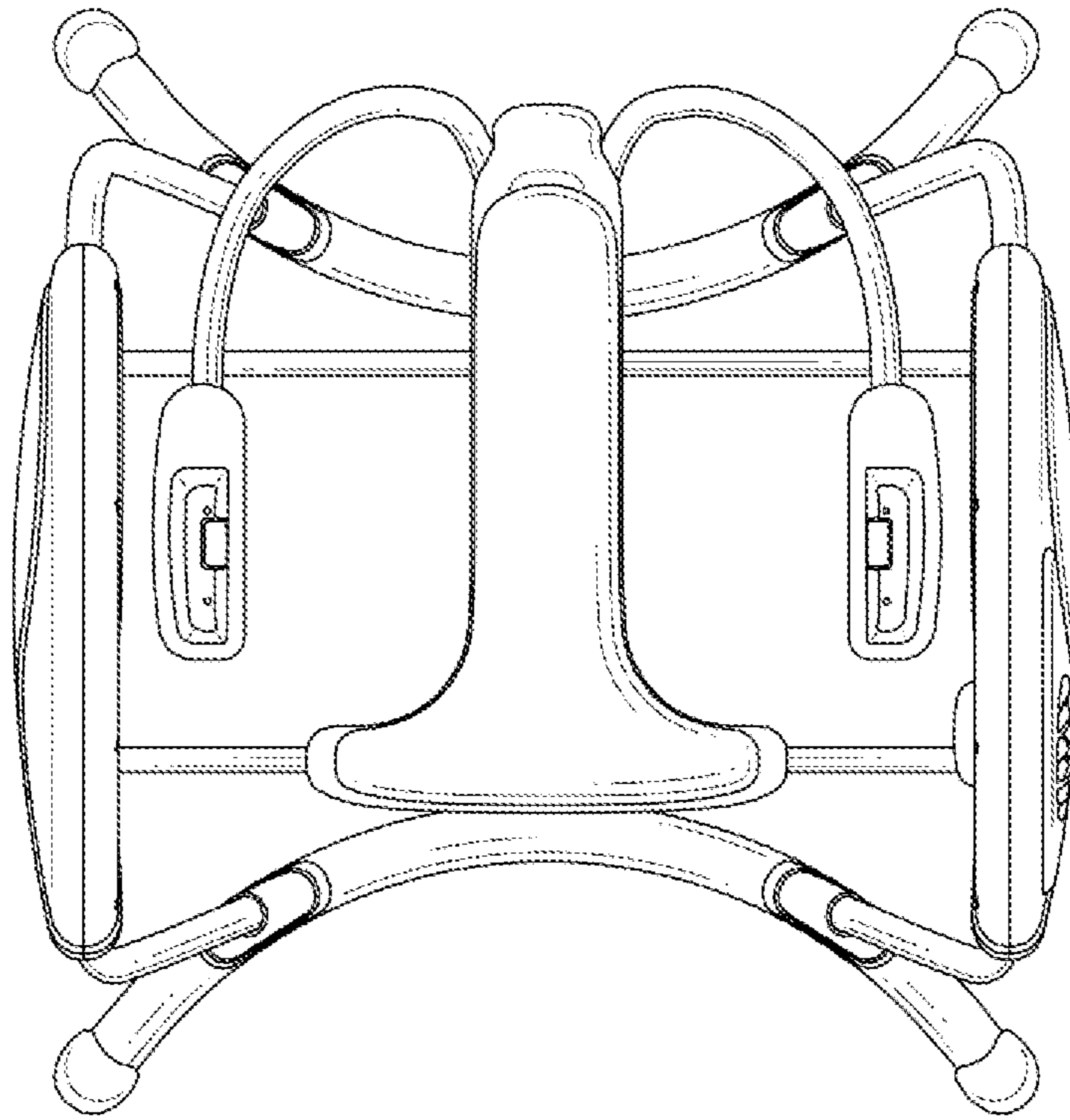


FIG. 4

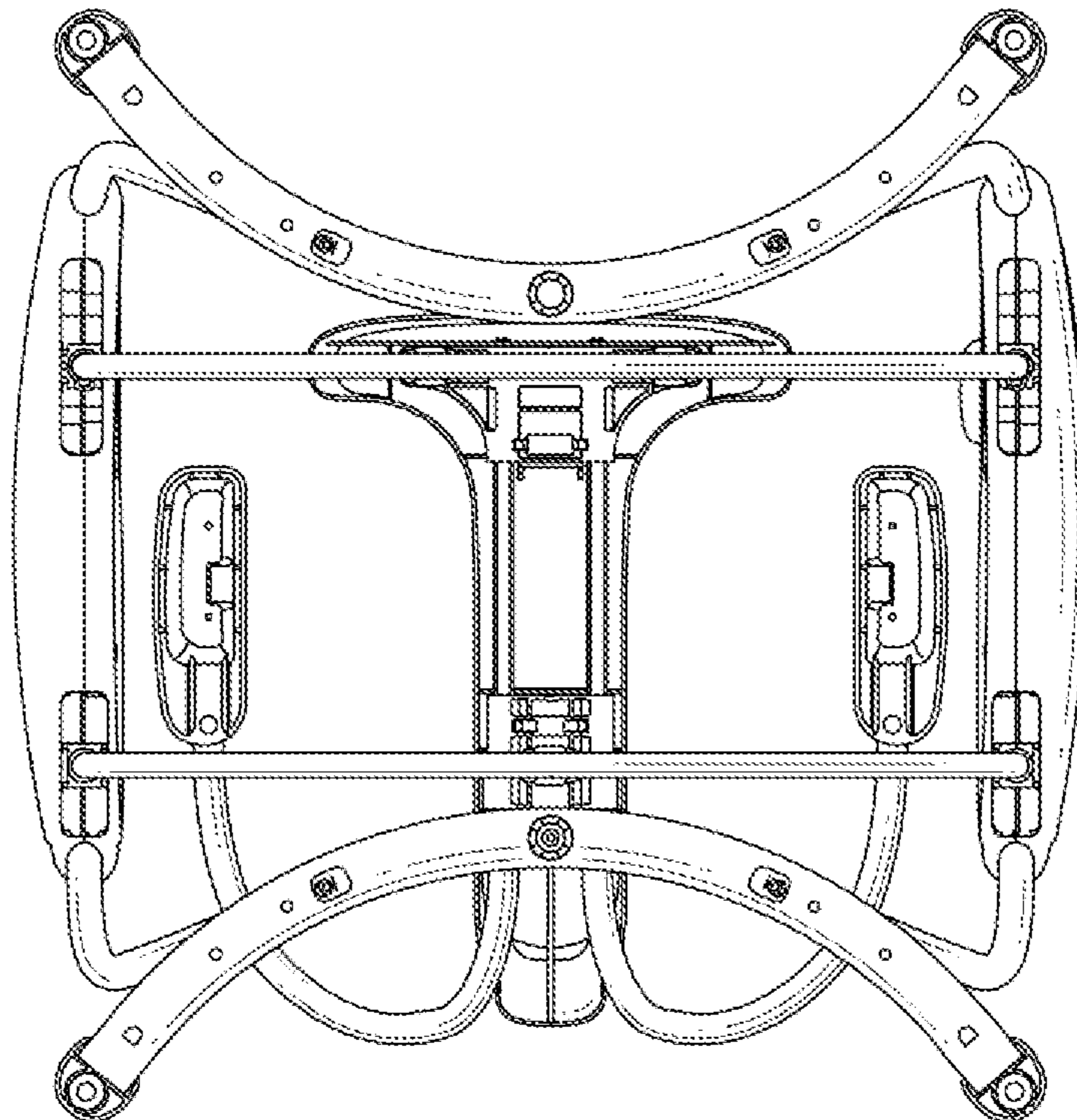


FIG. 5

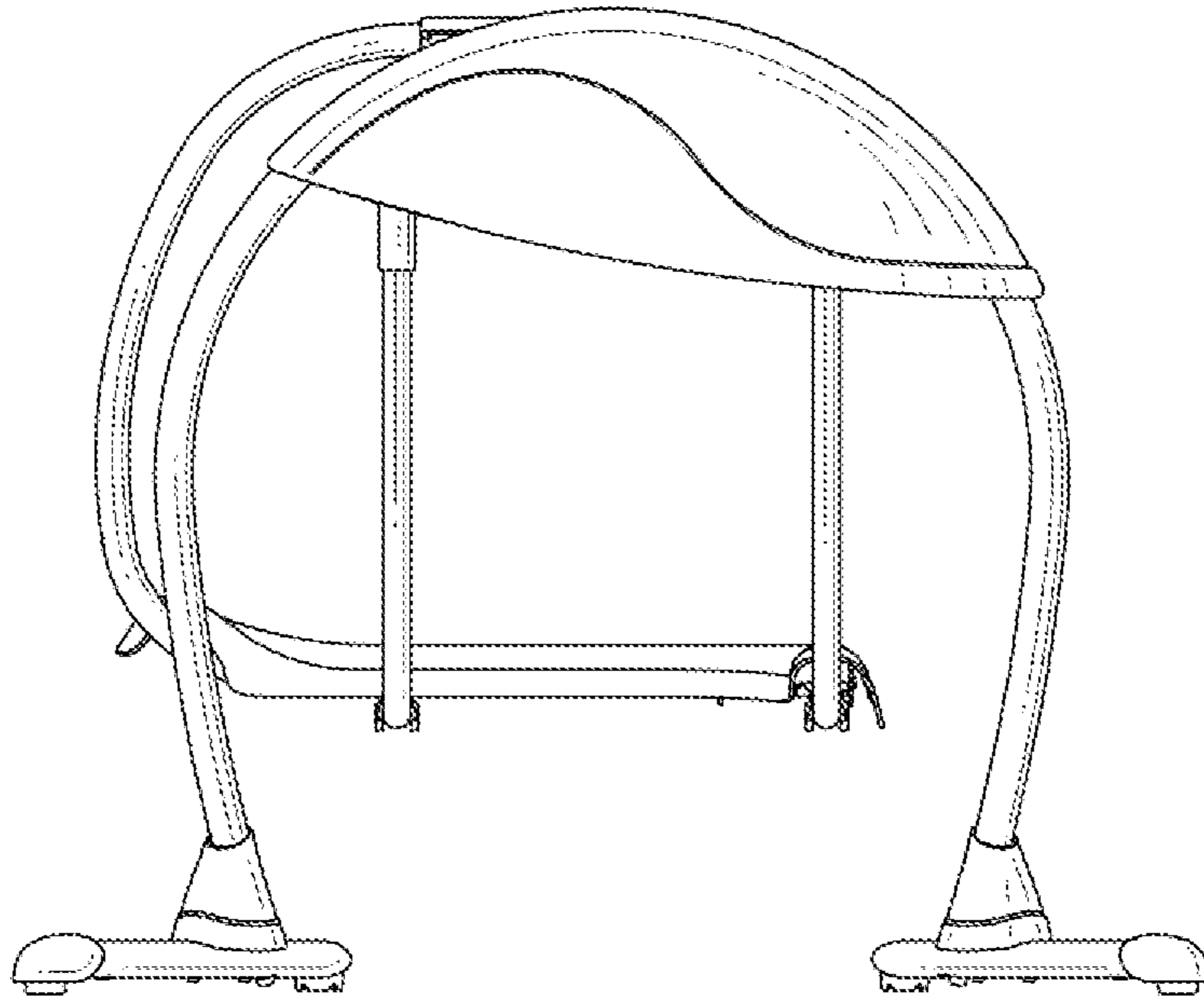


FIG. 6

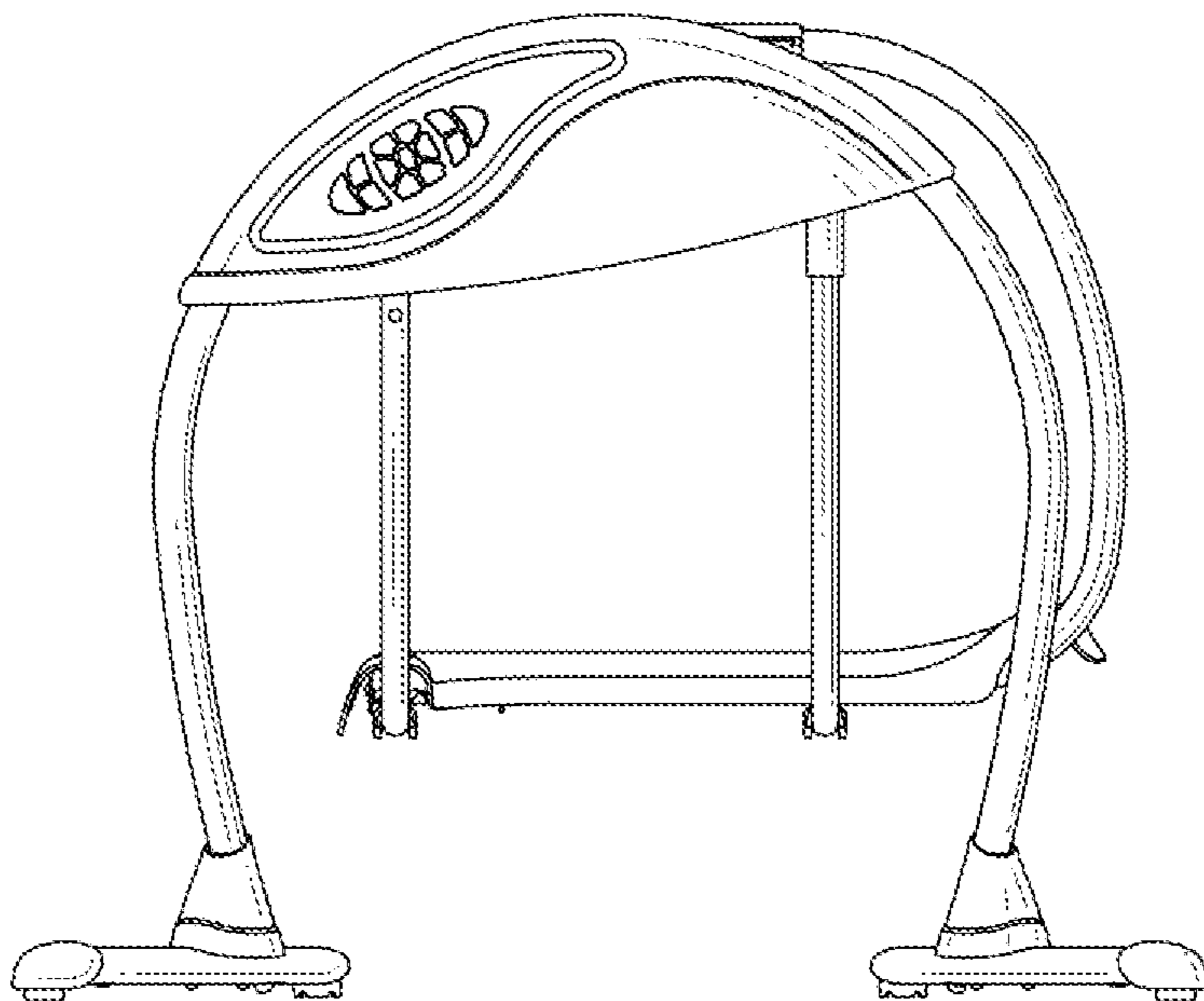


FIG. 7

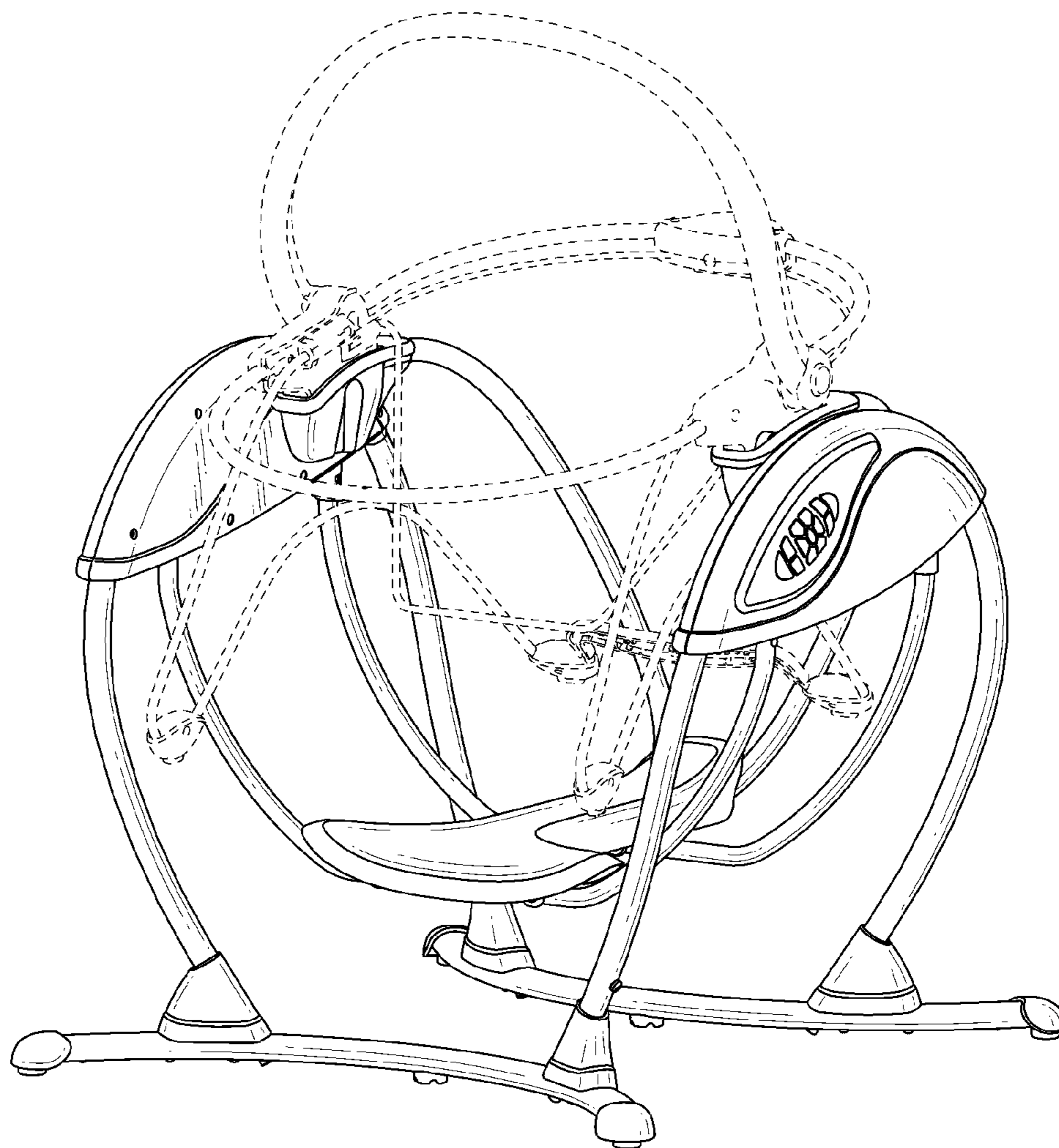


FIG. 8